

US00D950996S

(12) **United States Design Patent**
Kilian et al.

(10) **Patent No.:** **US D950,996 S**

(45) **Date of Patent:** **** May 10, 2022**

(54) **DESK PARTITION**

(71) Applicant: **Arktura LLC**, Gardena, CA (US)

(72) Inventors: **Robert Kilian**, Venice, CA (US); **Chris Kabatsi**, Venice, CA (US); **Kevin Kane**, Los Angeles, CA (US); **John Johnston**, Beaumont, CA (US)

(73) Assignee: **ARKTURA LLC**, Gardena, CA (US)

(**) Term: **15 Years**

(21) Appl. No.: **29/733,654**

(22) Filed: **May 5, 2020**

(51) **LOC (13) Cl.** **06-06**

(52) **U.S. Cl.**
USPC **D6/714**

(58) **Field of Classification Search**
USPC D6/332, 641, 702, 706, 713, 714, 643;
D19/99
CPC E04B 2/7401; E04B 2/7405; E04B 2/74;
E04B 2/7403; E04B 2/7407; E04B
2/7409; E04B 2/7416; E04B 2/7422;
E04B 2002/7466; E04B 2002/798; E04B
2002/7487; E04B 2002/7496; A47B
17/00; A47B 83/00; A47B 13/08; A47B
77/022; A47B 65/15; A47B 21/03
See application file for complete search history.

(56) **References Cited**

U.S. PATENT DOCUMENTS

3,326,147	A *	6/1967	Toney	A47B 17/00 108/27
D210,464	S *	3/1968	Howlett	D6/643
5,890,782	A *	4/1999	Alberts	A47B 17/00 312/196
D457,359	S	5/2002	Chan		
6,769,747	B2 *	8/2004	Chan	A47B 17/003 108/157.16
D520,263	S *	5/2006	Nobles	D6/332

D521,279	S *	5/2006	Bouroullec	D6/332
D540,565	S *	4/2007	Nakamura	D6/643
D560,072	S *	1/2008	Willis	D6/332
D615,919	S *	5/2010	Bock	D12/345

(Continued)

OTHER PUBLICATIONS

Round Pet Acoustic Screen for Single Desk by Narbutas, first available: unknown. Sohomod.com [online], [site visited Sep. 8, 2021], Internet URL: <https://www.sohomod.com/office/desk-screens-and-dividers/round-pet-acoustic-desk-screen.html>? (Year: 2021).*

(Continued)

Primary Examiner — Steven J Czyn

Assistant Examiner — Hillary Catherine Shepard

(74) *Attorney, Agent, or Firm* — The Belles Group, PC

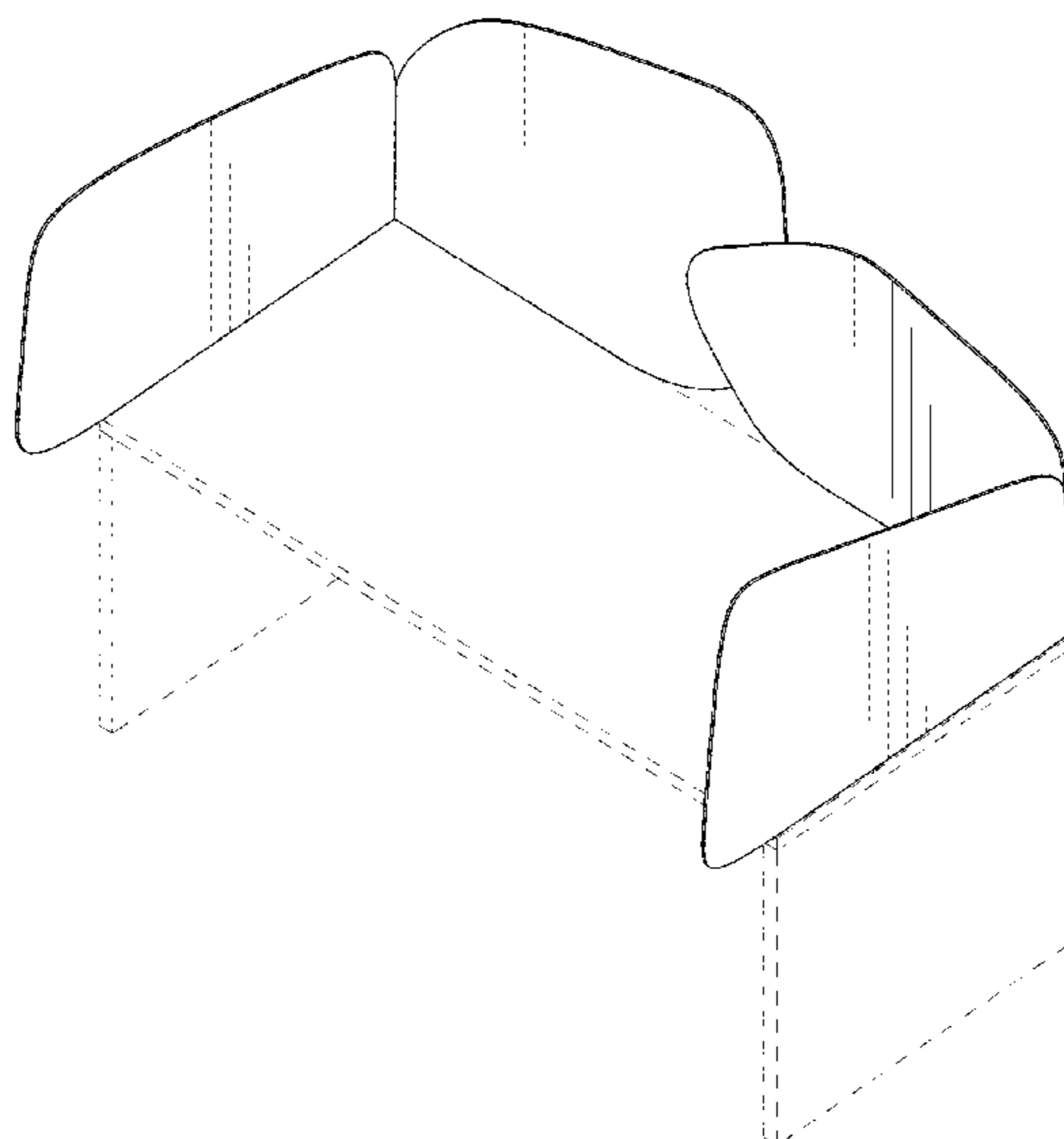
(57) **CLAIM**

The ornamental design for a desk partition, as shown and described.

DESCRIPTION

FIG. 1 is a top, front, right perspective view of a desk partition showing our new design;
FIG. 2 is a front elevation view of the desk partition of FIG. 1;
FIG. 3 is a rear elevation view of the desk partition of FIG. 1;
FIG. 4 is a left side elevation view of the desk partition of FIG. 1;
FIG. 5 is a right side elevation view of the desk partition of FIG. 1;
FIG. 6 is a top plan view of the desk partition of FIG. 1; and,
FIG. 7 is a bottom plan view of the desk partition of FIG. 1. The broken lines depict portions of the article that form no part of the claimed design.

1 Claim, 7 Drawing Sheets



(56)

References Cited

U.S. PATENT DOCUMENTS

D621,330	S	*	8/2010	Bock	D12/345
D653,862	S		2/2012	Hairston		
D758,777	S	*	6/2016	McKenna	D6/717
D774,339	S	*	12/2016	Parshad	D6/714
D777,459	S	*	1/2017	Parshad	D6/332
9,920,520	B2	*	3/2018	Udagawa	E04B 2/7405
D824,195	S	*	7/2018	Ezure	D6/714
D824,706	S		8/2018	Yamamoto		
D861,379	S	*	10/2019	Citterio	D6/643
D868,504	S	*	12/2019	Lowrey	D6/643
D907,406	S	*	1/2021	Udagawa	D6/643
2014/0345502	A1	*	11/2014	Flanet	A47B 13/00 108/60

OTHER PUBLICATIONS

PAIS Adaptable Privacy Screen by Brigitta Nemeth, first available: Dec. 15, 2016. Youtube.com [online], [site visited: Sep. 14, 2021], Internet URL: <https://www.youtube.com/watch?v=e-fuG20Ysx0> (Year: 2016).*

SoundSorb Desktop Privacy Panel by Versare, first available: (unknown). Versare.com [online], [site visited Sep. 8, 2021], Internet URL: <https://www.versare.com/high-density-desktop-privacy-panels-fofts/> (Year: 2021).*

WorkScreen by Arktura, first available: Jul. 1, 2020. Archdaily.com [online], [site visited Sep. 15, 2021], Internet URL: <https://www.archdaily.com/catalog/us/products/19521/desk-partitions-workscreen-arktura> (Year: 2020).*

* cited by examiner

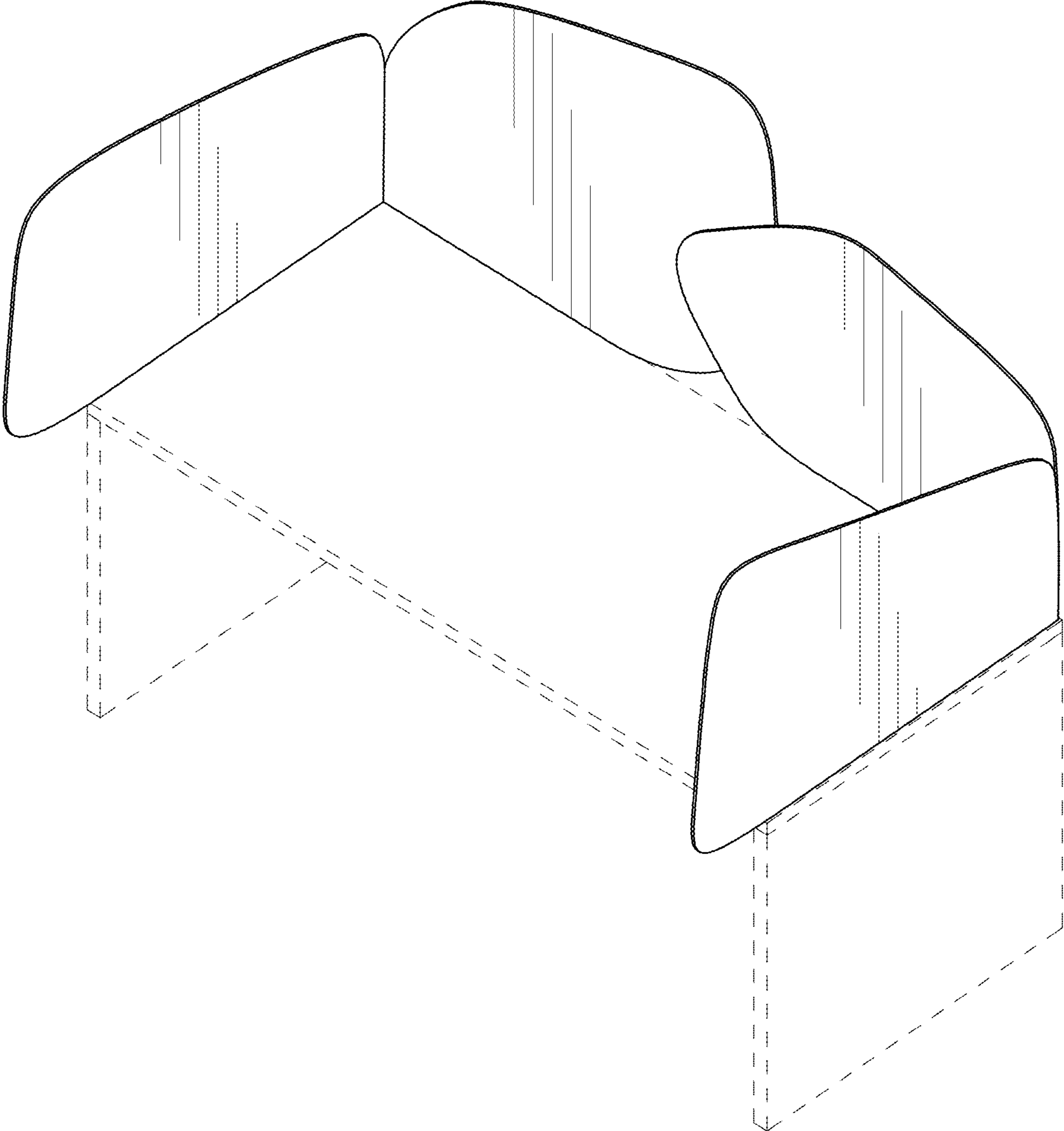


FIG. 1

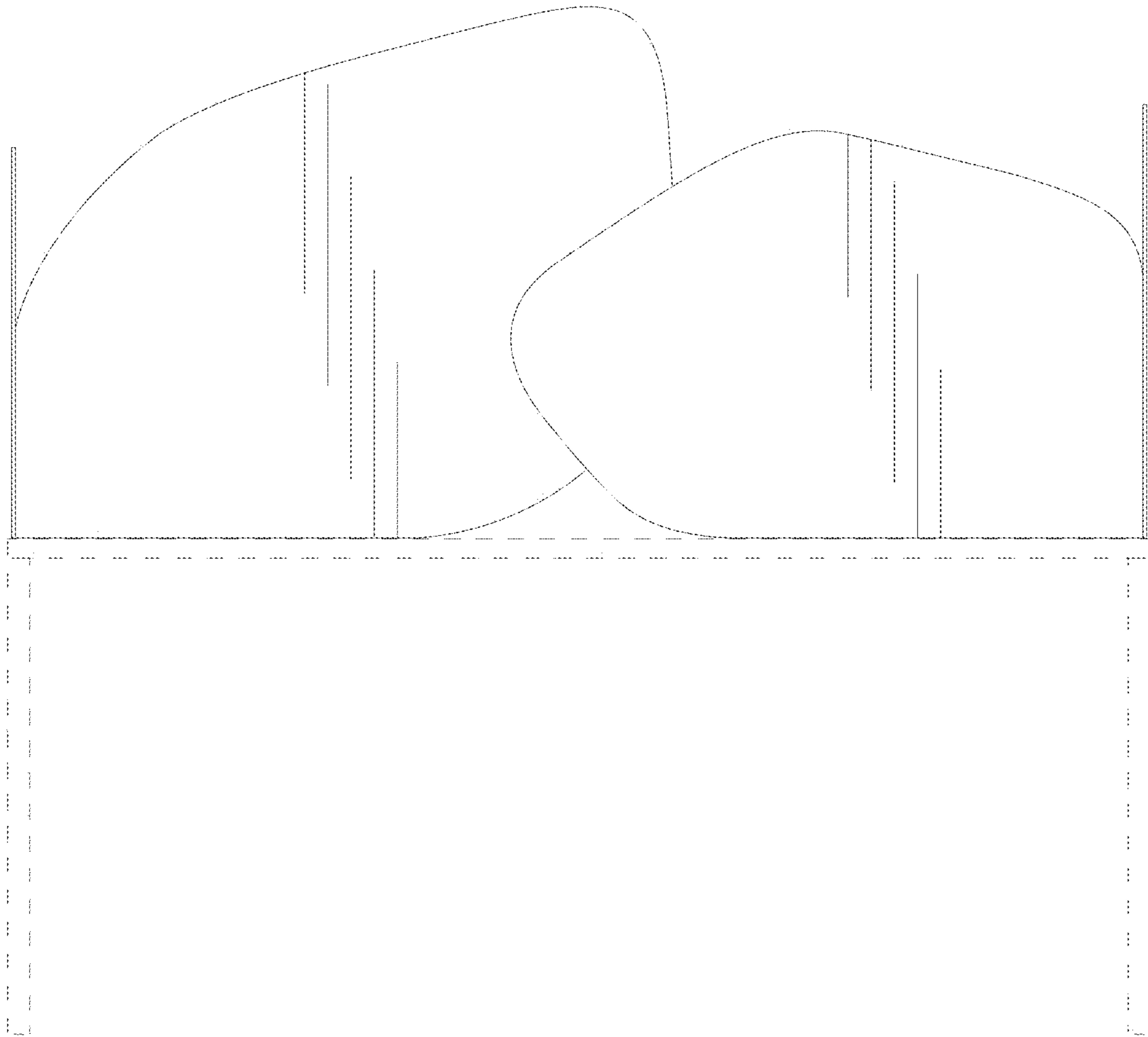


FIG. 2

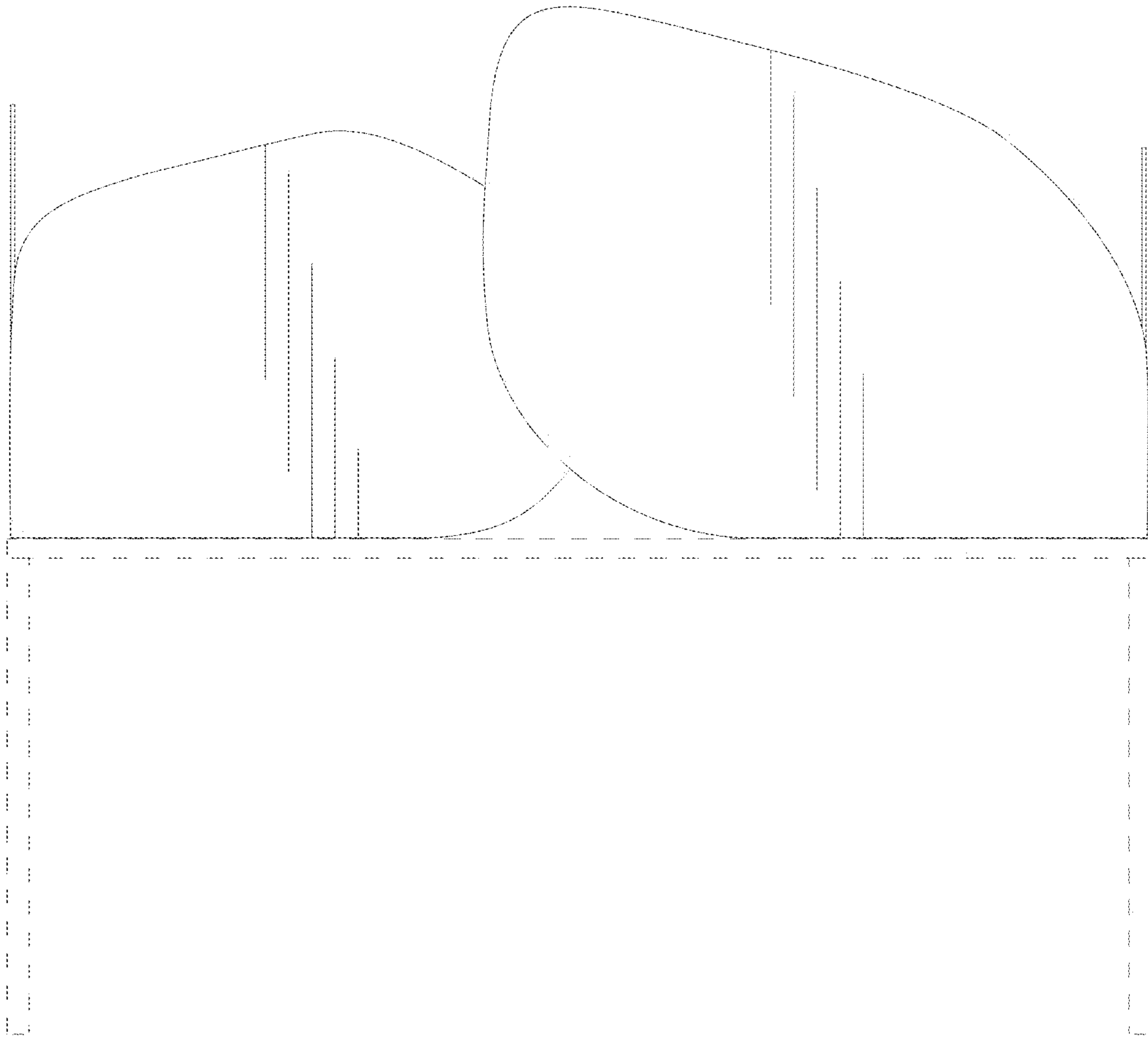


FIG. 3

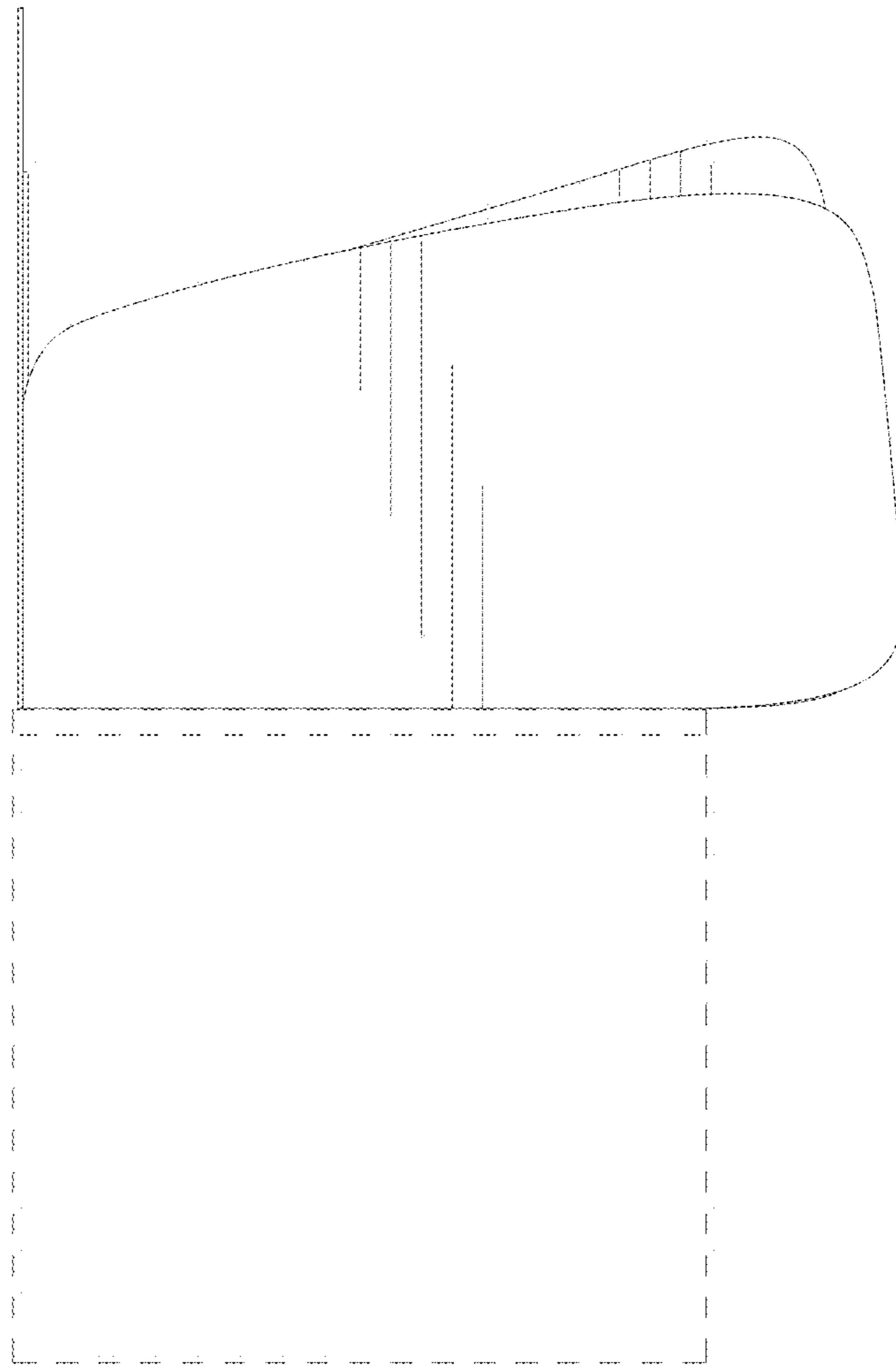


FIG. 4

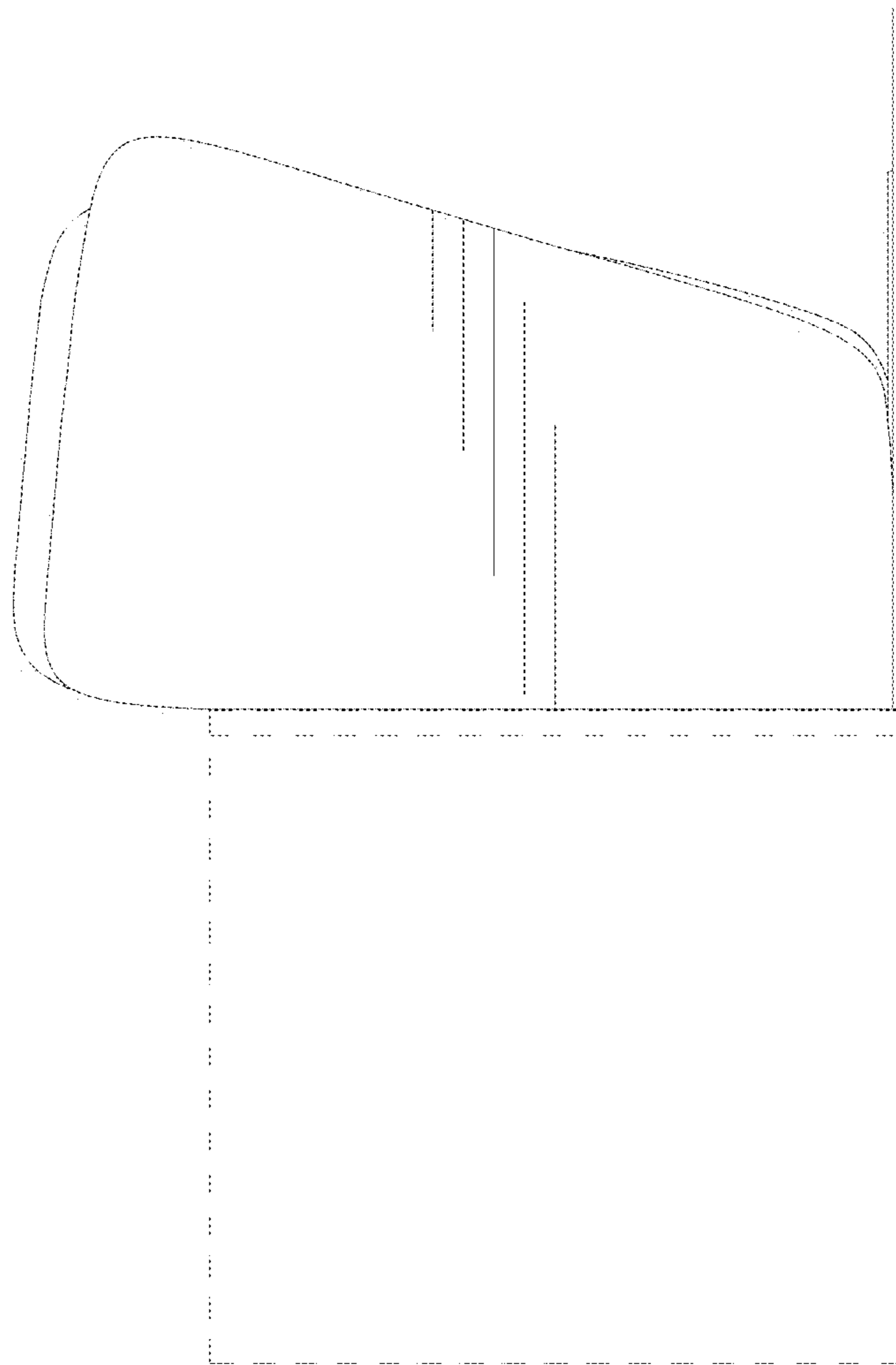


FIG. 5

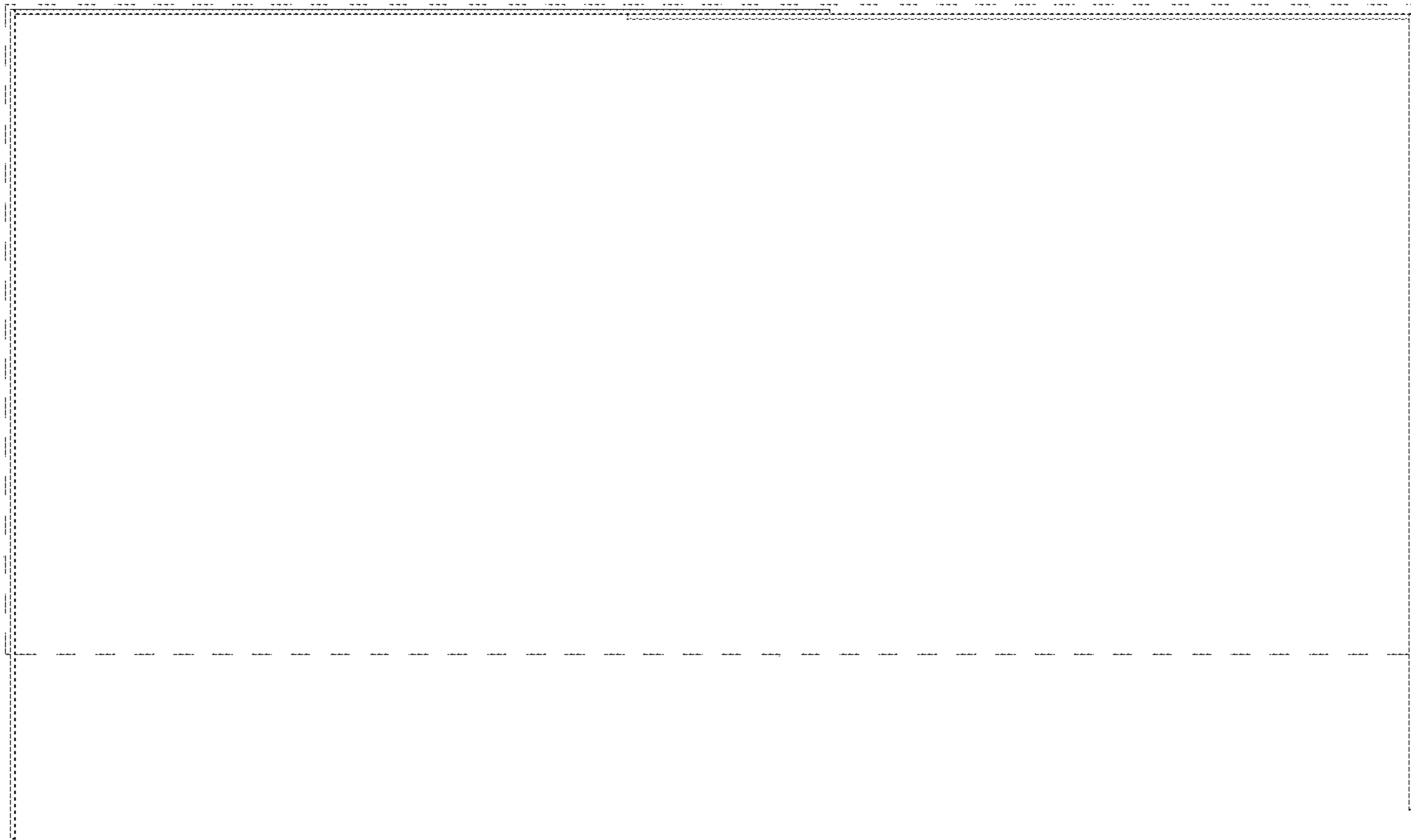


FIG. 6



FIG. 7