



US00D950991S

(12) **United States Design Patent** (10) **Patent No.:** **US D950,991 S**
Barkema (45) **Date of Patent:** **** May 10, 2022**

(54) **TABLE FOR A DECK**

(71) Applicant: **Lynn Barkema**, Ventura, IA (US)

(72) Inventor: **Lynn Barkema**, Ventura, IA (US)

(**) Term: **15 Years**

(21) Appl. No.: **29/691,490**

(22) Filed: **May 16, 2019**

(51) **LOC (13) Cl.** **06-03**

(52) **U.S. Cl.**
USPC **D6/695.8**

(58) **Field of Classification Search**

USPC ... D6/641, 649, 656, 656.18, 685, 691, 694,
D6/694.1, 695, 695.8, 697, 697.1
CPC . A47F 3/00; A47F 3/142; A47B 57/00; A47B
57/30; A47B 57/40; A47B 87/00; E04B
2/744; E04B 2/7407; E04B 2/7416; E04B
2002/7483

See application file for complete search history.

(56) **References Cited**

U.S. PATENT DOCUMENTS

D74,340 S * 2/1928 Bach D6/694
D132,519 S * 5/1942 Mattucci D6/694
D234,655 S * 4/1975 Stiene D6/697.1
D328,990 S * 9/1992 Kwiescinski D6/649
D367,192 S * 2/1996 Frattini D6/656
D555,400 S * 11/2007 Kowalik D6/656
D781,084 S * 3/2017 Filoon D6/688.1
D885,794 S * 6/2020 Oakley D6/649

OTHER PUBLICATIONS

“Walnut Petite Demilune Console Table.” Found online Sep. 27, 2021 at www.ebth.com. Page dated Jul. 24, 2017. Retrieved from URL: https://www.ebth.com/items/6421794-walnut-petite-demilune-console-table (Year: 2017).*

“How do I design a Scale-up classroom?” Found online Sep. 27, 2021 at www.physport.org. Page dated Sep. 22, 2017. Retrieved from URL: https://www.physport.org/recommendations/Entry.cfm?ID=93444 (Year: 2017).*

* cited by examiner

Primary Examiner — Mary Ann Calabrese

Assistant Examiner — Katelin G Kloberg

(74) *Attorney, Agent, or Firm* — Zarley Law Firm, P.L.C.

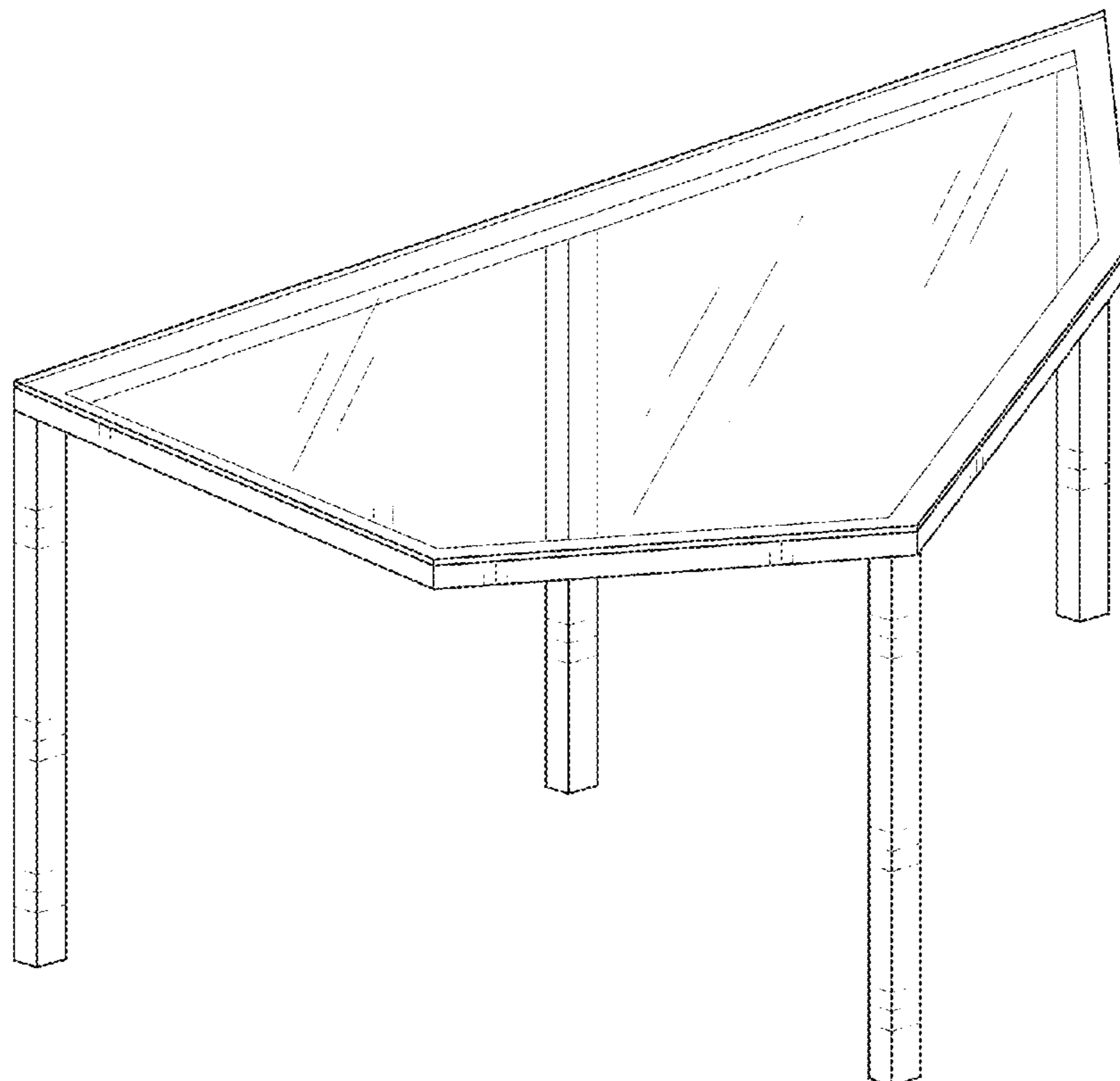
(57) **CLAIM**

I claim the ornamental design for a table for a deck, as shown and described.

DESCRIPTION

FIG. 1 is a perspective view of a table for a deck;
FIG. 2 is a top plan view of a table for a deck;
FIG. 3 is a bottom plan view of a table for a deck;
FIG. 4 is a front view of a table for a deck;
FIG. 5 is a rear view of a table for a deck;
FIG. 6 is a left side elevation view of a table for a deck;
FIG. 7 is a right side elevation view of a table for a deck;
and,
FIG. 8 is an exploded perspective view of a table for a deck.

1 Claim, 5 Drawing Sheets



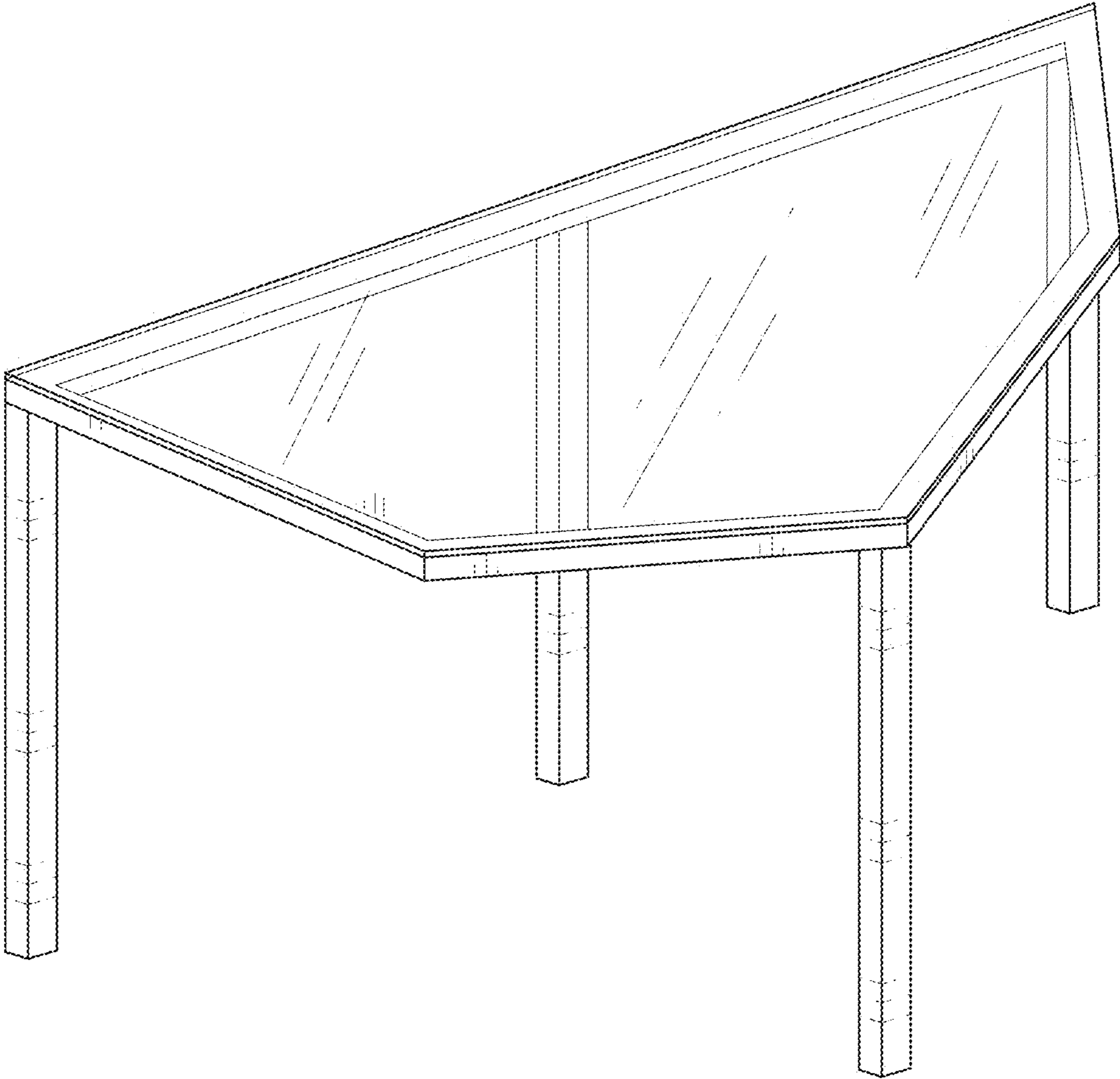


FIG. 1

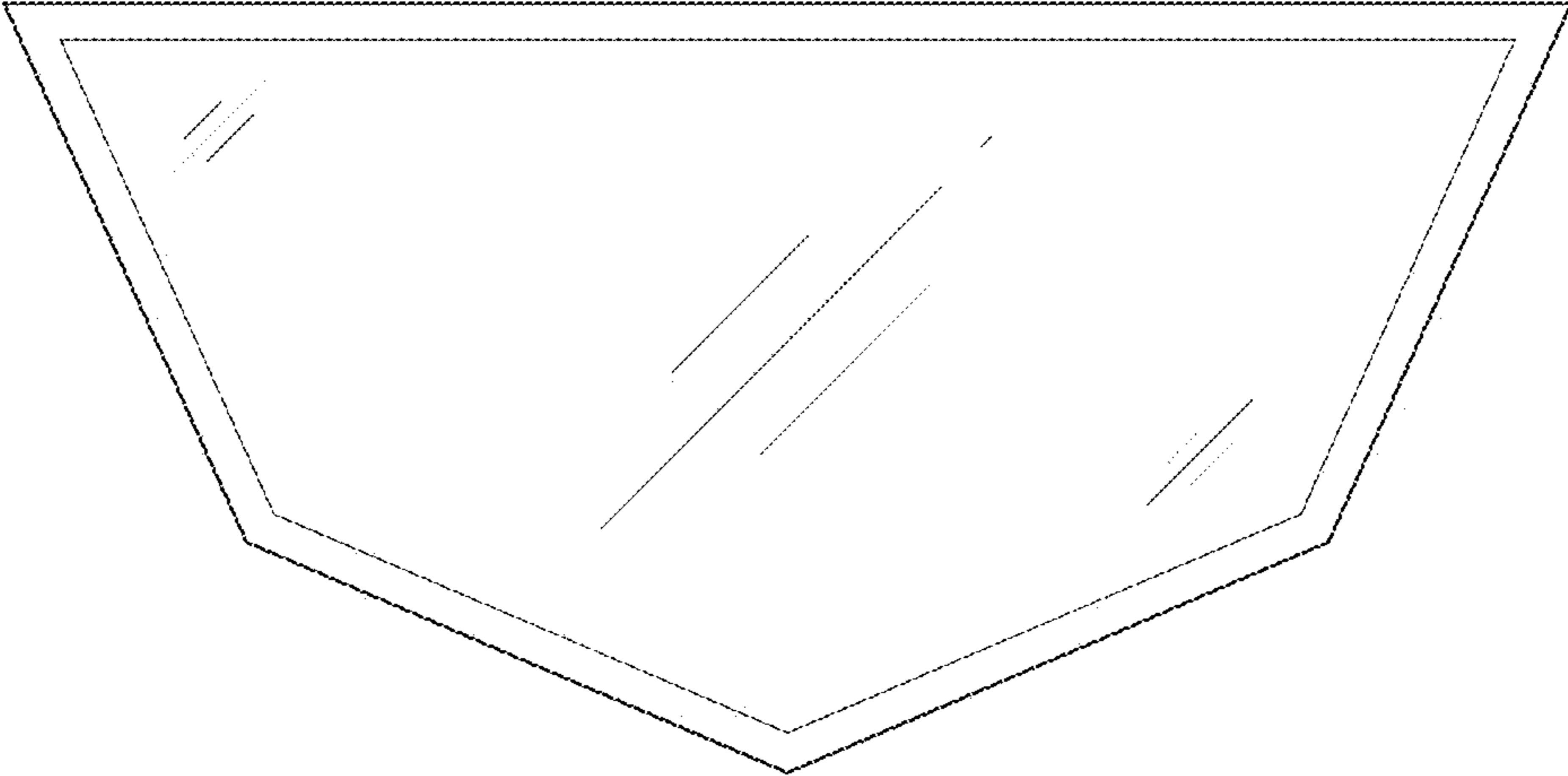


FIG. 2

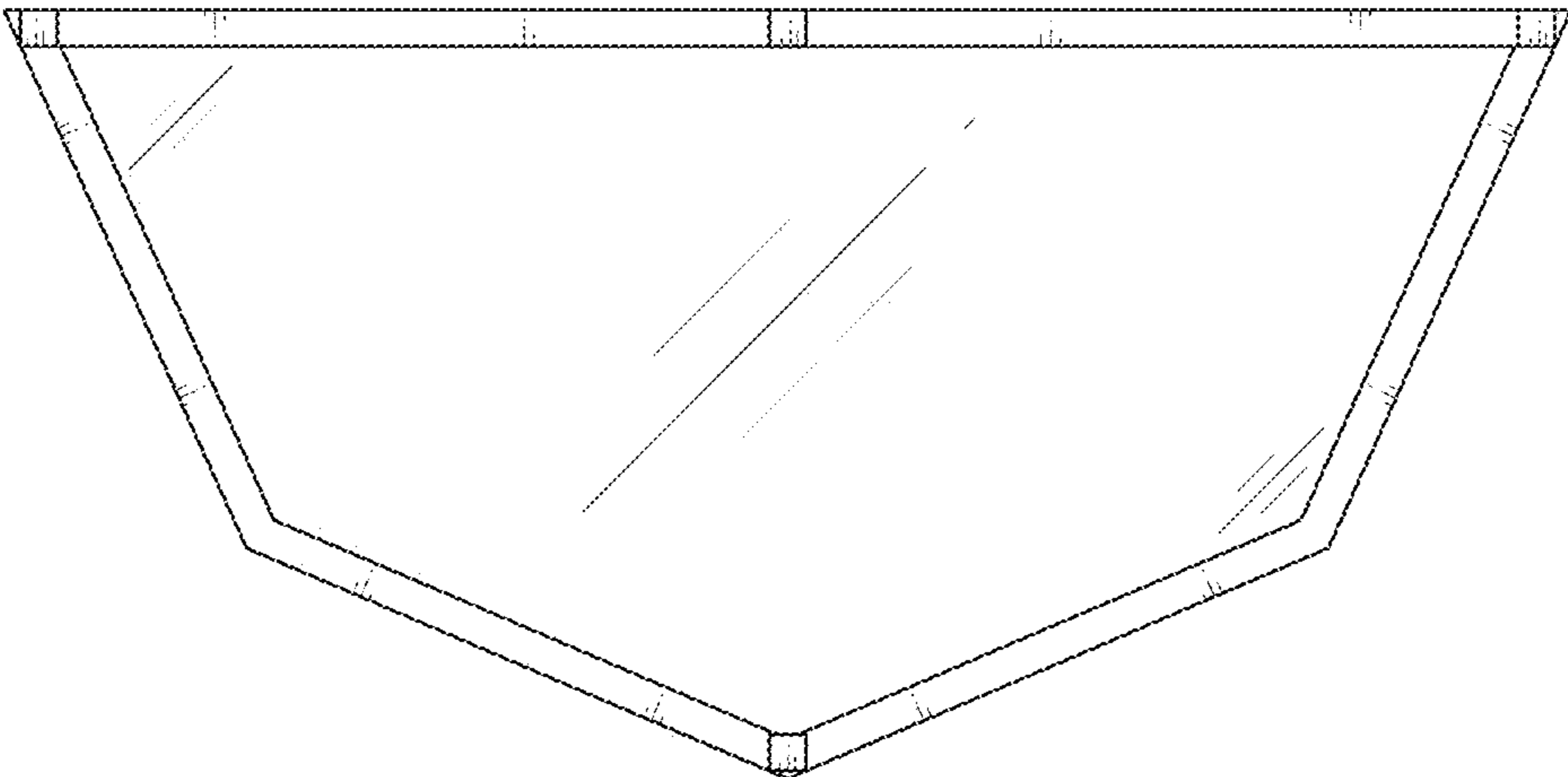


FIG. 3

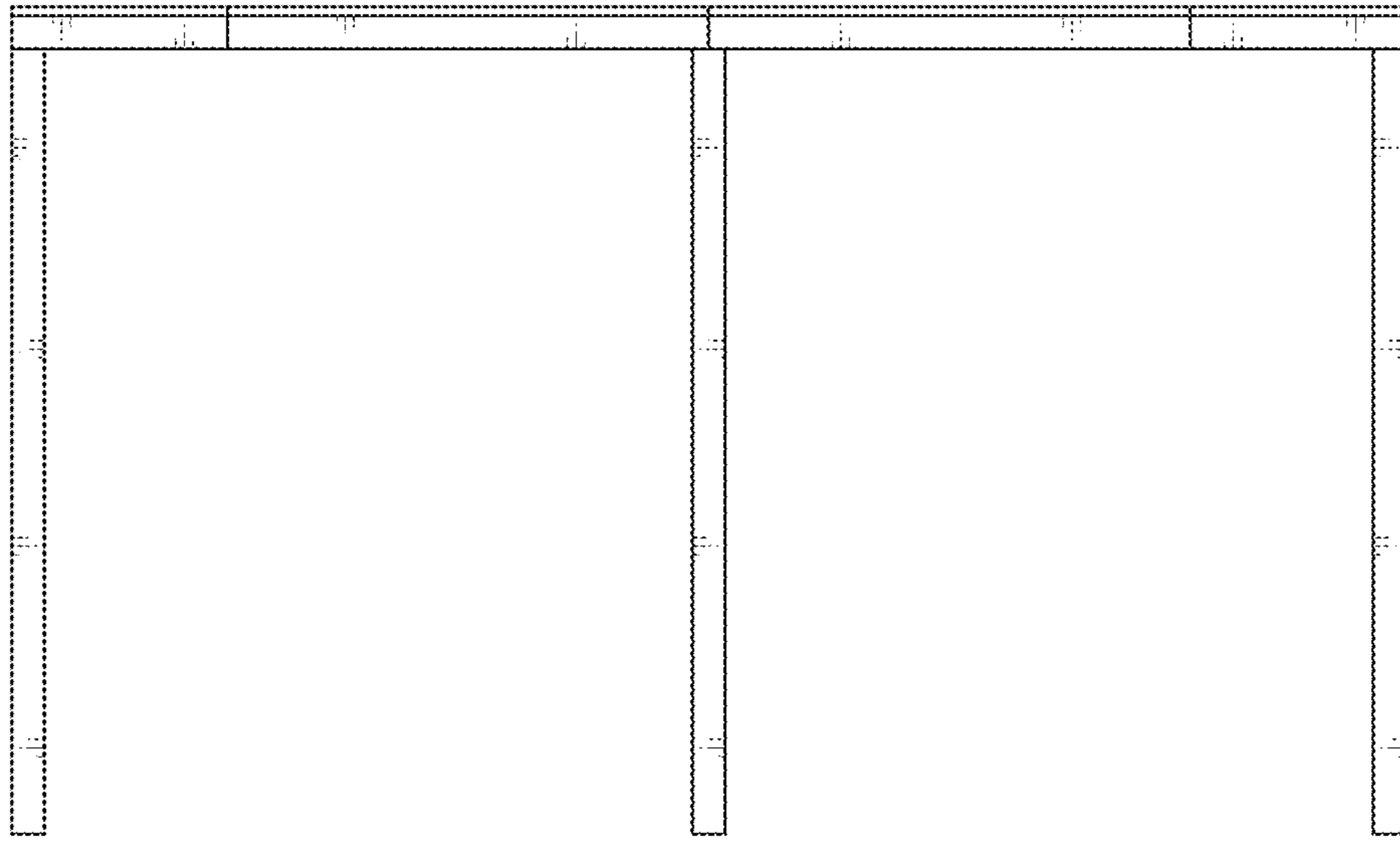


FIG. 4

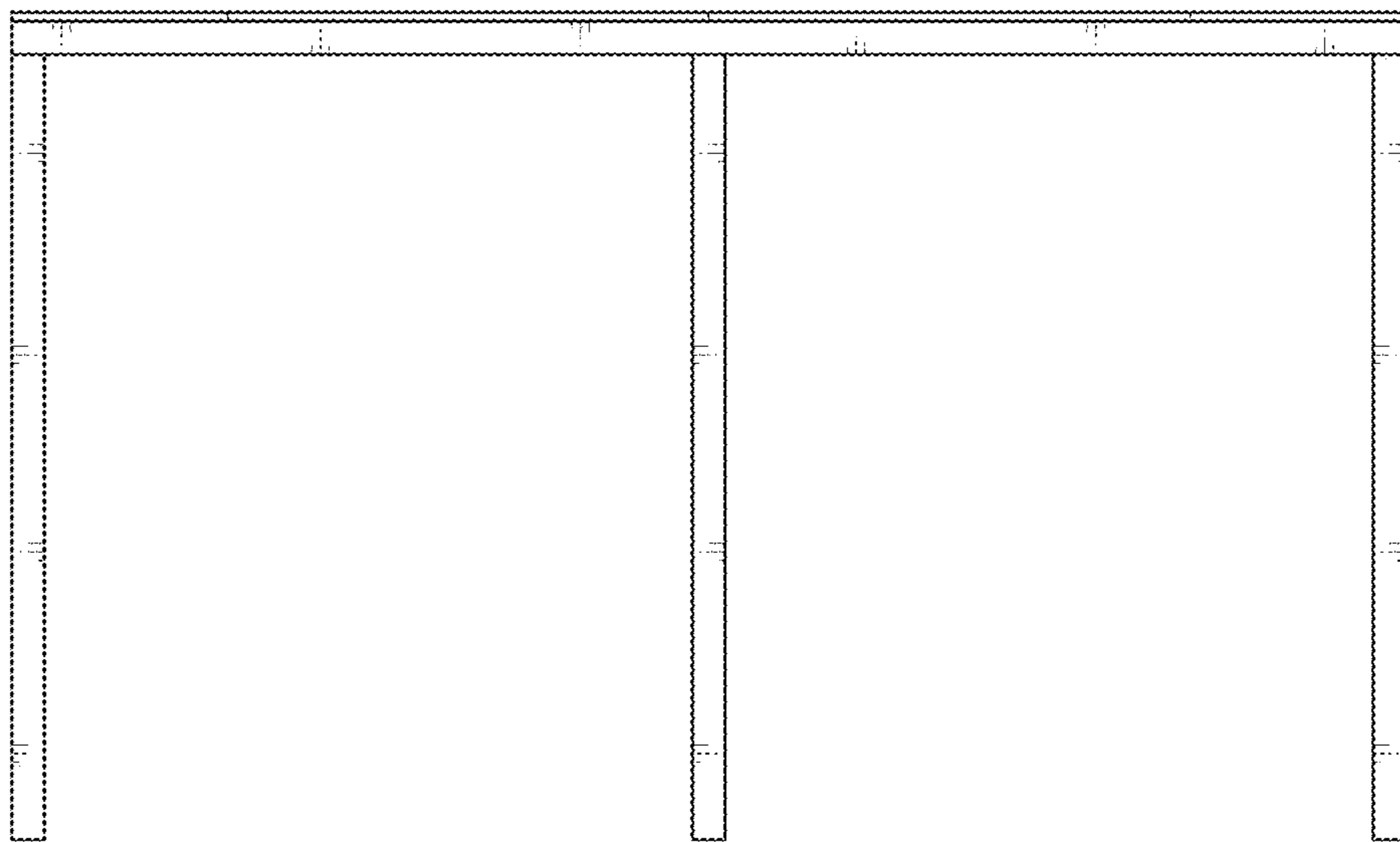


FIG. 5

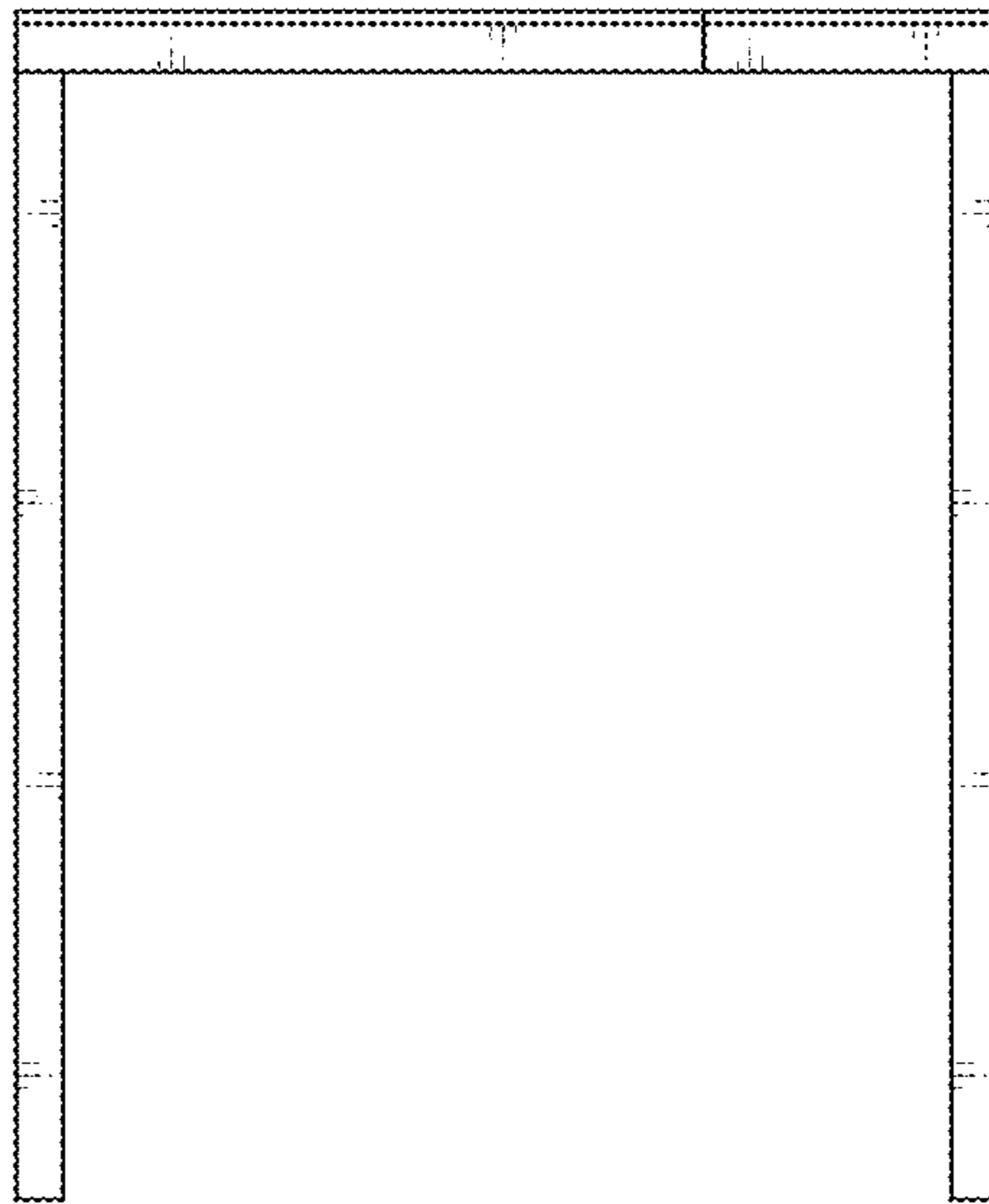


FIG. 6

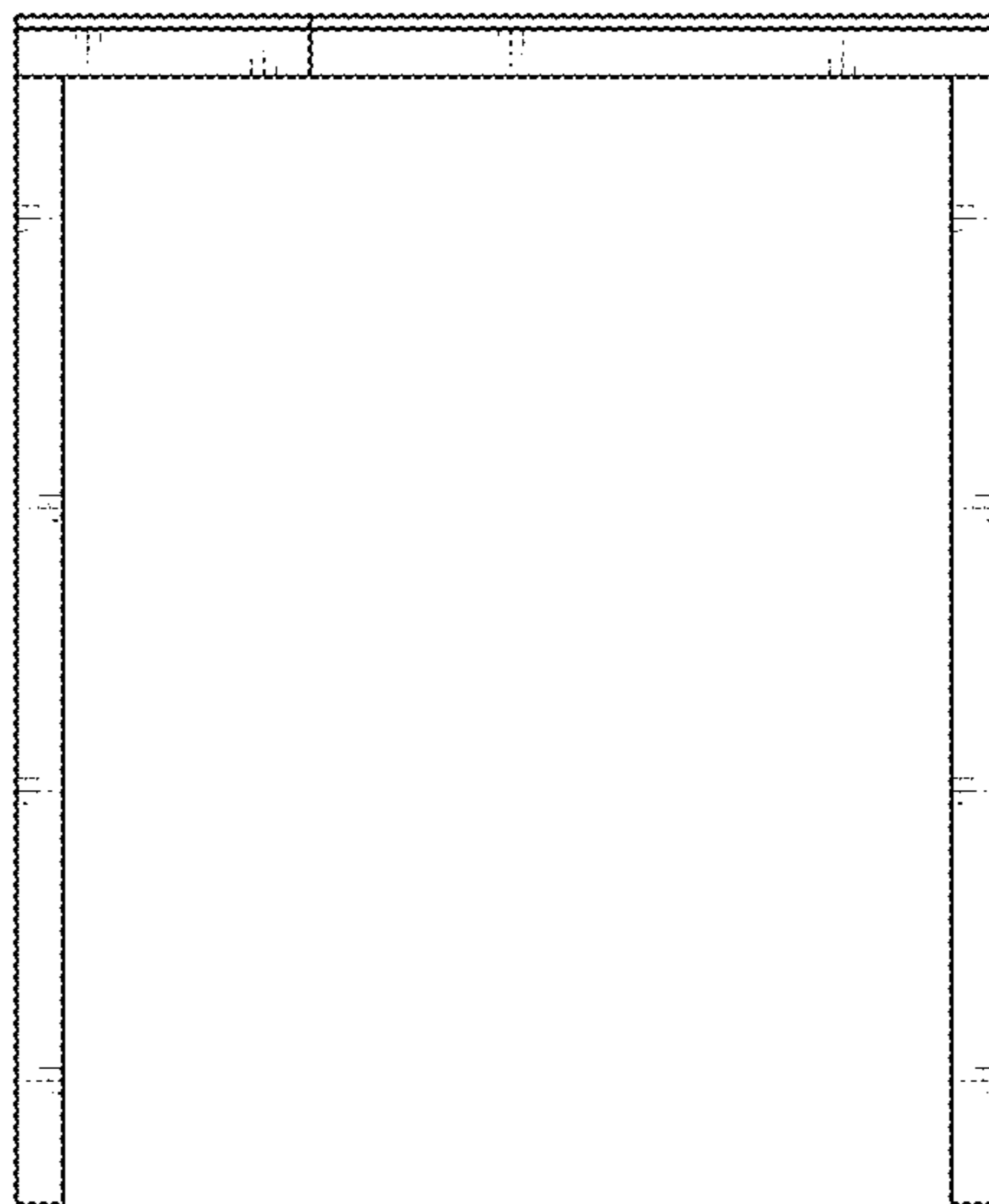


FIG. 7

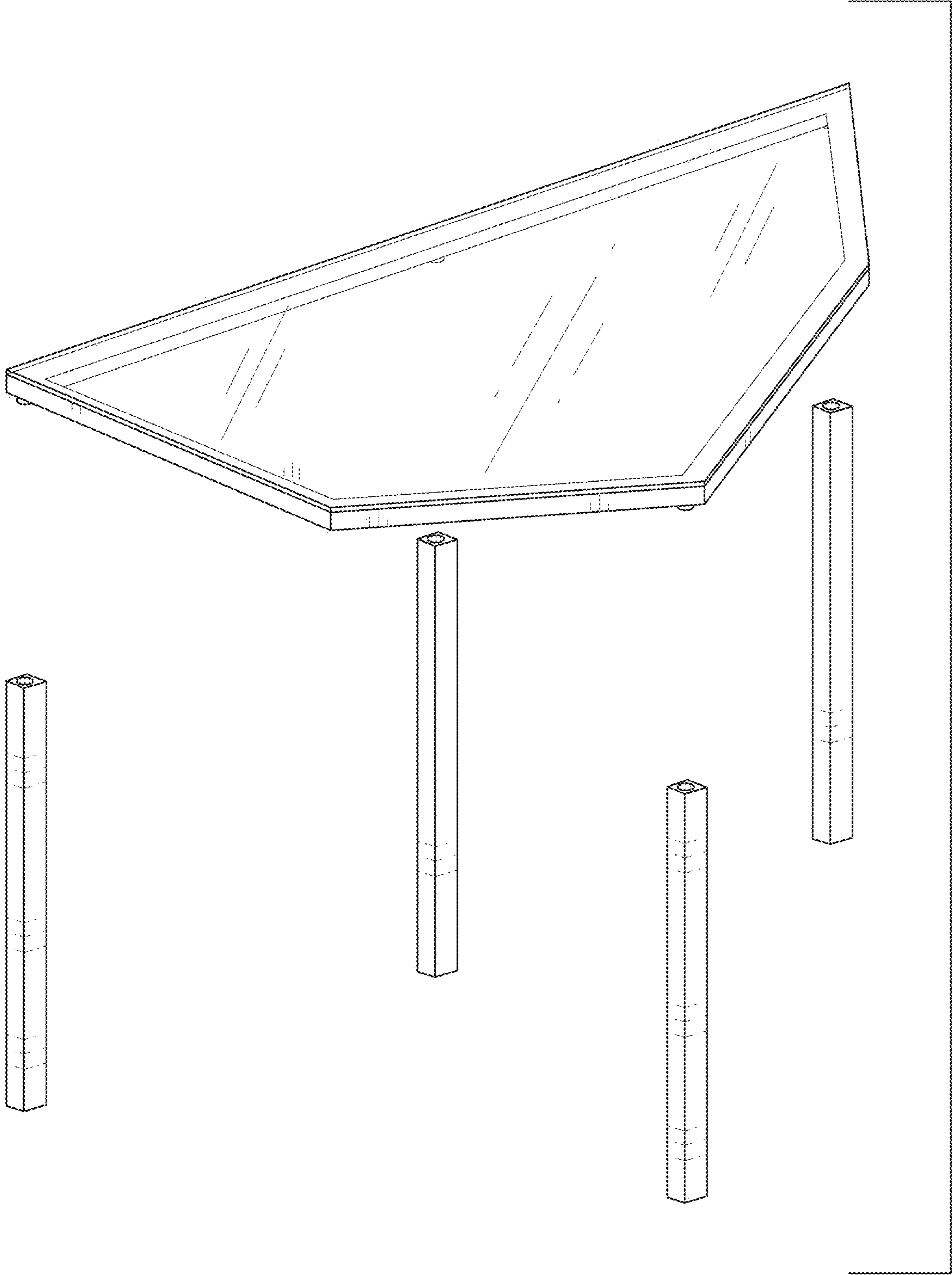


FIG. 8