



US00D950990S

(12) **United States Design Patent**  
**Wersland et al.**

(10) **Patent No.:** **US D950,990 S**

(45) **Date of Patent:** **\*\* May 10, 2022**

- (54) **STAND**
- (71) Applicant: **Theragun, Inc.**, Beverly Hills, CA (US)
- (72) Inventors: **Jason Wersland**, Manhattan Beach, CA (US); **Benjamin Nazarian**, Beverly Hills, CA (US); **Jaime Sanchez Solana**, Los Angeles, CA (US); **Eduardo Merino**, Beverly Hills, CA (US)
- (73) Assignee: **THERABODY, INC.**, Los Angeles, CA (US)

8,746,156 B2 *	6/2014	Camarillo	.....	F16M 11/10
				108/150
D769,235 S *	10/2016	Li	.....	D14/253
D827,344 S *	9/2018	Dillon	.....	D14/454
D852,560 S *	7/2019	Cochrane	.....	D6/682.3
D868,753 S *	12/2019	Kolton	.....	D14/224
D879,519 S *	3/2020	Schwalbach	.....	D6/682.3
D919,611 S *	5/2021	Wang	.....	D14/253
D927,232 S *	8/2021	Schuster	.....	D6/682
D929,986 S *	9/2021	Chen	.....	D14/253
D934,234 S *	10/2021	Deng	.....	D14/447
D942,440 S *	2/2022	Chapuis	.....	D14/447

(\*\*) Term: **15 Years**

(21) Appl. No.: **29/735,185**

(22) Filed: **May 19, 2020**

(51) **LOC (13) Cl.** ..... **06-06**

(52) **U.S. Cl.**  
USPC ..... **D6/682.3**

(58) **Field of Classification Search**  
USPC ..... D6/672, 673, 512-513, 553, 682, 682.3;  
D14/434, 447, 457; D8/354  
CPC ..... A47B 2097/005; A47B 2097/006; A47F  
5/006; A47F 5/0081; A47F 5/0876; A47F  
7/142  
See application file for complete search history.

(56) **References Cited**

**U.S. PATENT DOCUMENTS**

- D364,757 S \* 12/1995 Jaeger ..... D3/18
- D583,158 S \* 12/2008 Chiu ..... D6/304

\* cited by examiner

*Primary Examiner* — Kelley A Donnelly

(74) *Attorney, Agent, or Firm* — Jeffer Mangels Butler & Mitchell LLP; Brennan C. Swain, Esq.

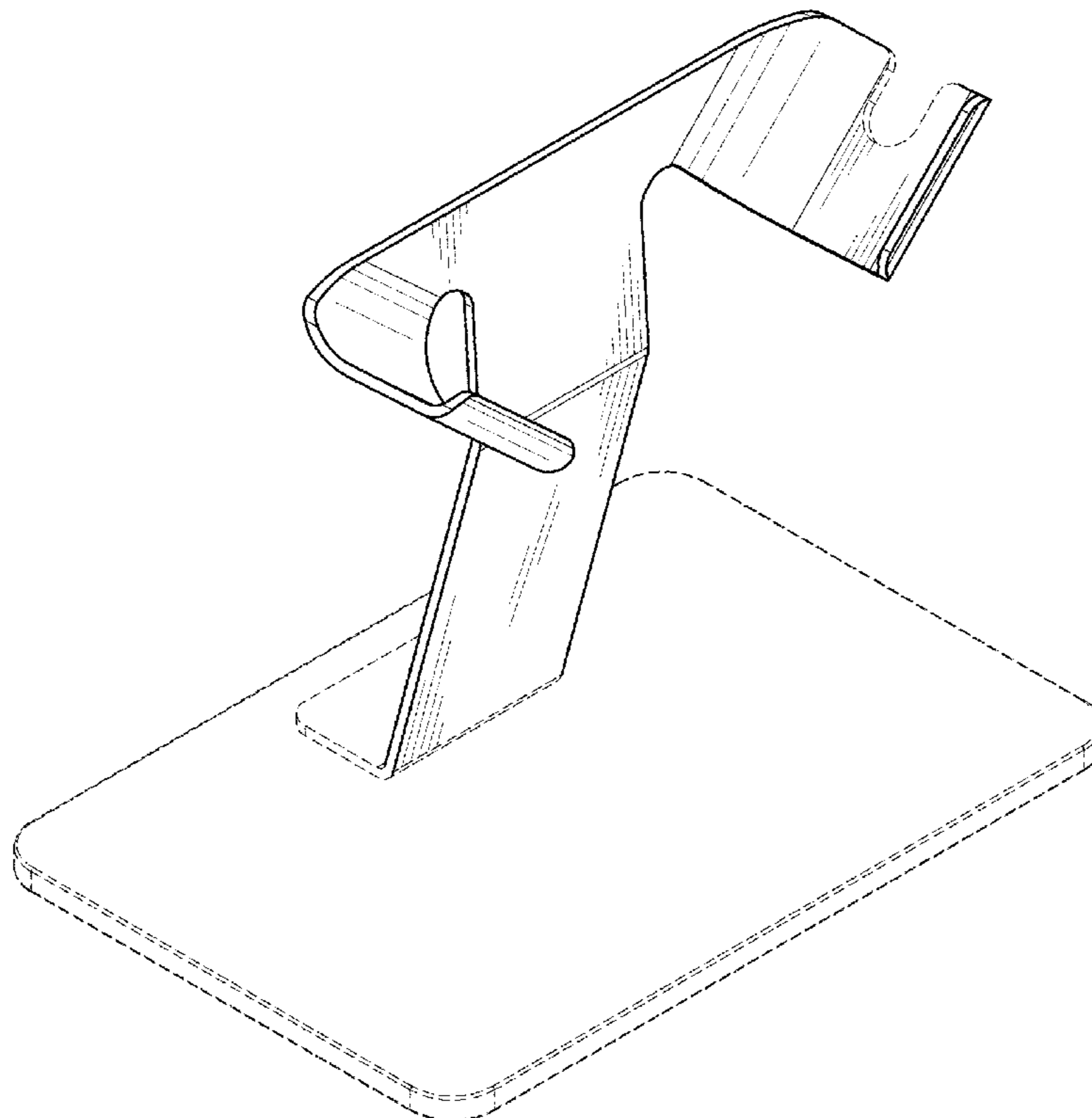
(57) **CLAIM**

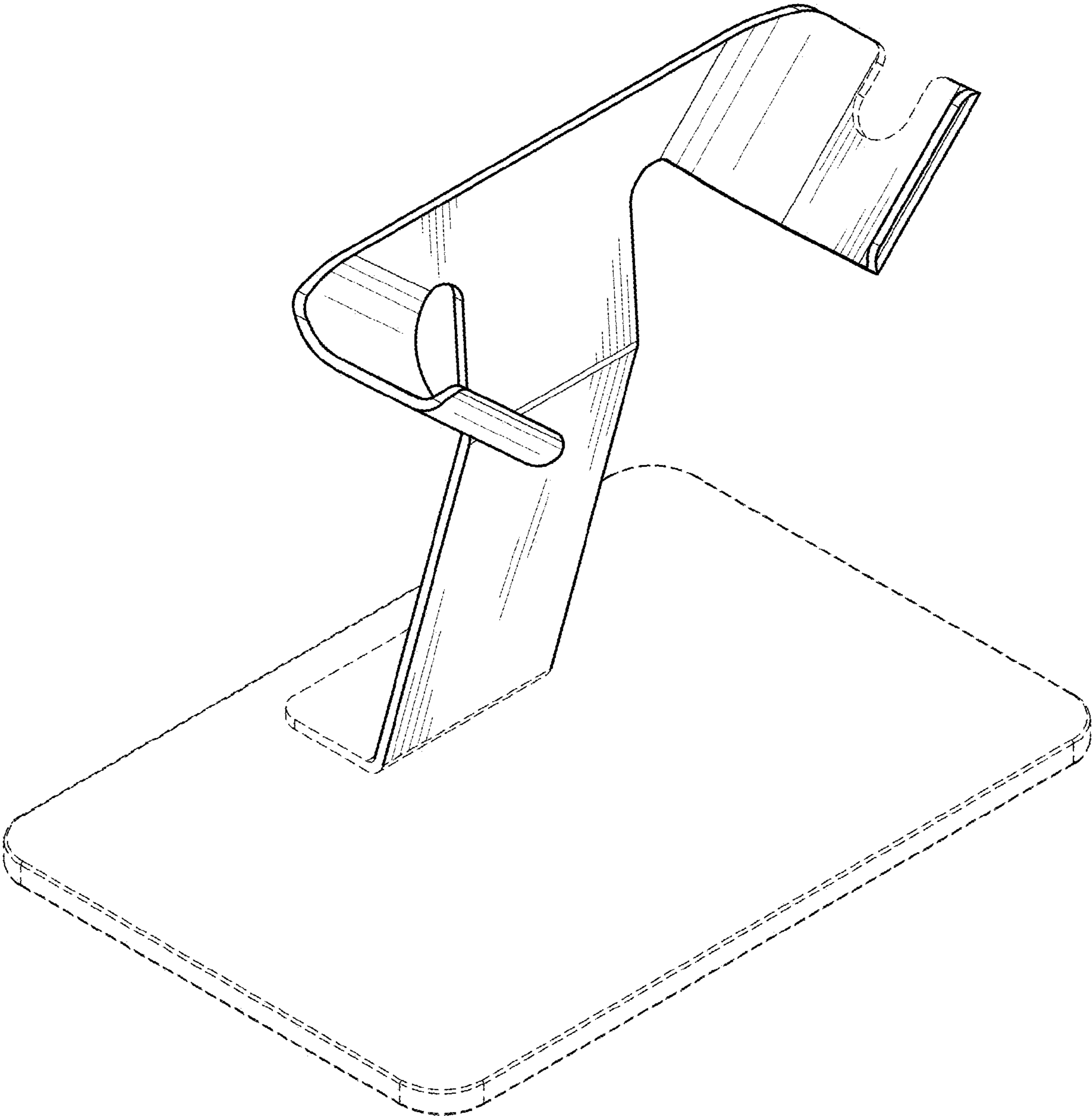
The ornamental design for a stand, as shown and described.

**DESCRIPTION**

FIG. 1 is a perspective view of a stand, showing our new design;  
FIG. 2 is a front elevational view thereof;  
FIG. 3 is a rear elevational view thereof;  
FIG. 4 is a right side elevational view thereof;  
FIG. 5 is a left side elevational view thereof; and,  
FIG. 6 is a top plan view thereof.  
The broken lines shown in the figures are for the purpose of illustrating portions of the stand that form no part of the claimed design.

**1 Claim, 6 Drawing Sheets**





*FIG. 1*

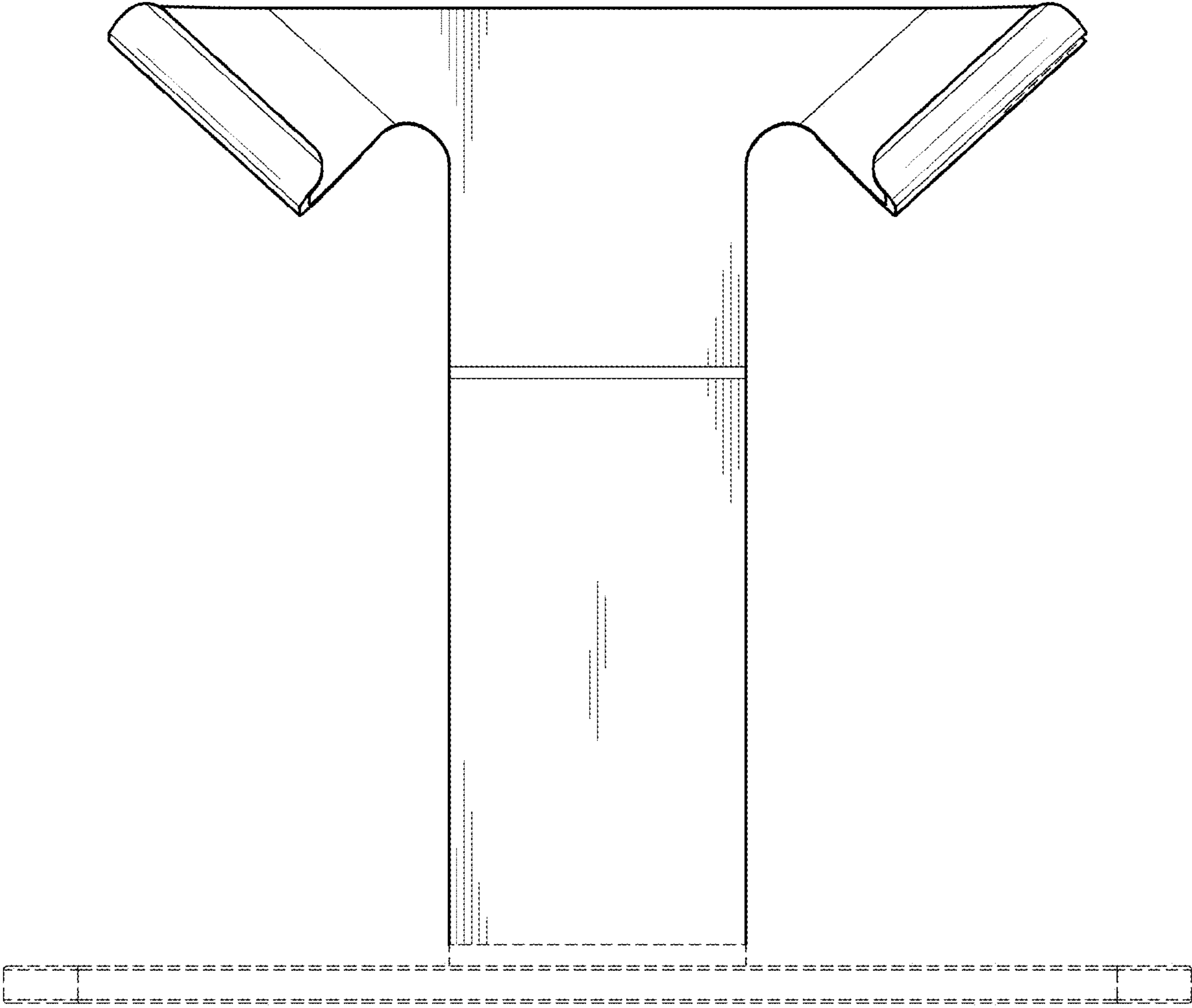
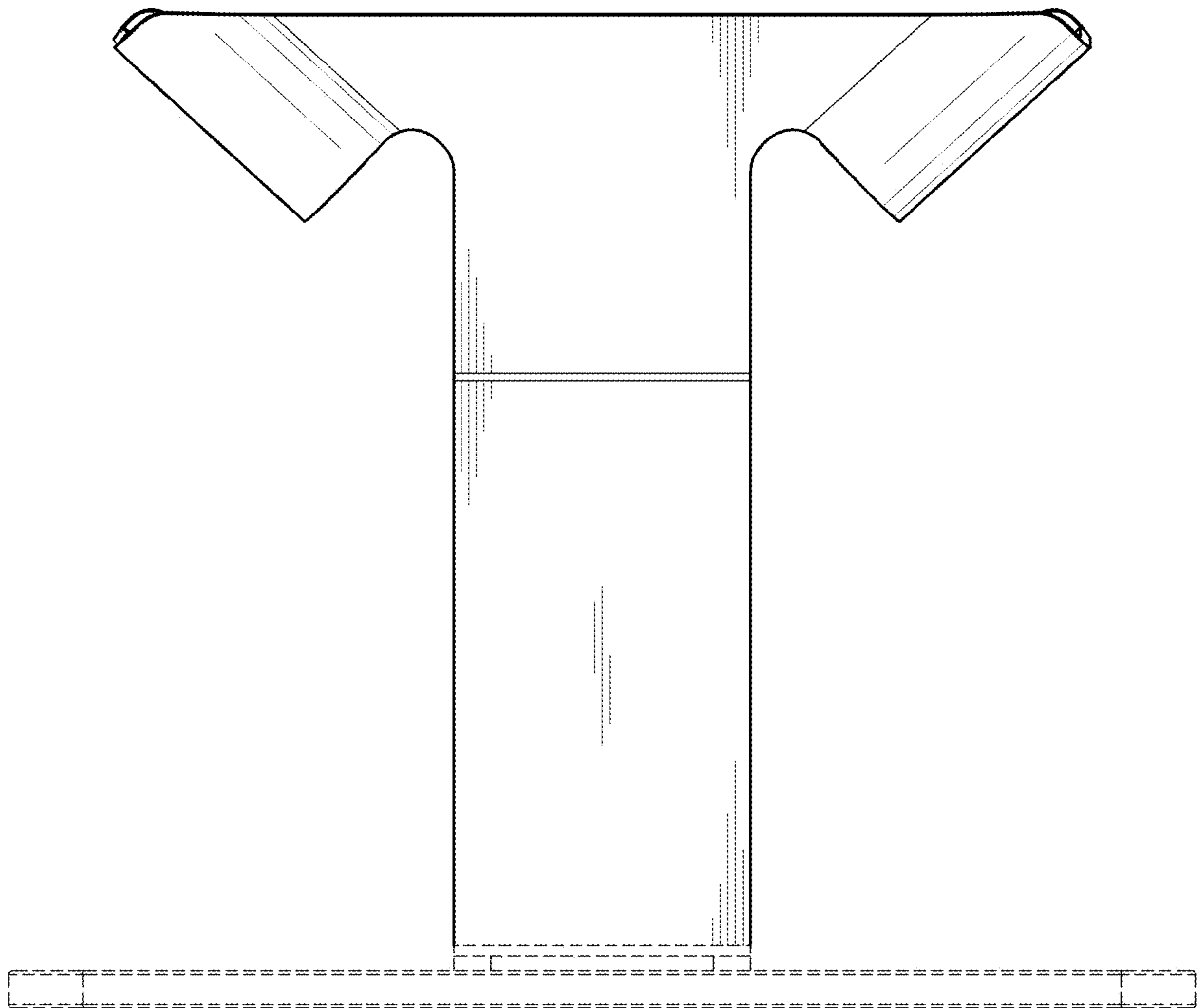
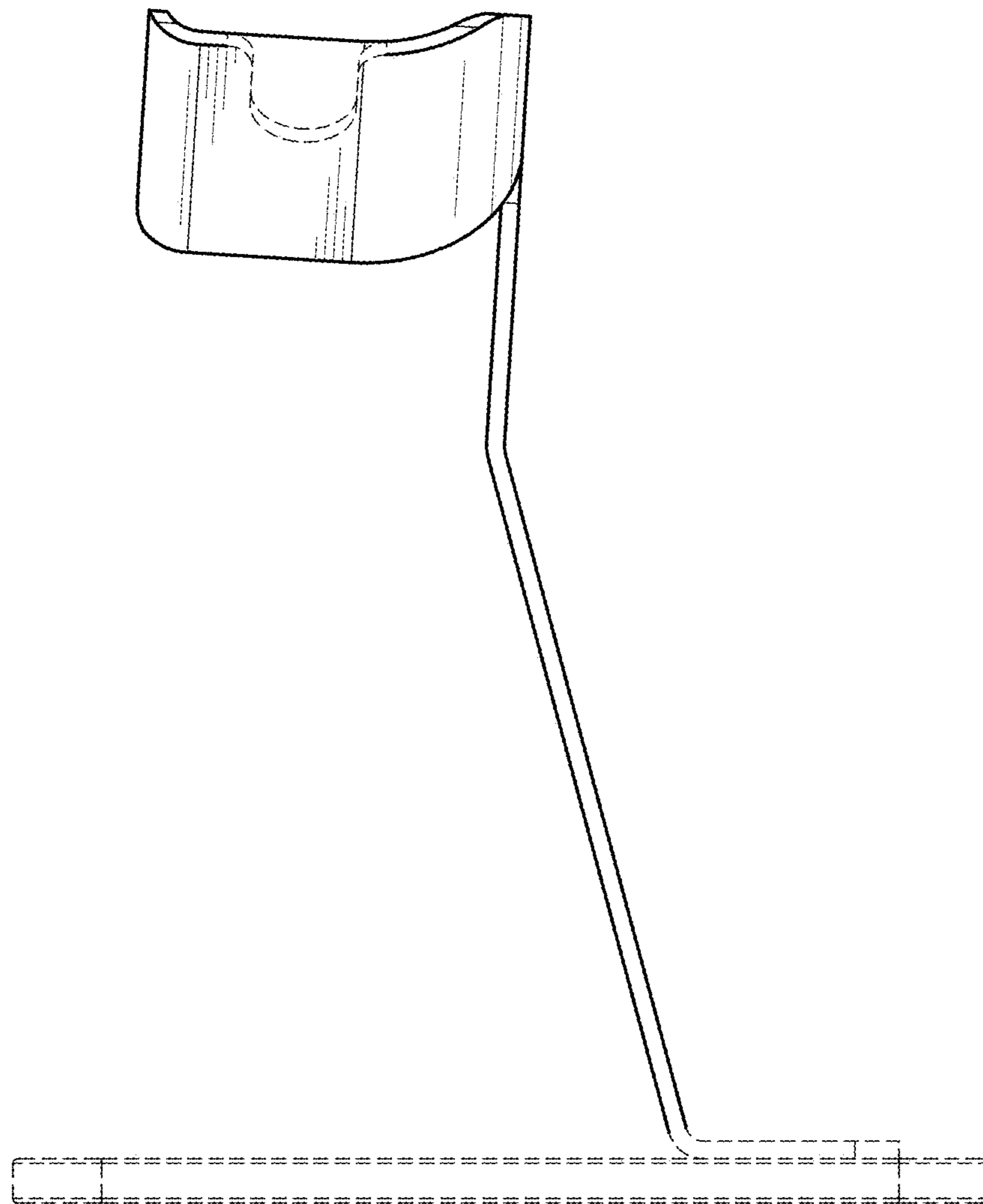


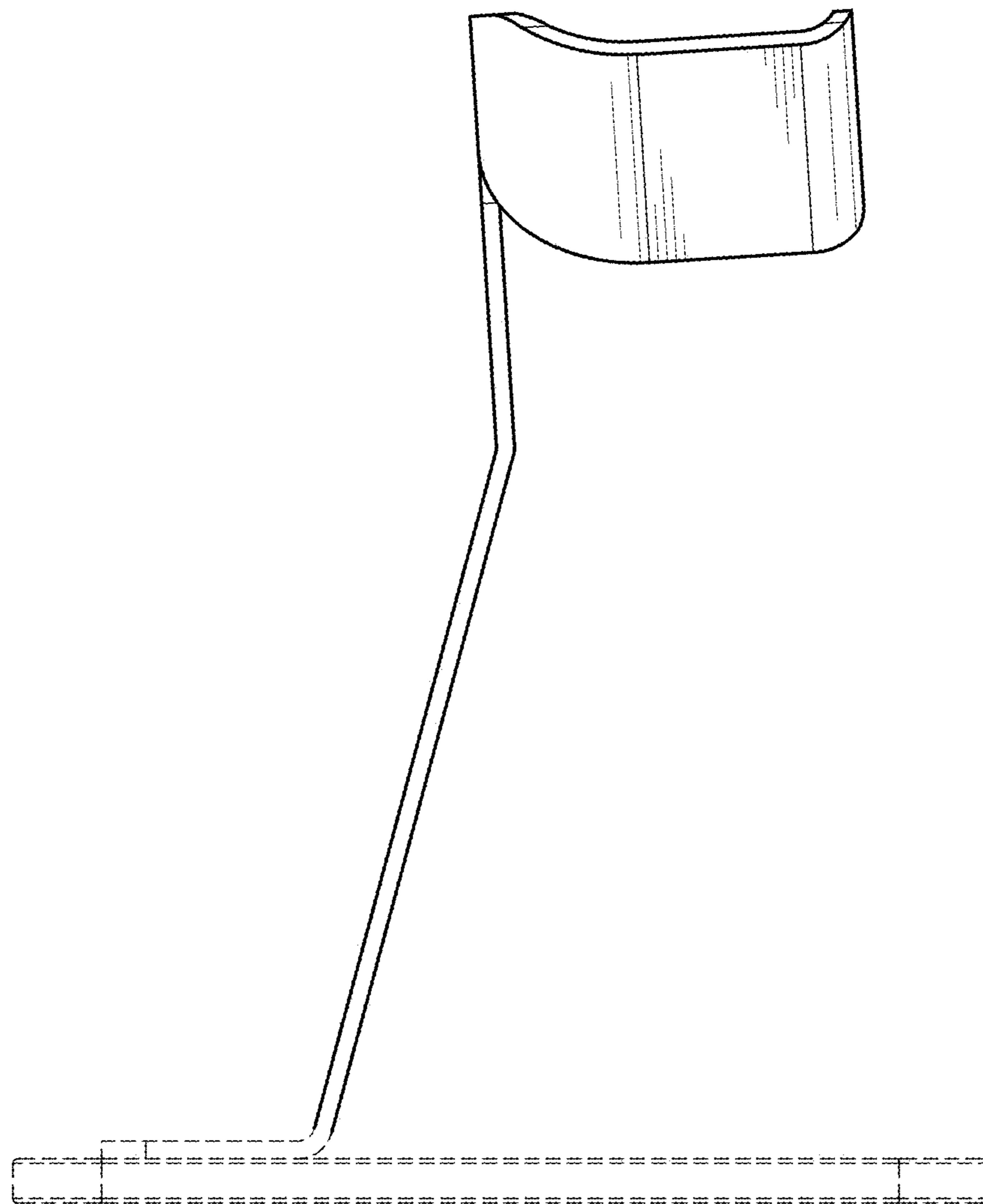
FIG. 2



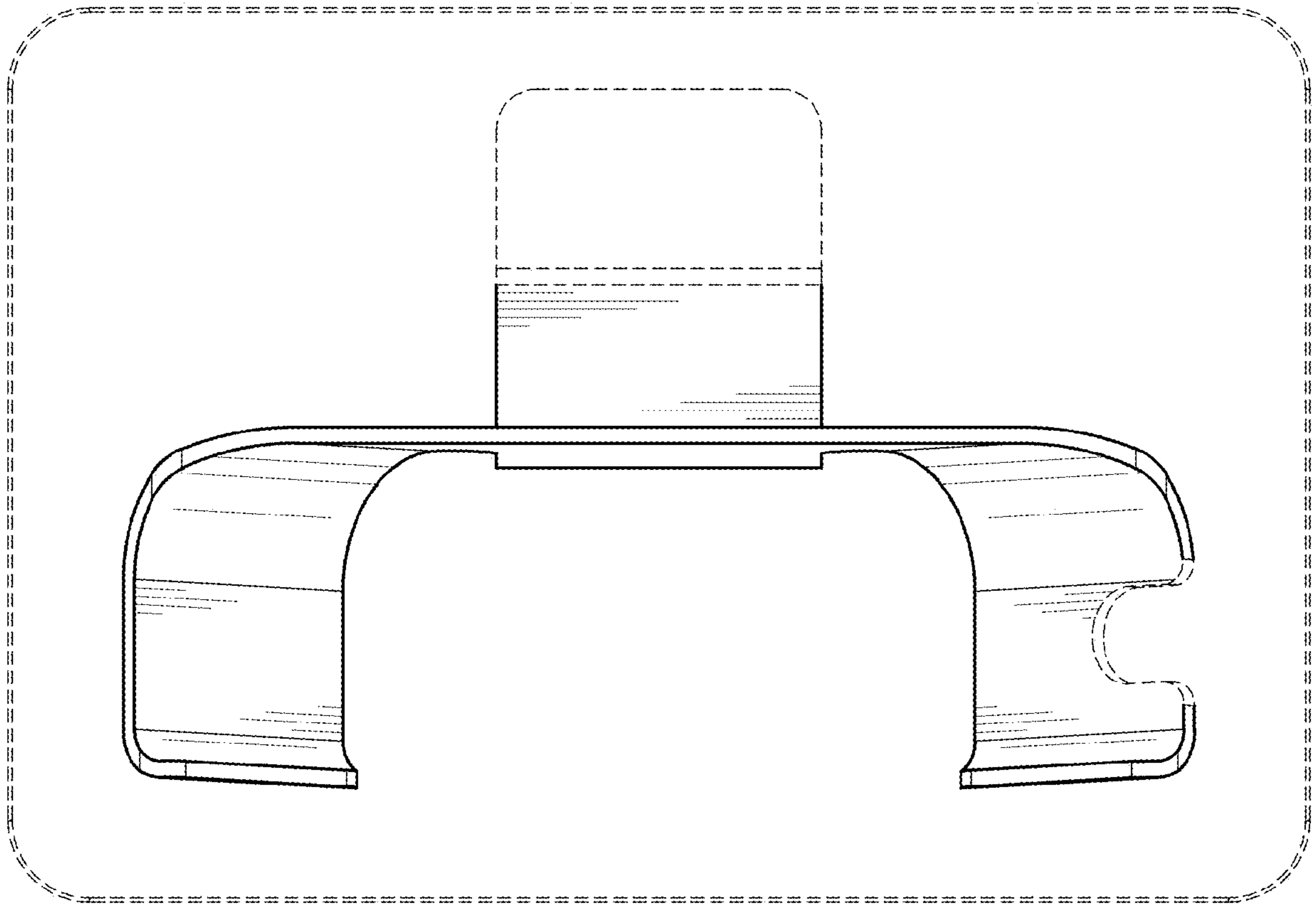
*FIG. 3*



*FIG. 4*



*FIG. 5*



*FIG. 6*