



US00D950988S

(12) **United States Design Patent** (10) **Patent No.:** **US D950,988 S**
Chen (45) **Date of Patent:** **** May 10, 2022**

(54) **CORNER SHELF**
(71) Applicant: **Shenzhen Ximu Technology Co., Ltd.,**
Guangdong (CN)
(72) Inventor: **Changliang Chen,** Guangdong (CN)
(73) Assignee: **Shenzhen Ximu Technology Co., Ltd.,**
Shenzhen (CN)

D409,868 S * 5/1999 France D6/562
D444,017 S * 6/2001 Walker D6/562
D701,714 S * 4/2014 Gelman D6/562
D713,181 S * 9/2014 Cohen D6/676.1
D861,397 S * 10/2019 Cohen D6/676.1
D878,117 S * 3/2020 Gelman D6/676.1
D885,093 S * 5/2020 Gelman D6/676.1
D907,414 S * 1/2021 Li D6/676.1
D922,110 S * 6/2021 Chen D6/676.1

(**) Term: **15 Years**
(21) Appl. No.: **29/787,853**

FOREIGN PATENT DOCUMENTS

CN 304496916 S 2/2018
CN 304855533 S 10/2018

(22) Filed: **Jun. 9, 2021**
(51) **LOC (13) Cl.** **06-06**
(52) **U.S. Cl.**
USPC **D6/676.1**
(58) **Field of Classification Search**
USPC D6/672, 673, 675, 675.1, 676, 676.1,
D6/677, 677.1, 702, 705, 512; D7/601,
D7/602
CPC A47J 47/16; A47F 5/0018; A47F 5/0043;
A47F 5/04; A47F 5/08; A47B 23/00;
A47B 23/04
See application file for complete search history.

* cited by examiner

Primary Examiner — Kelley A Donnelly

(56) **References Cited**

U.S. PATENT DOCUMENTS

D304,398 S * 11/1989 Goetz D6/676.1
D314,477 S * 2/1991 Richter D6/676.1
D325,137 S * 4/1992 Porter D6/676.1
D327,795 S * 7/1992 Kee D6/676.2
D382,733 S * 8/1997 Goetz D6/676.1

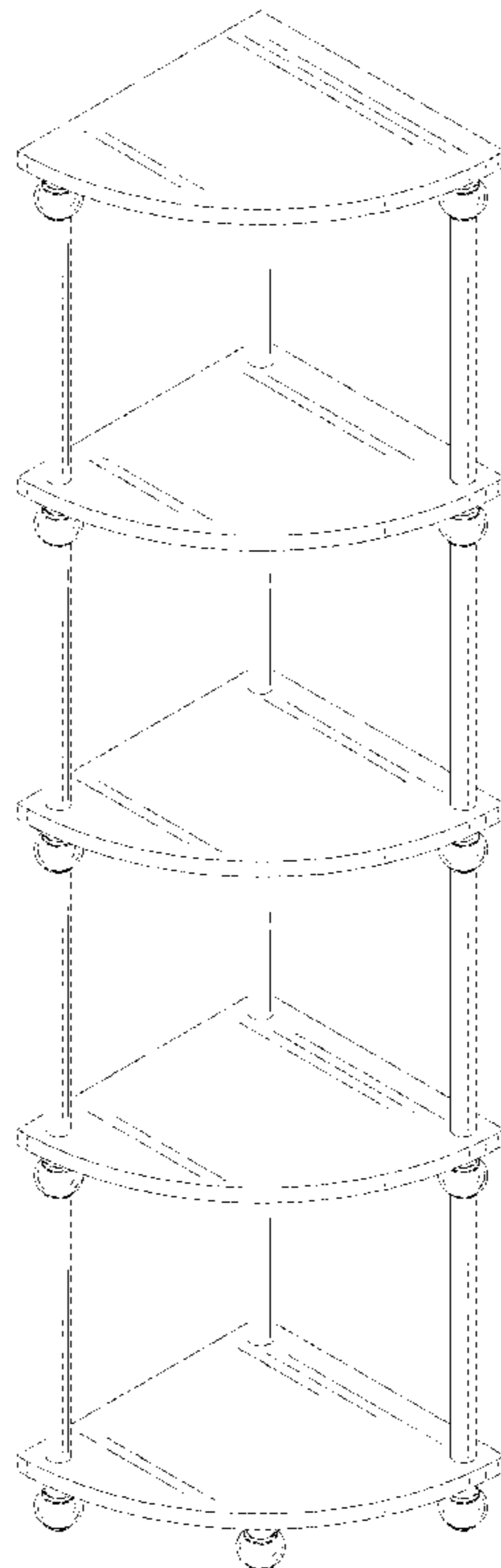
(57) **CLAIM**

The ornamental design for a corner shelf, as shown and described.

DESCRIPTION

FIG. 1 is a perspective view of a corner shelf showing our new design;
FIG. 2 is another perspective view thereof;
FIG. 3 is a front view thereof;
FIG. 4 is a back view thereof;
FIG. 5 is a left view thereof;
FIG. 6 is a right view thereof;
FIG. 7 is an enlarged top view thereof; and,
FIG. 8 is an enlarged bottom view thereof.

1 Claim, 8 Drawing Sheets



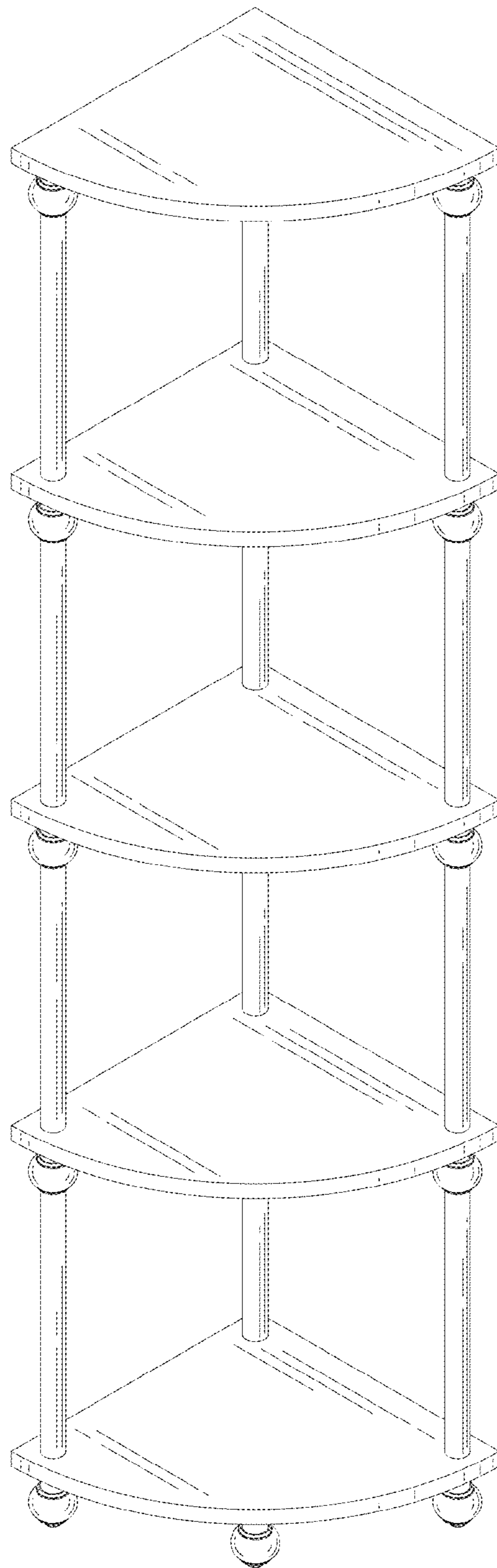


FIG. 1

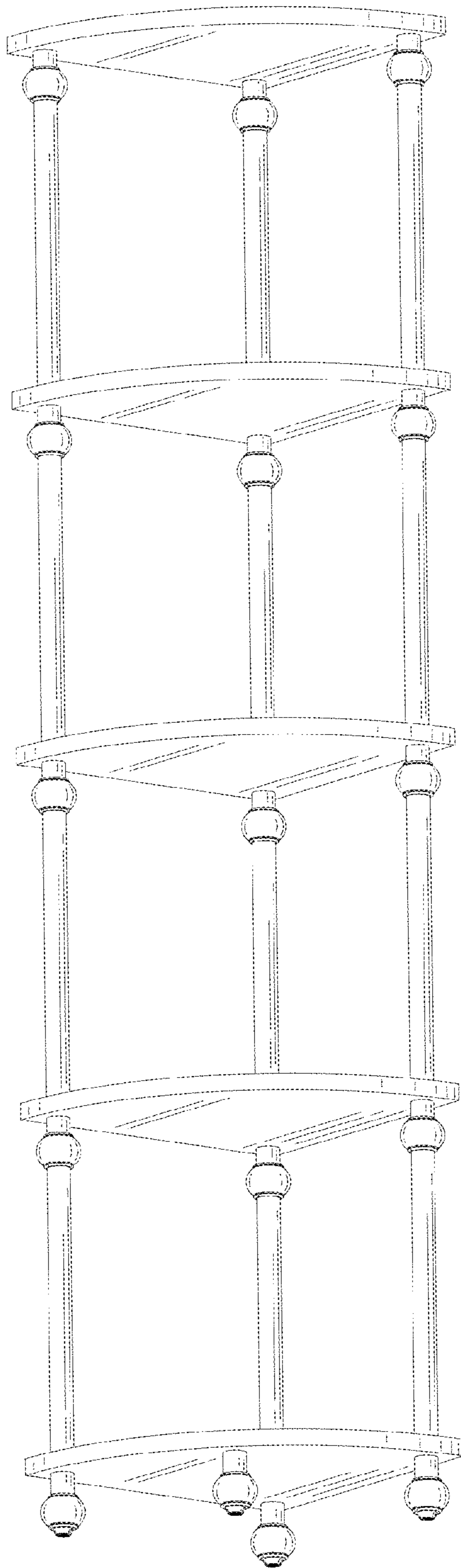


FIG. 2

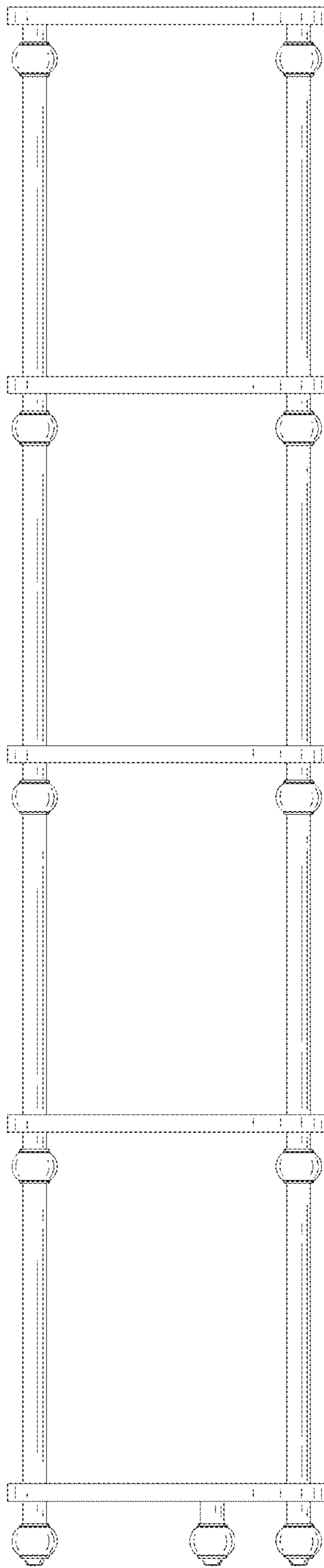


FIG. 3

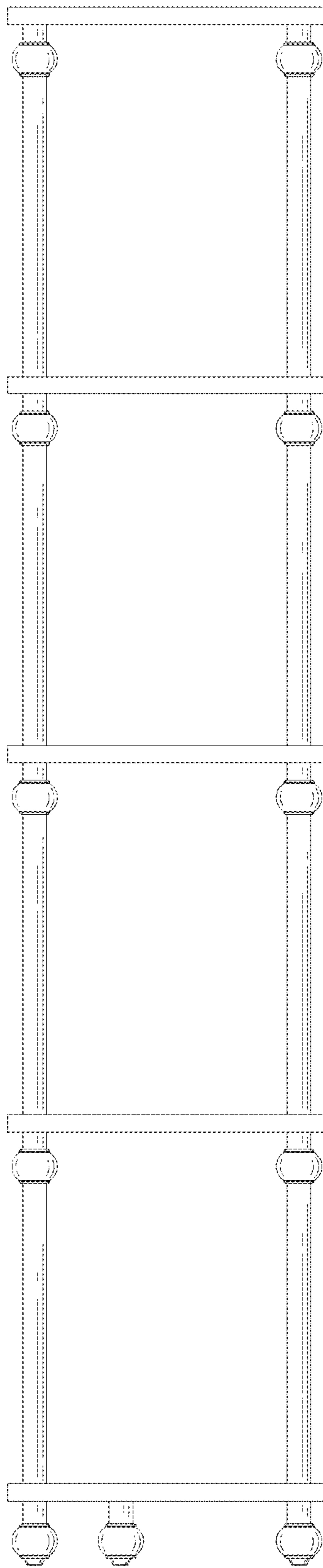


FIG. 4

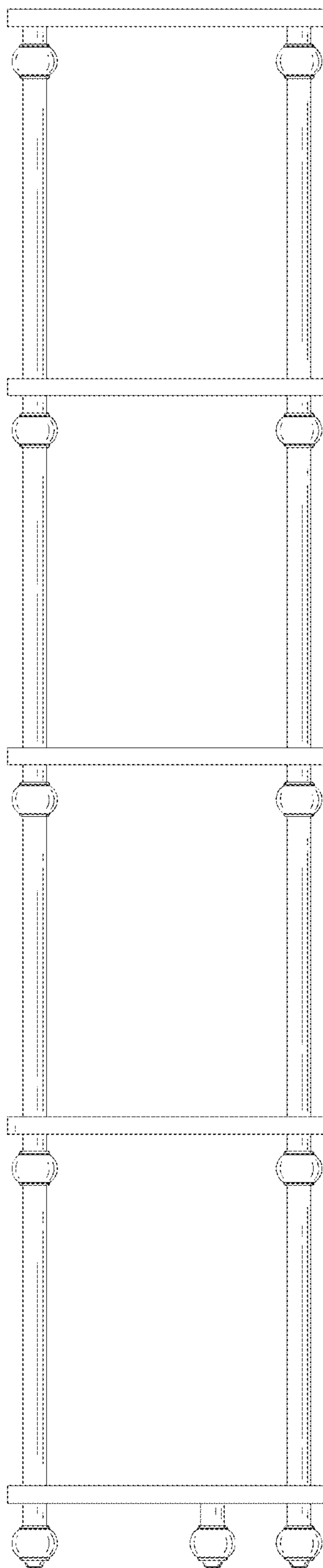


FIG. 5

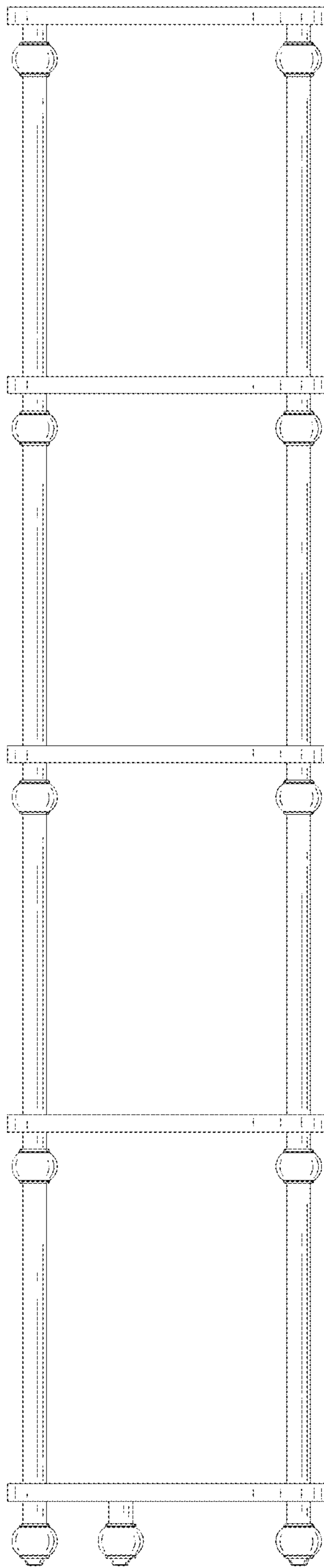


FIG. 6



FIG. 7

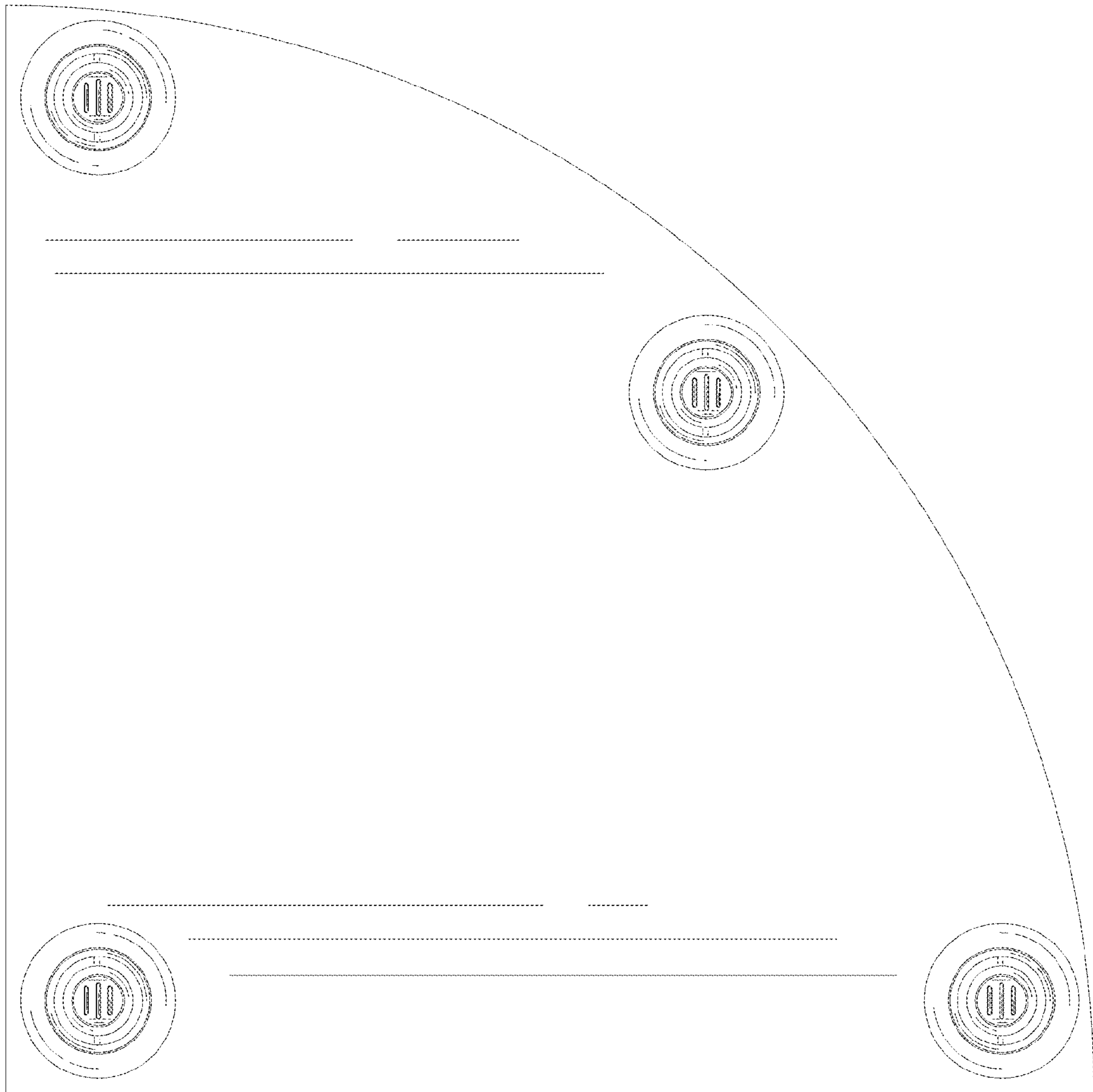


FIG. 8