



US00D950982S

(12) **United States Design Patent** (10) **Patent No.:** **US D950,982 S**
Lee (45) **Date of Patent:** **** May 10, 2022**

(54) **MAT**

(71) Applicant: **GoPlus Corp.**, Fontana, CA (US)

(72) Inventor: **Raymond Lee**, Houston, TX (US)

(73) Assignee: **GoPlus Corp.**, Fontana, CA (US)

(**) Term: **15 Years**

(21) Appl. No.: **29/691,392**

(22) Filed: **May 15, 2019**

(51) **LOC (13) Cl.** **06-09**

(52) **U.S. Cl.**
USPC **D6/604**

(58) **Field of Classification Search**
USPC D6/595, 596, 601, 604, 605, 606, 607,
D6/608, 609; 5/413 AM, 690, 706, 961,
5/716, 717, 718, 721, 495, 496, 497, 498,
5/499, 490, 491
CPC A47C 19/00; A47C 23/00; A47C 21/026;
A47C 27/00; A47C 27/06; A47C 27/08;
A47C 27/081; A47C 27/082; A47G 9/10;
A47G 9/1009; A47G 9/1027; A47G
9/1045; A47G 9/1063; A47G 9/1072;
A47G 9/1081

See application file for complete search history.

(56) **References Cited**

U.S. PATENT DOCUMENTS

D258,482 S * 3/1981 Strock 5/653
D291,586 S * 8/1987 Bourret D6/583
4,843,662 A * 7/1989 Handelman A47C 7/021
5/653
D306,543 S * 3/1990 Pestuglicci 5/653
D314,804 S * 2/1991 Thomas D21/809
D314,805 S * 2/1991 Thomas D21/809

(Continued)

FOREIGN PATENT DOCUMENTS

CN 306166232 * 11/2020
CN 306239900 * 12/2020

(Continued)

OTHER PUBLICATIONS

CANWAY Air Tumble Track Inflatable Gymnastic Mat, earliest pictured review Jan. 18, 2021 [online], [site visited Nov. 24, 2021]. Available from Internet, <URL: https://www.amazon.com/CANWAY-Inflatable-Gymnastics-Training-Cheerleading/dp/B08HVGWK49/ref=cm_cr_arp_d_product_top?ie=UTF8> (Year: 2021).*

(Continued)

Primary Examiner — Sanjeev Paul
(74) *Attorney, Agent, or Firm* — Troutman Pepper Hamilton Sanders LLP

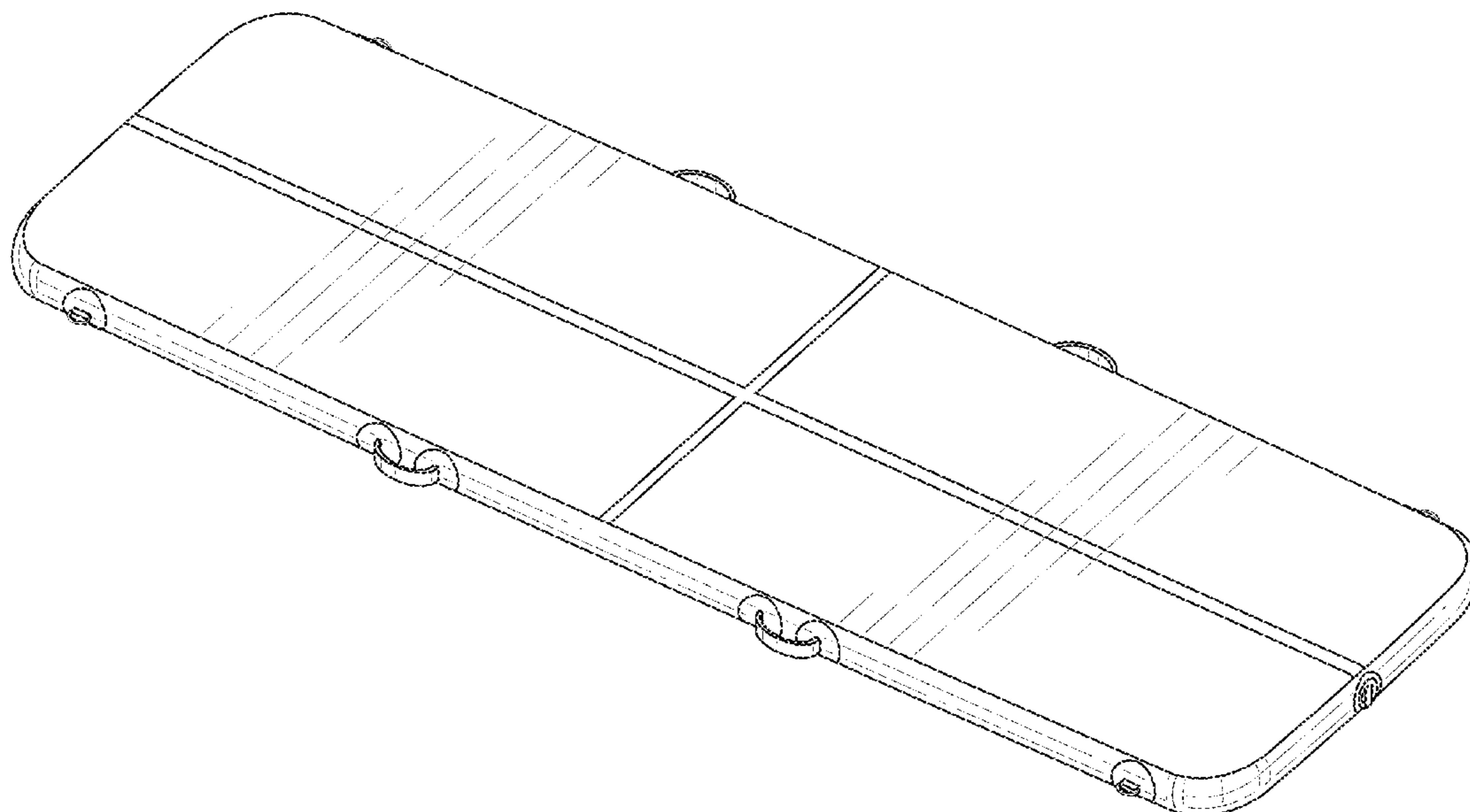
(57) **CLAIM**

I claim the ornamental design for a mat, as shown and described.

DESCRIPTION

FIG. 1 is an upper perspective view of the mat showing my new design;
FIG. 2 is a lower perspective view of the design shown in FIG. 1;
FIG. 3 is a right side plan view of the design shown in FIG. 1;
FIG. 4 is a left side plan view of the design shown in FIG. 1;
FIG. 5 is a front plan view of the design shown in FIG. 1;
FIG. 6 is a back plan view of the design shown in FIG. 1;
FIG. 7 is a top plan view of the design shown in FIG. 1; and,
FIG. 8 is a bottom plan view of the design shown in FIG. 1.
The shade lines shown represent surface shading and not surface ornamentation, color, or material type.

1 Claim, 8 Drawing Sheets



(56)

References Cited

U.S. PATENT DOCUMENTS

D315,076	S *	3/1991	Hanna	D6/601
D316,352	S *	4/1991	Anson	D6/596
D366,383	S *	1/1996	Briegleb	D6/601
6,387,013	B1 *	5/2002	Marquez	A63B 6/00 473/278
D514,860	S *	2/2006	Torres	D6/604
D544,281	S *	6/2007	Appleby	D6/582
D584,012	S *	12/2008	Abernathy	D30/118
D616,236	S *	5/2010	Morrison	D6/596
D624,615	S *	9/2010	Kusmierz	D21/686
8,096,923	B2 *	1/2012	White	A63B 23/0244 482/148
D708,456	S *	7/2014	Gil Gomez	D6/606
D712,682	S *	9/2014	Tjoflat	D6/605
D744,766	S *	12/2015	Morrison	D6/605
D744,767	S *	12/2015	Morrison	D6/605
D785,105	S *	4/2017	Armitage	D21/686
10,029,745	B2 *	7/2018	Wall, II	B62D 35/001
D849,445	S *	5/2019	Li	D6/596
D887,506	S *	6/2020	Chen	D21/686
D898,414	S *	10/2020	Roma	D6/596
D898,415	S *	10/2020	Roma	D6/596
D898,461	S *	10/2020	Zhang	D6/604
D899,150	S *	10/2020	Cheng	D6/605
D917,207	S *	4/2021	Yin	D6/605
2015/0314844	A1 *	11/2015	Sellmeyer	A47G 9/1027 441/125
2016/0166077	A1 *	6/2016	Liu	A47C 27/081 5/710

FOREIGN PATENT DOCUMENTS

EM	006792172-0001	*	9/2019
GB	9006511747-0001	*	5/2019
GB	9006792172-0001	*	8/2019

OTHER PUBLICATIONS

FBSPORT Inflatable Gymnastic Mat, earliest pictured review Oct. 26, 2019[online], [site visited Nov. 24, 2021]. Available from Internet, <URL: https://www.amazon.com/FBSPORT-Inflatable-Gymnastics-Tumbling-Cheerleading/dp/B083LPSF9L/ref=pd_lpo_2?pd_rd_i=B08S7M6H54&psc=1> (Year: 2019).*

EZ Glam Air Mat Tumble Track, earliest pictured review Nov. 14, 2017[online], [site visited Nov. 24, 2021]. Available from Internet, <URL: https://www.amazon.com/EZ-GLAM-Inflatable-Cheerleading-Dark/dp/B07F6DFGJR?ref_=ast_sto_dp&th=1&psc=1> (Year: 2017).*

Google search: "bath pillow" [site visited May 8, 2021]: https://www.google.com/search?q=inflatable+mat&sxsrf=AOaemvL7YKZA1c29jFET8sRsMs1lyuK2cw:1638496127284&source=lnms&tbm=isch&sa=X&ved=2ahUKEwj7nlfdwcb0AhWbmHIEHTA9C1YQ_AUoAnoECAwQBA&biw=1200&bih=1777&dpr=1 (Year: 2021).*

* cited by examiner

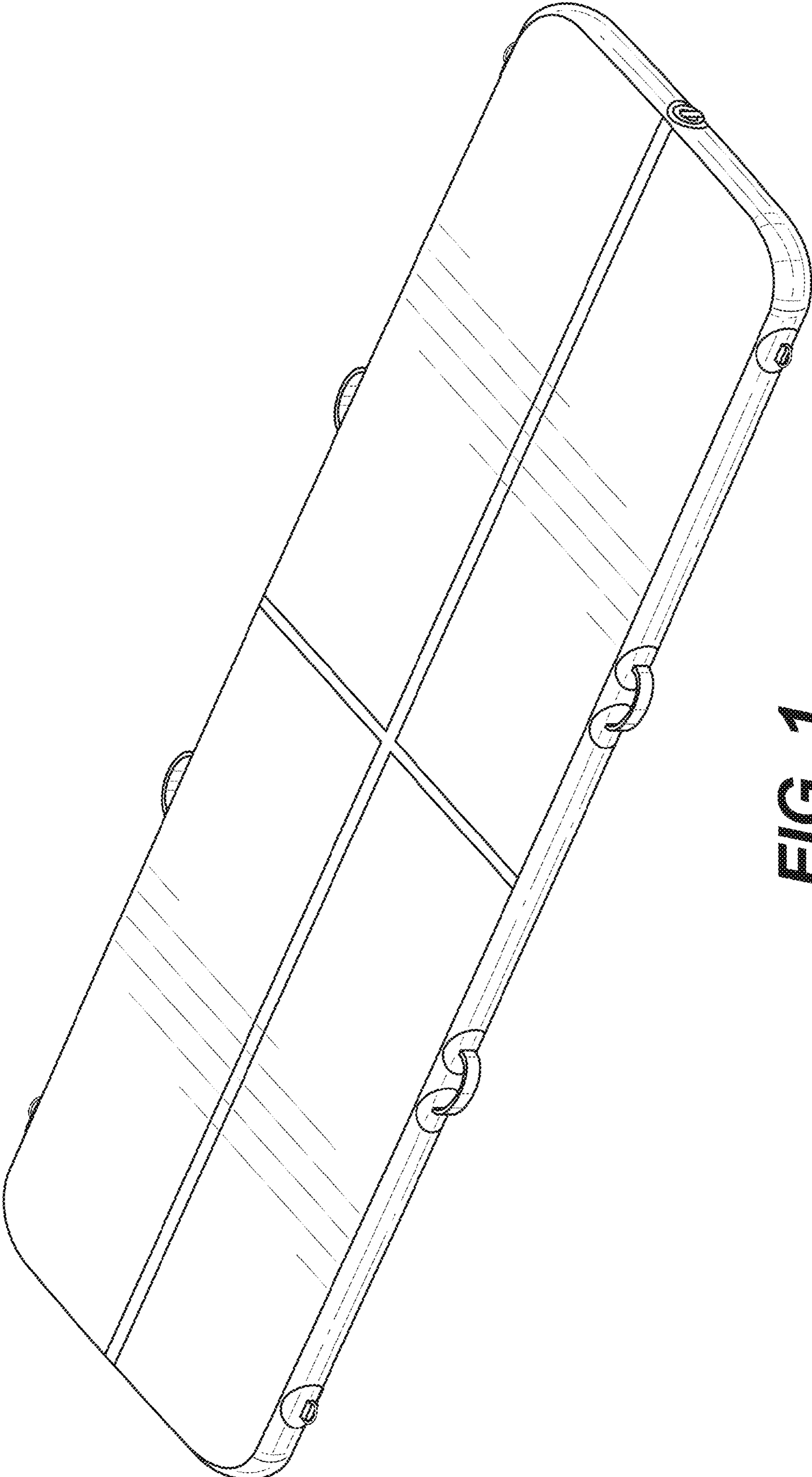


FIG. 1

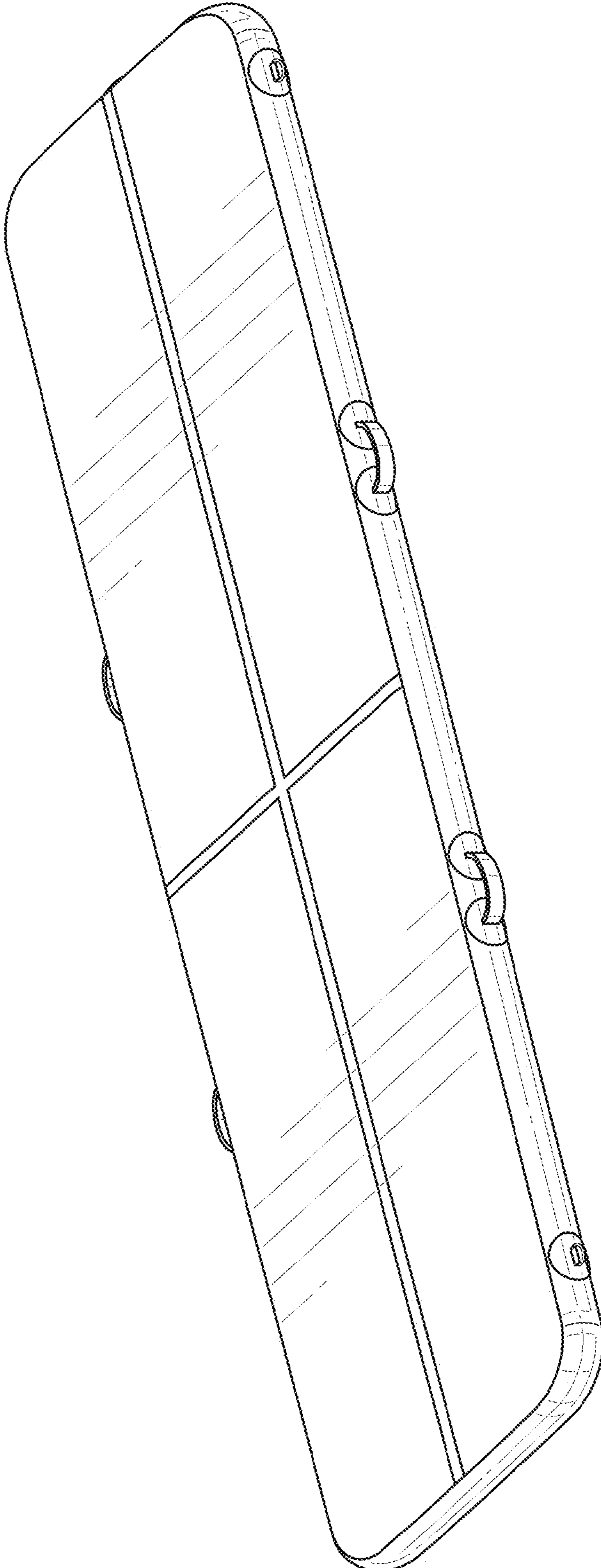


FIG. 2

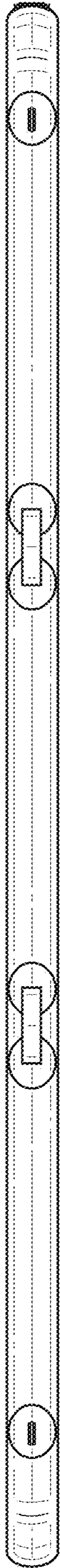


FIG. 3

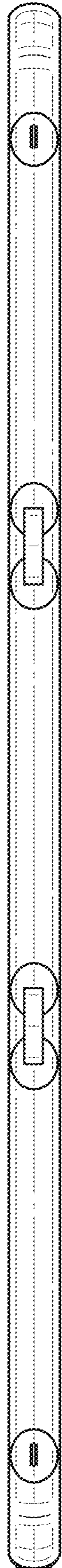


FIG. 4



FIG. 5

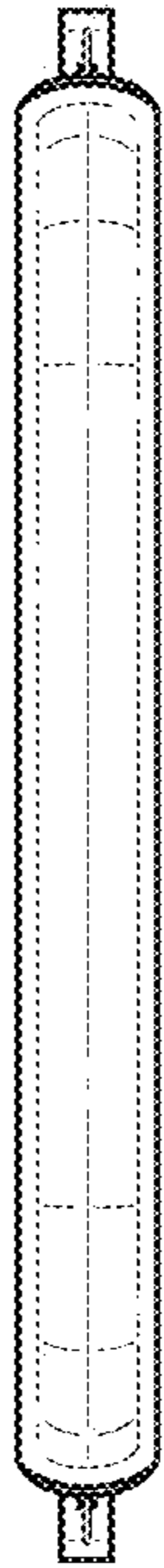


FIG. 6

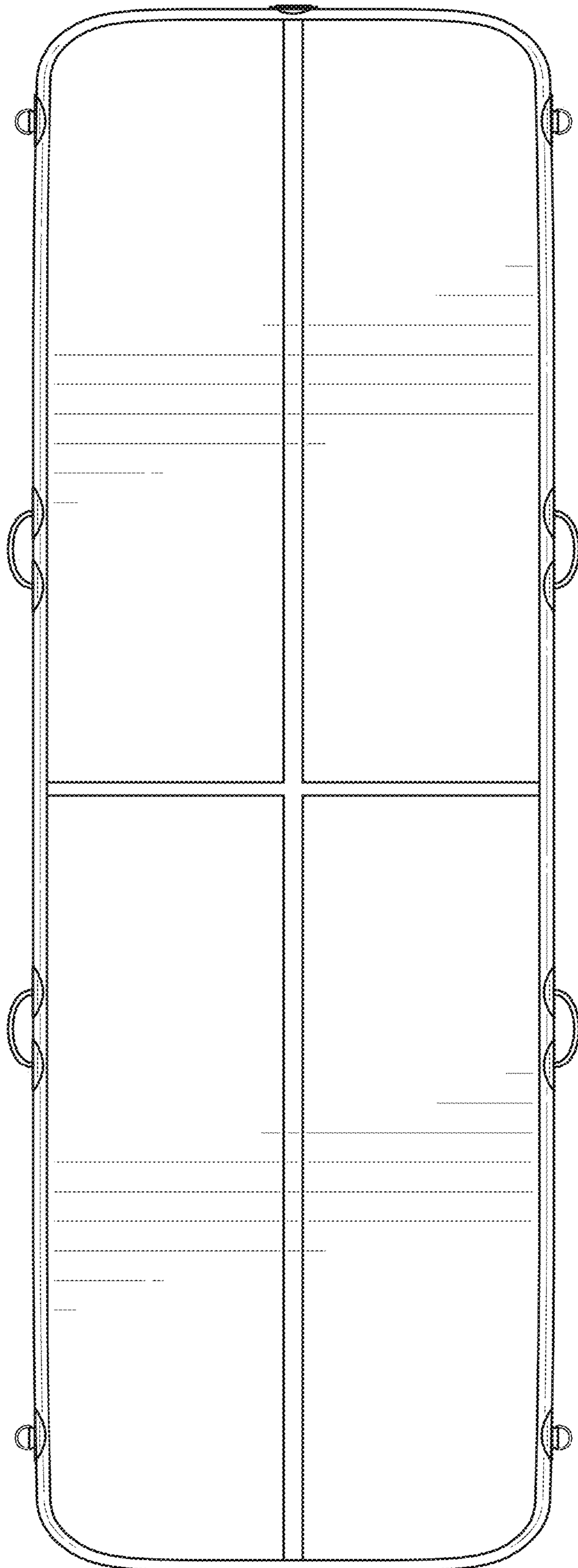


FIG. 7

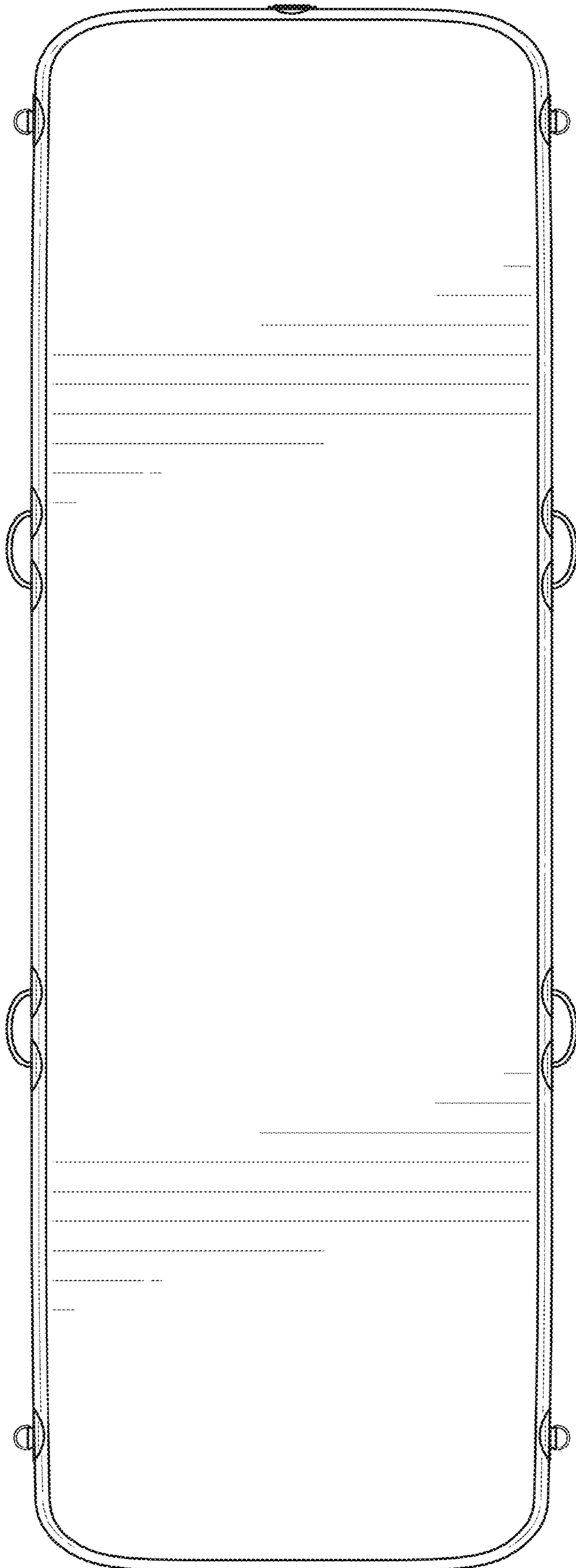


FIG. 8