



US00D950974S

(12) **United States Design Patent**
Kerr

(10) **Patent No.:** **US D950,974 S**

(45) **Date of Patent:** **** May 10, 2022**

(54) **COMPACT LAP AND TABLE WORK SURFACE WITH INTEGRATED STORAGE**

D836,937 S *	1/2019	Sullins	D6/406.3
D856,701 S *	8/2019	Flanagan	D6/406.3
D859,876 S *	9/2019	Melaragno	D6/406.1
D923,378 S *	6/2021	Wanner	D6/707.22
D930,654 S *	9/2021	Toner	D14/447

(71) Applicant: **Phillip Kerr**, Tracy, CA (US)

* cited by examiner

(72) Inventor: **Phillip Kerr**, Tracy, CA (US)

(**) Term: **15 Years**

Primary Examiner — Kelley A Donnelly

(21) Appl. No.: **29/760,621**

(74) *Attorney, Agent, or Firm* — Gerald R. Prettyman

(22) Filed: **Dec. 2, 2020**

(57) **CLAIM**

(51) **LOC (13) Cl.** **06-06**

The ornamental design for a compact lap and table work surface with integrated storage, as shown and described.

(52) **U.S. Cl.**

USPC **D6/406.3**

(58) **Field of Classification Search**

DESCRIPTION

USPC D6/406.1, 406.2, 406.3, 406.4, 406.5,
D6/406.6; D12/425

CPC A47B 13/081; A47B 23/00; A47B 23/002;
A47B 2023/048

See application file for complete search history.

FIG. 1 is a closed perspective view of a compact lap and table work surface with integrated storage, showing my new design;

(56) **References Cited**

U.S. PATENT DOCUMENTS

D173,944 S *	2/1955	Harris	D7/552.2
D311,828 S *	11/1990	Clark	D7/552.2
D331,330 S *	12/1992	Bennett	D6/406.3
D351,738 S *	10/1994	LaCombe	D12/416
D353,276 S *	12/1994	Foran	D6/406.3
D435,196 S *	12/2000	Gregor	D7/553.5
D438,029 S *	2/2001	Brey	D6/406.3
D443,434 S *	6/2001	Tinsley	D6/406.3
D472,728 S *	4/2003	Harris	D6/406.3
D499,575 S *	12/2004	Chan	D6/406.3
D512,245 S *	12/2005	Bean	D6/406.3
D573,940 S *	7/2008	Heneghan	D12/425
D619,823 S *	7/2010	Jennings	D6/406.3
D704,276 S *	5/2014	Carmack	D21/470
D724,343 S *	3/2015	Sinha	D6/406.3

FIG. 2 is an open top-front-right perspective view thereof;

FIG. 3 is an open top-rear perspective view thereof;

FIG. 4 is a closed top view thereof;

FIG. 5 is a bottom plan view thereof;

FIG. 6 is a closed front plan view thereof;

FIG. 7 is a closed rear plan view thereof; the left side is a mirror image thereof;

FIG. 8 is a closed right side plan view thereof; the left side is a mirror image thereof;

FIG. 9 is a closed top plan view thereof;

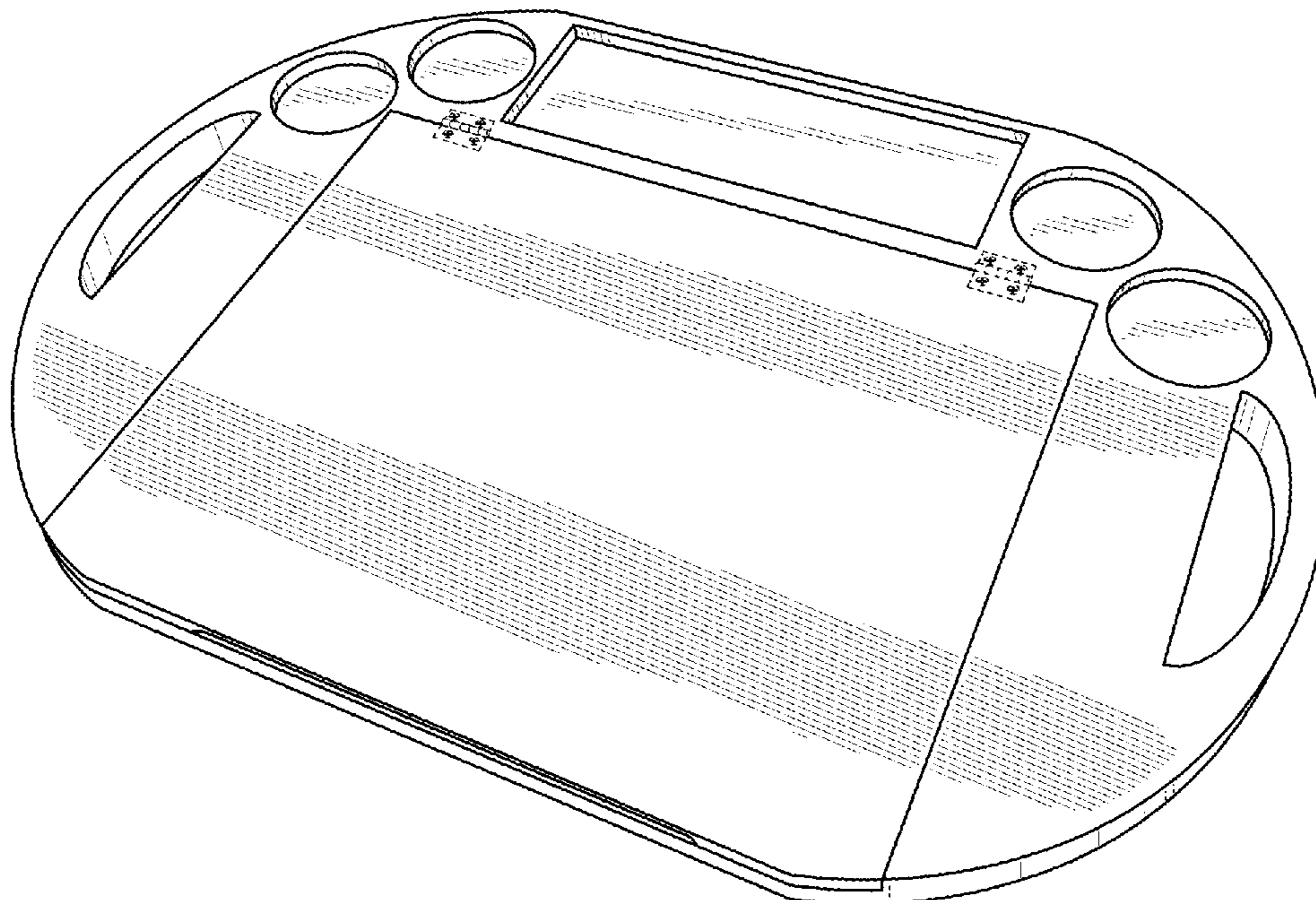
FIG. 10 is an open front plan view thereof;

FIG. 11 is an open rear plan view thereof; and,

FIG. 12 is an open right side plan view thereof; the left side is a mirror image thereof.

The broken lines depict portions in which the design is embodied that form no part of the claimed design.

1 Claim, 10 Drawing Sheets



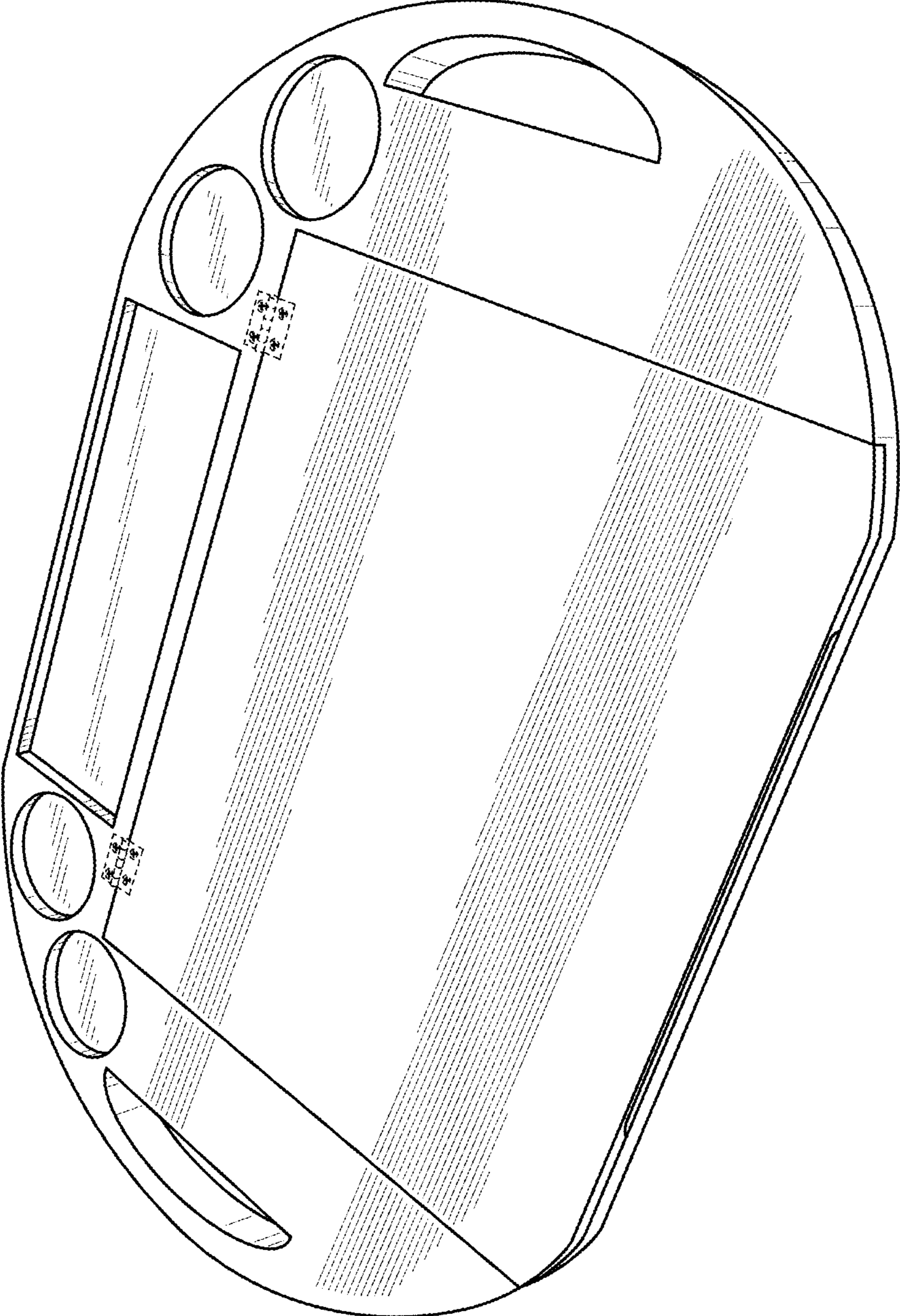


FIG. 1

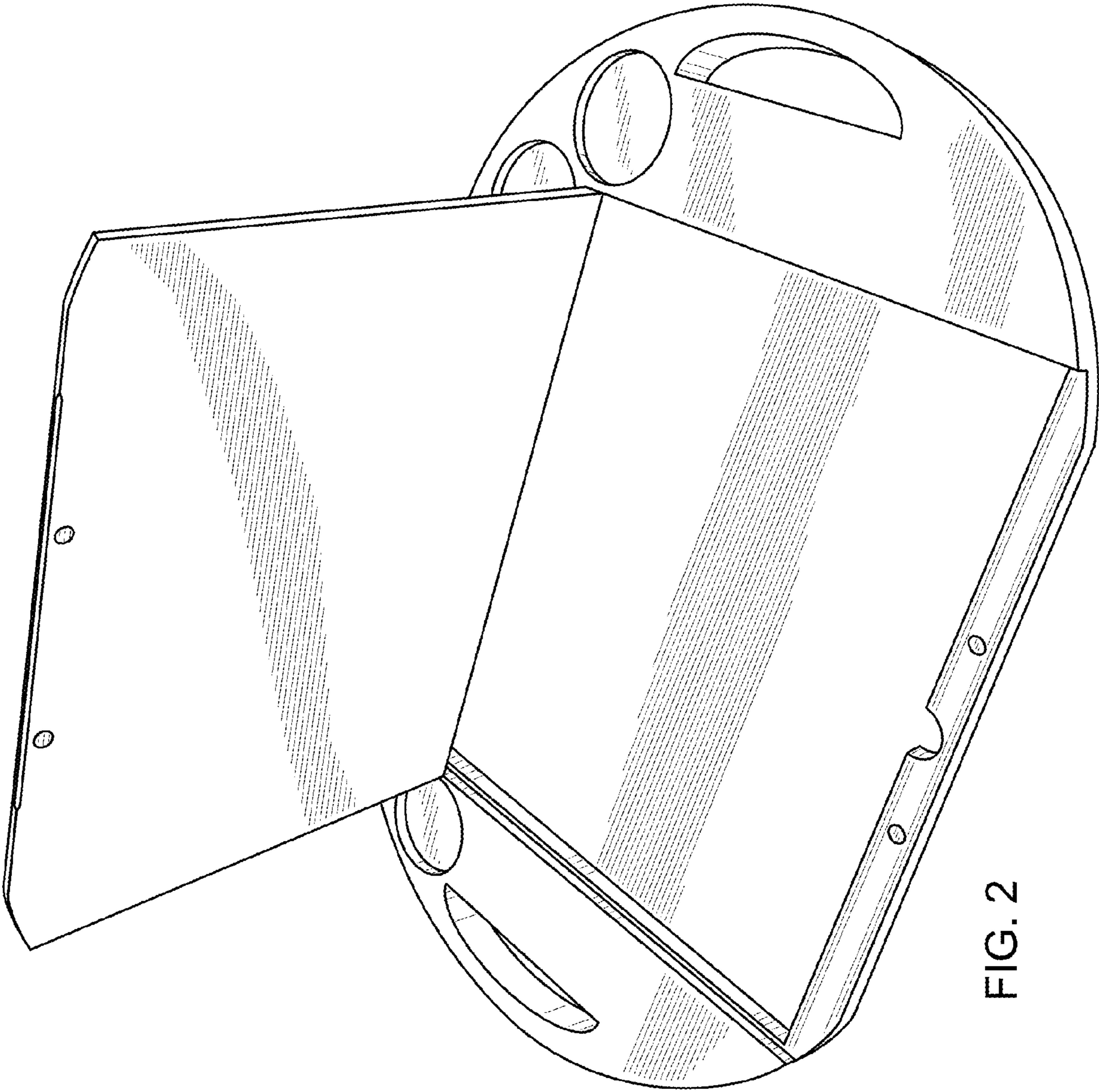


FIG. 2

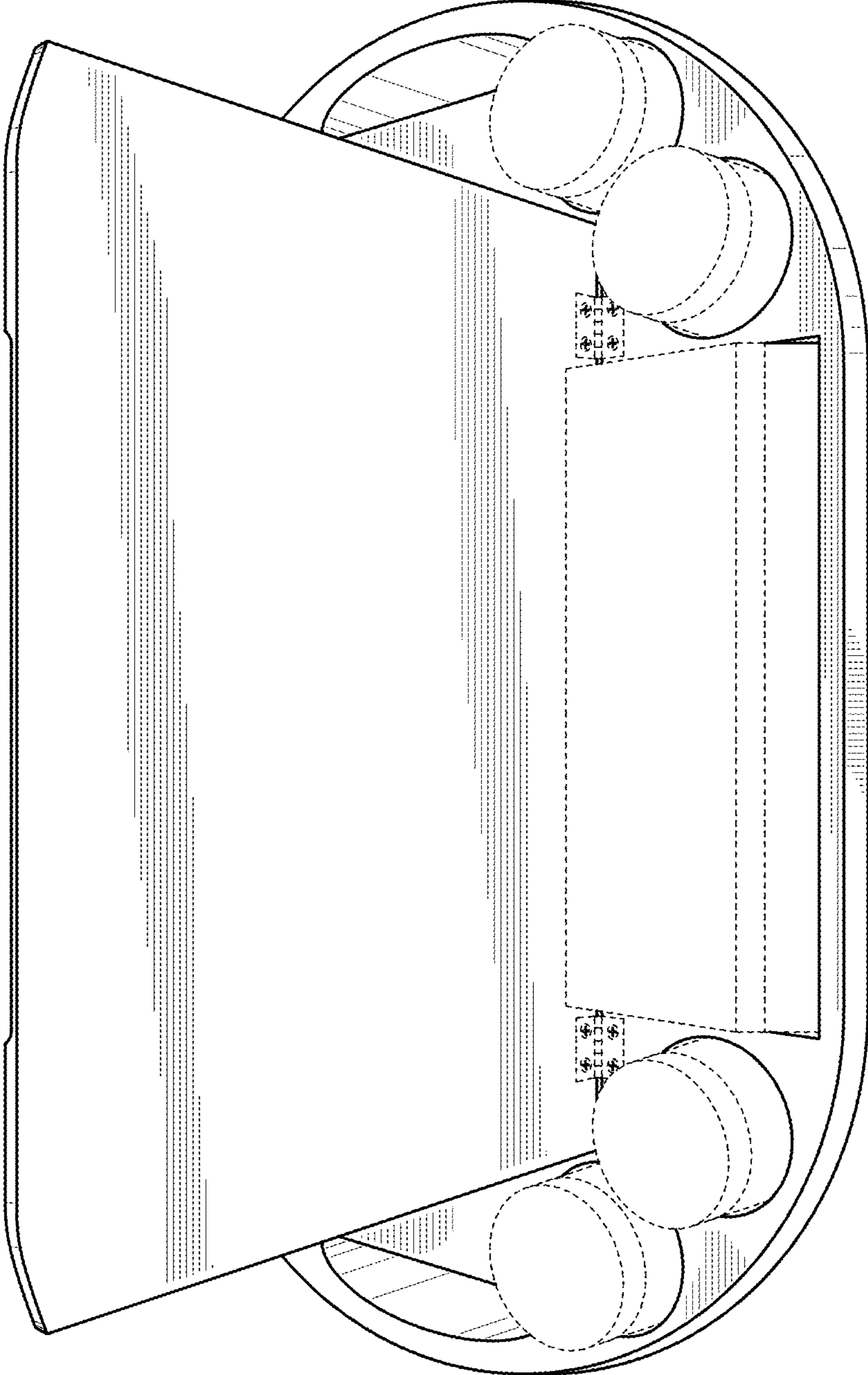


FIG. 3

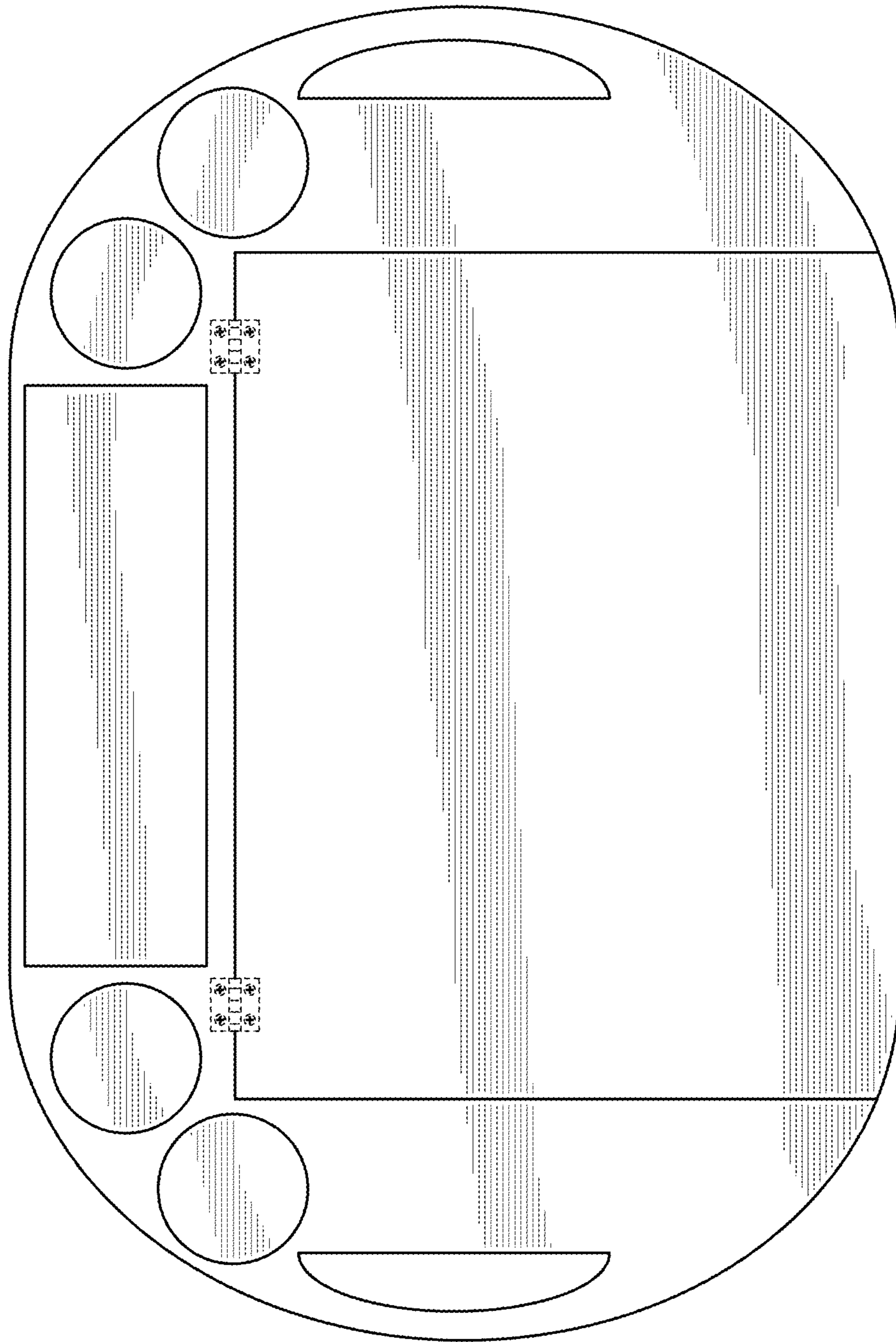


FIG. 4

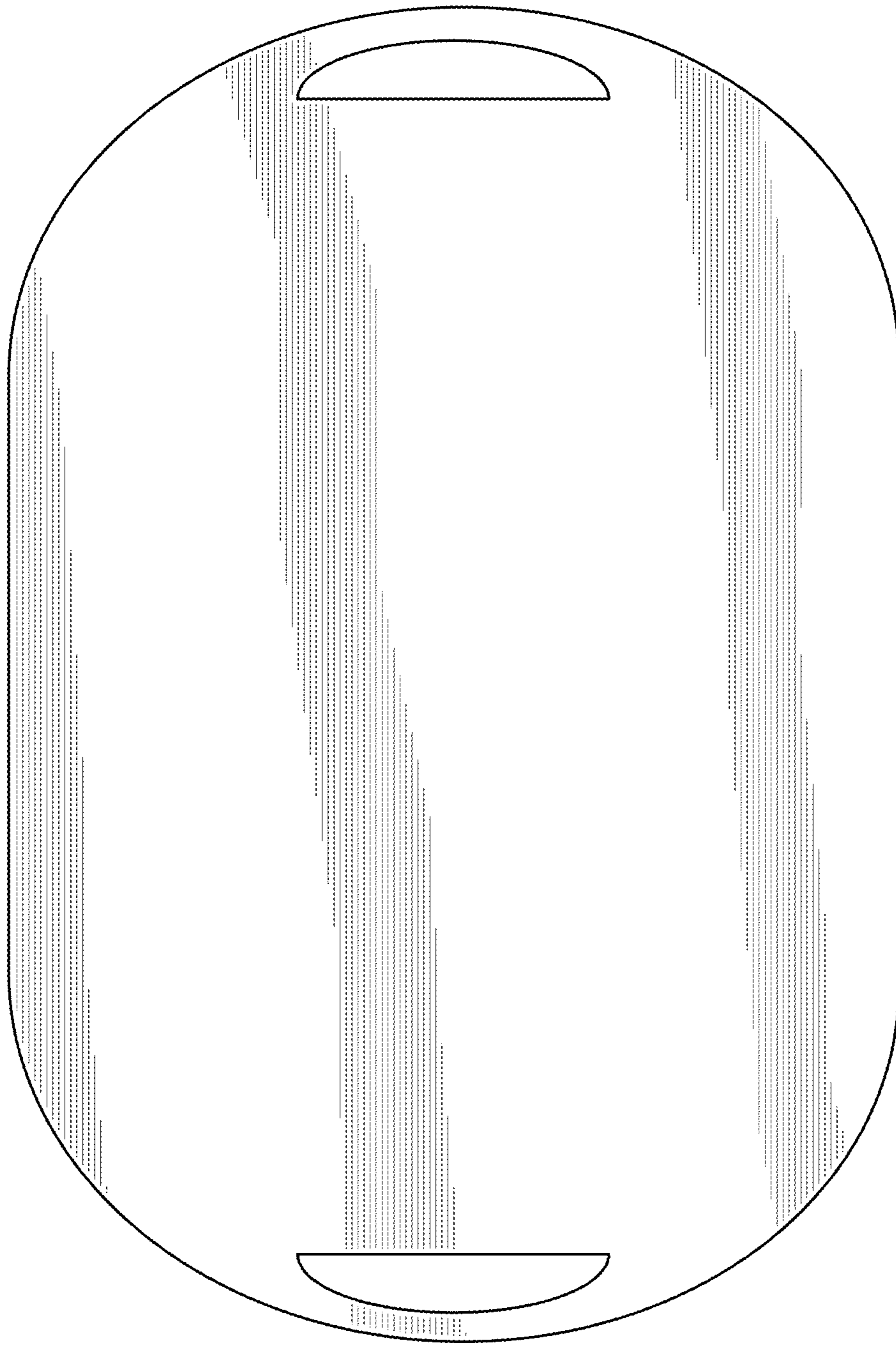


FIG. 5

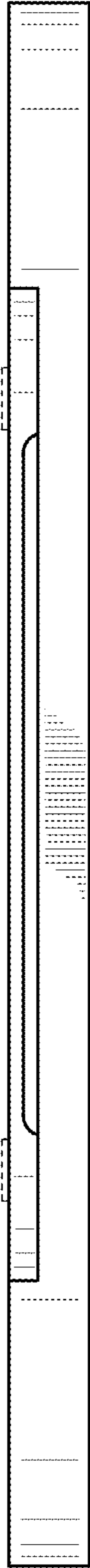


FIG. 6

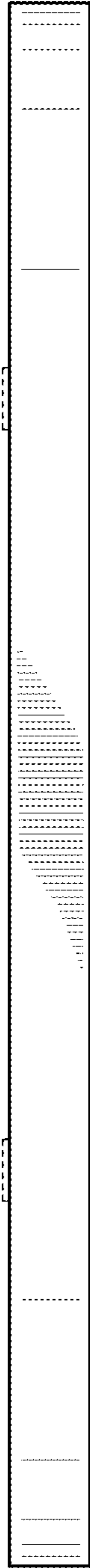


FIG. 7

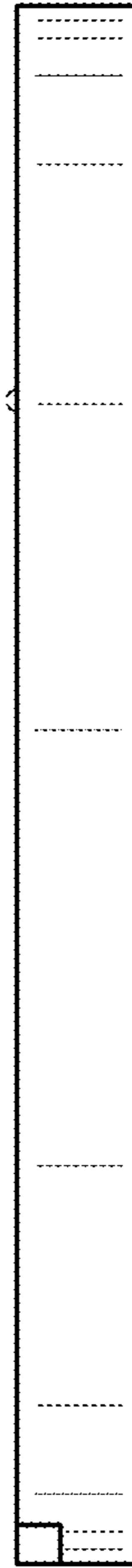


FIG. 8

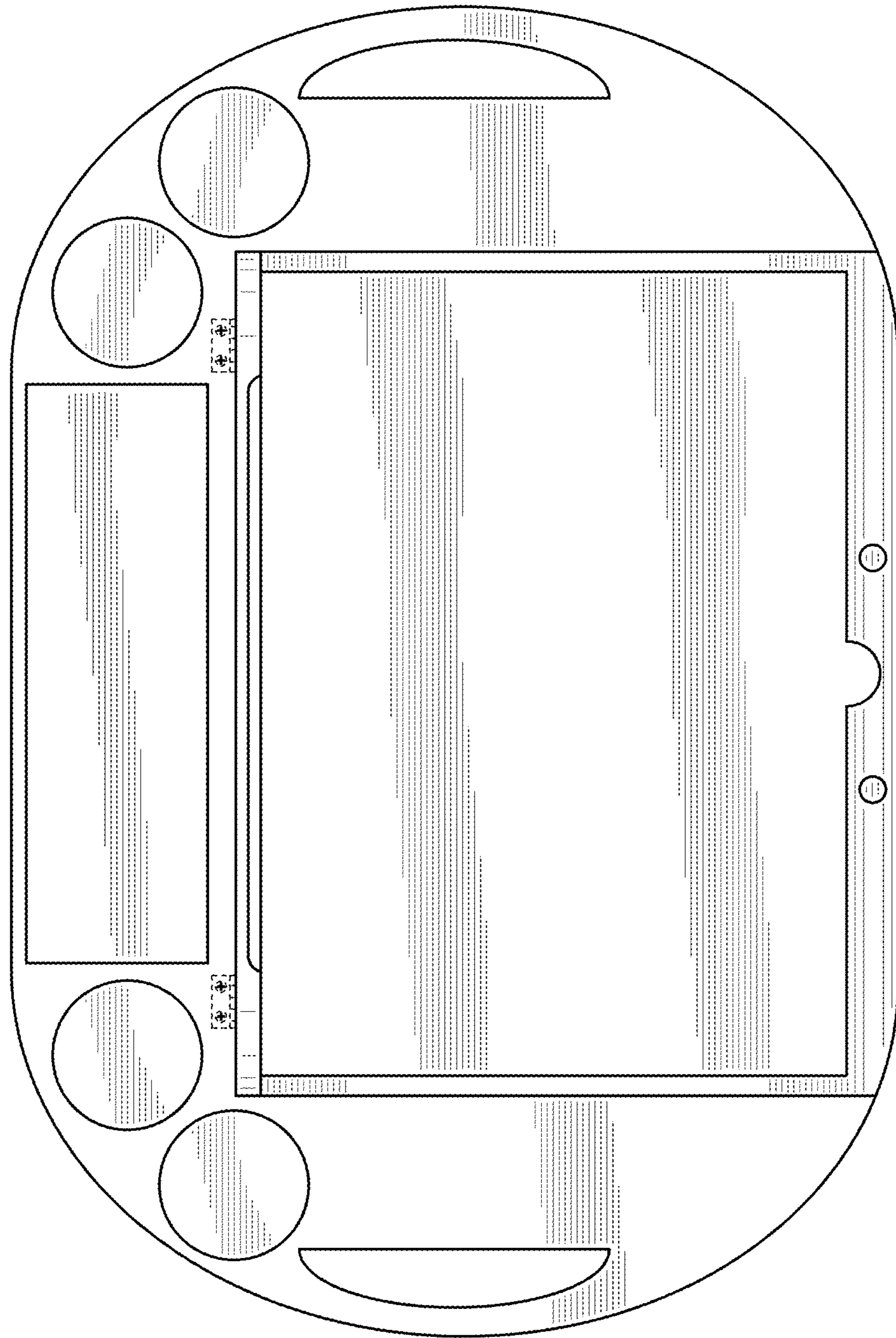


FIG. 9

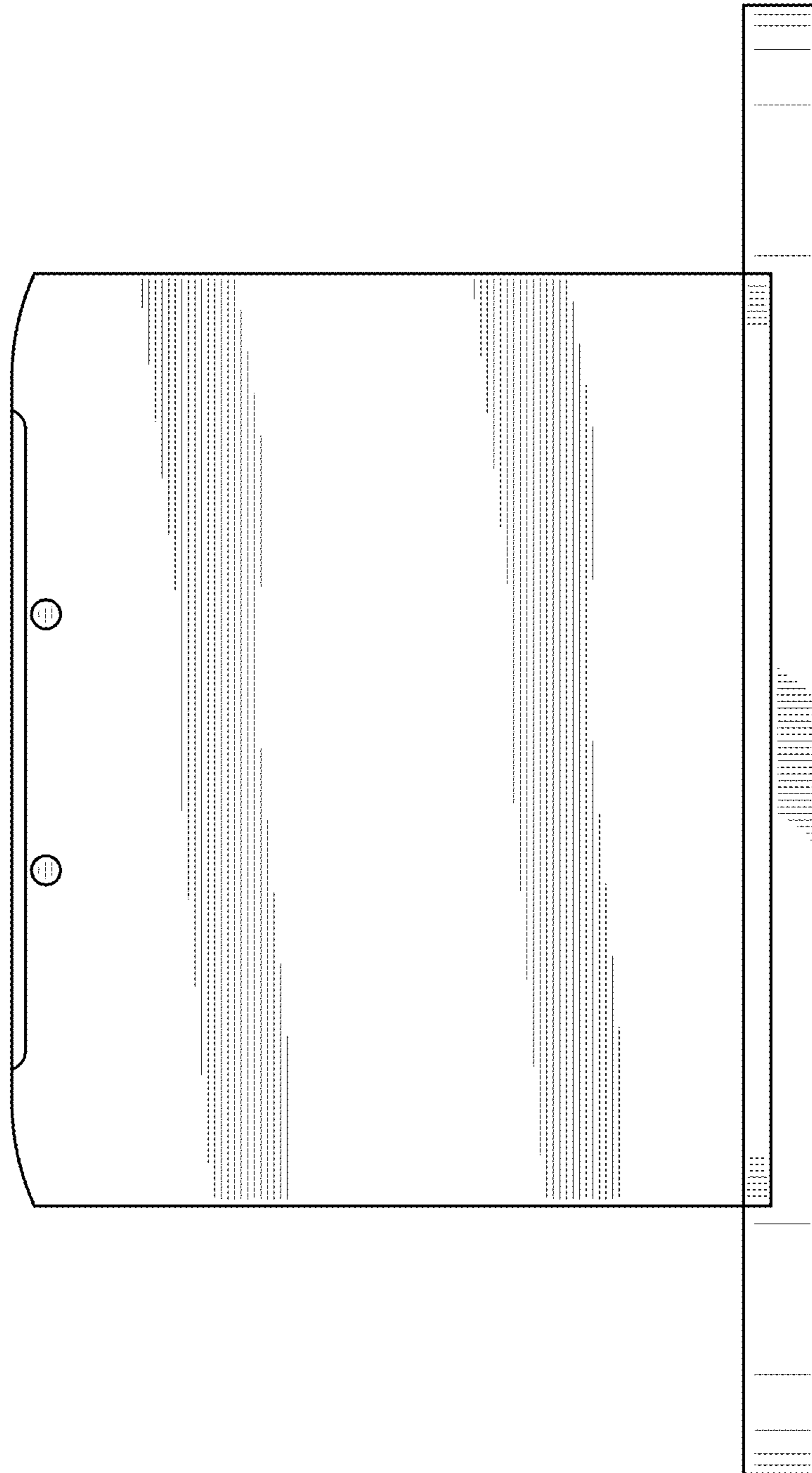


FIG. 10

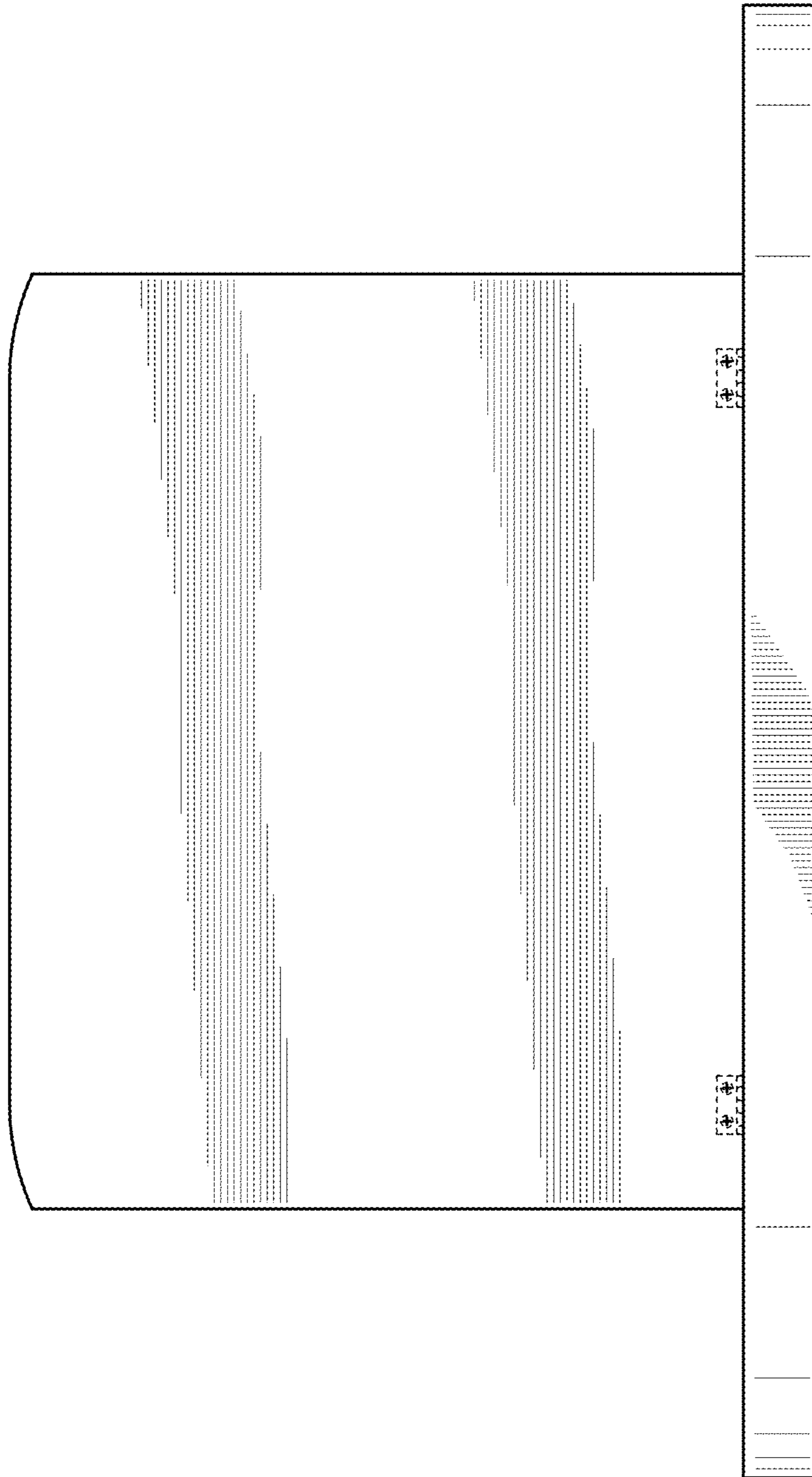


FIG. 11

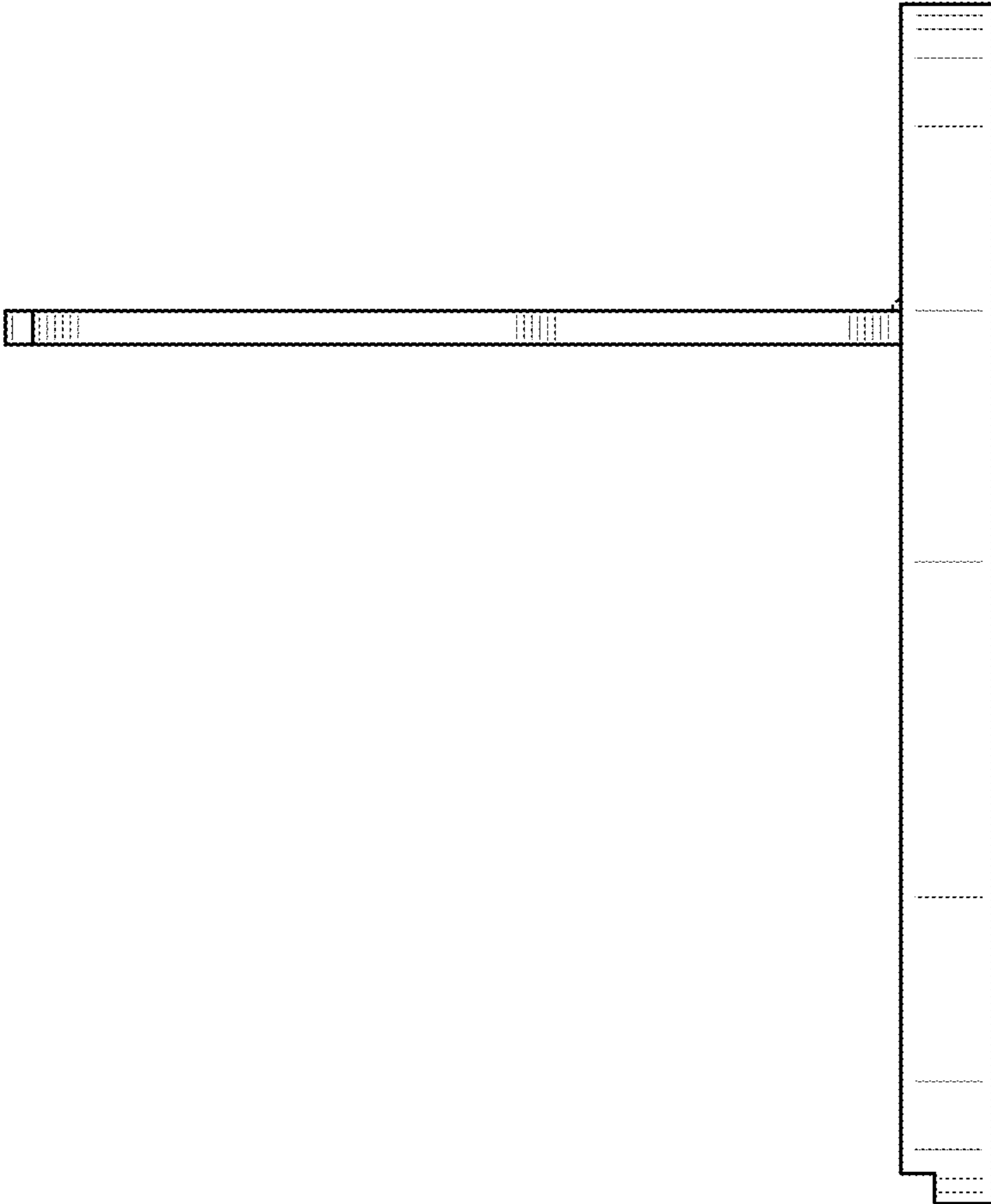


FIG. 12