



US00D950973S

(12) **United States Design Patent**
Hendifar

(10) **Patent No.:** **US D950,973 S**

(45) **Date of Patent:** **** May 10, 2022**

(54) **TABLE**

(71) Applicant: **Apparatus LLC**, New York, NY (US)

(72) Inventor: **Gabriel Hendifar**, New York, NY (US)

(73) Assignee: **APPARATUS LLC**, New York, NY (US)

(**) Term: **15 Years**

(21) Appl. No.: **29/652,822**

(22) Filed: **Dec. 10, 2020**

(51) **LOC (13) Cl.** **06-06**

(52) **U.S. Cl.**
USPC **D6/406.3; D6/691.4**

(58) **Field of Classification Search**
USPC D6/406.1, 406.2, 406.3, 406.4, 406.5,
D6/406.6, 672, 675, 656, 656.15, 708.15,
D6/708.1, 692.3, 691.4, 691.3; D14/447
CPC .. A47B 1/00; A47B 3/00; A47B 3/083; A47B
5/006; A47B 5/02; A47B 13/00; A47B
13/14; A47B 23/00; A47B 23/02; A47B
23/04

See application file for complete search history.

(56) **References Cited**

U.S. PATENT DOCUMENTS

D363,492 S *	10/1995	Brussing	D14/251
D696,675 S *	12/2013	Delrue	D14/447
D705,234 S *	5/2014	Guran	D14/447
D724,598 S *	3/2015	Gelsomini	D14/447
D749,869 S *	2/2016	Wenji	D6/406.2
D766,610 S *	9/2016	Johnson	D6/406.1
D787,223 S *	5/2017	Lu	D6/406.2
D792,414 S *	7/2017	Floersch	D14/447
D823,010 S *	7/2018	Razon	D6/330
D873,048 S *	1/2020	Tsukii	D6/406.2
D873,897 S *	1/2020	Wengreen	D16/242
D883,704 S *	5/2020	Monnes	D6/406.1

D906,742 S *	1/2021	Dai	D6/692.3
D927,498 S *	8/2021	Wang	D14/447
D929,162 S *	8/2021	Schneck	D6/692.3
D930,004 S *	9/2021	van Hooft	D14/447
D940,725 S *	1/2022	Jia	D14/447

* cited by examiner

Primary Examiner — Kelley A Donnelly

(74) *Attorney, Agent, or Firm* — Gottlieb, Rackman & Reisman, P.C.

(57) **CLAIM**

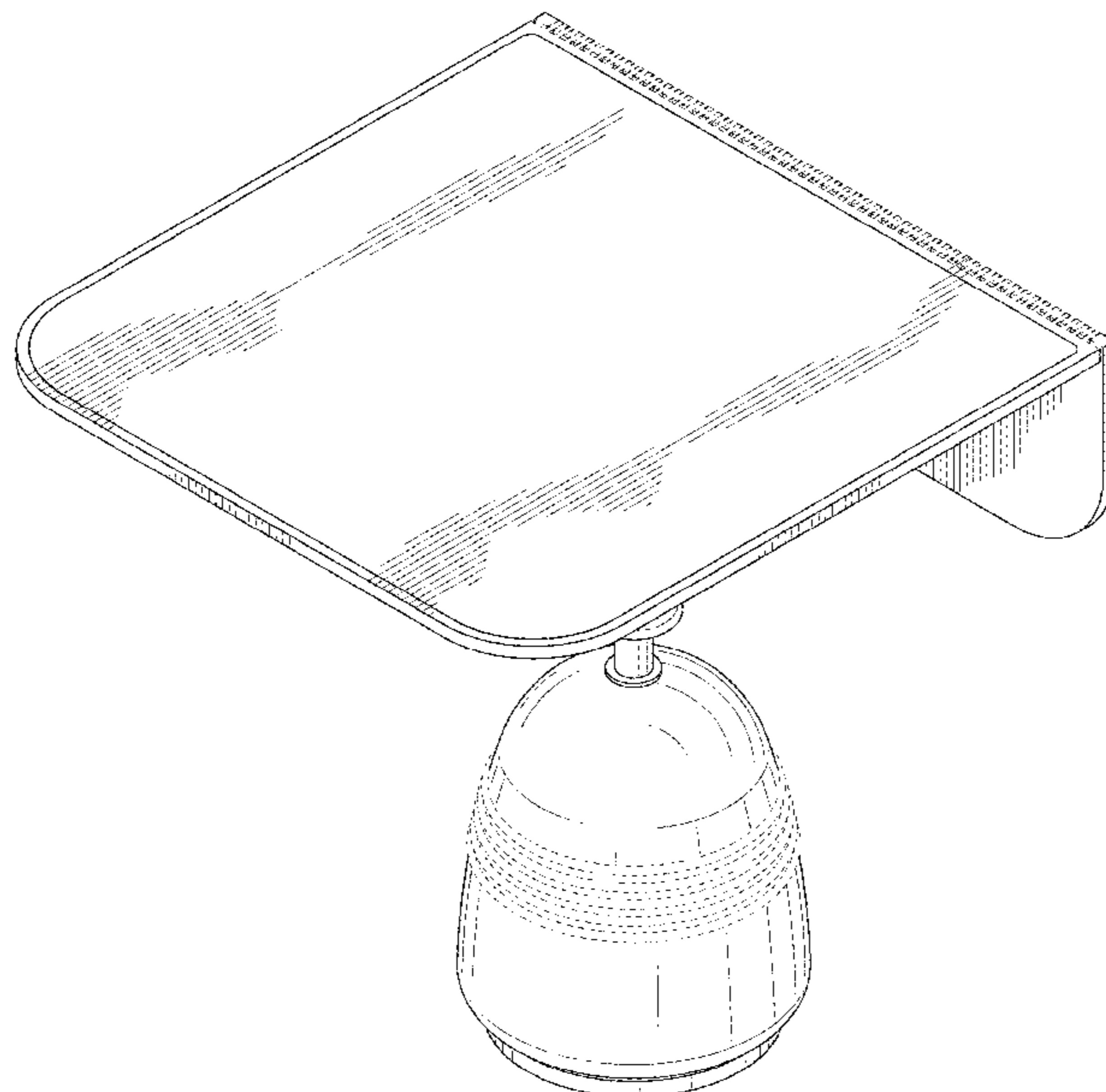
The ornamental design for a table, as shown and described.

DESCRIPTION

FIG. 1 is a front top perspective view of a table in a closed configuration showing my new design;
 FIG. 2 is a front bottom perspective view of FIG. 1;
 FIG. 3 is a front elevational view of FIG. 1;
 FIG. 4 is a rear elevational view of FIG. 1;
 FIG. 5 is a left side elevational view of FIG. 1;
 FIG. 6 is a right side elevational view of FIG. 1;
 FIG. 7 is a top plan view of FIG. 1;
 FIG. 8 is a bottom plan view of FIG. 1;
 FIG. 9 is a front top perspective view of a table in an open configuration;
 FIG. 10 is a front bottom perspective view of FIG. 9;
 FIG. 11 is a front elevational view of FIG. 9;
 FIG. 12 is a rear elevational view of FIG. 9;
 FIG. 13 is a left side elevational view of FIG. 9;
 FIG. 14 is a right side elevational view of FIG. 9;
 FIG. 15 is a top plan view of FIG. 9; and,
 FIG. 16 is a bottom plan view of FIG. 9.

The broken lines shown in the drawings are included for the purpose of illustrating elements of the table that form no part of the claimed design.

1 Claim, 16 Drawing Sheets



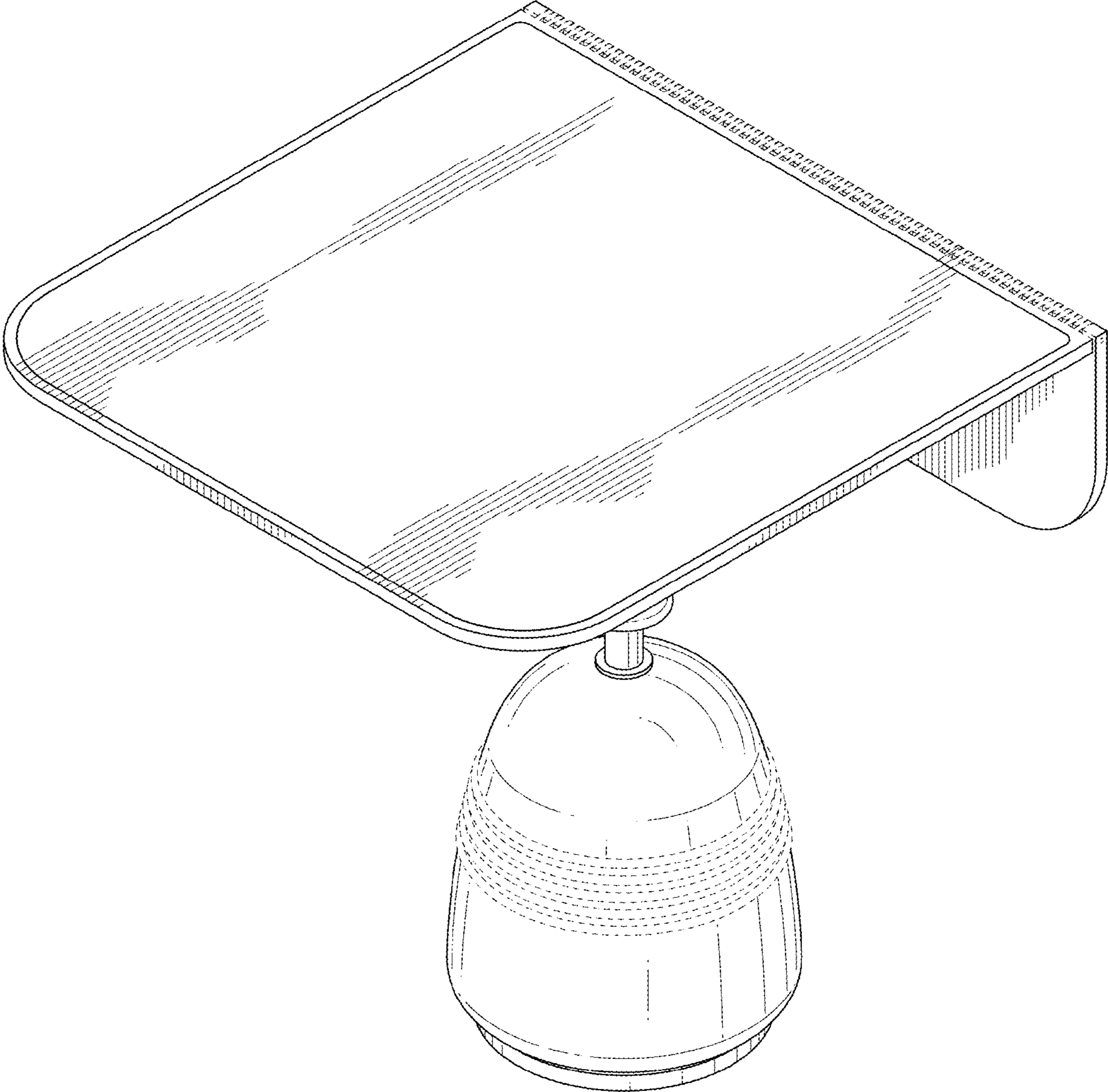


FIG. 1

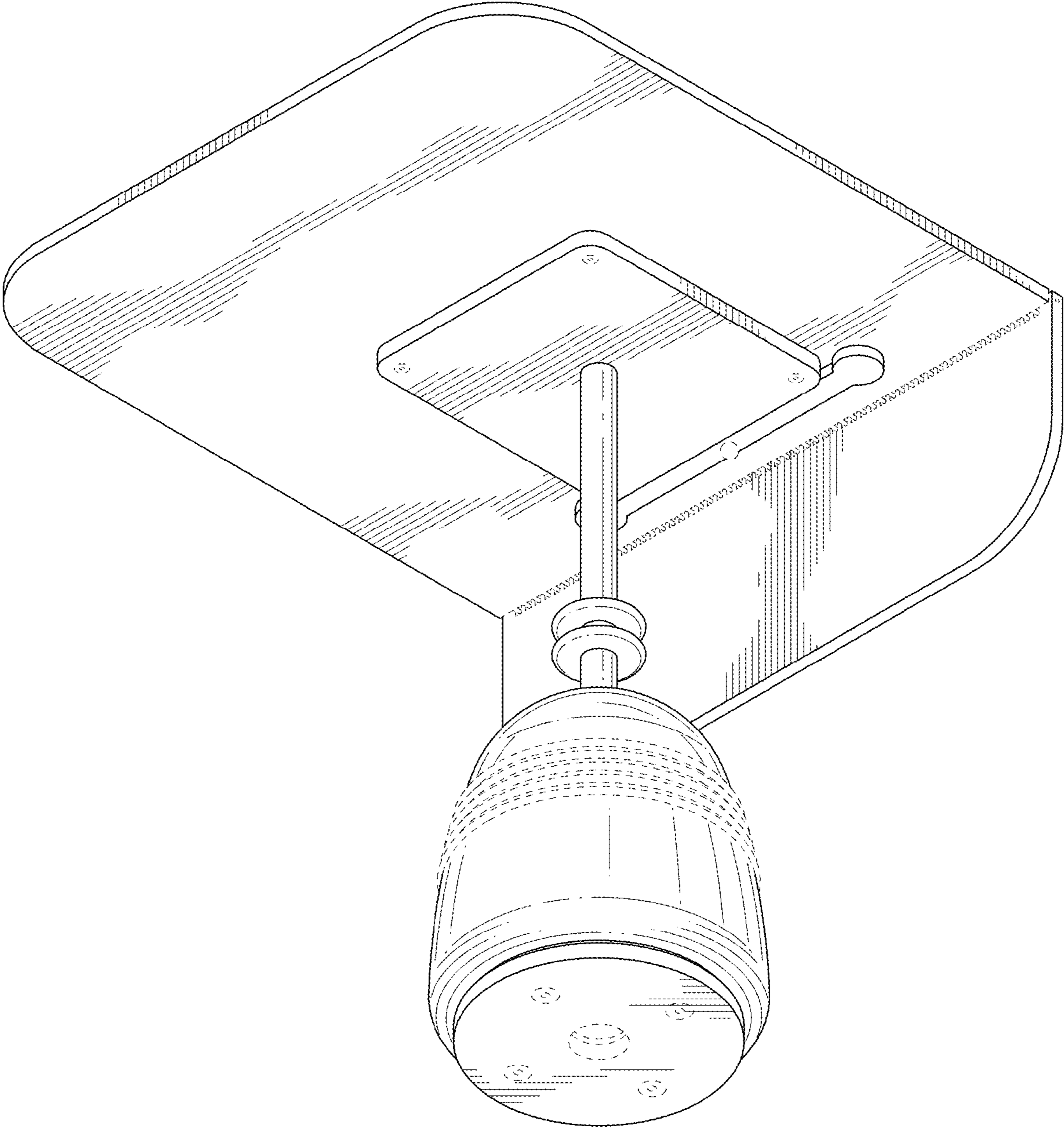


FIG. 2

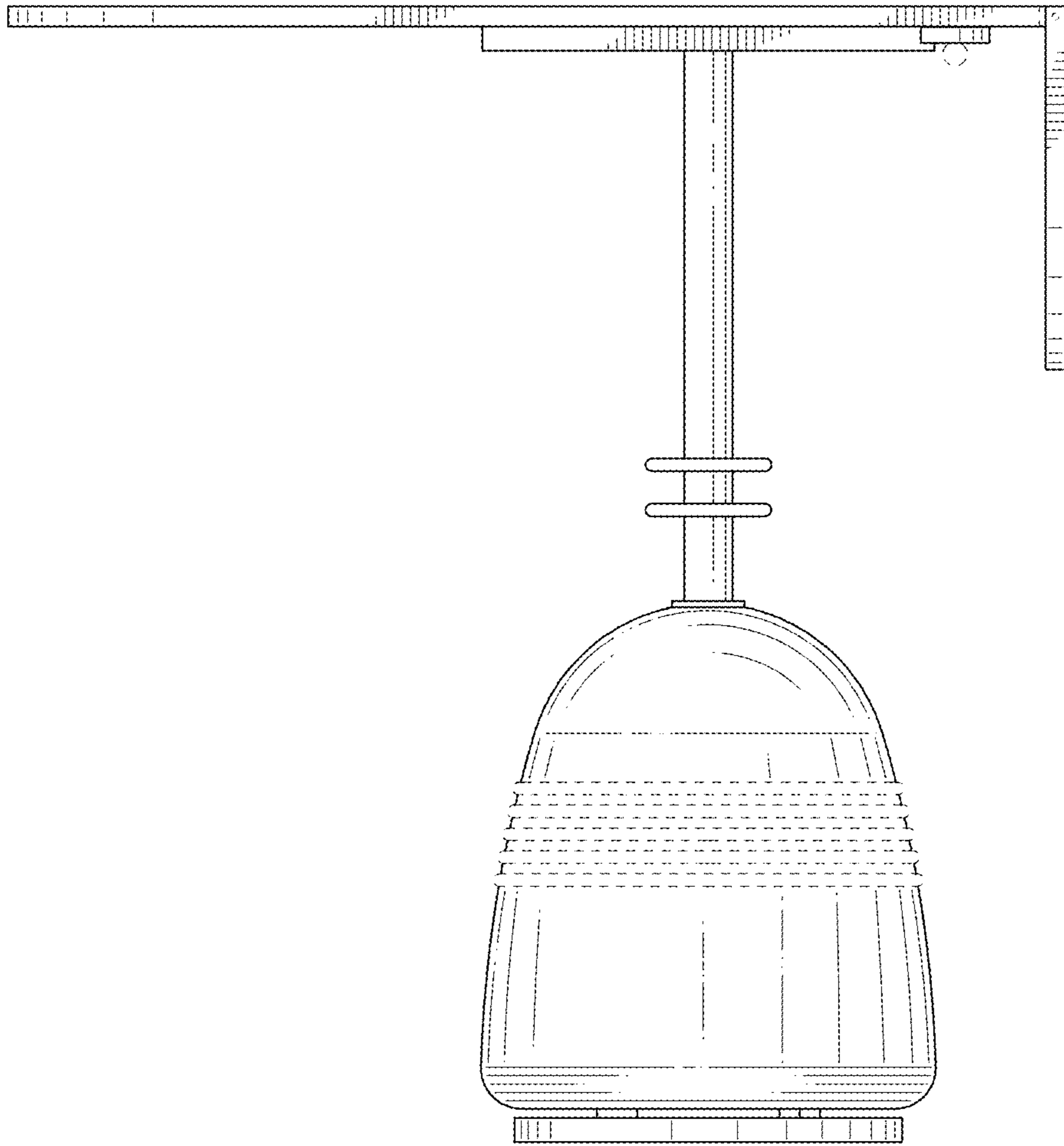


FIG. 3

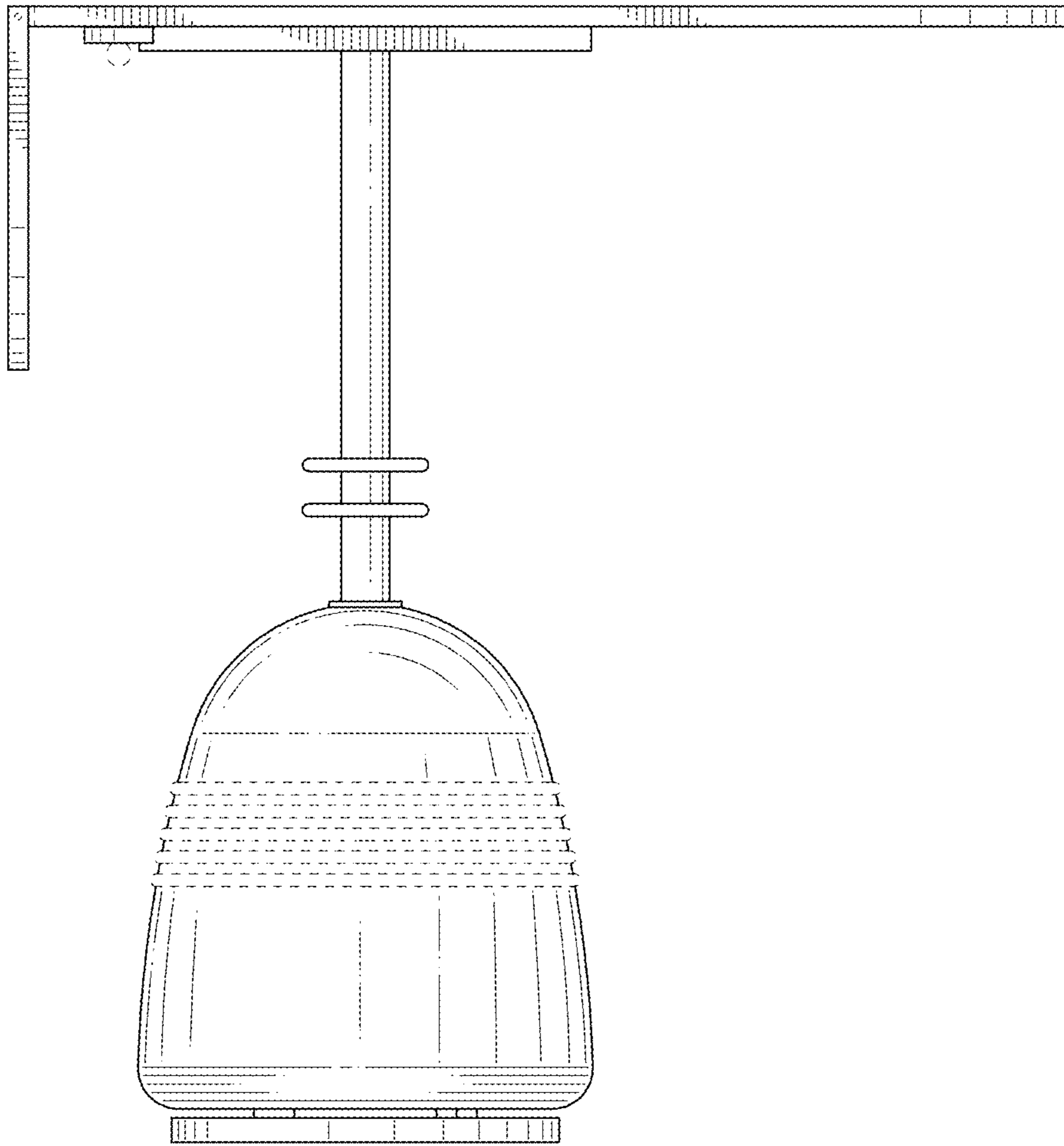


FIG.4

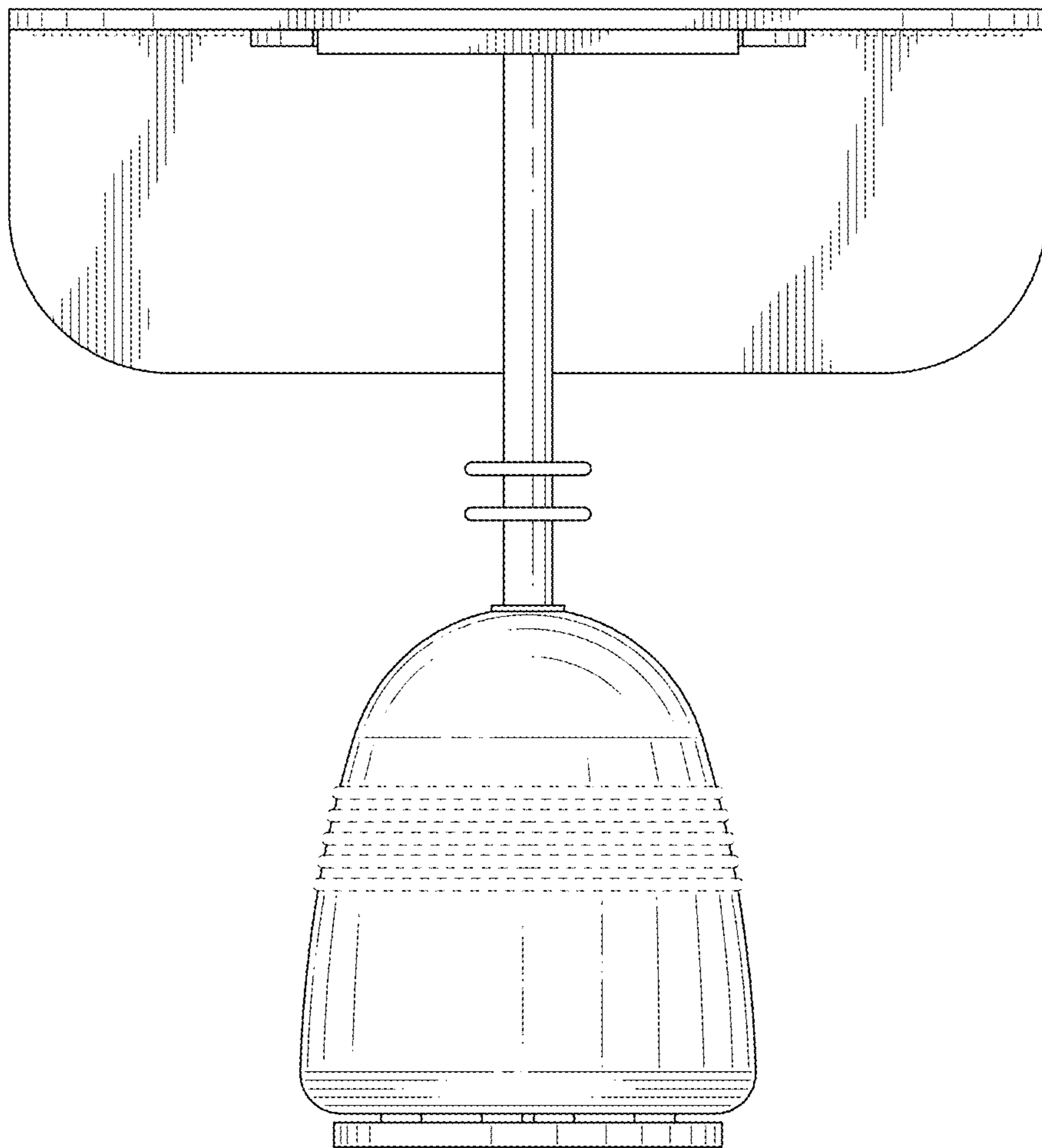


FIG. 5

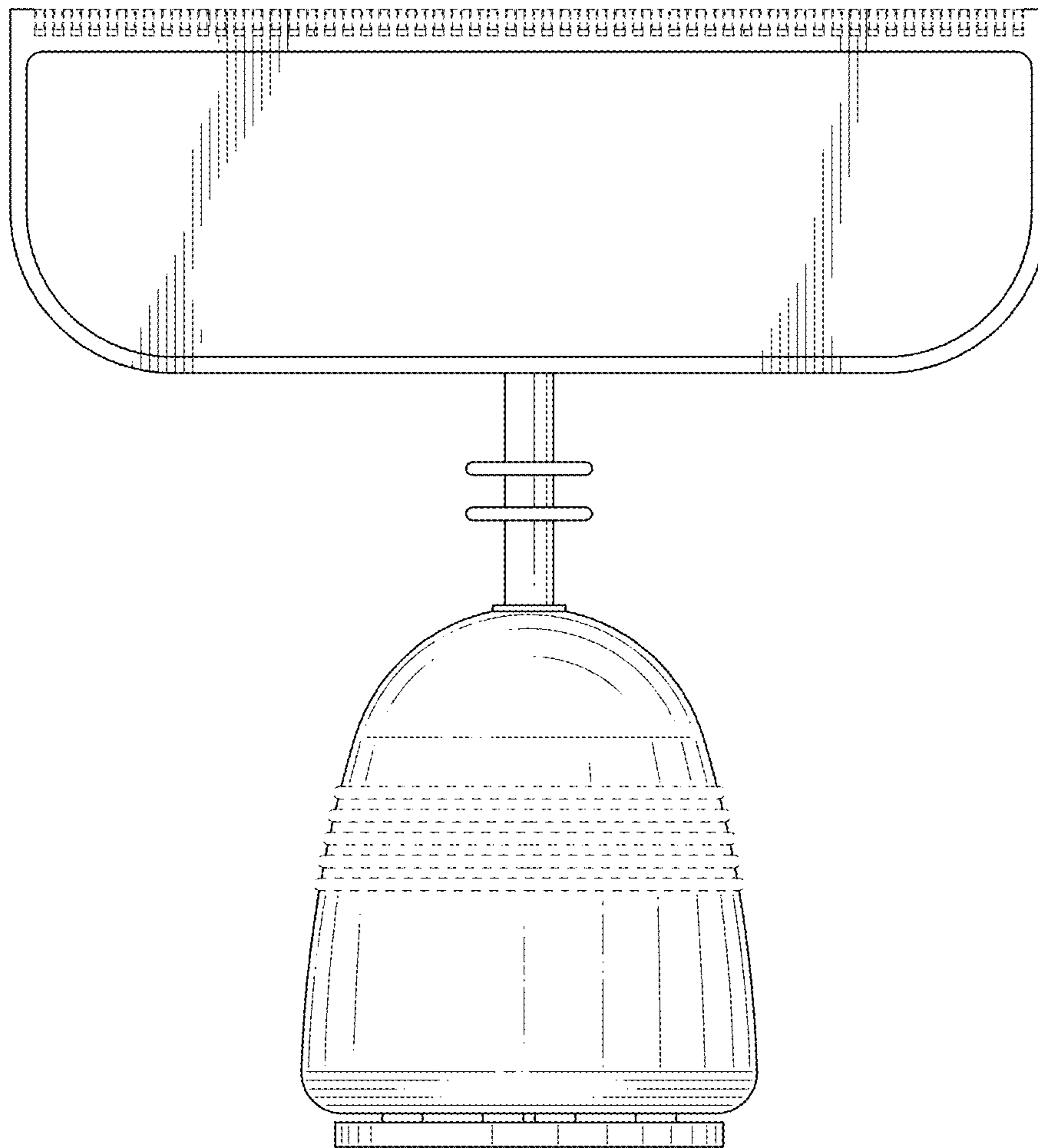


FIG. 6

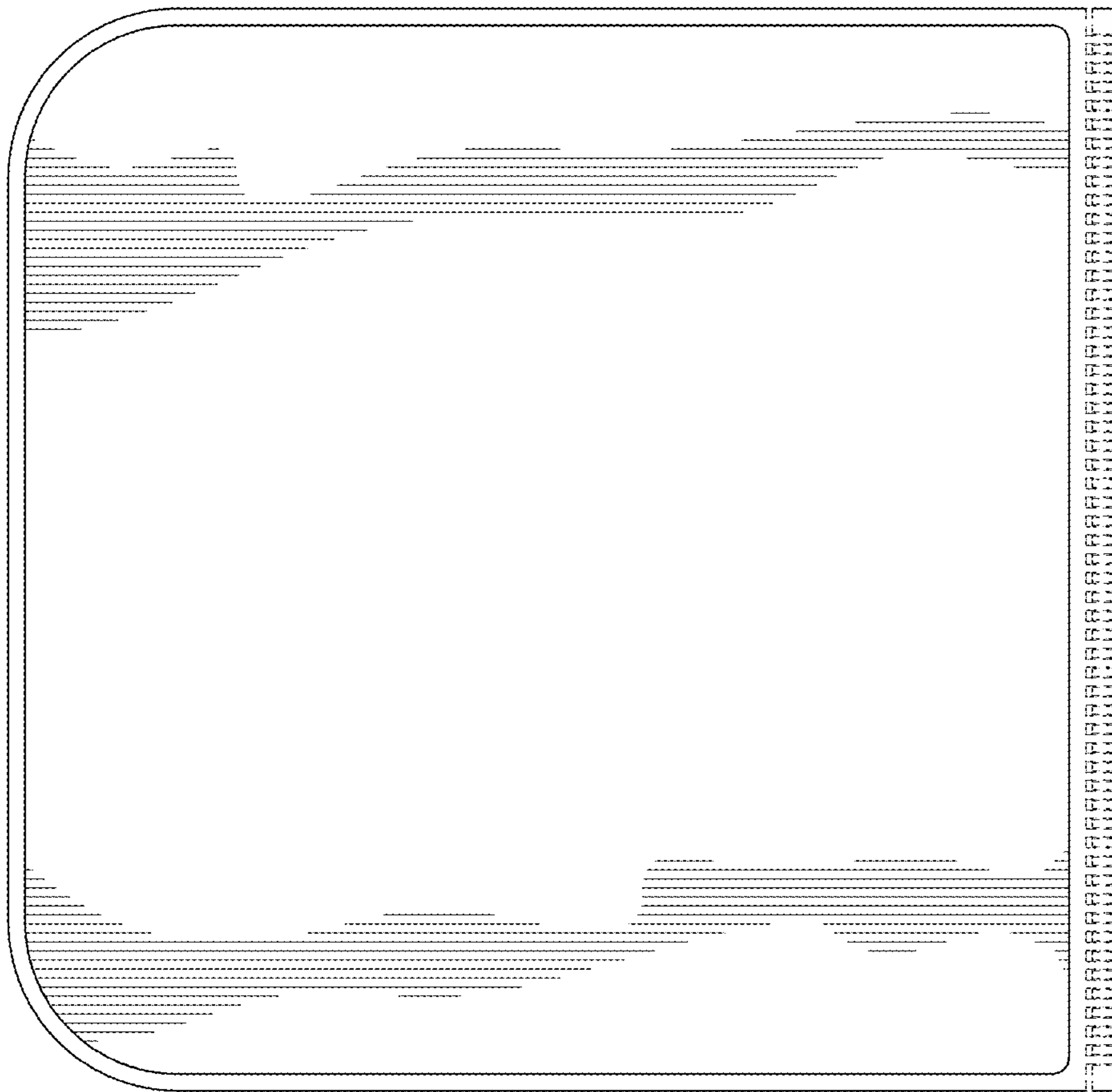


FIG. 7

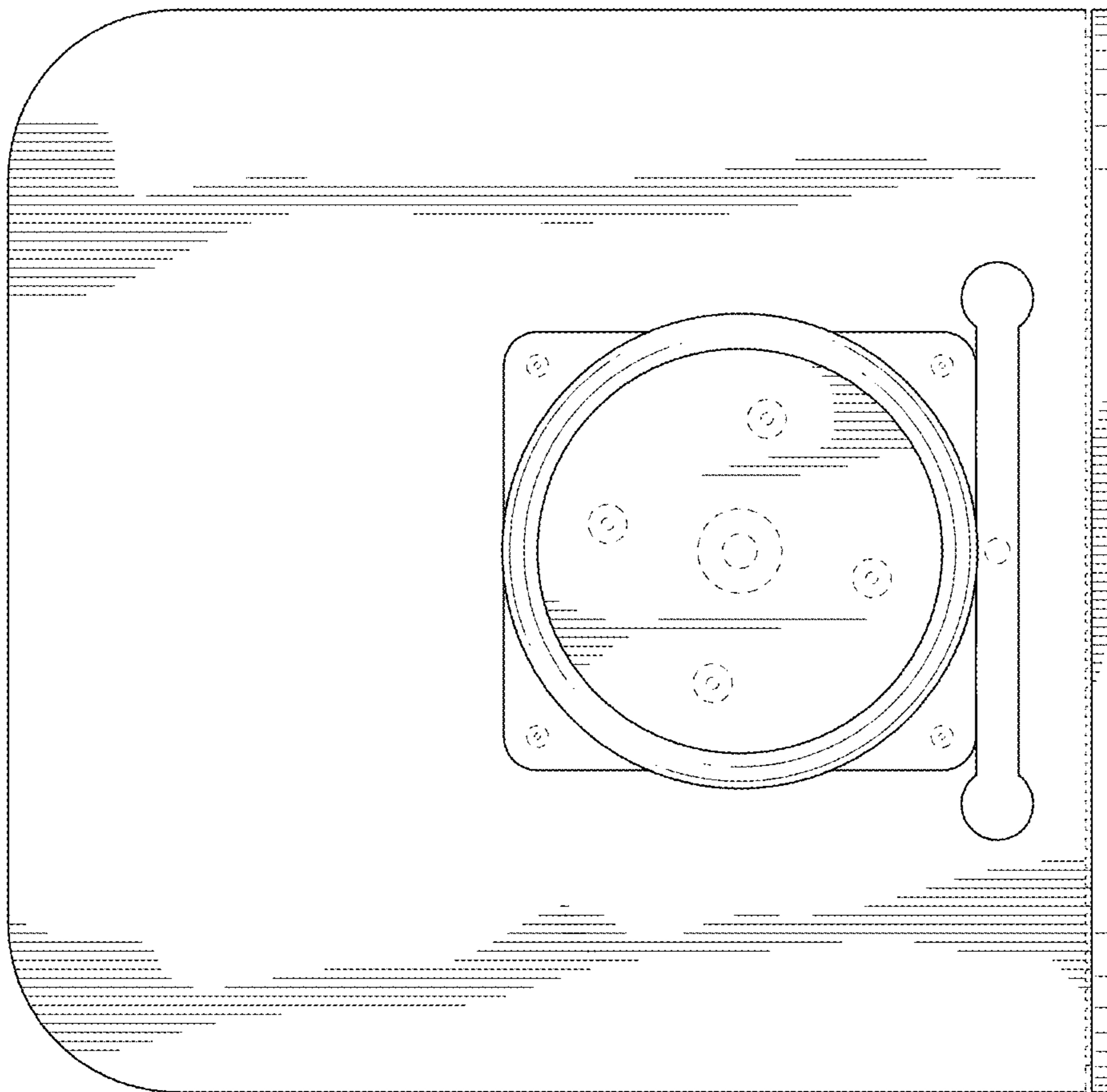


FIG.8

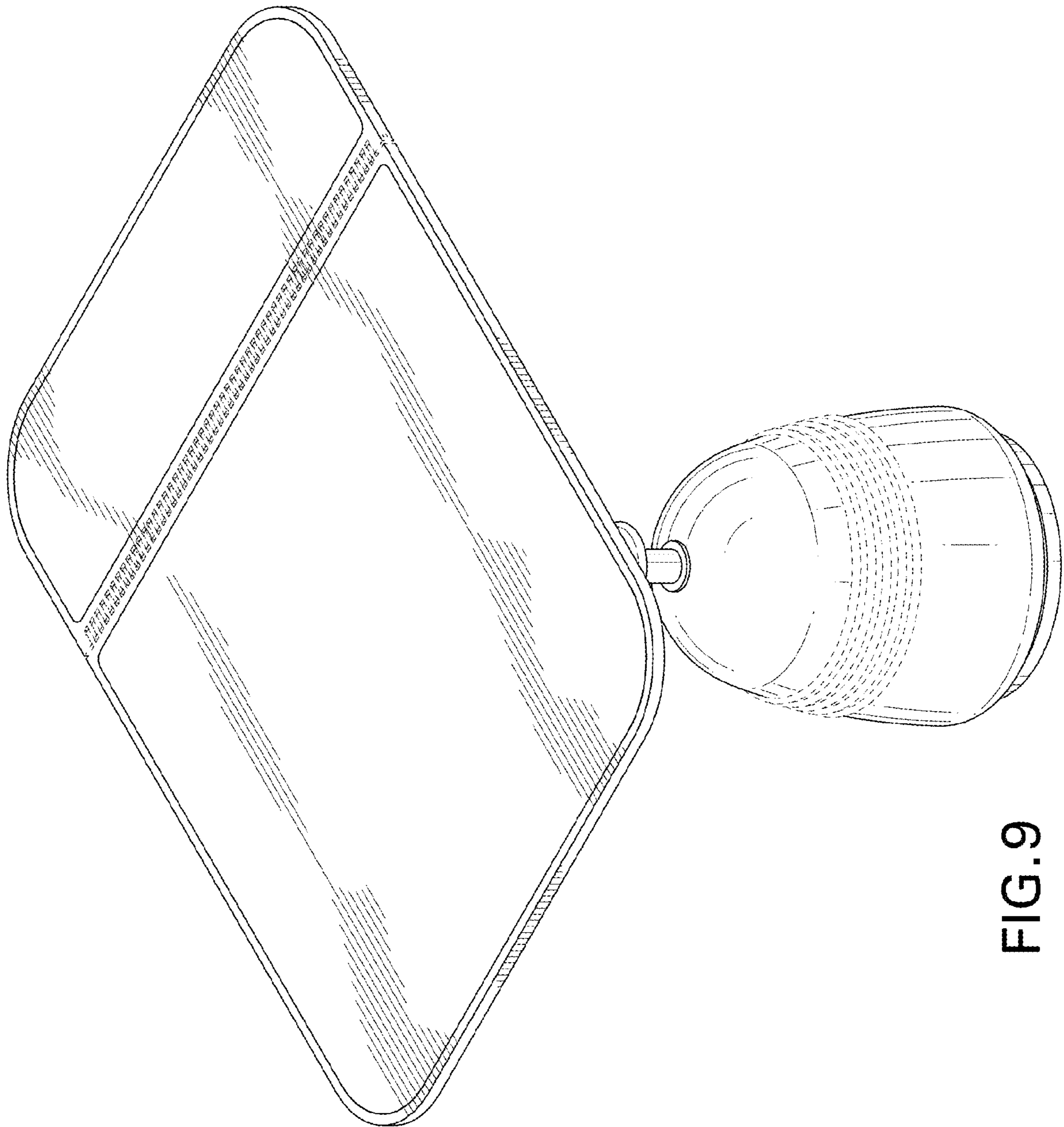


FIG. 9

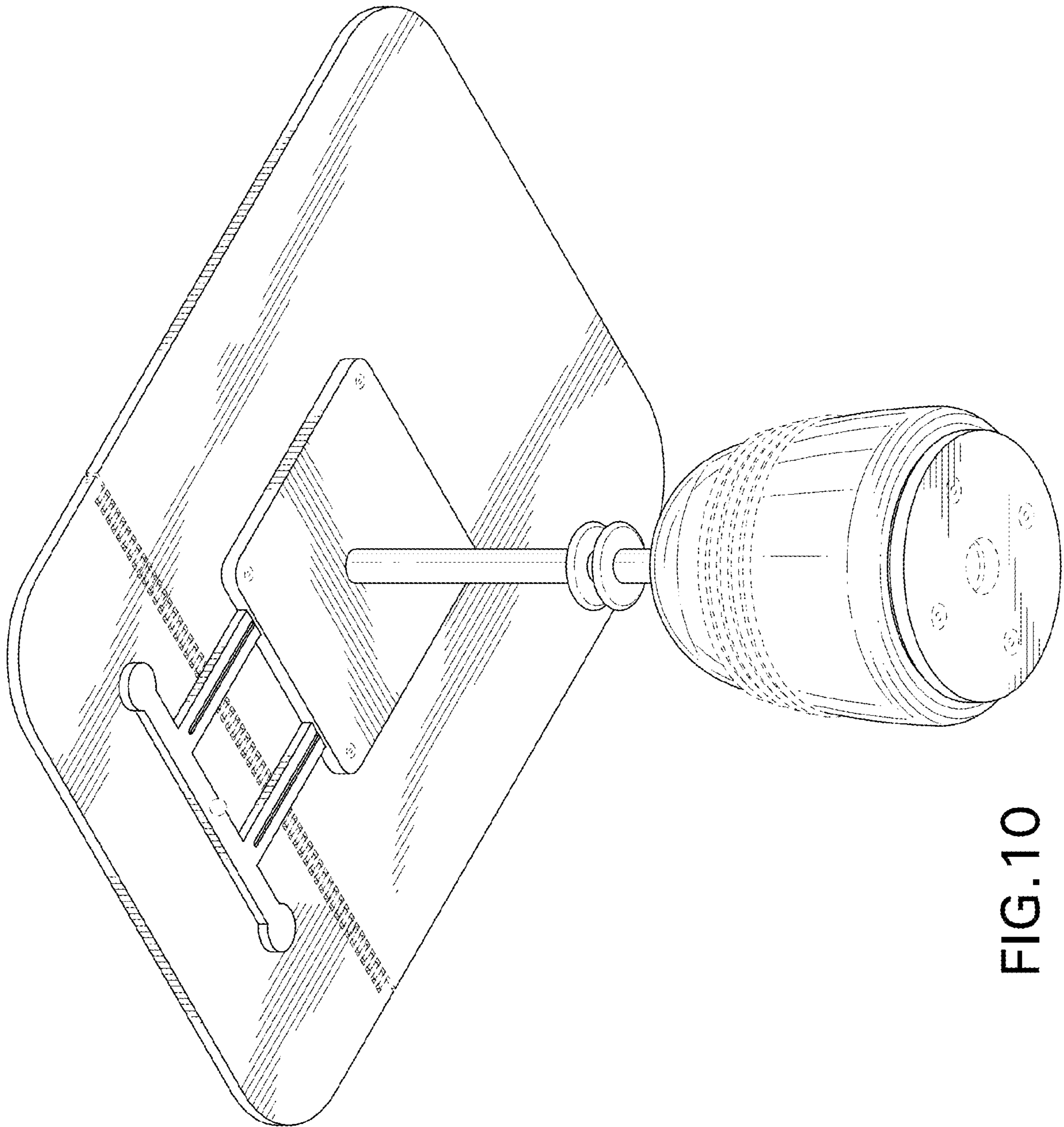


FIG. 10

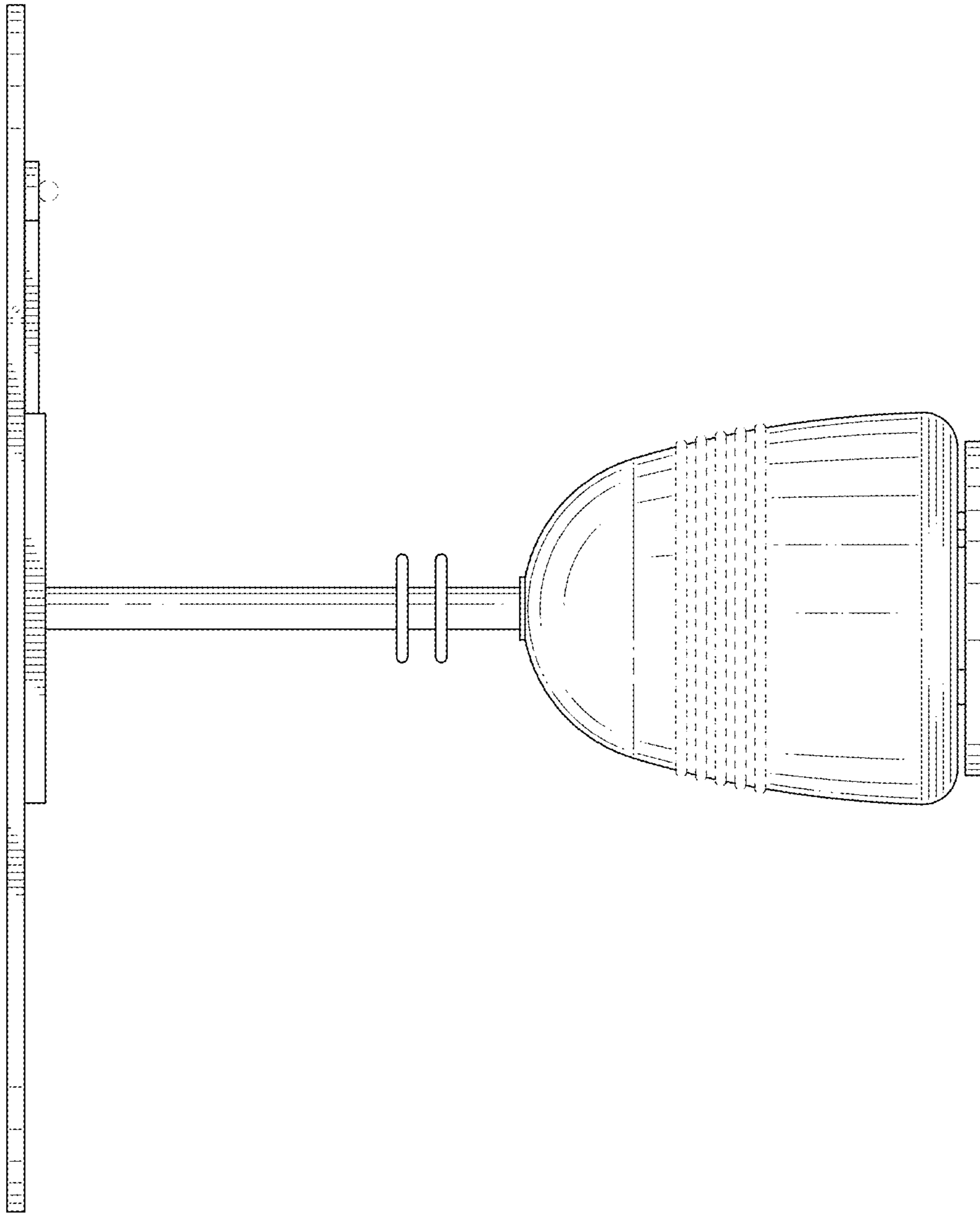


FIG.11

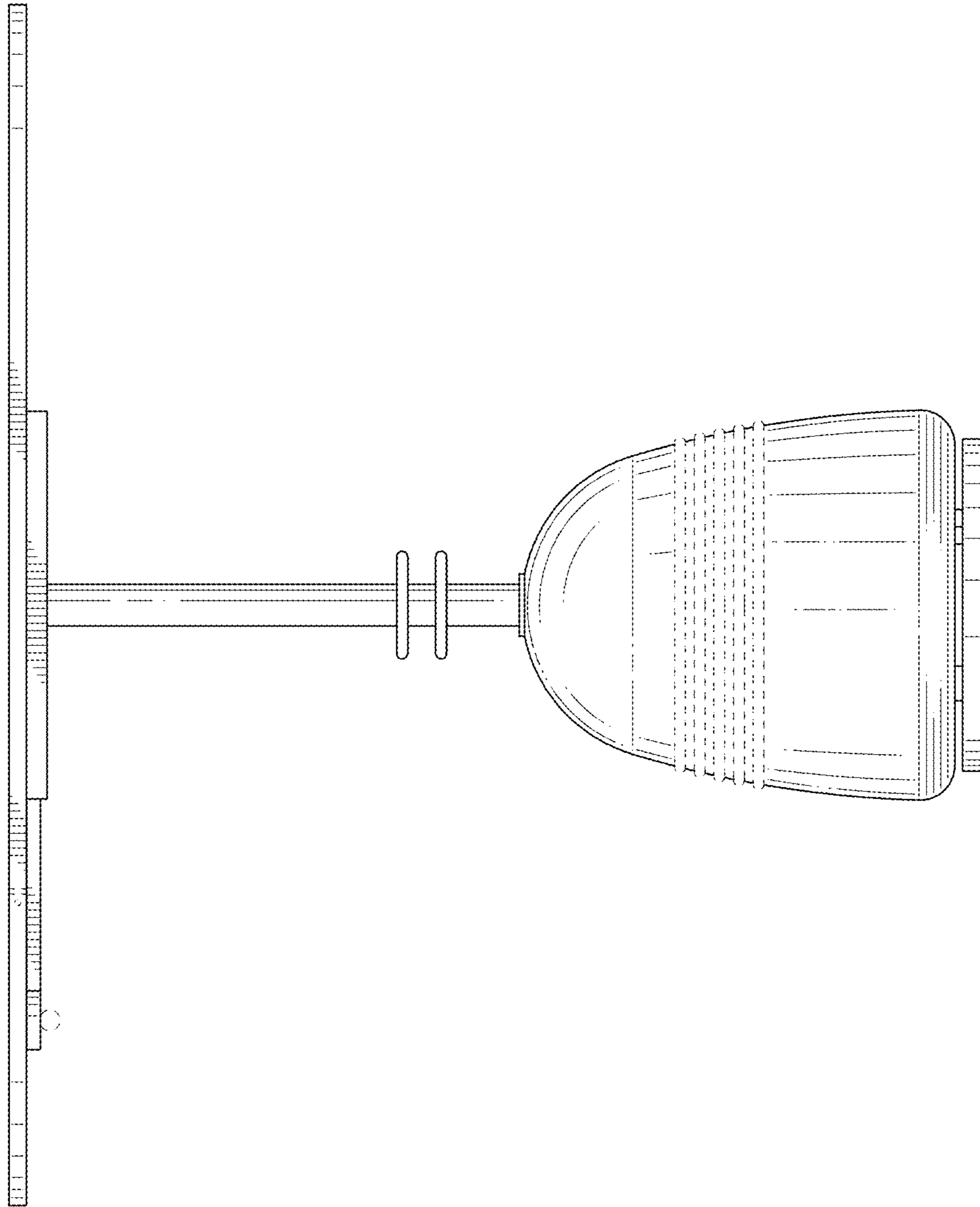


FIG.12

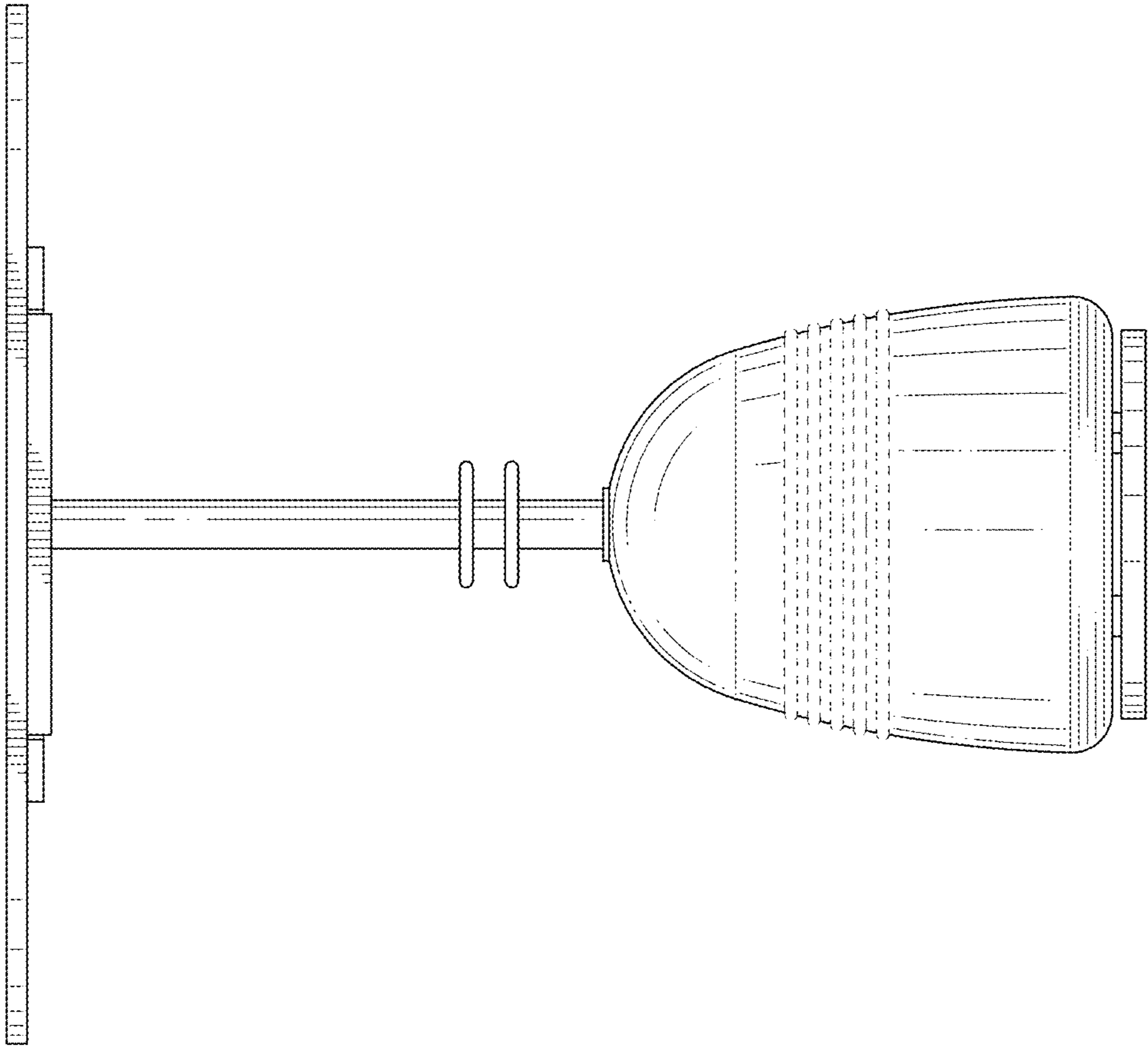


FIG.13

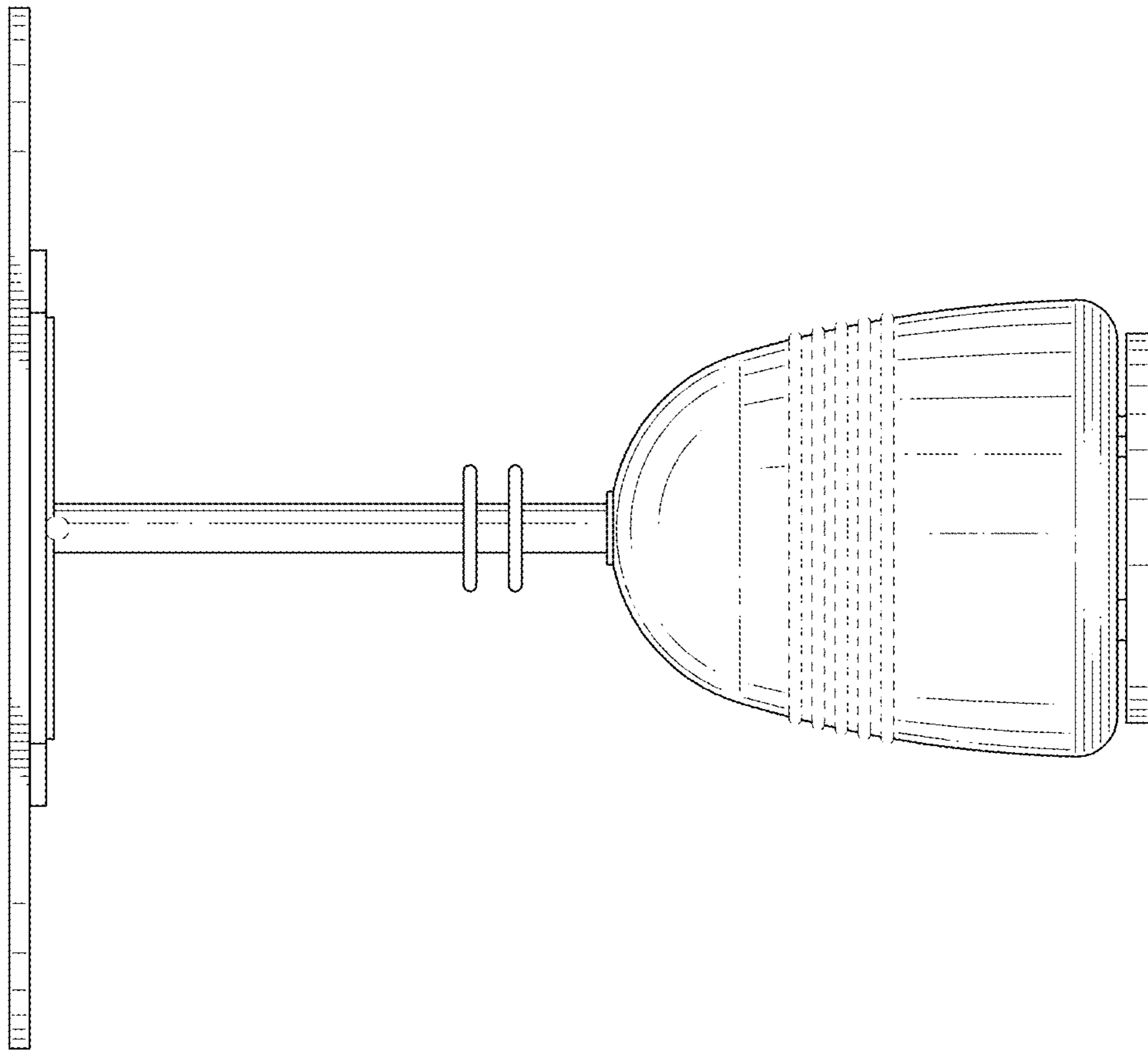


FIG. 14

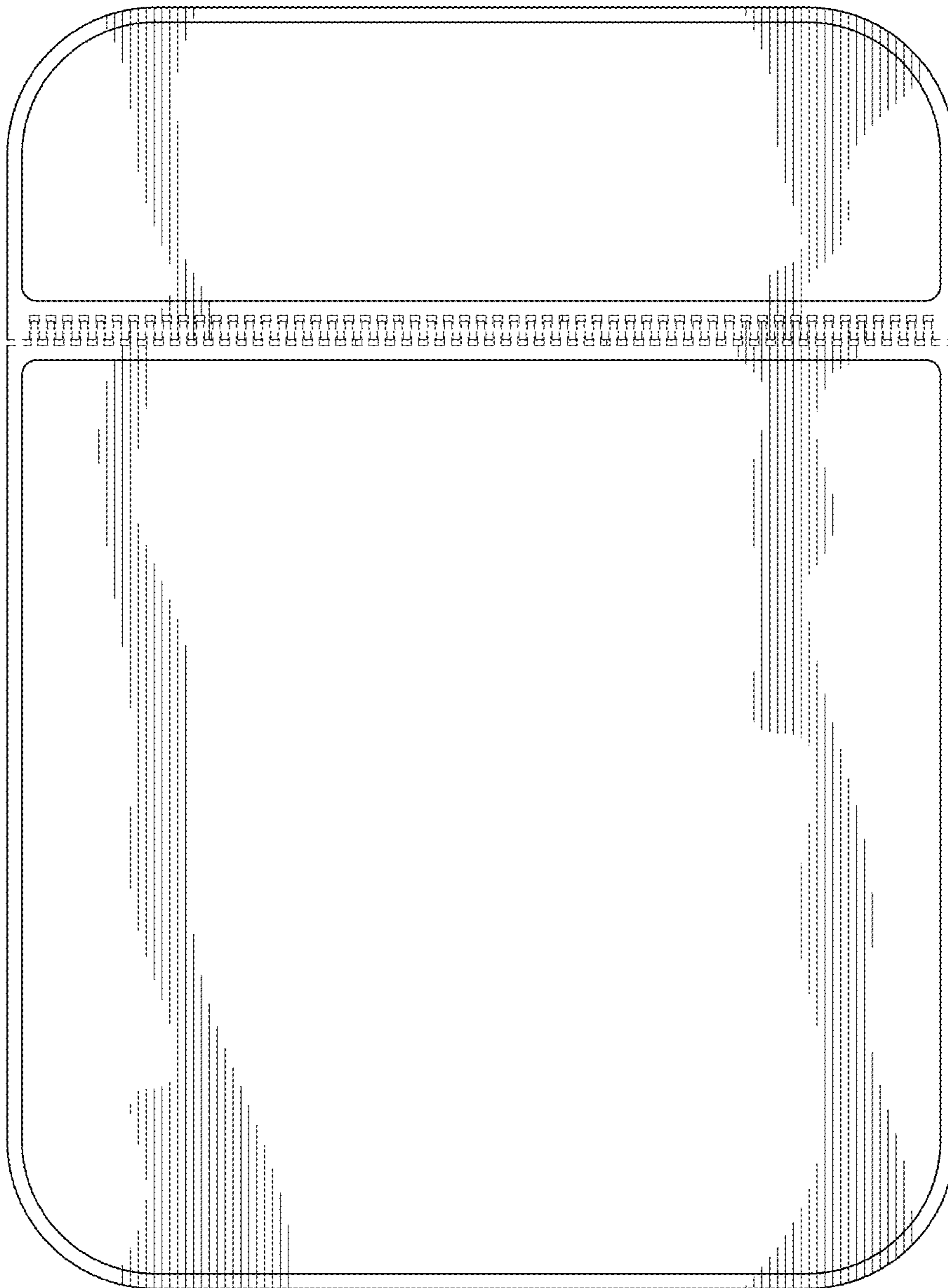


FIG. 15

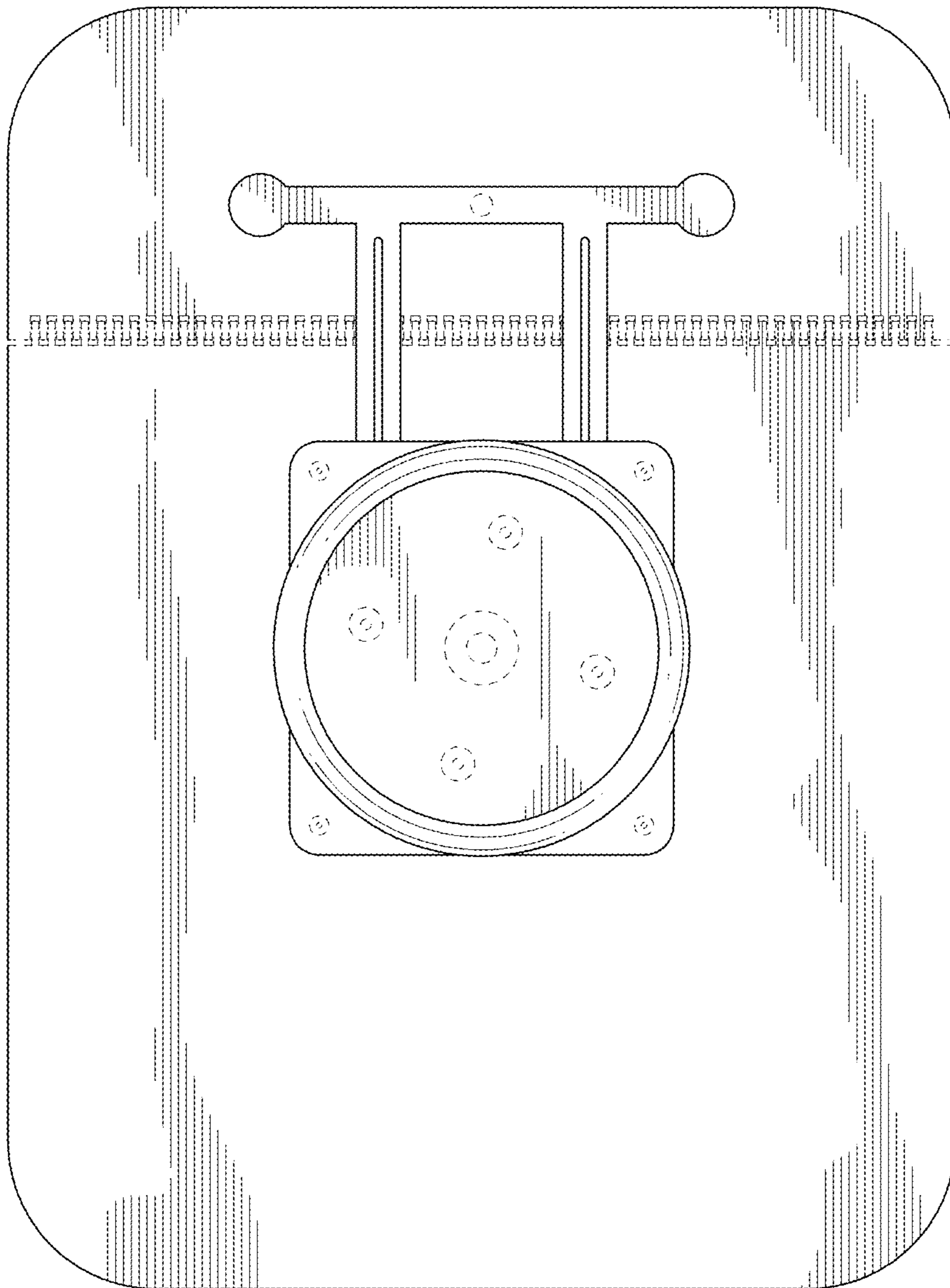


FIG. 16