



US00D950971S

(12) **United States Design Patent**
Cohen

(10) **Patent No.:** **US D950,971 S**

(45) **Date of Patent:** **** May 10, 2022**

(54) **LIFT CHAIR WITH SWIVEL AND SLIDE FEATURE**

(71) Applicant: **Letronics, Inc.**, Dallas, TX (US)

(72) Inventor: **Gregg A. Cohen**, Dallas, TX (US)

(73) Assignee: **Letronics, Inc.**, Mesquite, TX (US)

(**) Term: **15 Years**

(21) Appl. No.: **29/730,707**

(22) Filed: **Apr. 7, 2020**

(51) **LOC (13) Cl.** **06-01**

(52) **U.S. Cl.**

USPC **D6/367**

(58) **Field of Classification Search**

USPC D6/333, 334, 344, 348, 349, 350, 355,
D6/360, 361, 364, 366, 367, 369, 370,
D6/374, 375, 379, 380, 381, 716, 716.4

CPC A47C 1/02; A47C 1/022; A47C 1/024;
A47C 1/032; A47C 1/03255; A47C 1/11;
A47C 1/143; A47C 3/18; A47C 3/02;
A47C 3/025; A47C 3/026; A47C 7/002;
A47C 7/004; A47C 7/18; A47C 7/185;
A47C 7/36; A47C 7/46; A47C 9/007;
A47C 11/00; A47C 11/005

See application file for complete search history.

(56) **References Cited**

U.S. PATENT DOCUMENTS

D173,625	S	*	12/1954	Maurer	297/83
4,544,202	A		10/1985	Keaton		
5,007,679	A		4/1991	Mizelle		
5,890,765	A		4/1999	LaPointe et al.		
5,931,535	A		8/1999	Sweet		
5,992,935	A		11/1999	Duijnste		
D447,350	S	*	9/2001	Carlson	D6/335
D447,639	S	*	9/2001	Carlson	D6/335
D464,816	S	*	10/2002	Leib	D6/335
D489,908	S	*	5/2004	Ricci	D6/334

D546,571	S	*	7/2007	Ricci	D6/334
7,475,944	B2		1/2009	Griepentrog et al.		
7,543,885	B2		6/2009	Pollard et al.		
D600,032	S	*	9/2009	Natuzzi	D6/365

(Continued)

Primary Examiner — R. Johnson

(74) *Attorney, Agent, or Firm* — Steven H. Washam;
Washam PLLC

(57) **CLAIM**

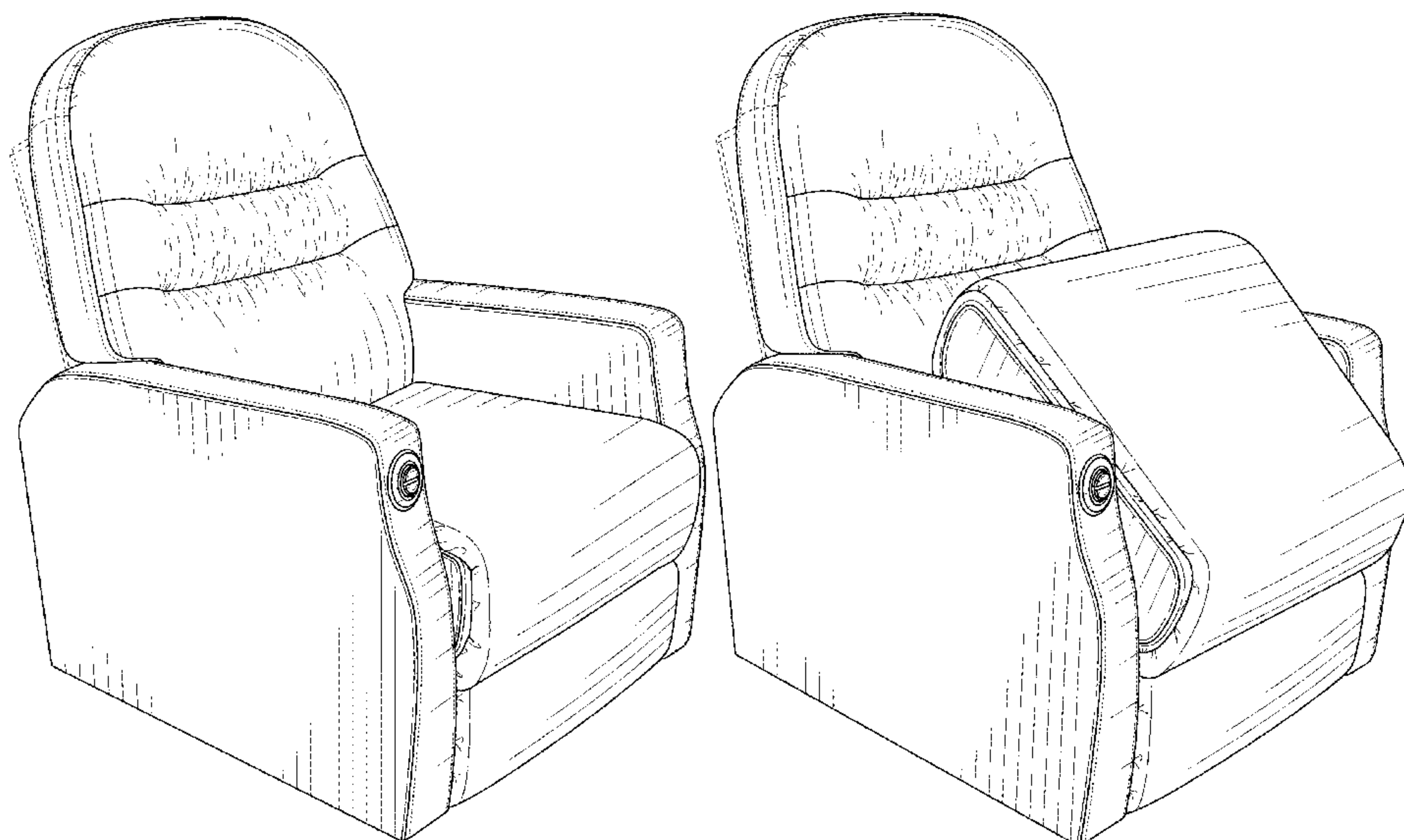
I claim the ornamental design for a lift chair with swivel and slide feature, as shown and described.

DESCRIPTION

FIG. 1 is a perspective view of a lift chair with swivel and slide feature showing my new design;
 FIG. 2 is a front elevational view thereof;
 FIG. 3 is a rear elevational view thereof;
 FIG. 4 is a left-side elevational view thereof;
 FIG. 5 is a right-side elevational view thereof;
 FIG. 6 is a top plan view thereof;
 FIG. 7 is a bottom plan view thereof;
 FIG. 8 is a bottom plan view thereof, showing the base mechanism in a rotated position;
 FIG. 9 is a bottom plan view thereof, showing the base mechanism in a rotated and slid position;
 FIG. 10 is a bottom plan view thereof, showing the base mechanism in a slid position;
 FIG. 11 is an additional perspective view thereof, showing the seat cushion in a lifted position;
 FIG. 12 is a perspective view of an additional embodiment thereof; and,
 FIG. 13 is a perspective view of an additional embodiment thereof, showing the seat cushion of this embodiment in a lifted position.

The broken lines in the drawings are for illustrating environmental structure only and form no part of the claimed design.

1 Claim, 11 Drawing Sheets



(56)

References Cited

U.S. PATENT DOCUMENTS

7,766,421	B2	8/2010	Lawson	
D716,564	S *	11/2014	Dix	D6/334
9,016,788	B1	4/2015	Pollard et al.	
9,155,398	B2	10/2015	Arens et al.	
D793,100	S *	8/2017	Dix	D6/334
D803,588	S *	11/2017	Dix	D6/334
D821,108	S *	6/2018	Dix	D6/334
2002/0075161	A1	6/2002	Raffel et al.	
2006/0186718	A1	8/2006	Griepentrog et al.	
2008/0150329	A1	6/2008	Lawson	
2010/0127538	A1 *	5/2010	Hoffman	A47C 3/18 297/68
2015/0374566	A1	12/2015	Robertson	
2022/0015970	A1 *	1/2022	Cohen	A47C 3/36

* cited by examiner

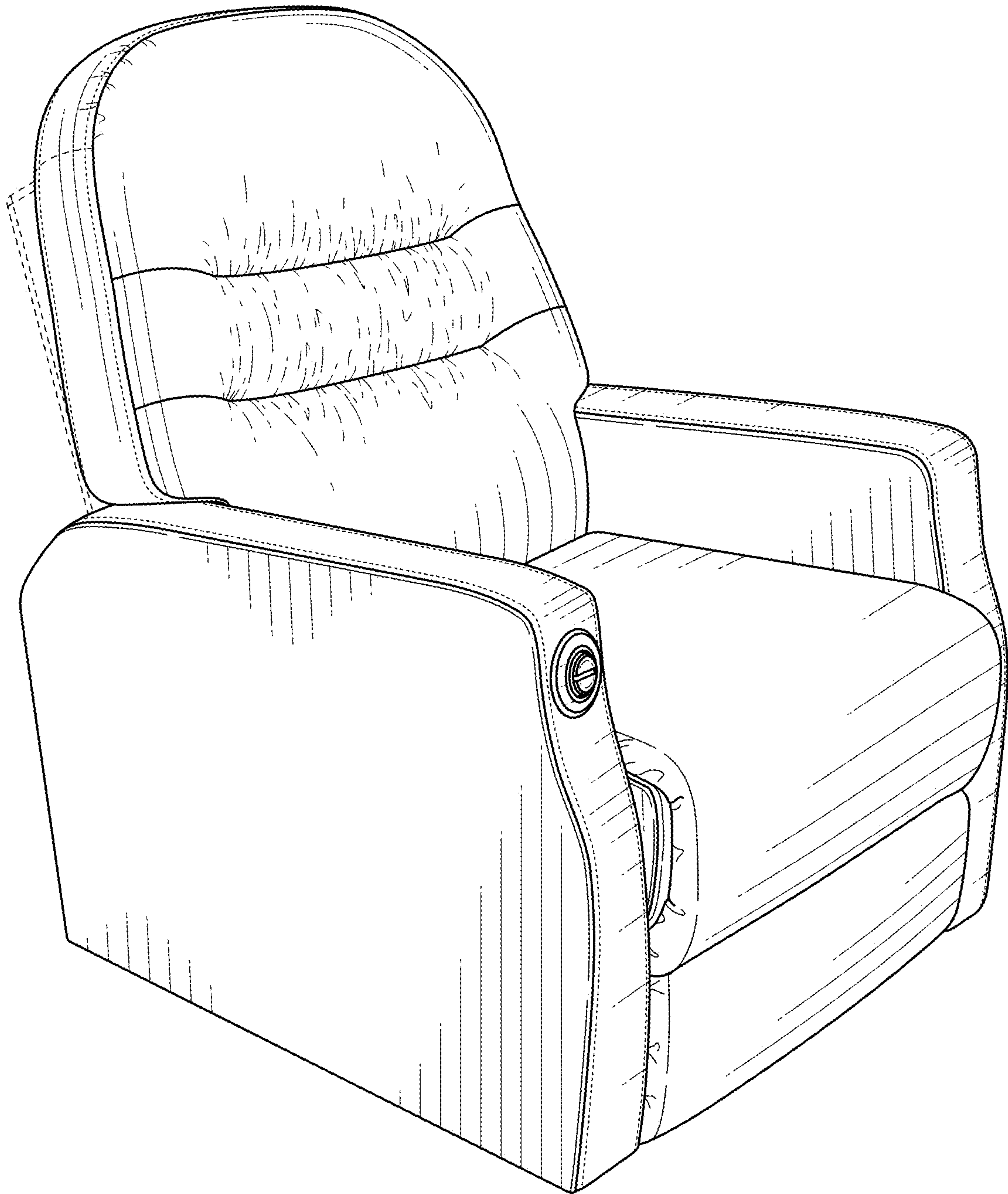


FIG. 1

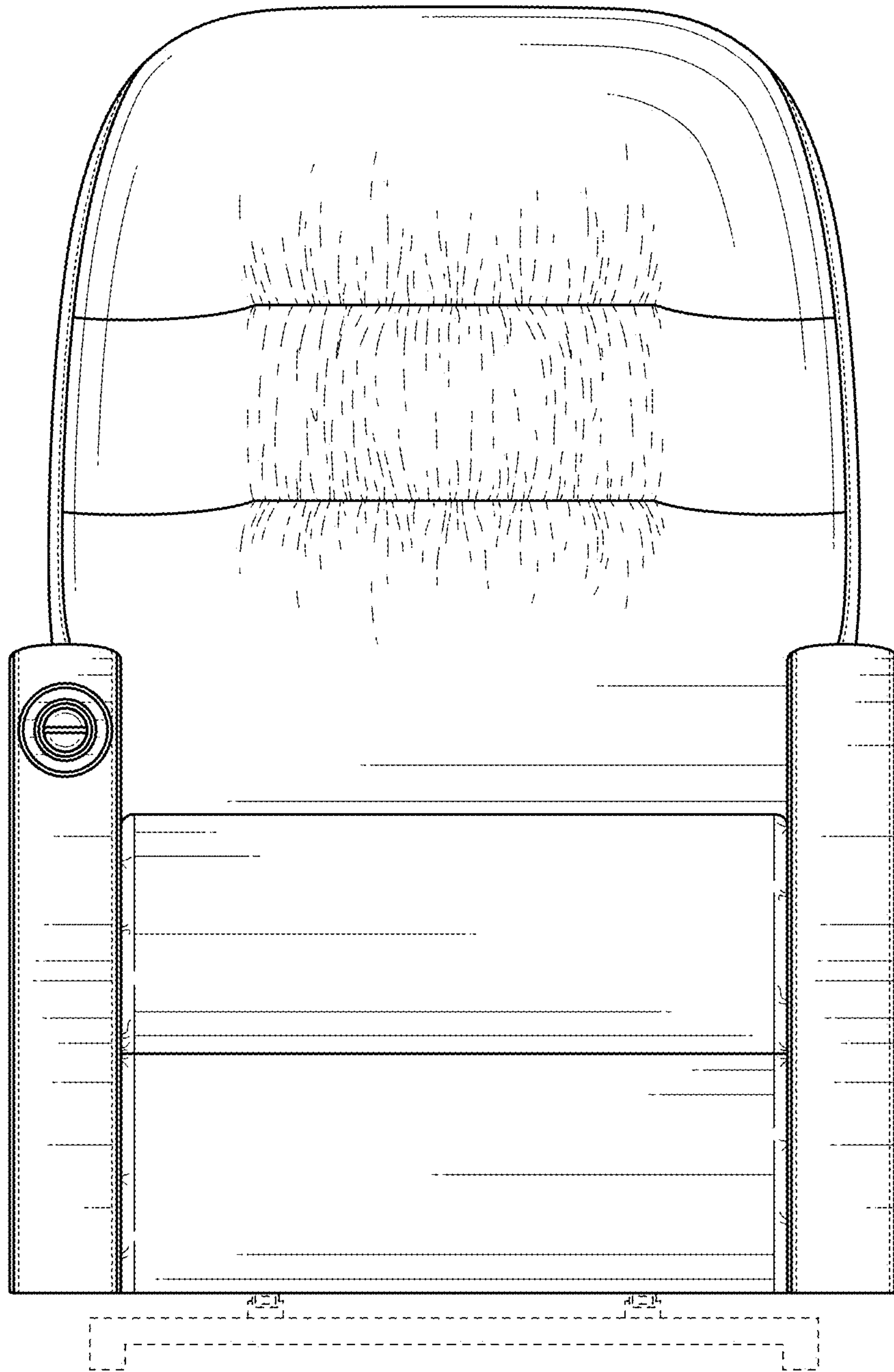


FIG. 2

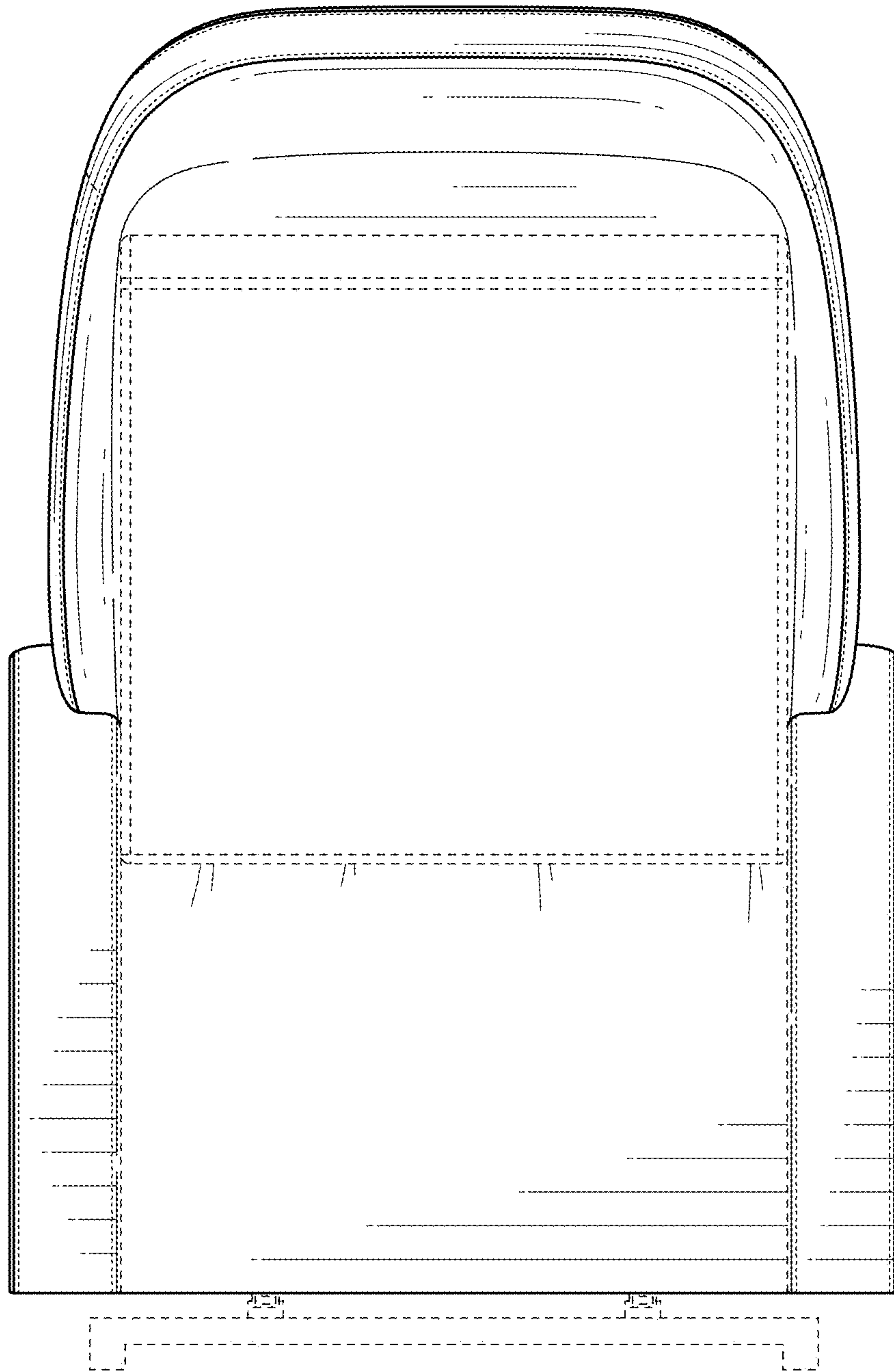


FIG. 3

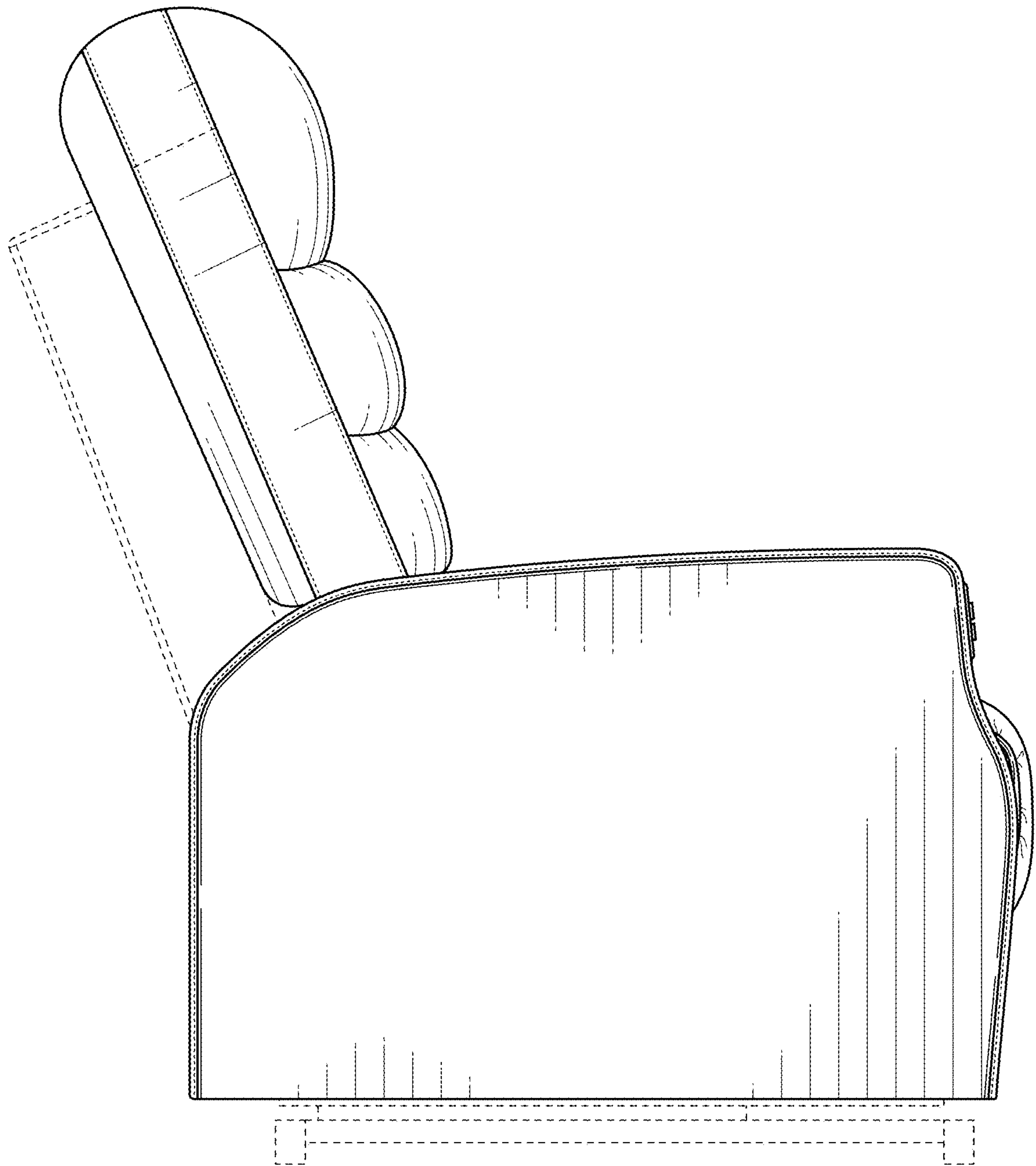


FIG. 4

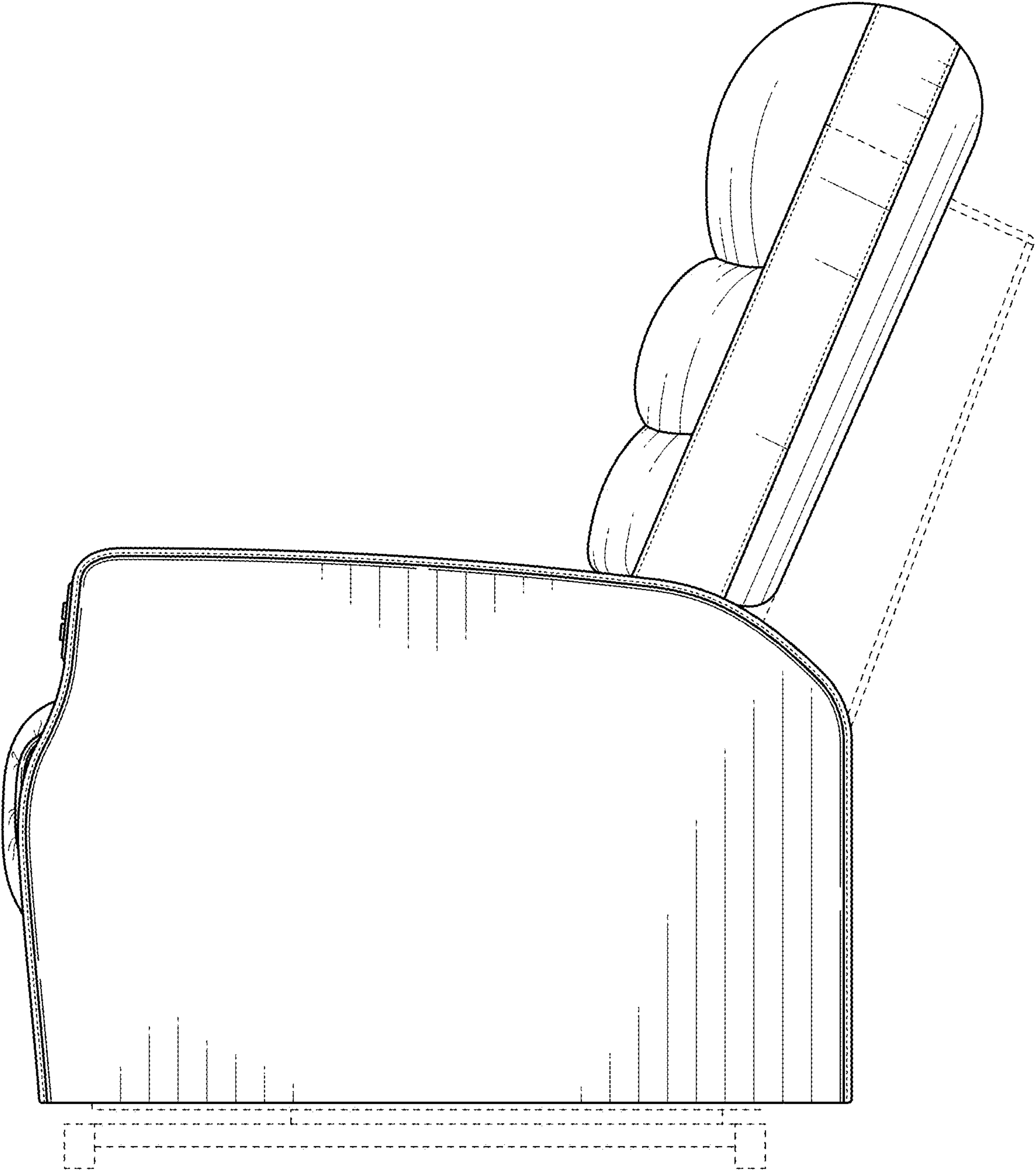


FIG. 5

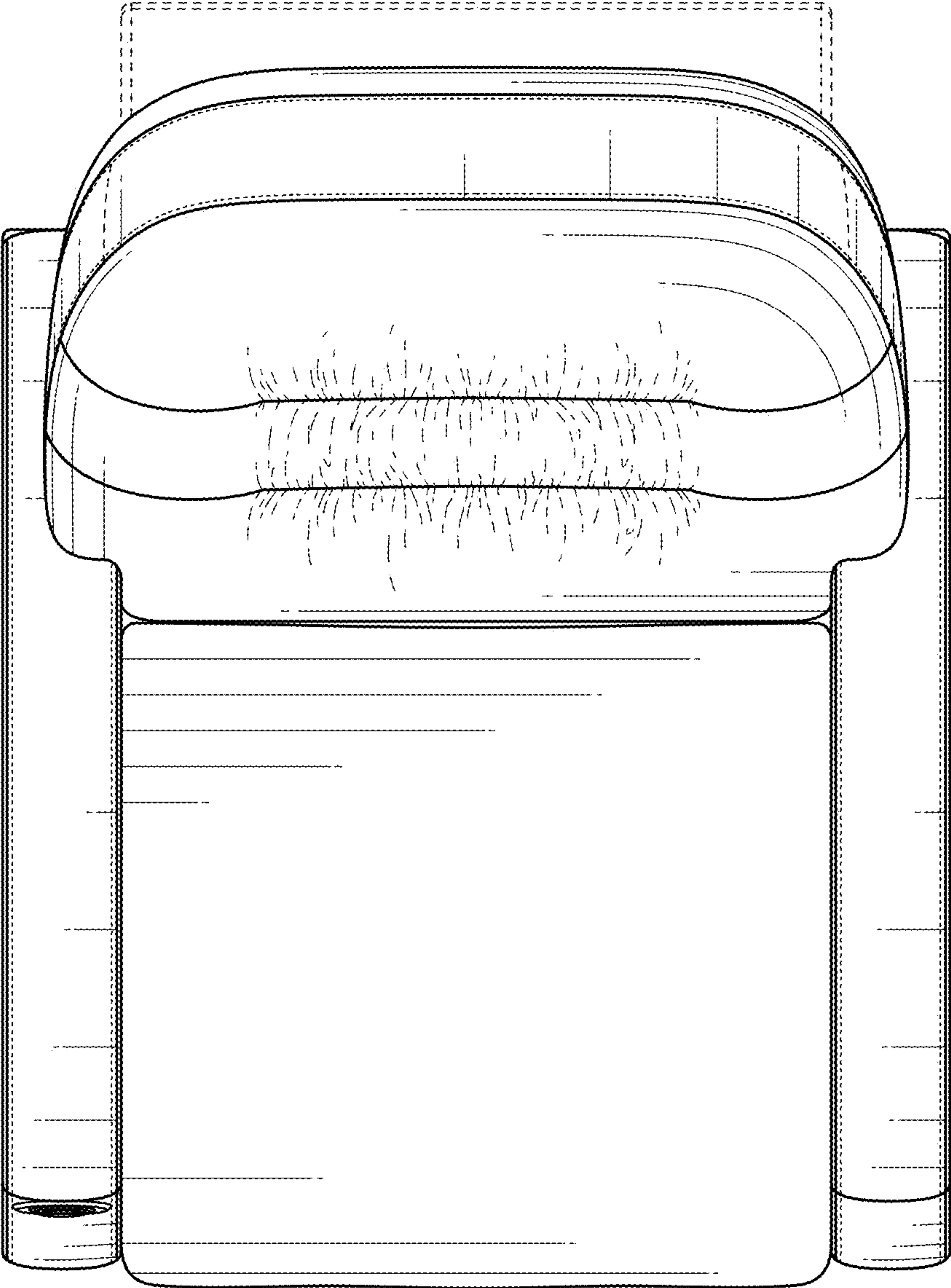


FIG. 6

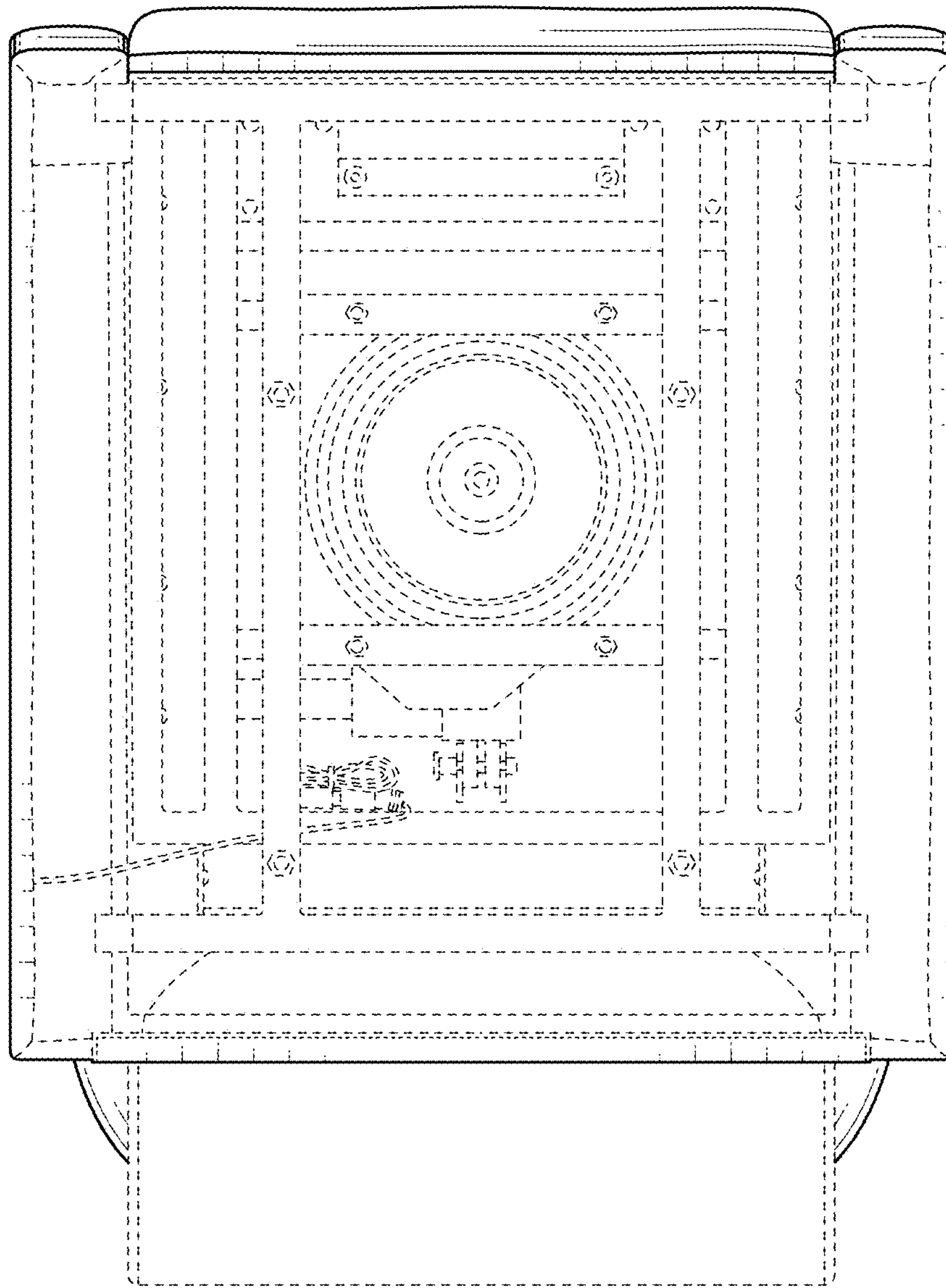


FIG. 7

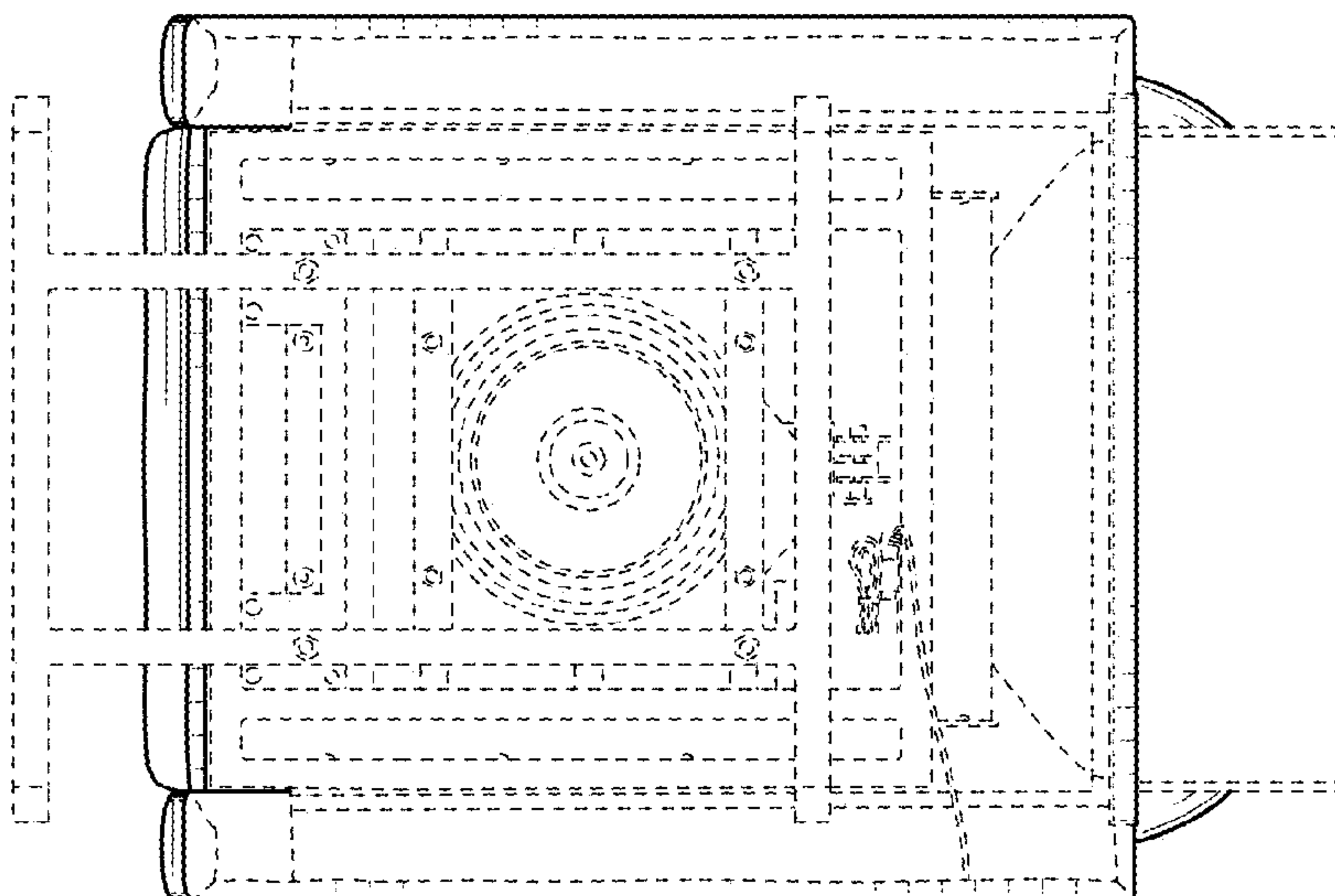


FIG. 8

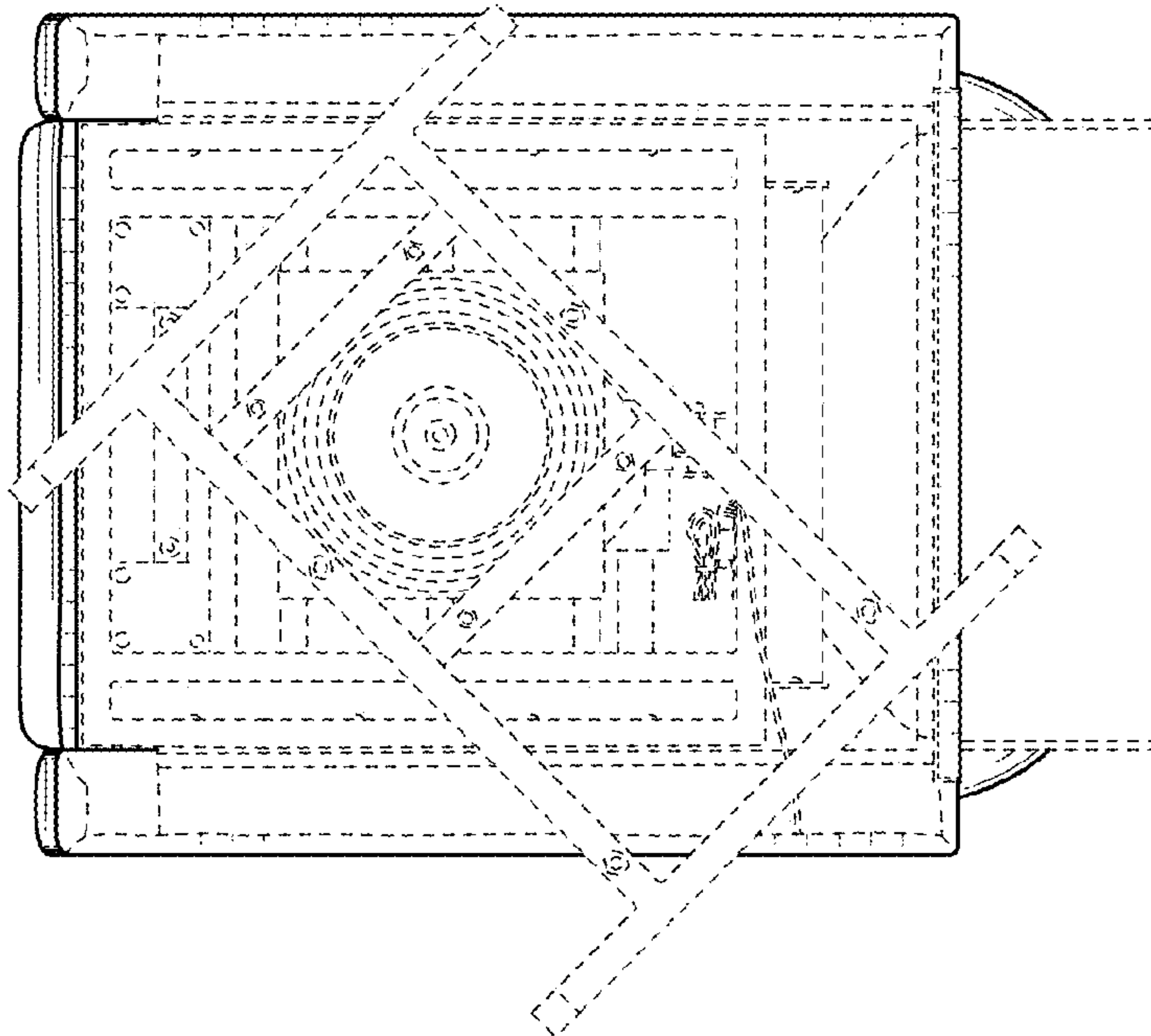


FIG. 9

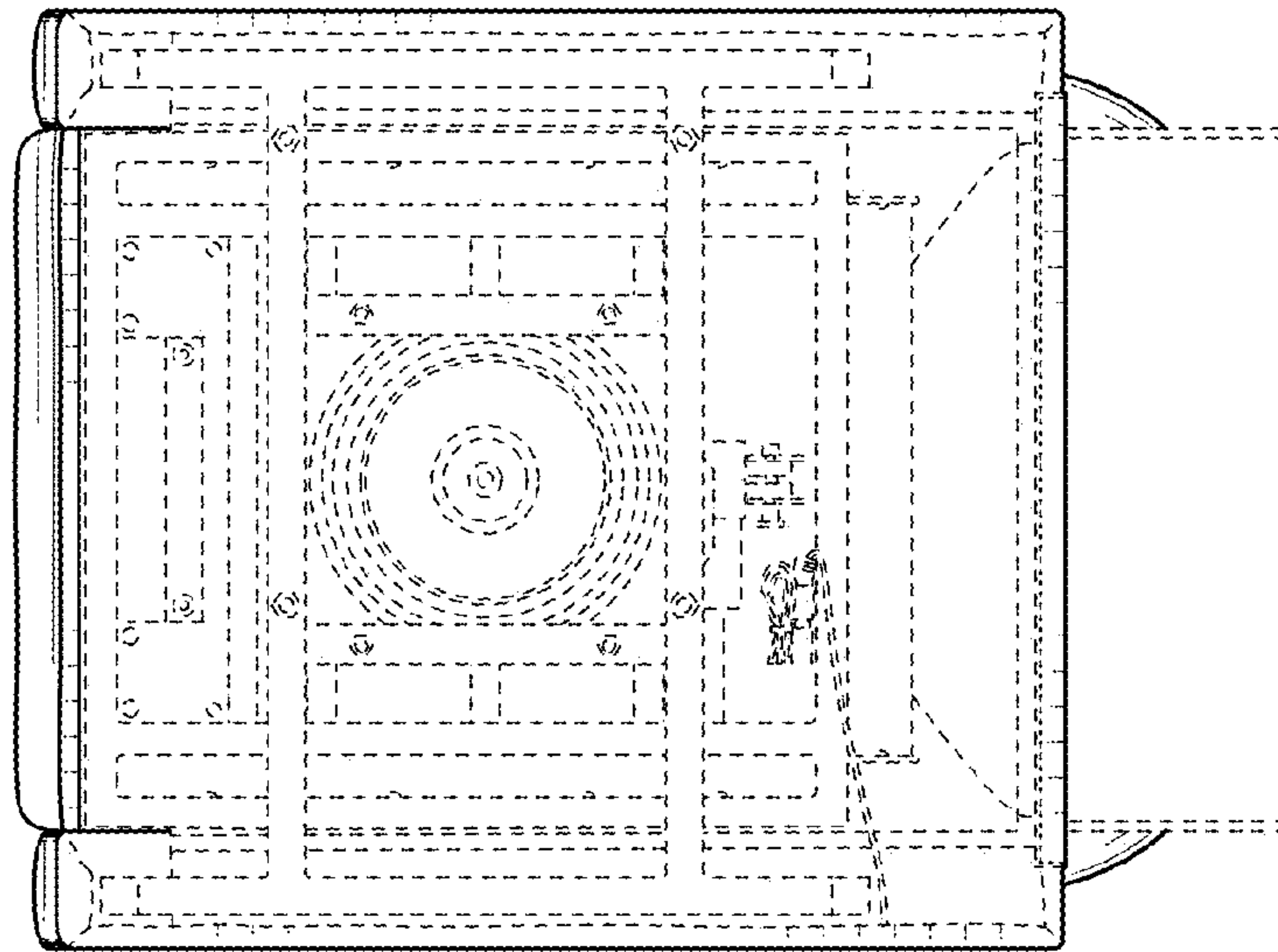


FIG. 10

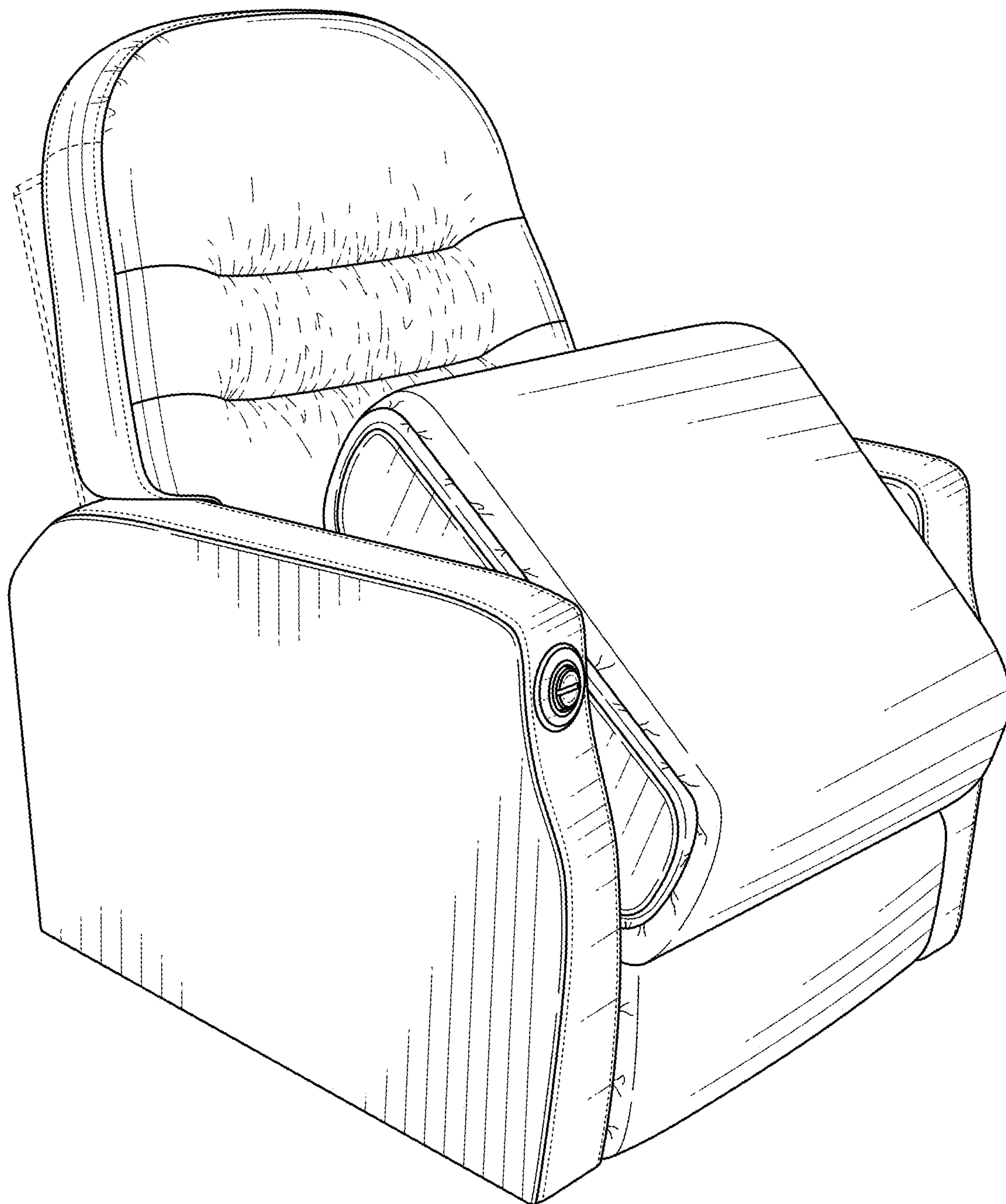


FIG. 11

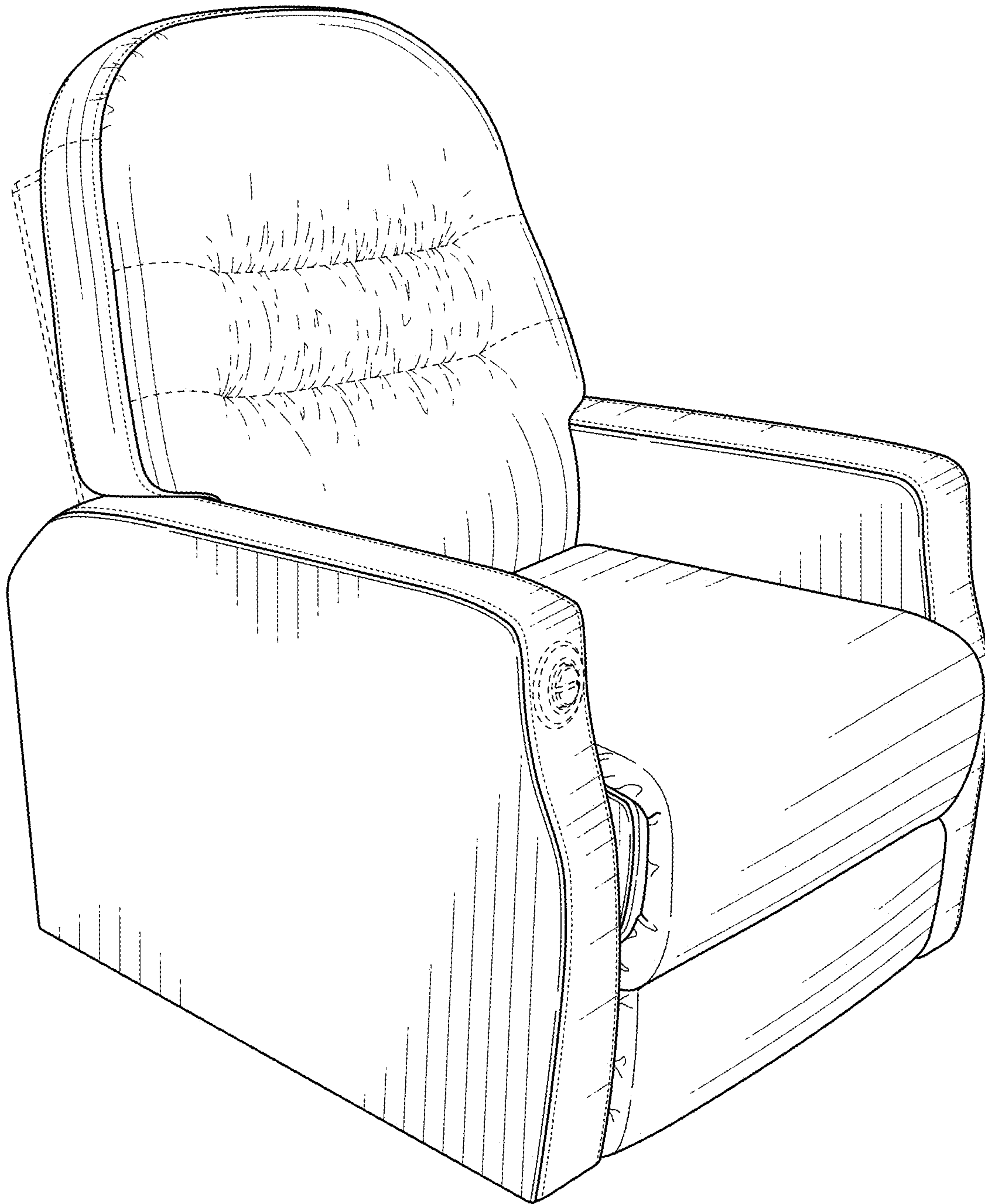


FIG. 12

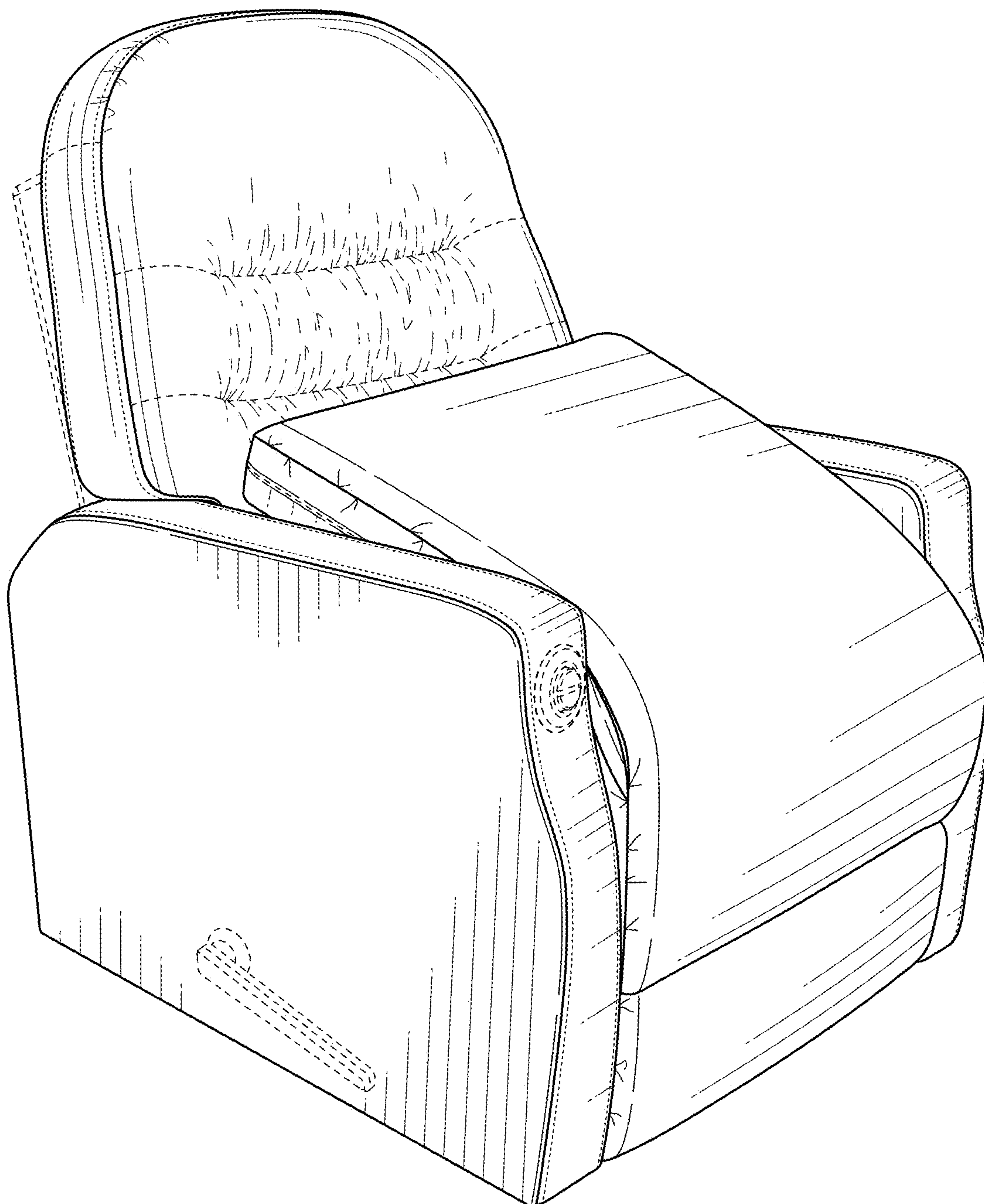


FIG. 13