



US00D950969S

(12) **United States Design Patent** (10) **Patent No.:** **US D950,969 S**
Lin (45) **Date of Patent:** **** *May 10, 2022**

(54) **FOOT REST**

(71) Applicant: **Wei Lin**, Lake Zurich, IL (US)

(72) Inventor: **Wei Lin**, Lake Zurich, IL (US)

(*) Notice: This patent is subject to a terminal disclaimer.

(**) Term: **15 Years**

(21) Appl. No.: **29/717,490**

(22) Filed: **Dec. 17, 2019**

(51) **LOC (13) Cl.** **06-01**

(52) **U.S. Cl.**
USPC **D6/349**; D6/348

(58) **Field of Classification Search**
USPC D6/349, 350, 352, 353, 364, 332, 335,
D6/336, 362, 716-716.6, 344, 601-604;
D21/698

CPC A61G 5/12; A47C 7/5066; B60N 3/063;
B60N 3/06; B62J 25/00; B62J 25/06;
B63H 16/02

See application file for complete search history.

(56) **References Cited**

U.S. PATENT DOCUMENTS

3,361,427	A *	1/1968	Paves	A63B 22/16 482/146
D227,584	S *	7/1973	Perez	D21/688
D229,800	S *	1/1974	Jones	D6/348
D242,683	S *	12/1976	Osborne	D6/348
4,206,558	A *	6/1980	Bivona	A43B 3/128 273/111
D259,156	S *	5/1981	Massow	D6/348
D313,521	S *	1/1991	Hassel	D6/349
D319,084	S *	8/1991	Bush	D21/688
5,048,823	A *	9/1991	Bean	A63B 22/18 482/146
D320,703	S *	10/1991	Burkhart	D6/349
D341,031	S *	11/1993	Burkhart	D6/348
5,643,164	A *	7/1997	Teff	A63B 22/16 482/146

(Continued)

OTHER PUBLICATIONS

StrongTek Under Desk Foot Rest Rocker, available in Amazon.co.uk, date first available Jan. 23, 2019 [online], Retrieved on Nov. 16, 2021 from URL: <https://www.amazon.co.uk/StrongTek-Non-Slip-Ergonomic-Pressure-Capacity/dp/B07N1QCJGZ/> (Year: 2019).*

(Continued)

Primary Examiner — Vy N Koenig

Assistant Examiner — Michelle M Reeves

(57) **CLAIM**

The ornamental design for a foot rest, as shown and described.

DESCRIPTION

FIG. 1 is a top front right perspective view of a foot rest in accordance with the new design.

FIG. 2 is a top plan view thereof.

FIG. 3 is a bottom plan view thereof.

FIG. 4 is a front elevation view thereof.

FIG. 5 is a rear elevation view thereof.

FIG. 6 is a left elevation view thereof.

FIG. 7 is a right elevation view thereof.

FIG. 8 is a front perspective view thereof.

FIG. 9 is a rear perspective view thereof.

FIG. 10 is a top front right perspective view of a foot rest in accordance with another embodiment of the new design.

FIG. 11 is a top plan view thereof.

FIG. 12 is a bottom plan view thereof.

FIG. 13 is a front elevation view thereof.

FIG. 14 is a rear elevation view thereof.

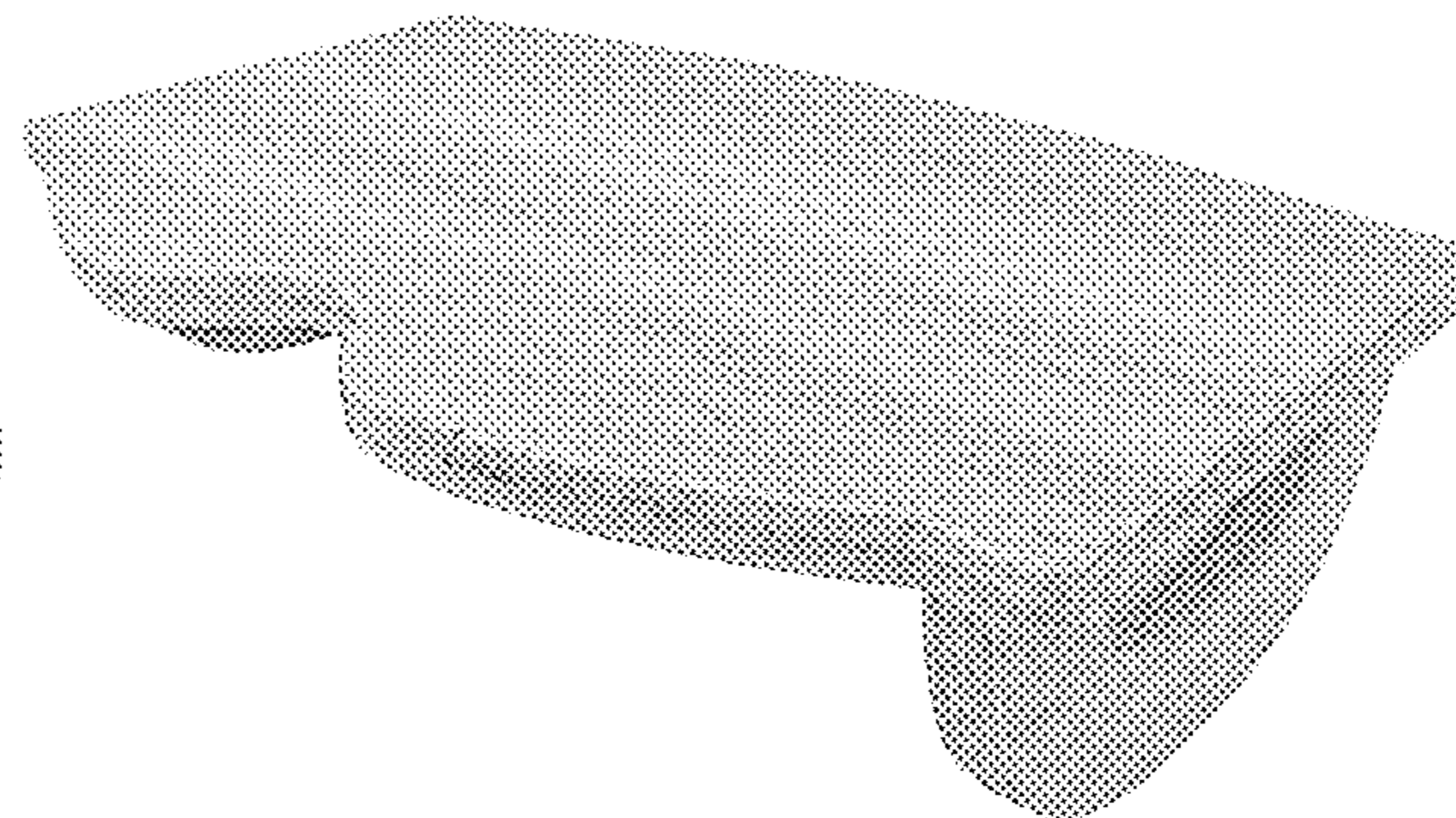
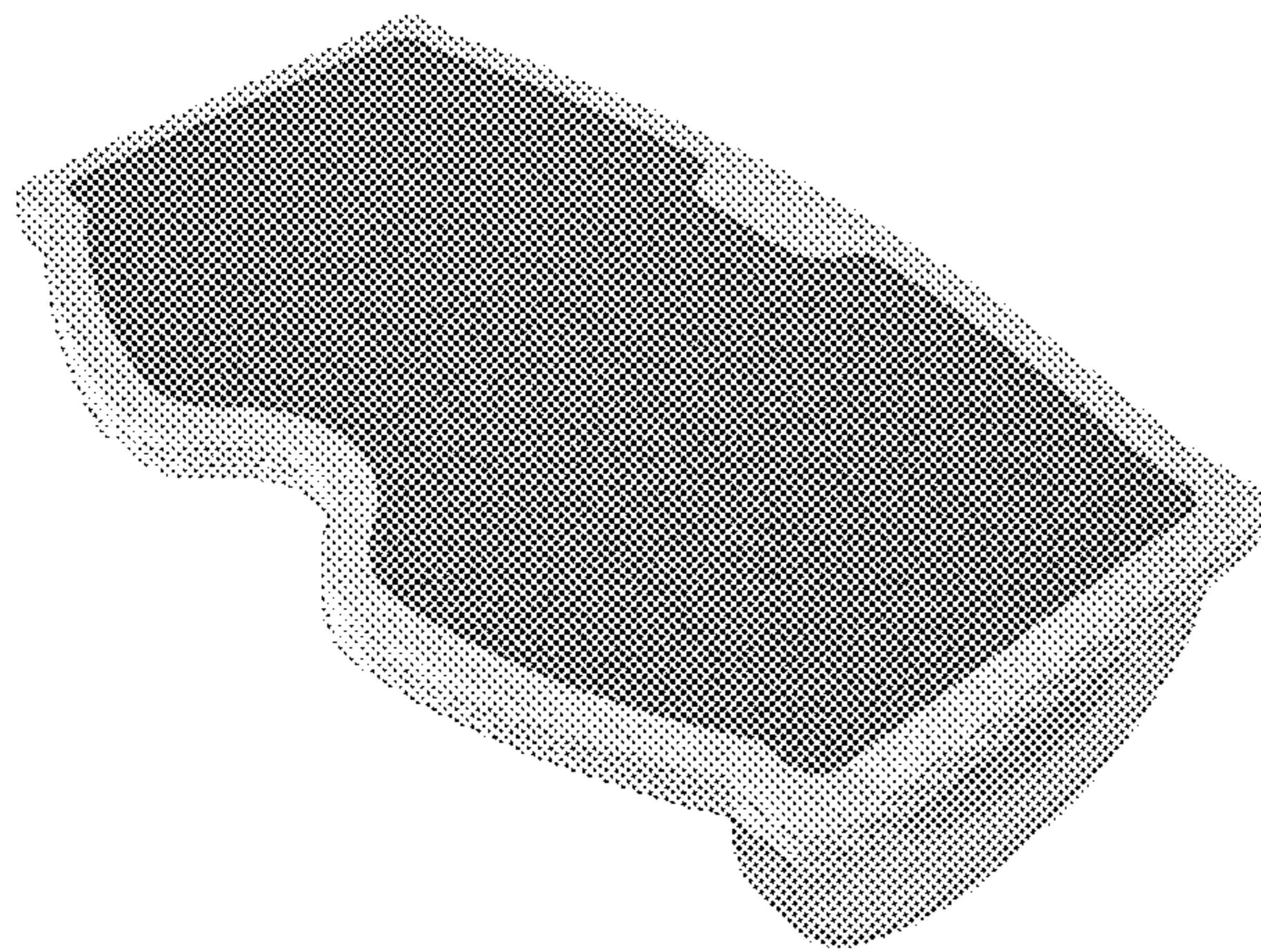
FIG. 15 is a left elevation view thereof.

FIG. 16 is a right elevation view thereof.

FIG. 17 is a front perspective view thereof; and,

FIG. 18 is a rear perspective view thereof.

1 Claim, 18 Drawing Sheets



(56)

References Cited

U.S. PATENT DOCUMENTS

D471,605 S * 3/2003 Teff D21/662
D566,976 S * 4/2008 Pattison D6/349
D875,194 S * 2/2020 Zhou D21/688

OTHER PUBLICATIONS

Strong-Tek, available in Facebook.com, published Dec. 19, 2019
Year 2019 [online], Retrieved on Nov. 15, 2021 from URL: <https://www.facebook.com/StrongTekOfficial/photos/a.817207618620916/1043855625956113> (Year: 2019).*

* cited by examiner

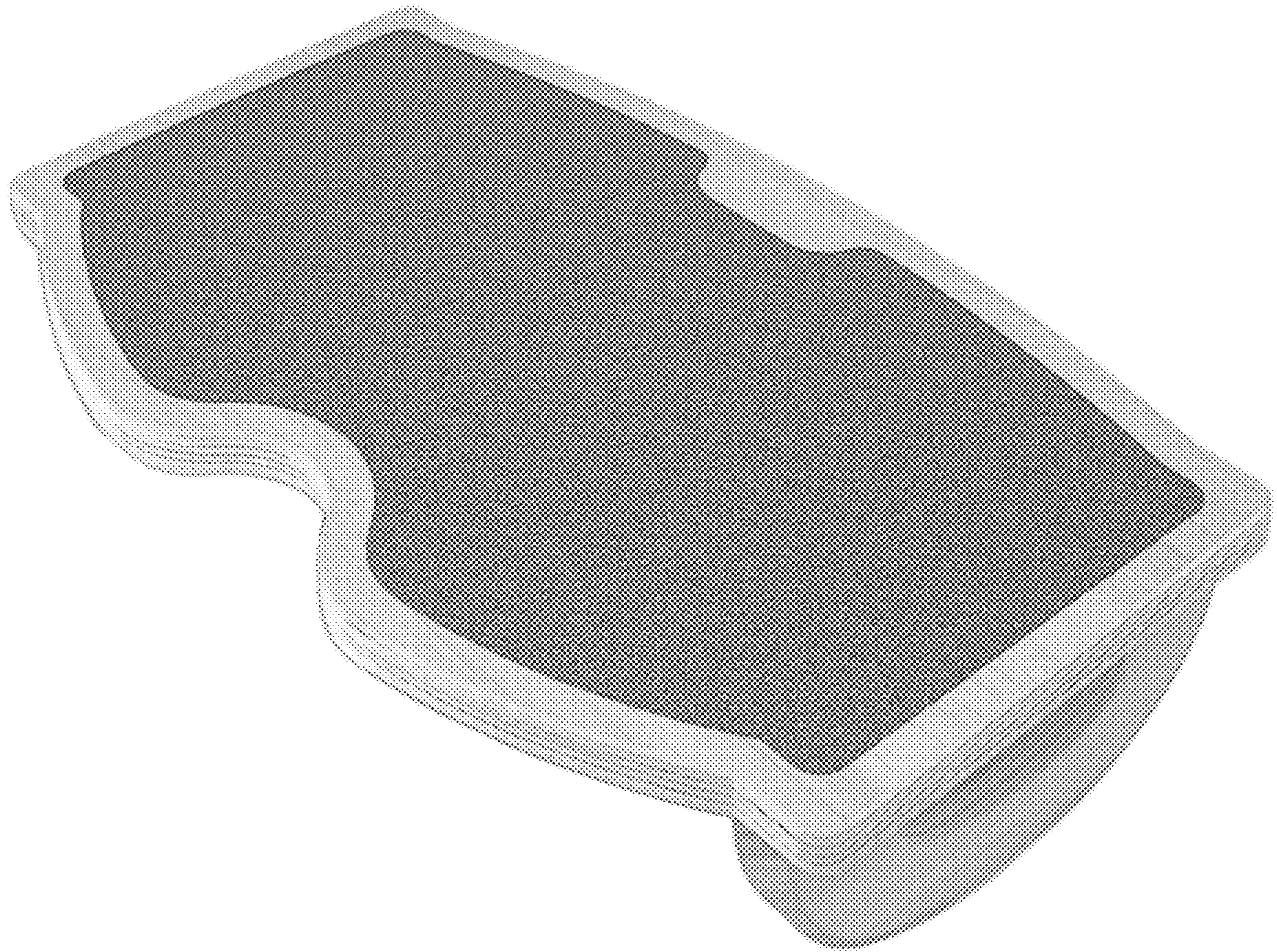


FIG. 1

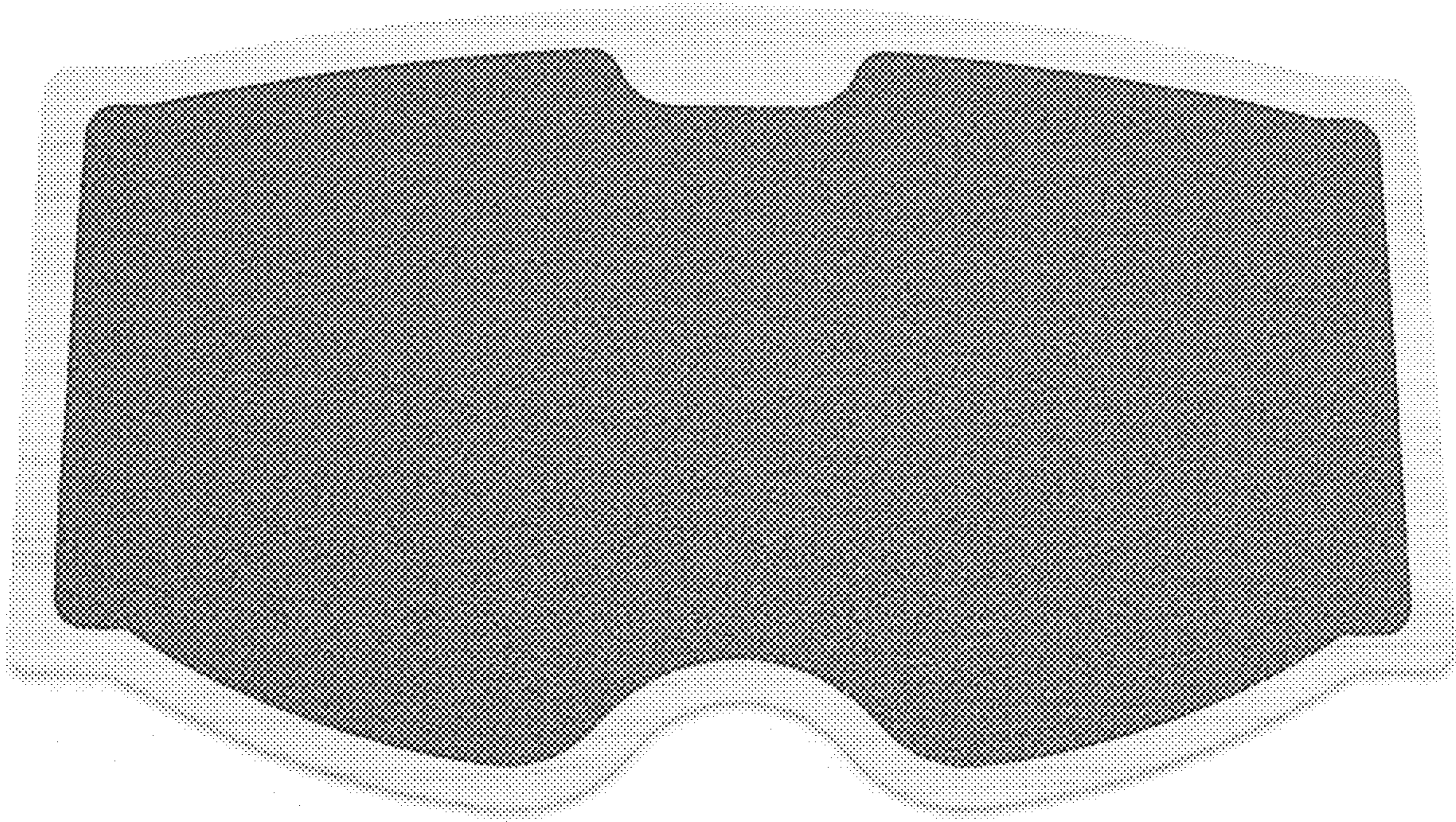


FIG. 2



FIG. 3



FIG. 4



FIG. 5

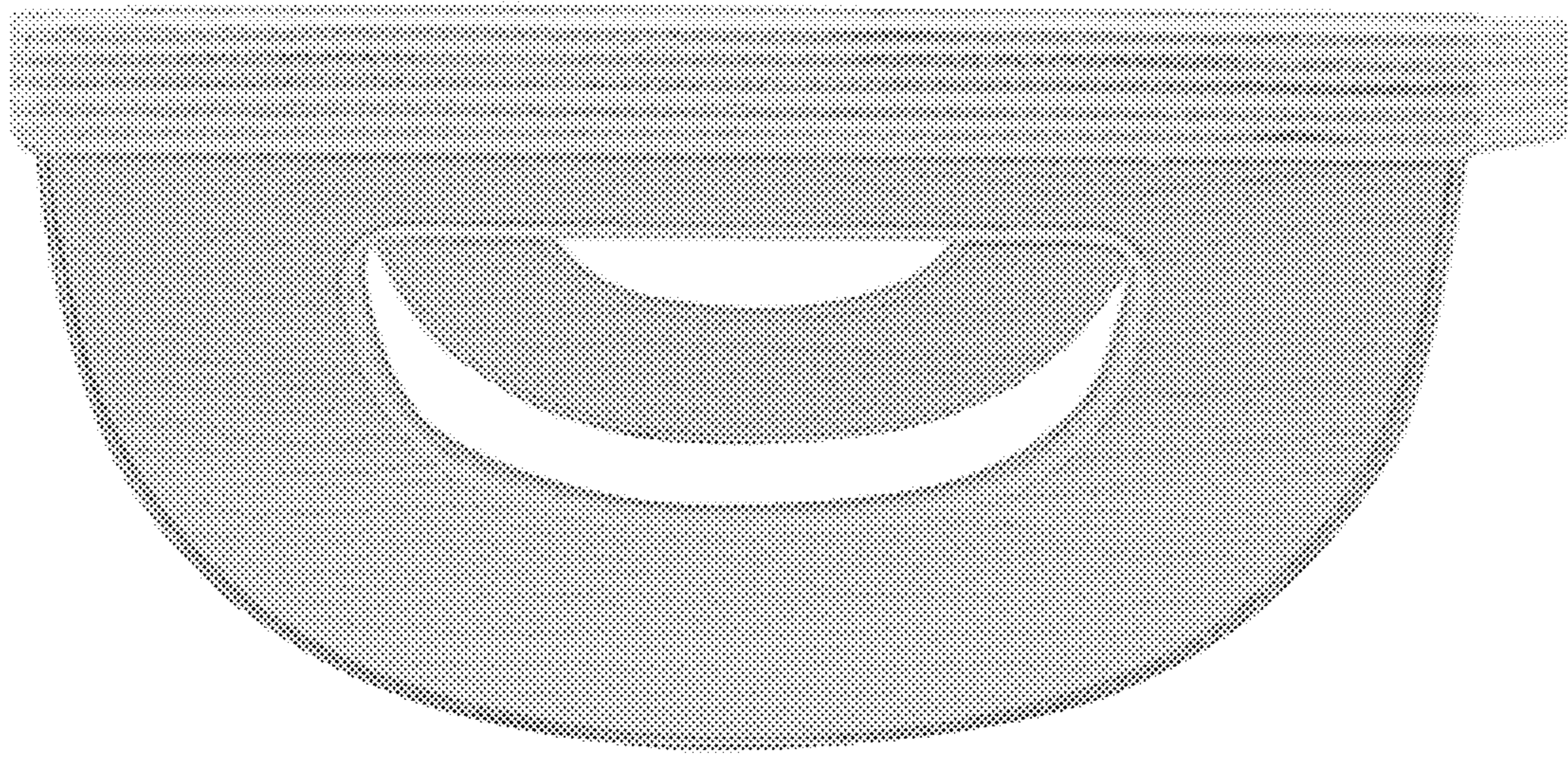


FIG. 6



FIG. 7

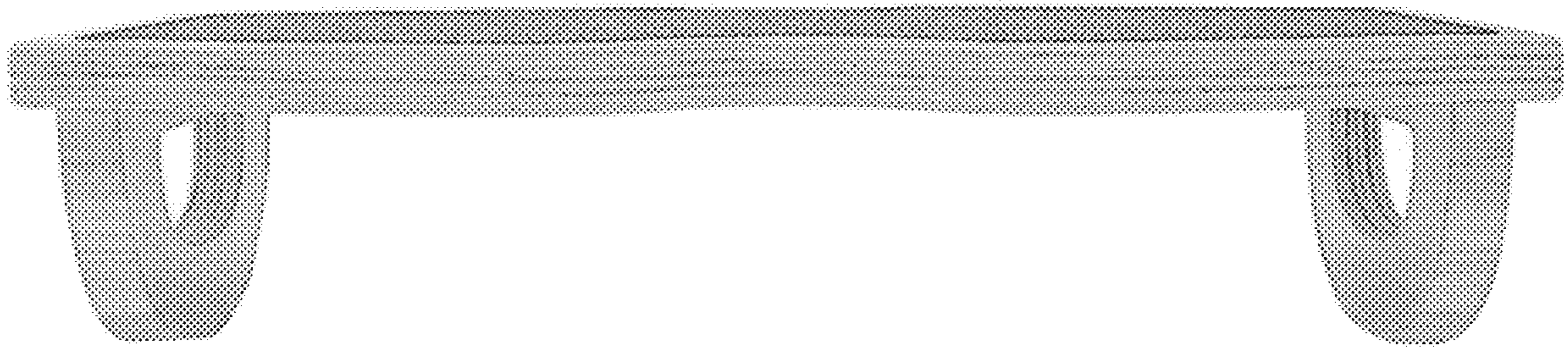


FIG. 8

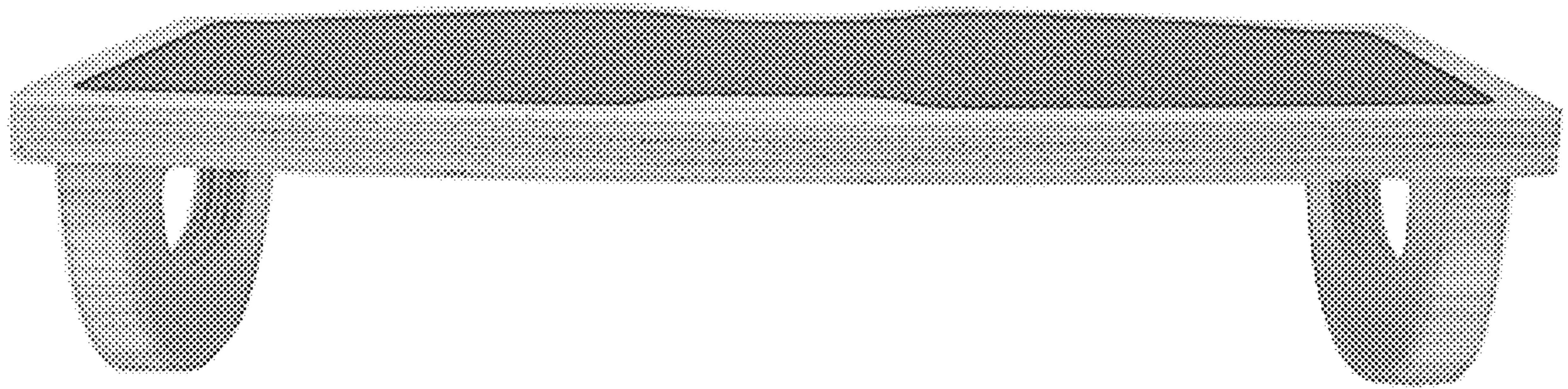


FIG. 9



FIG. 10



FIG. 11

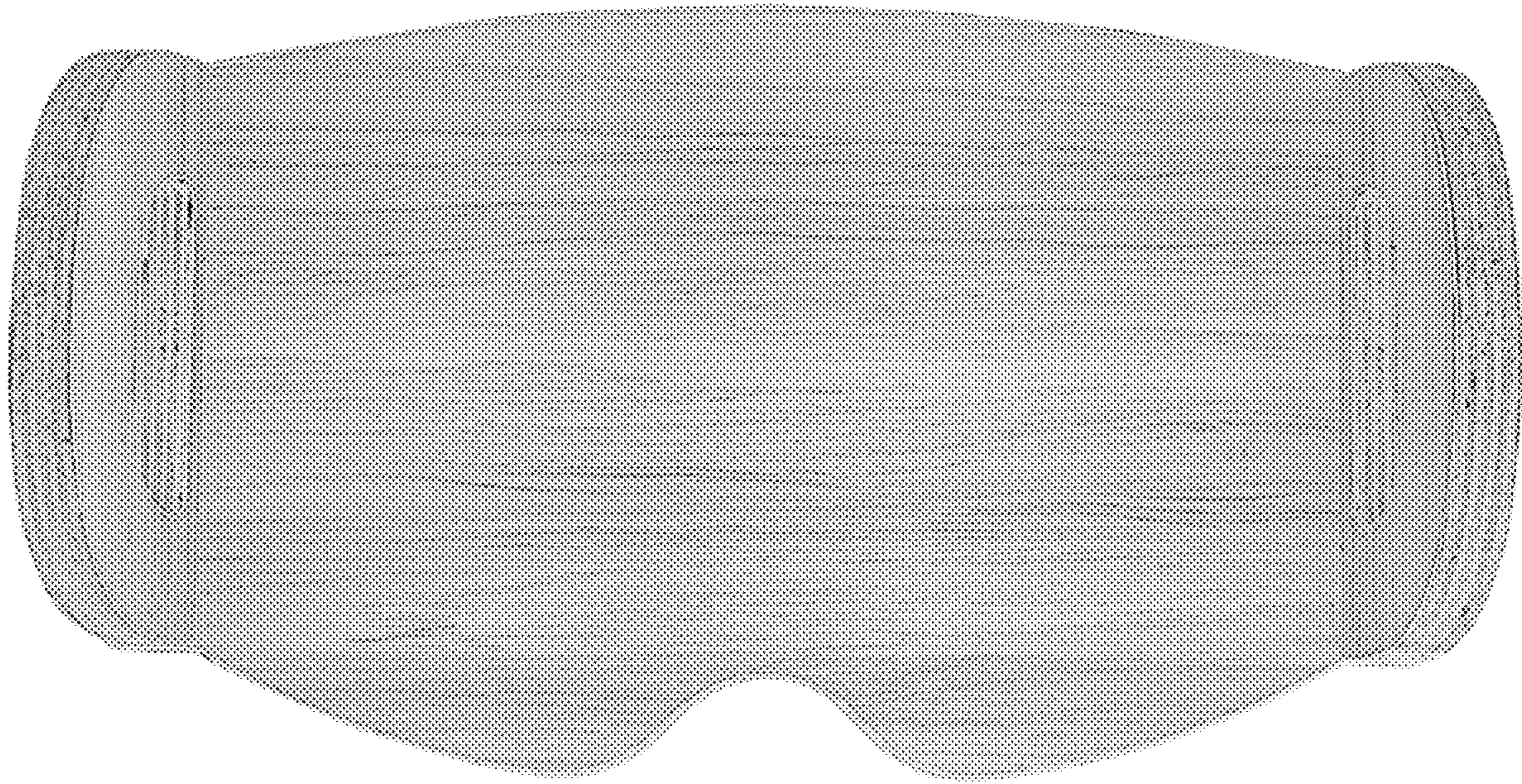


FIG. 12



FIG. 13



FIG. 14

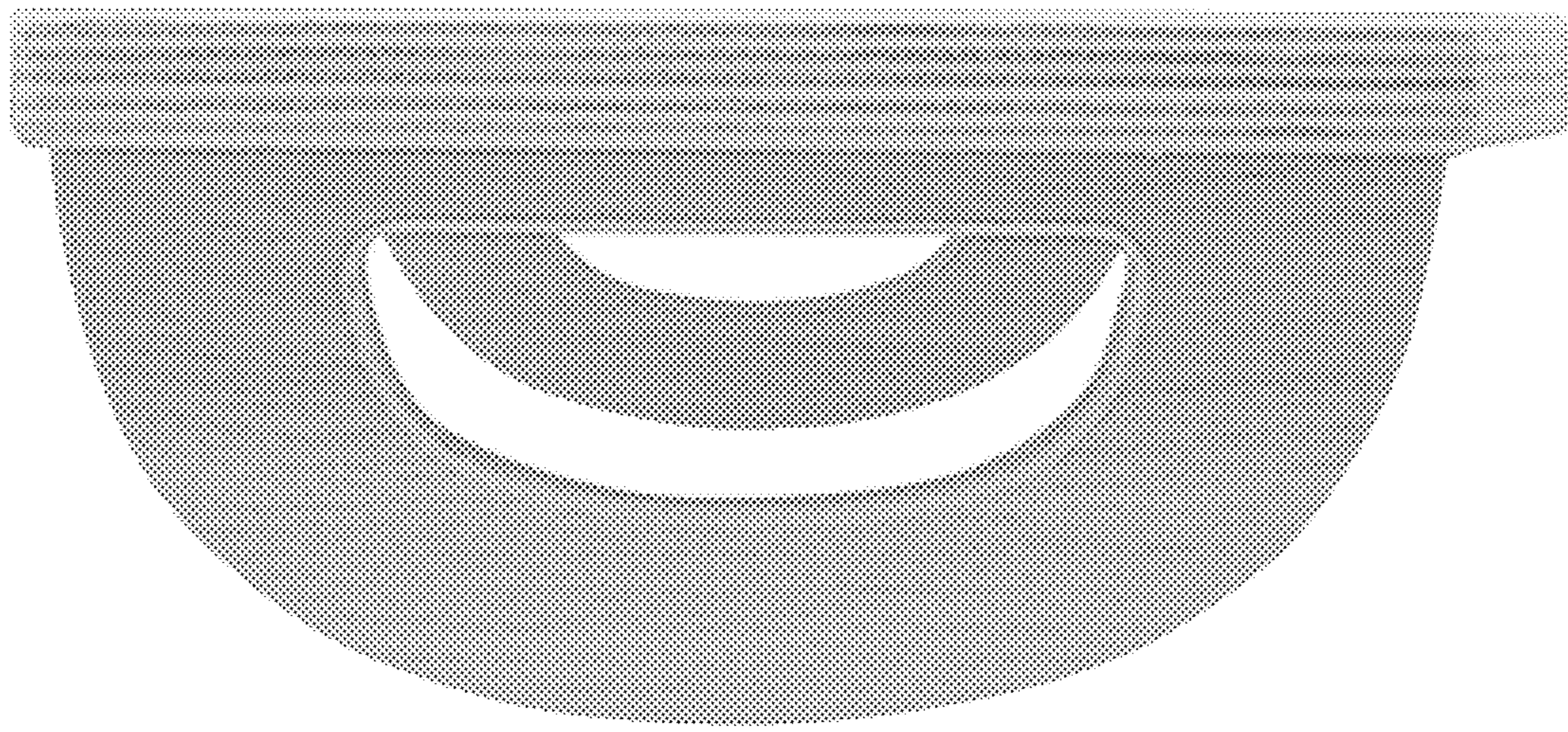


FIG. 15

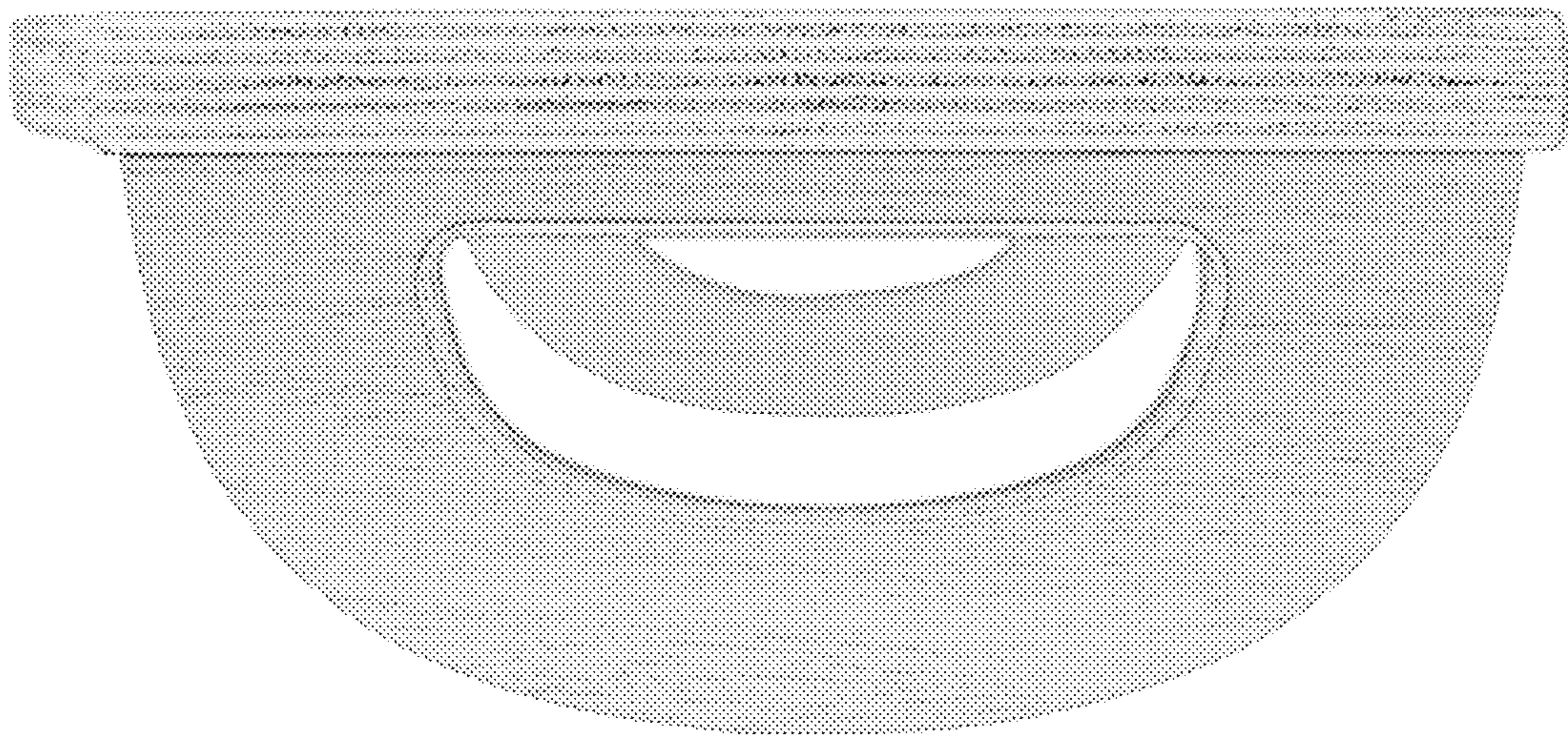


FIG. 16

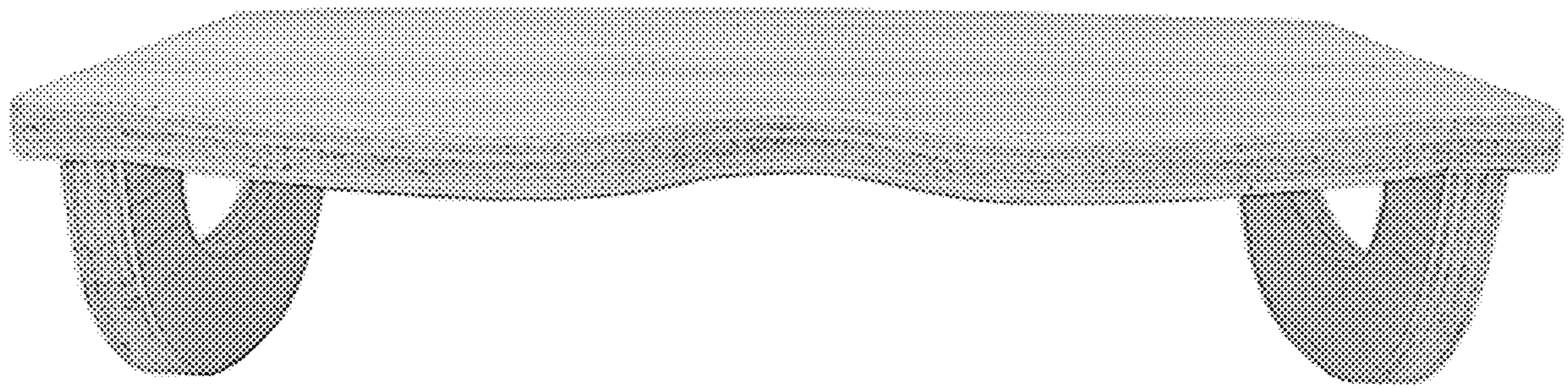


FIG. 17

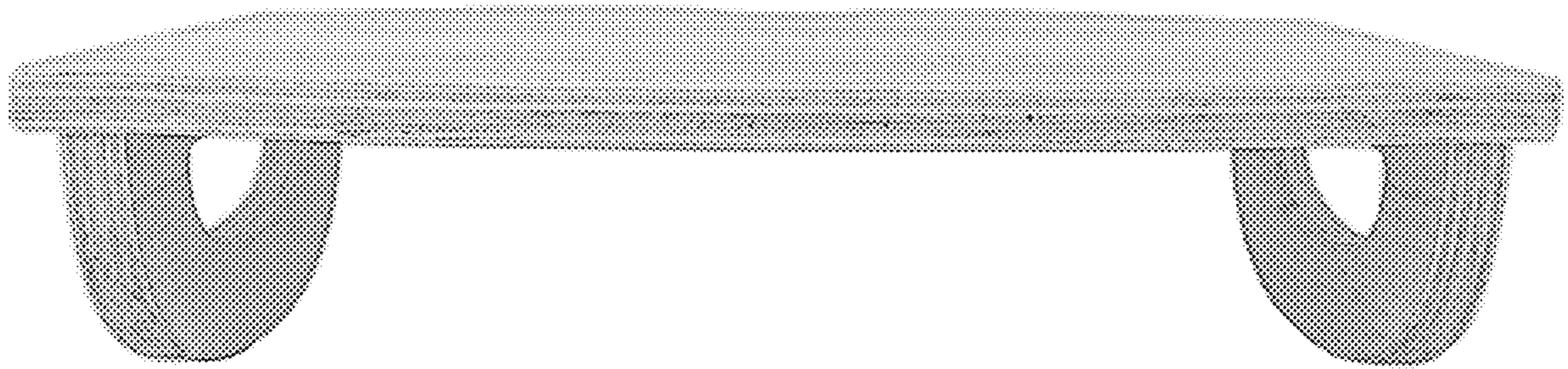


FIG. 18