



US00D950967S

(12) **United States Design Patent** (10) **Patent No.:** **US D950,967 S**
Coyle, Jr. et al. (45) **Date of Patent:** **** May 10, 2022**

(54) **PICTURE FRAME**

FOREIGN PATENT DOCUMENTS

(71) Applicant: **MCS Industries, Inc.**, Easton, PA (US)

CA 2089443 A1 8/1994
WO 9003753 A1 4/1990

(Continued)

(72) Inventors: **Robert Terry Coyle, Jr.**, Palmer, PA (US); **Matthew Scott Kressin**, Allentown, PA (US)

Primary Examiner — Deanna L Pratt
(74) *Attorney, Agent, or Firm* — Belles Katz LLC

(73) Assignee: **MCS Industries, Inc.**

(57) **CLAIM**

We claim the ornamental design for a picture frame, as shown and described.

(**) Term: **15 Years**

DESCRIPTION

(21) Appl. No.: **29/681,379**

(22) Filed: **Feb. 25, 2019**

(51) **LOC (13) Cl.** **06-07**

(52) **U.S. Cl.**

USPC **D6/311**

(58) **Field of Classification Search**

USPC D6/300, 308, 310, 311, 312

CPC A47G 1/0611

See application file for complete search history.

FIG. 1 is a rear perspective view of a picture frame according to a first embodiment of our new design, wherein an easel of the picture frame is in a storage position; FIG. 2 is a front perspective view thereof; FIG. 3 is a front view thereof; FIG. 4 is a rear view thereof; FIG. 5 is a left side view thereof; FIG. 6 is a right side view thereof; FIG. 7 is a top view thereof; FIG. 8 is a bottom view thereof; FIG. 9 is a rear perspective view thereof, wherein the easel of the picture frame is in a use position; FIG. 10 is a rear perspective view of a picture frame according to a second embodiment of our new design, wherein an easel of the picture frame is in a storage position; FIG. 11 is a front perspective view thereof; FIG. 12 is a front view thereof; FIG. 13 is a rear view thereof; FIG. 14 is a left side view thereof; FIG. 15 is a right side view thereof; FIG. 16 is a top view thereof; FIG. 17 is a bottom view thereof; and, FIG. 18 is a rear perspective view thereof, wherein the easel of the picture frame is in a use position. The broken lines in the drawings illustrate portions of the picture frame that form no part of the claimed design.

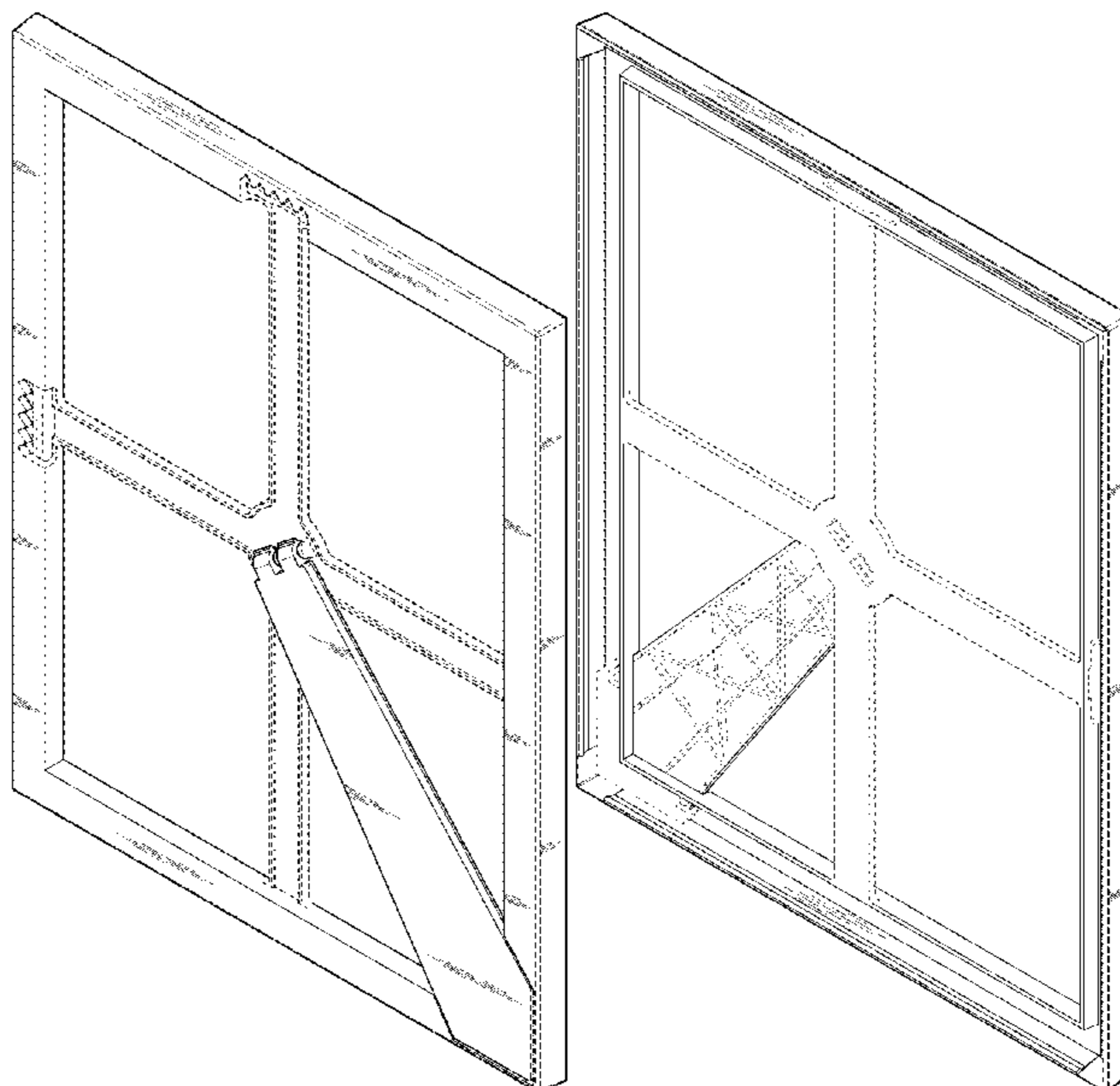
(56) **References Cited**

U.S. PATENT DOCUMENTS

2,401,241	A	5/1946	Grobholz	
3,686,783	A	8/1972	Levy	
3,771,244	A	11/1973	Ebner	
3,908,955	A	9/1975	Frechtman	
D241,292	S *	9/1976	Weiss	D6/311
3,990,670	A	11/1976	Frechtman	
4,058,283	A	11/1977	Frechtman	
4,199,126	A	4/1980	Komendowski	
4,216,597	A	8/1980	Kocina et al.	
4,432,152	A	2/1984	Daenen	
4,509,712	A	4/1985	Moller	
4,515,338	A	5/1985	Schneider	
4,622,767	A	11/1986	Sullivan	

(Continued)

1 Claim, 14 Drawing Sheets



(56)

References Cited

U.S. PATENT DOCUMENTS

4,776,117	A	10/1988	Astolfi	
4,798,015	A *	1/1989	Ackeret	A47G 1/143 40/753
4,871,140	A	10/1989	Hoskinson et al.	
5,974,714	A	11/1999	Jones	
D423,794	S *	5/2000	Brownfield	D6/300
6,405,466	B1	6/2002	Lemire	
D476,818	S *	7/2003	Stravitz	D6/300
6,694,656	B2	2/2004	Flodin et al.	
D503,542	S *	4/2005	Chen	D6/300
D569,630	S *	5/2008	Bradford	D6/310
7,484,326	B2	2/2009	Tamura et al.	
D641,175	S *	7/2011	Tang	D6/301
8,011,510	B1	9/2011	Smith et al.	
D839,001	S *	1/2019	Berrios	D6/311
10,939,774	B2 *	3/2021	Coyle, Jr.	A47G 1/143
D916,470	S *	4/2021	Liu	D6/300
11,178,985	B2 *	11/2021	Bastian	A47G 1/1626
D940,470	S *	1/2022	Svihilik	D6/300
D940,471	S *	1/2022	Svihilik	D6/300
2007/0084743	A1	4/2007	Chu et al.	
2010/0192437	A1	8/2010	Fallander	
2017/0035221	A1	2/2017	Huff et al.	

FOREIGN PATENT DOCUMENTS

WO	2004098354	A2	11/2004
WO	2007008865	A2	1/2007

* cited by examiner

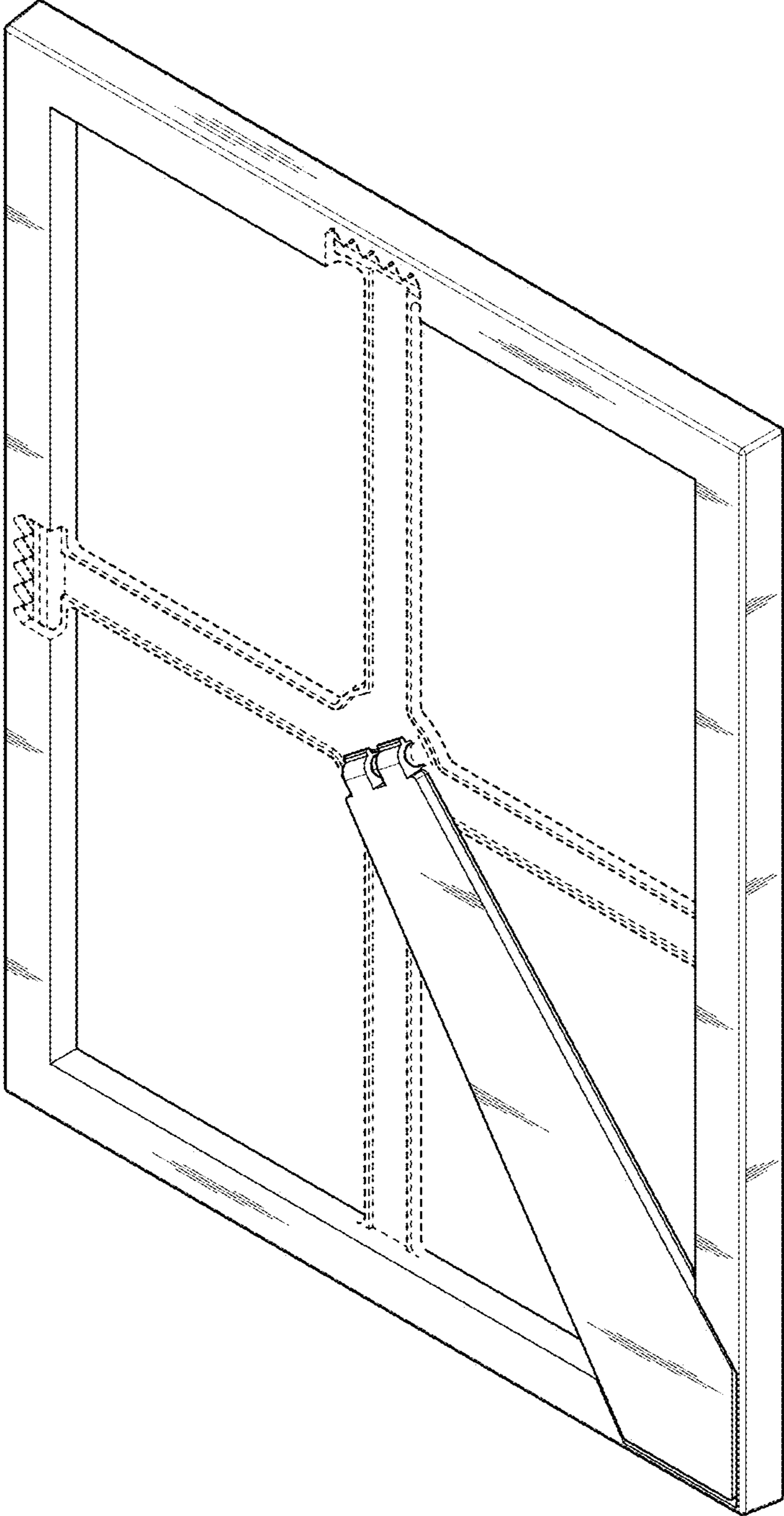


FIG. 1

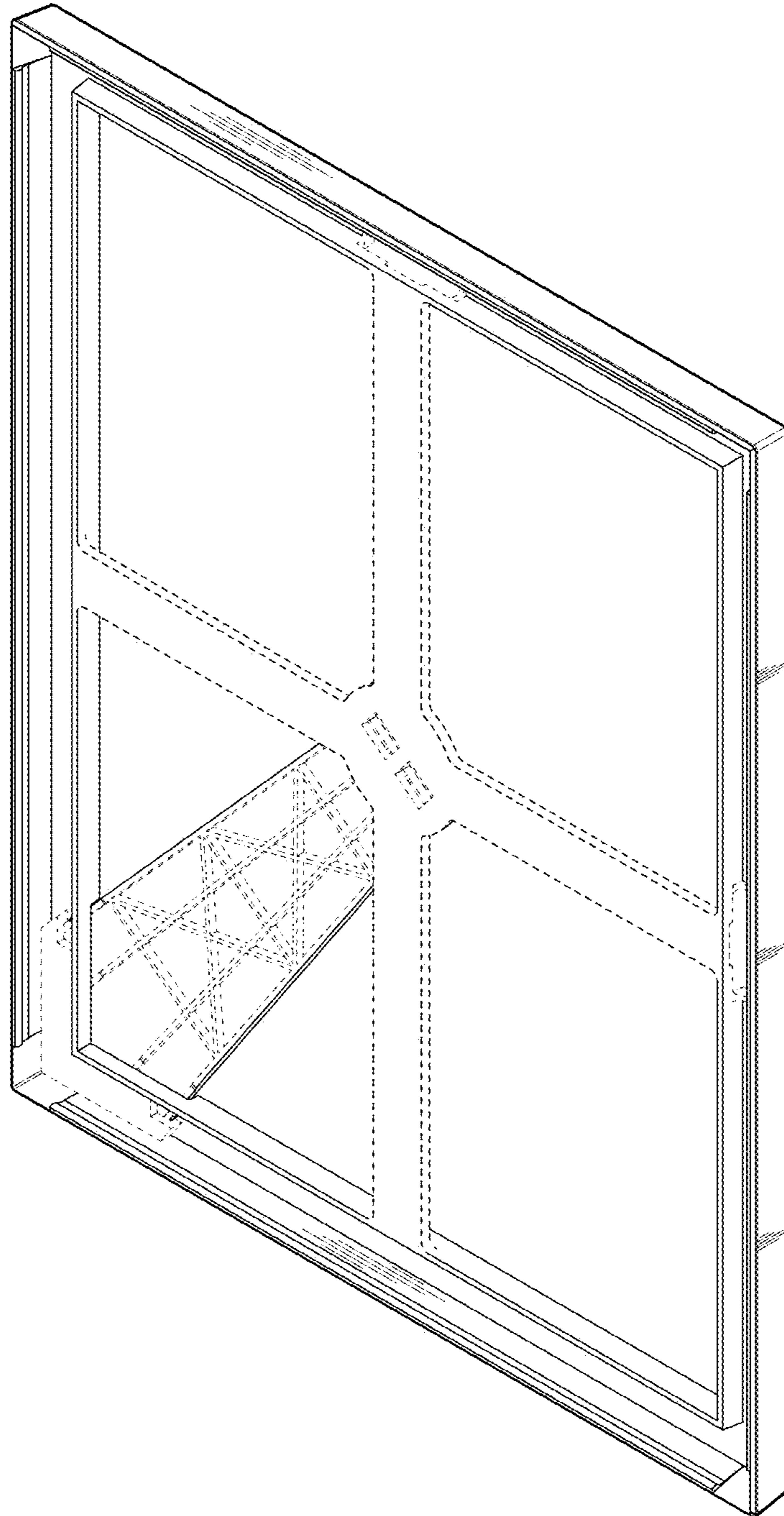


FIG. 2

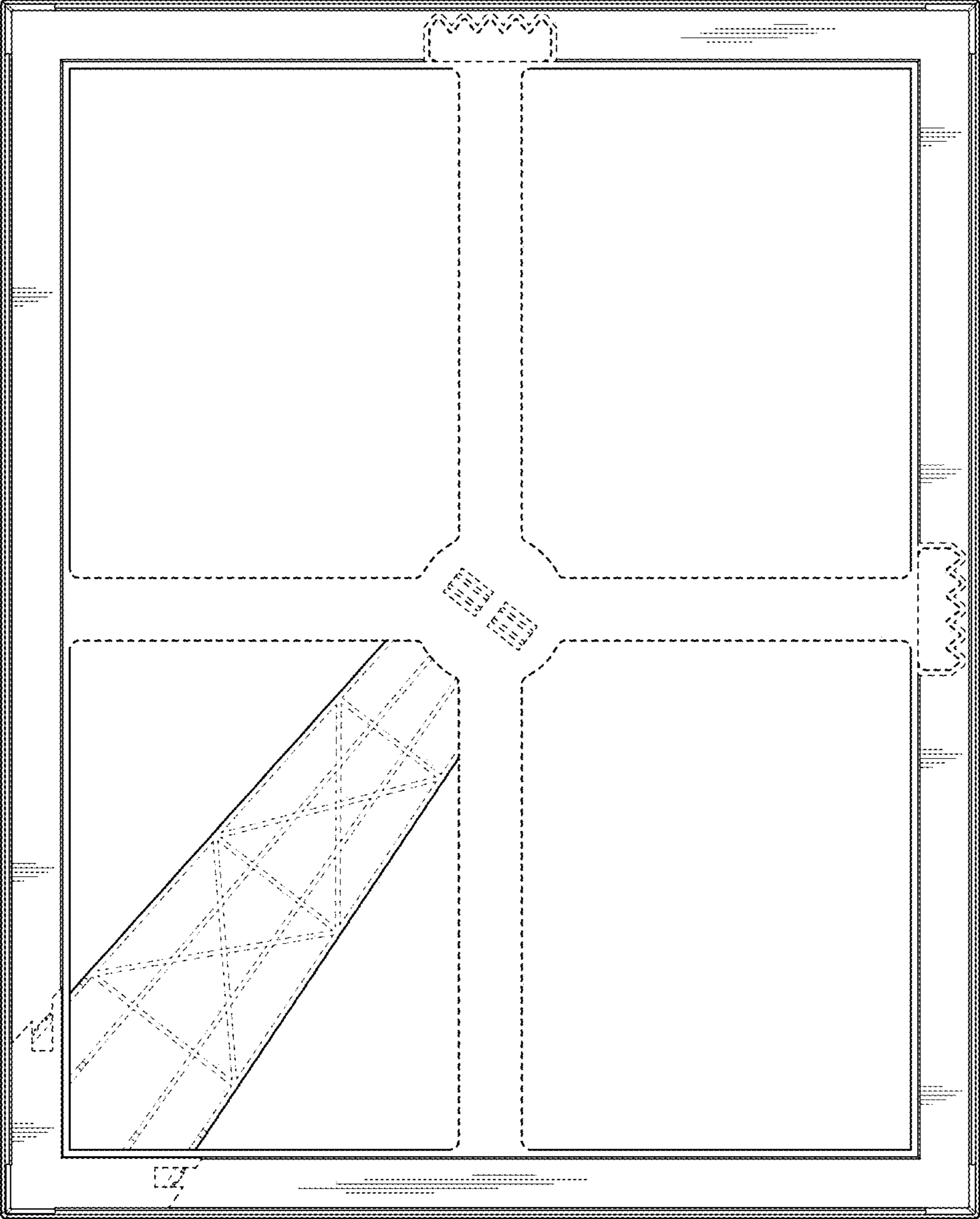


FIG. 3

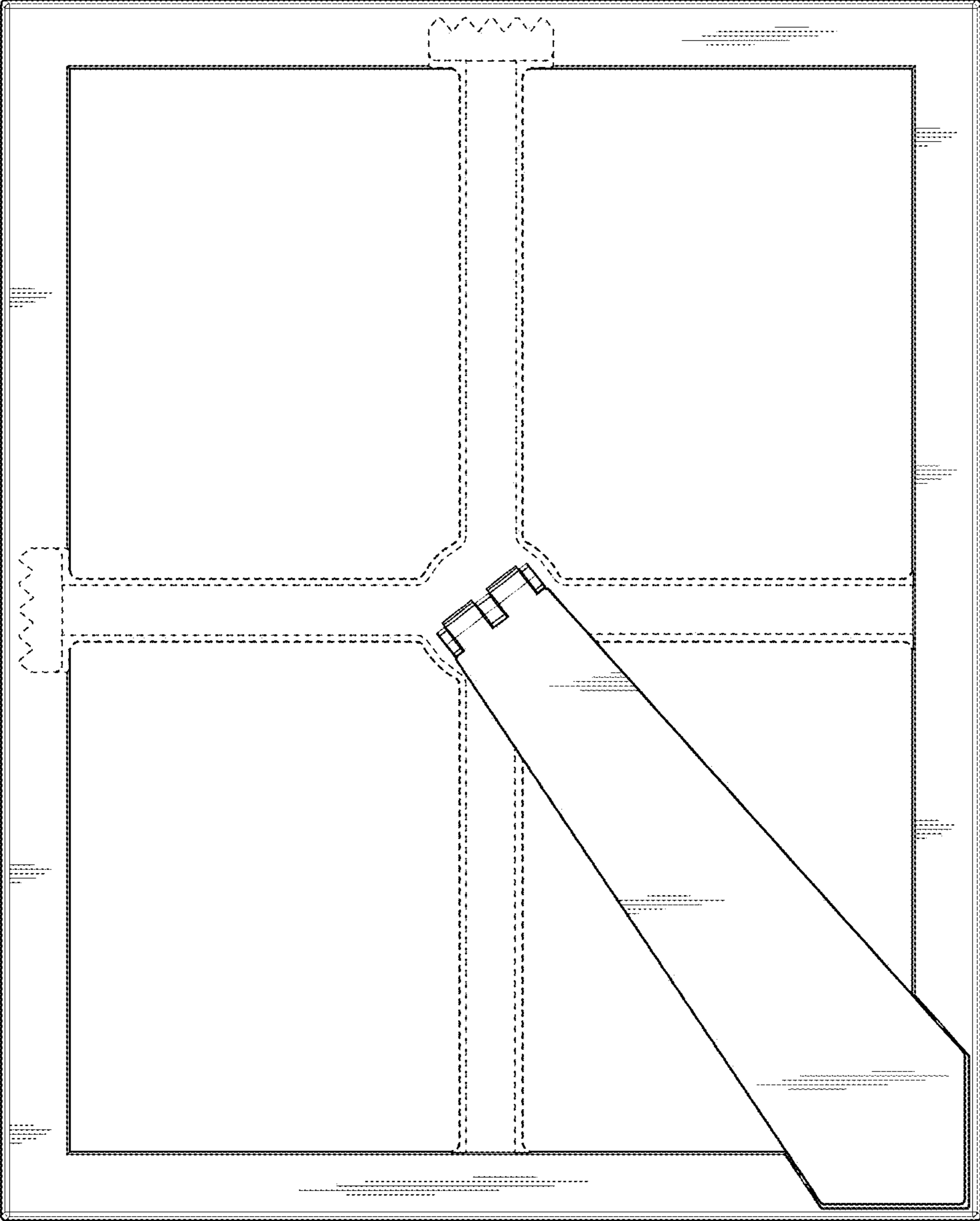


FIG. 4

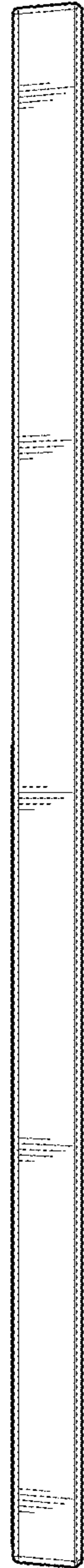


FIG. 5

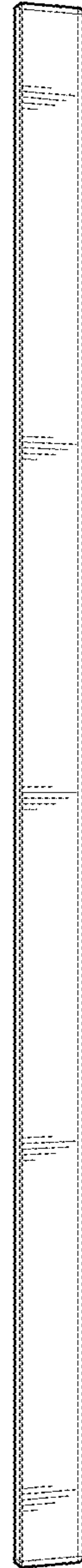


FIG. 6



FIG. 7

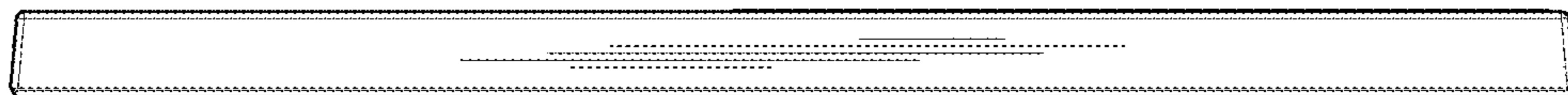


FIG. 8

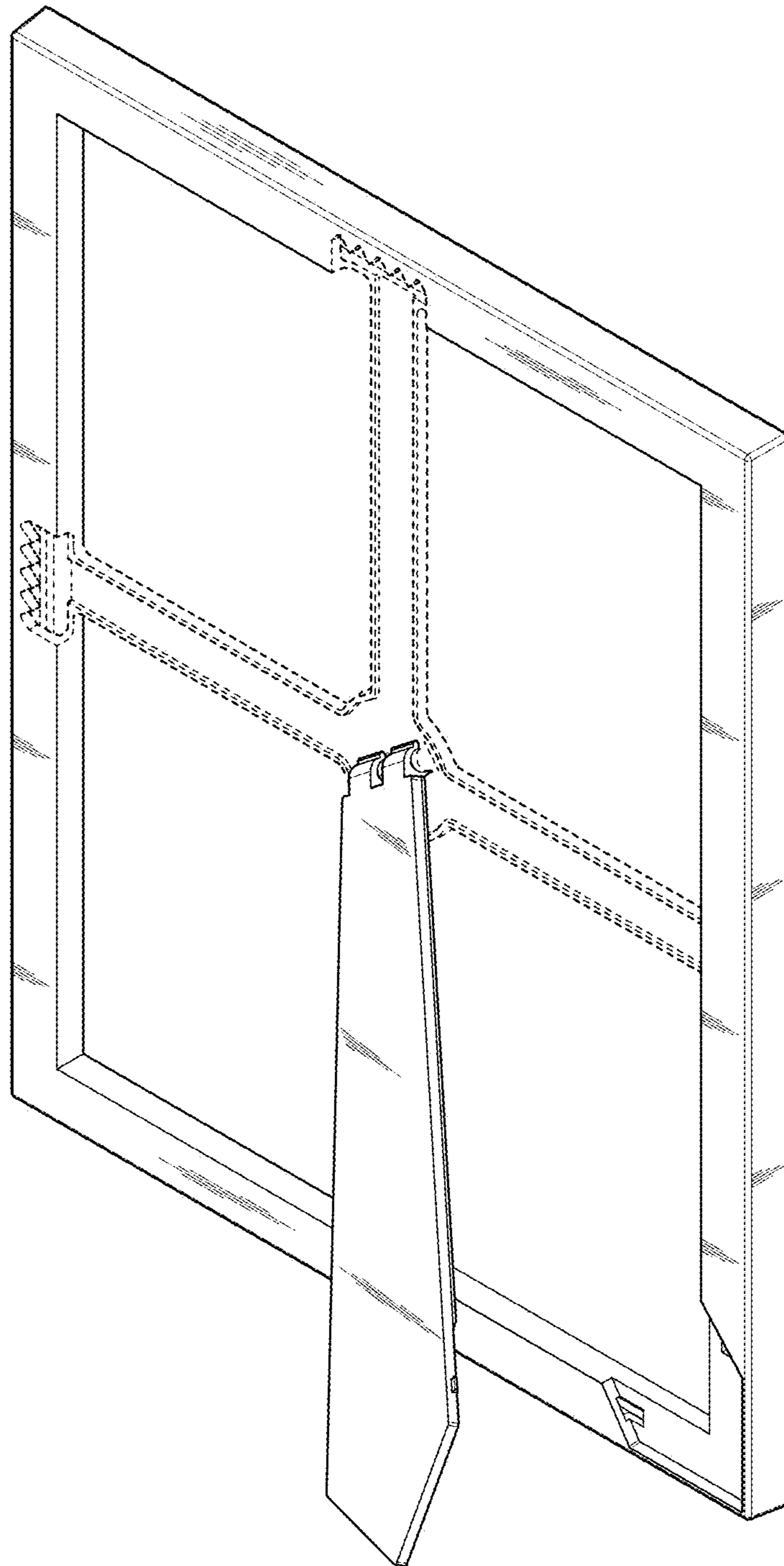


FIG. 9

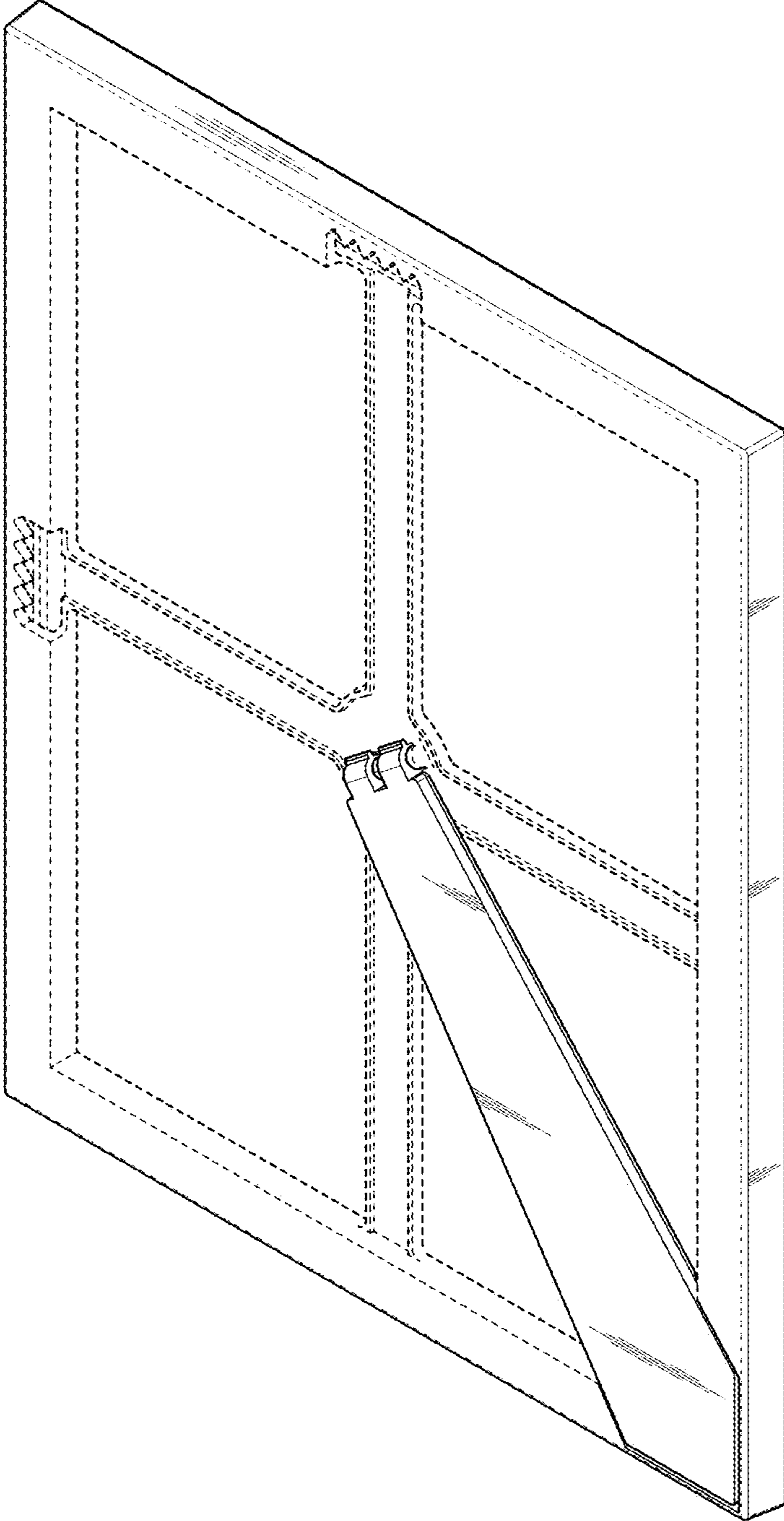


FIG. 10

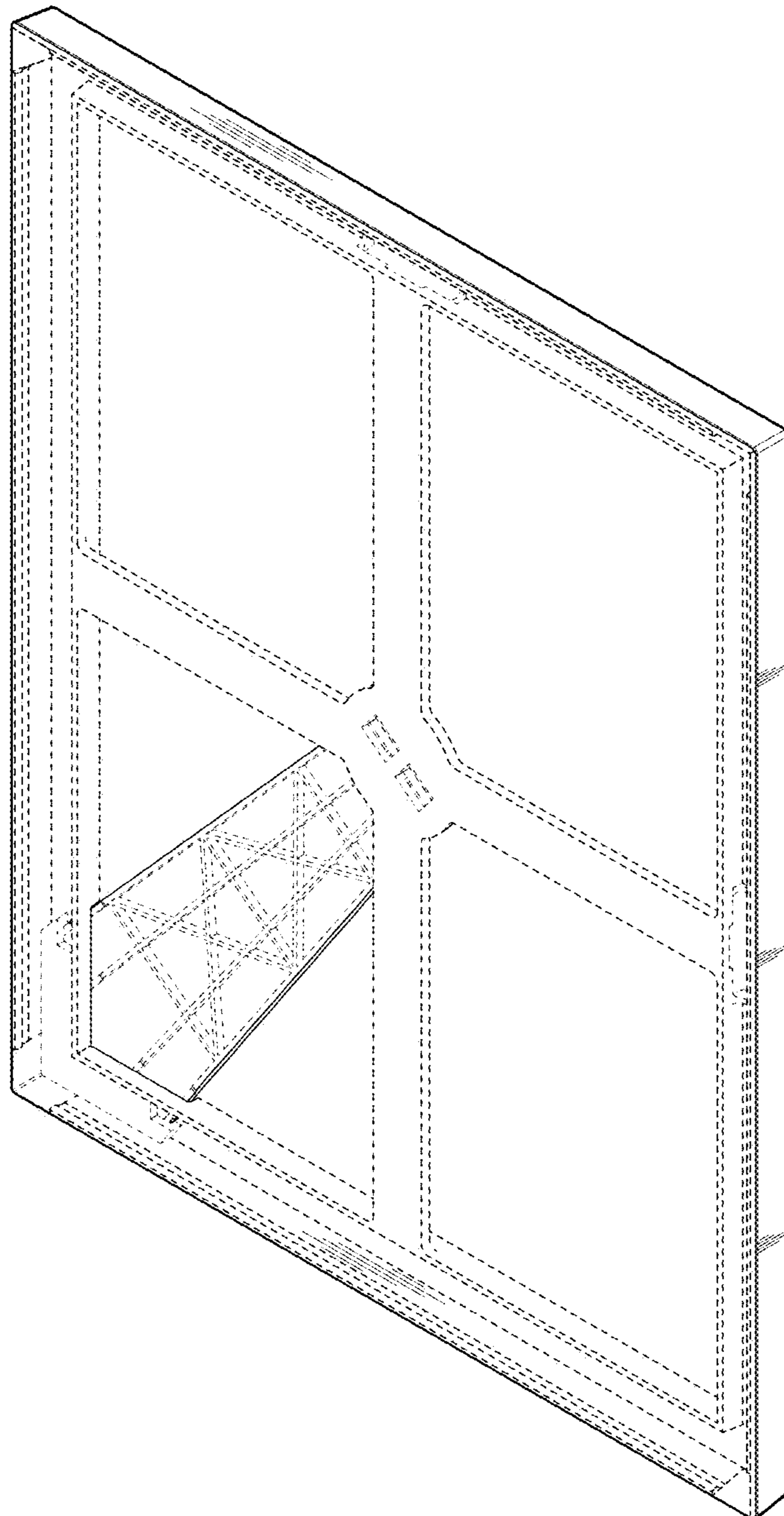


FIG. 11

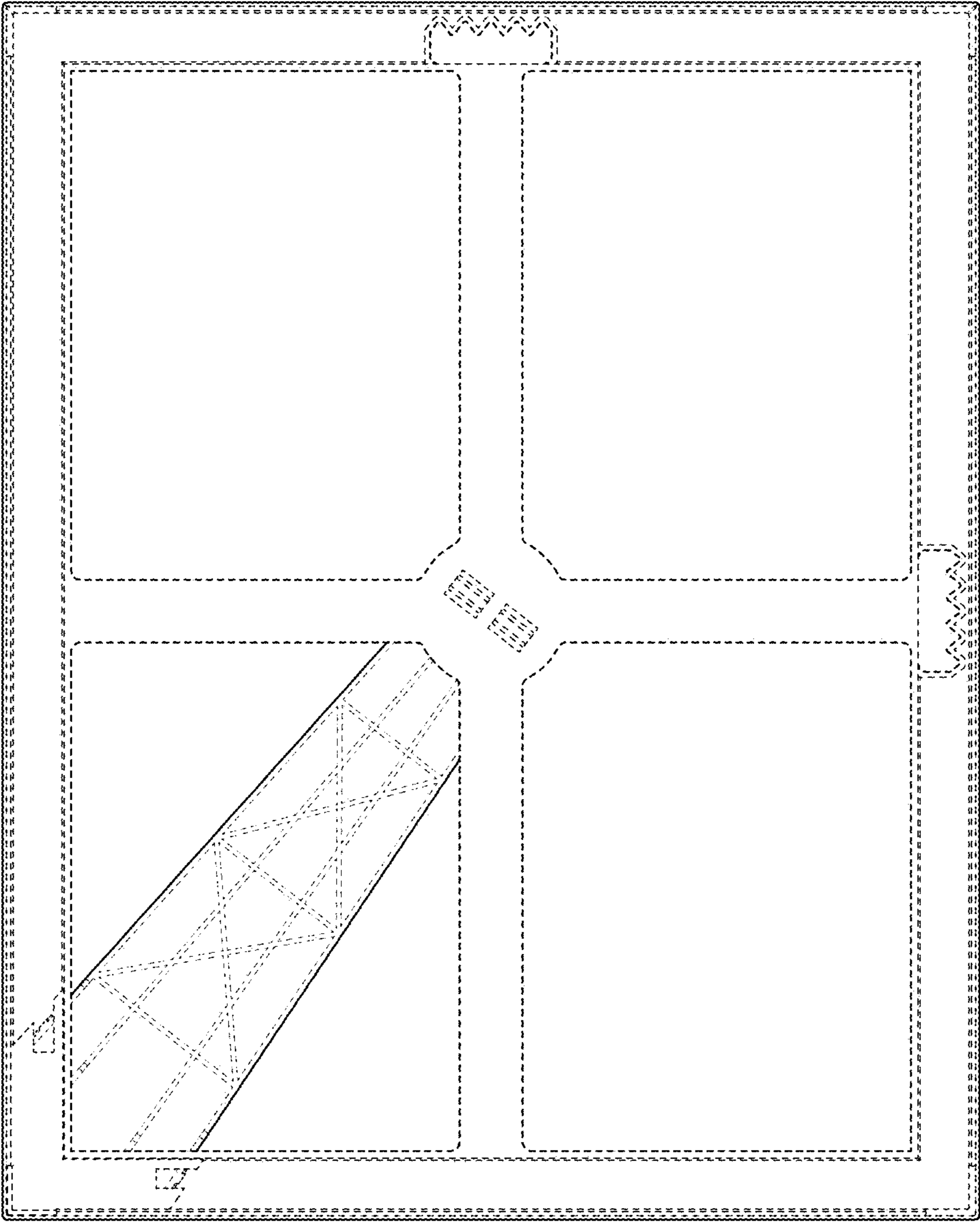


FIG. 12

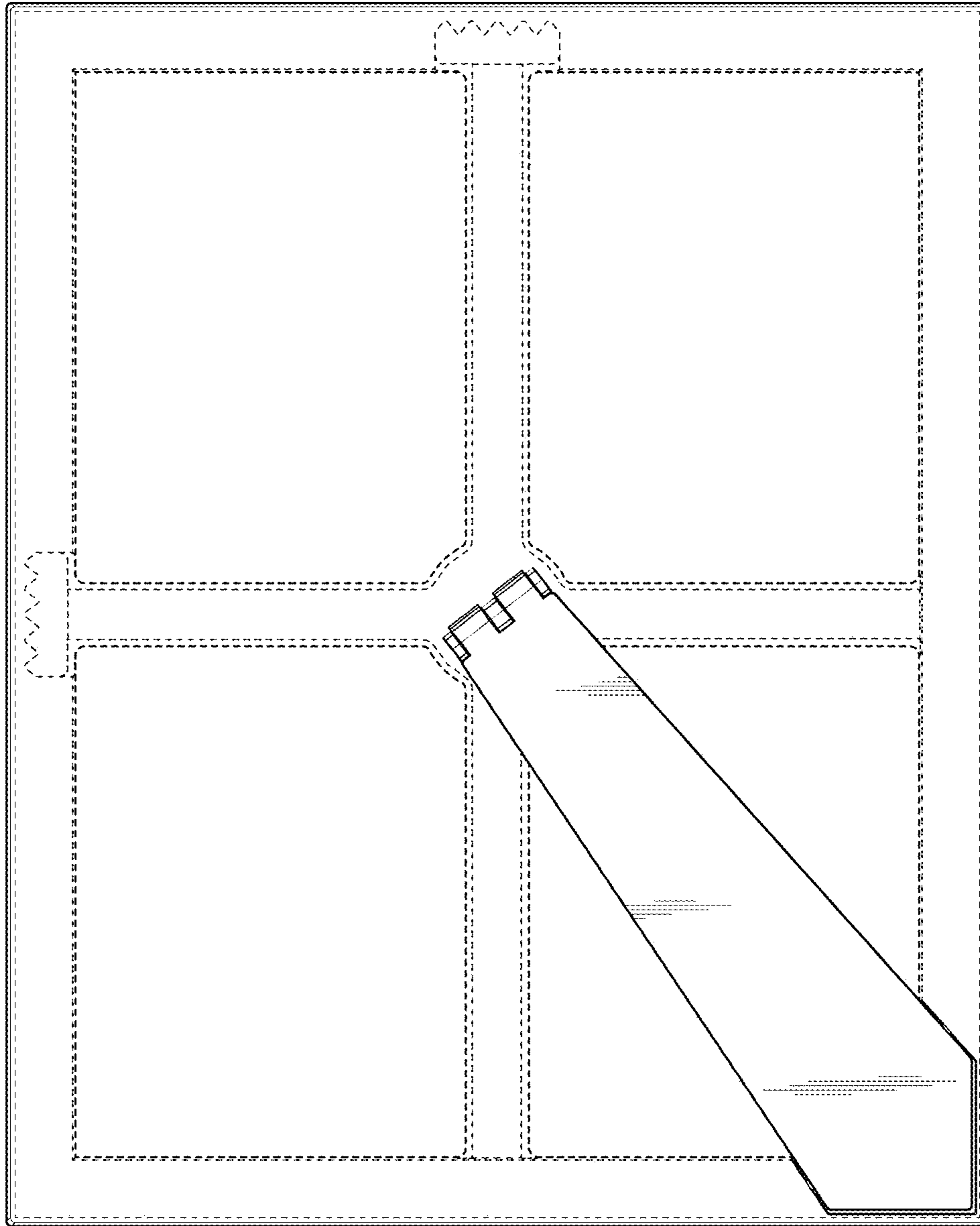


FIG. 13

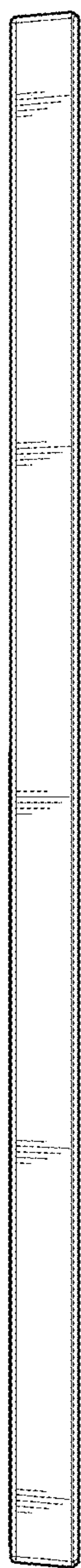


FIG. 14



FIG. 15



FIG. 16

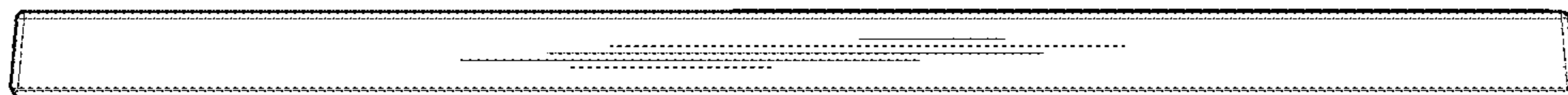


FIG. 17

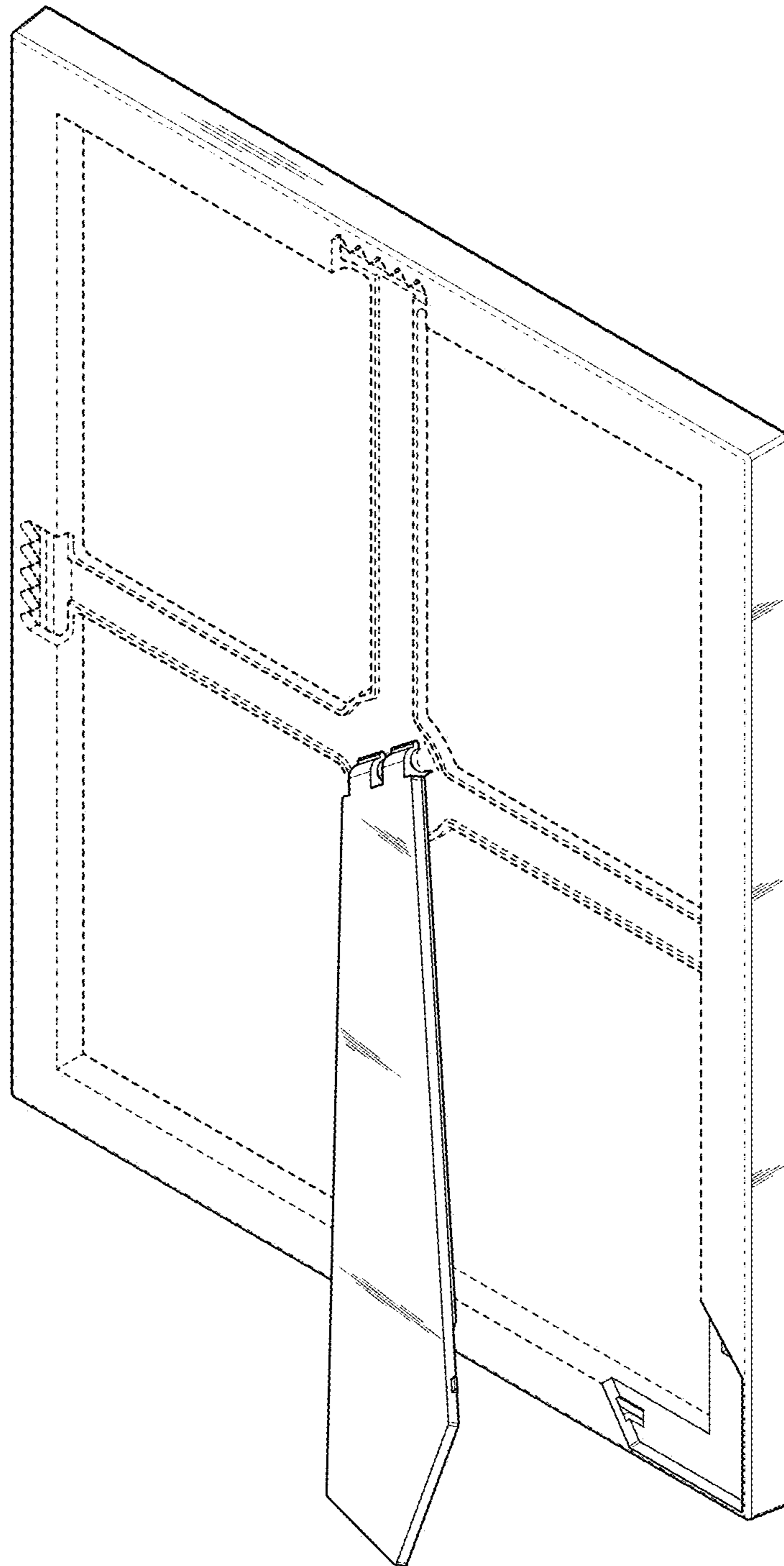


FIG. 18