



US00D950962S

(12) **United States Design Patent** (10) **Patent No.:** **US D950,962 S**
Russo (45) **Date of Patent:** **** May 10, 2022**

(54) **BRUSH**
(71) Applicant: **Goody Products, Inc.**, Atlanta, GA (US)
(72) Inventor: **Melissa Russo**, Commack, NY (US)
(73) Assignee: **Goody Products, Inc.**, Atlanta, GA (US)
(**) Term: **15 Years**
(21) Appl. No.: **29/799,241**
(22) Filed: **Jul. 13, 2021**
(51) **LOC (13) Cl.** **04-02**
(52) **U.S. Cl.**
USPC **D4/128**
(58) **Field of Classification Search**
USPC D4/128, 129, 131, 136, 138, 108, 109, D4/119; D32/35, 51; 15/104.5, 104.16, 15/104.2, 104.31, 104.32, 164, 165, 206; D28/65; D7/682; 452/298, 458
CPC A46B 2200/10; A46B 2200/104; A45D 2/10; A45D 1/00; A46D 1/003; A46D 3/087
See application file for complete search history.

(56) **References Cited**
U.S. PATENT DOCUMENTS
D436,736 S * 1/2001 Bigio D4/128
D543,363 S * 5/2007 Leung D4/136

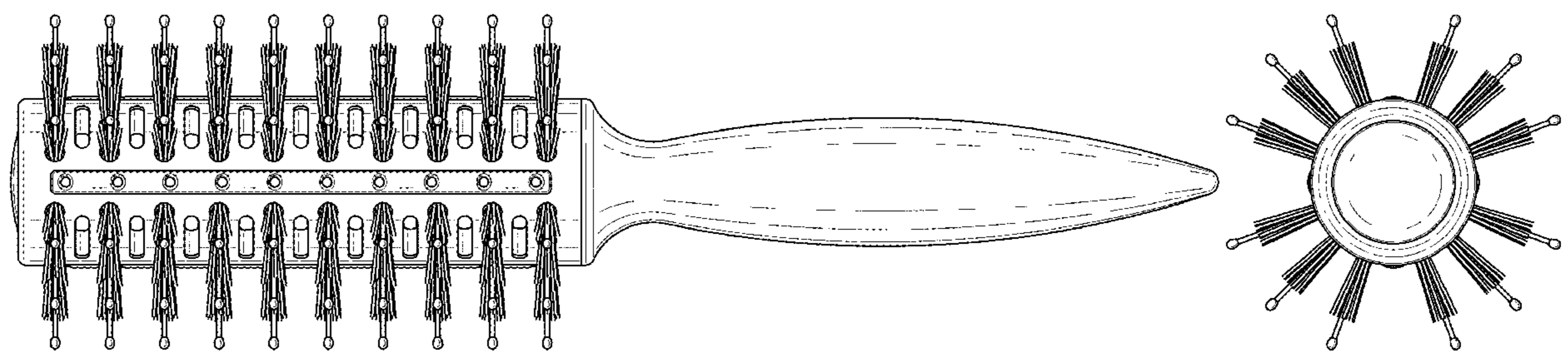
D823,005 S * 7/2018 Kuo D4/128
D846,887 S * 4/2019 Treeby D4/133
D884,360 S * 5/2020 Hou D4/128
D898,375 S * 10/2020 Robbins D4/133
D911,717 S * 3/2021 Rennette D4/128
D916,468 S * 4/2021 Rennette D4/128
D928,514 S * 8/2021 Rennette D4/128
D930,992 S * 9/2021 Hinds D4/128
D940,466 S * 1/2022 Russo D4/128
D942,152 S * 2/2022 Russo D4/133
2007/0022551 A1 * 2/2007 Kuo A46B 9/028
15/159.1

* cited by examiner
Primary Examiner — Austin Murphy
(74) *Attorney, Agent, or Firm* — Gloria Tsui-Yip, Esq.;
Gottlieb, Rackman & Reisman, P.C.

(57) **CLAIM**
The ornamental design for a brush, as shown and described.

DESCRIPTION
FIG. 1 is a perspective view of a brush of my new design; FIG. 2 is a top plan view thereof, the bottom plan and left side elevational views are identical; FIG. 3 is a right side elevational view thereof; FIG. 4 is a rear elevational view thereof; and, FIG. 5 is a front elevational view thereof.

1 Claim, 4 Drawing Sheets



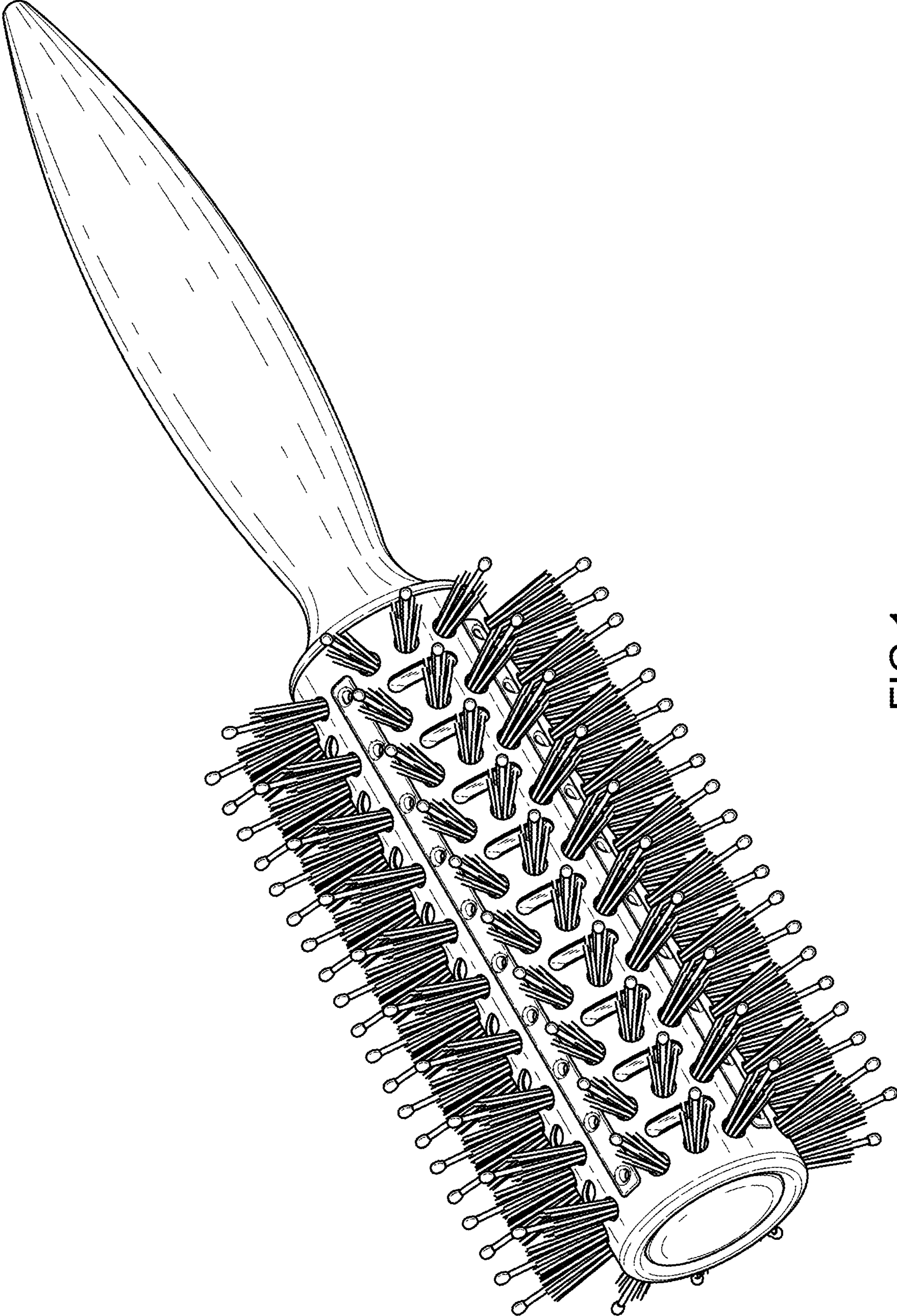


FIG. 1

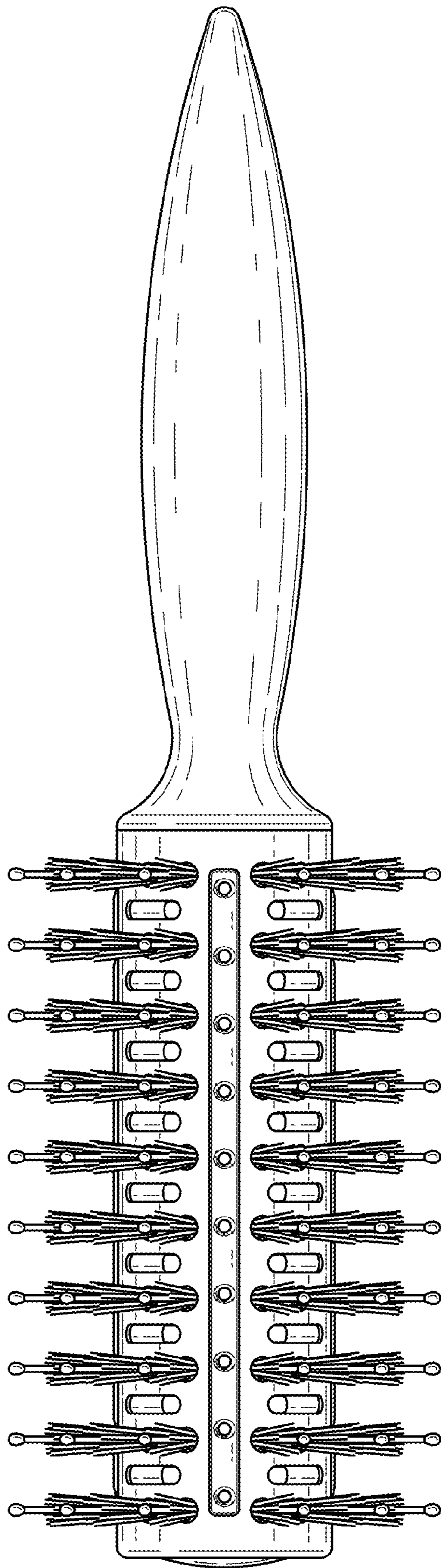


FIG.2

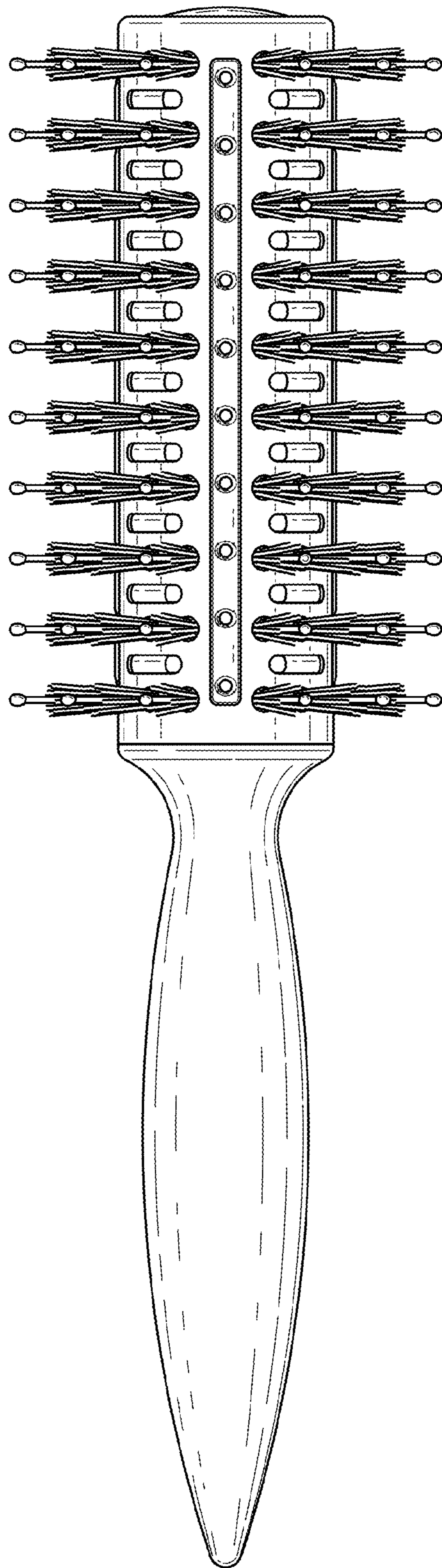


FIG.3

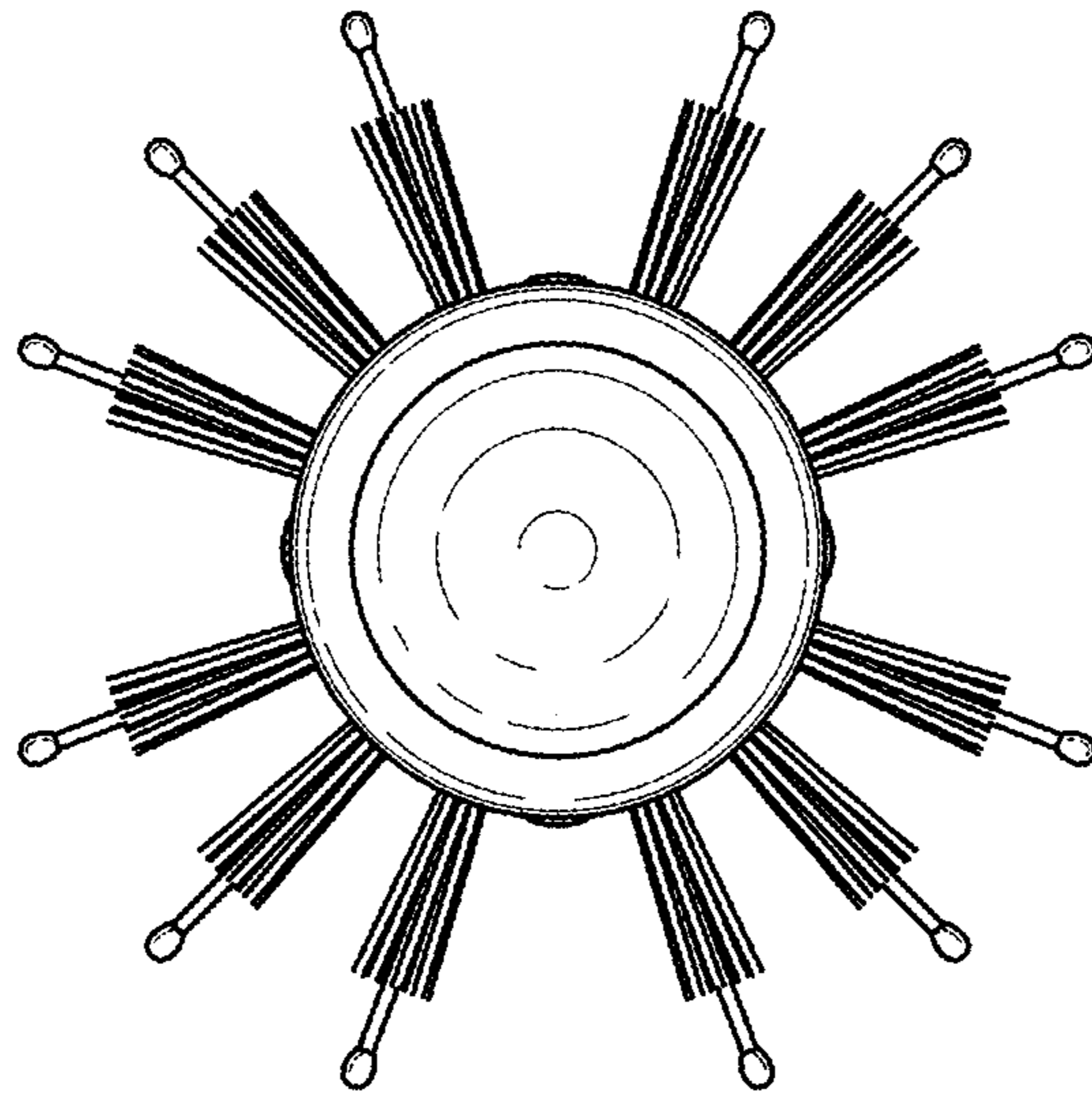


FIG.5

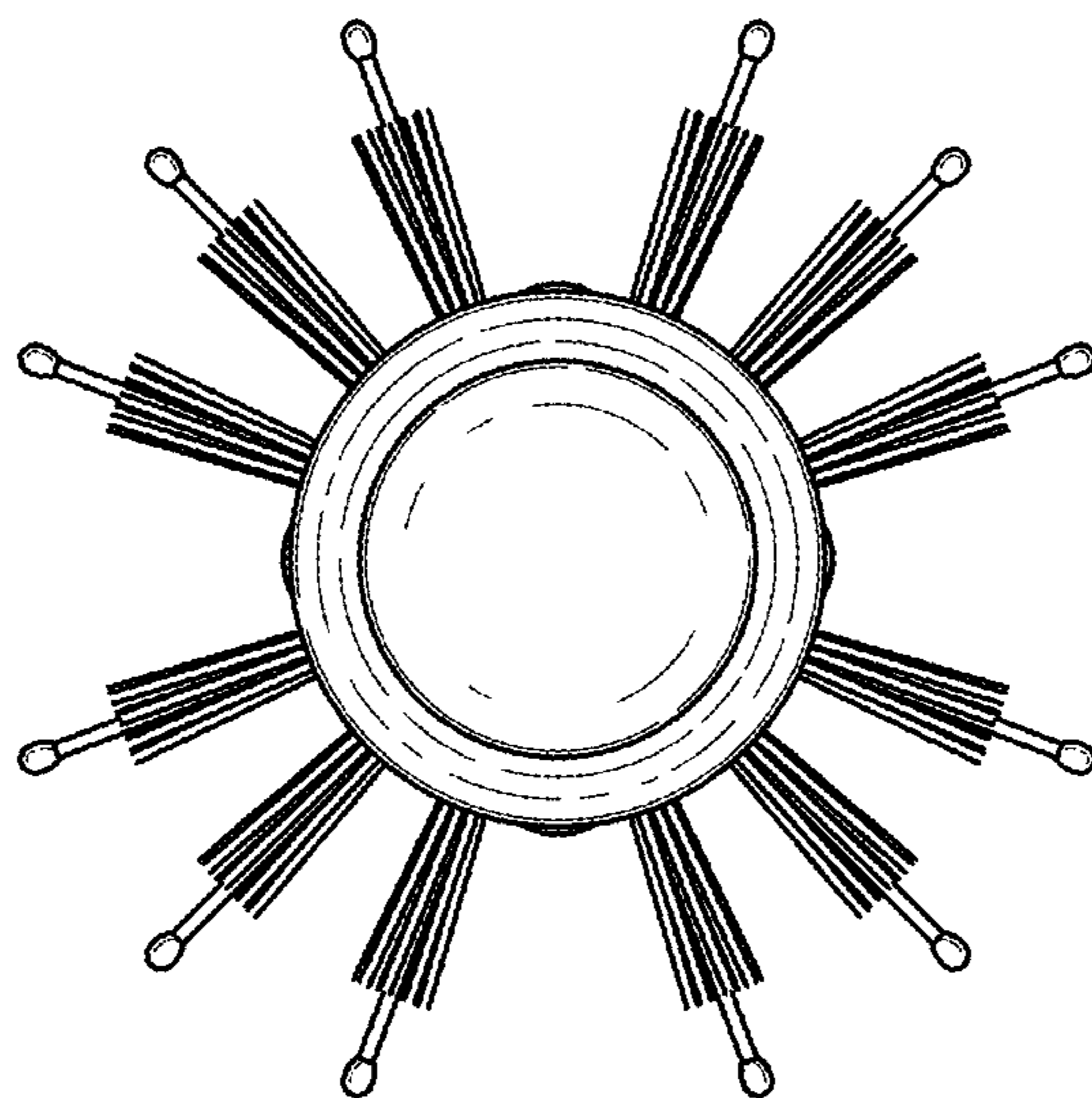


FIG.4