



US00D950961S

(12) **United States Design Patent**  
**Armstead**

(10) **Patent No.:** **US D950,961 S**

(45) **Date of Patent:** **\*\* May 10, 2022**

(54) **HAIR BRUSH**

(71) Applicant: **Kendrick Armstead**, Detroit, MI (US)

(72) Inventor: **Kendrick Armstead**, Detroit, MI (US)

(\*\*) Term: **15 Years**

(21) Appl. No.: **29/709,494**

(22) Filed: **Oct. 15, 2019**

(51) **LOC (13) Cl.** ..... **14-02**

(52) **U.S. Cl.**  
USPC ..... **D4/126; D4/138**

(58) **Field of Classification Search**  
USPC ..... D4/100, 102, 116, 117, 118, 121, 122,  
D4/123, 124, 125, 126, 127, 128, 129,  
D4/130, 132, 133, 134, 135, 136, 138,  
D4/199; D28/7, 10, 13, 15, 18, 24, 25,  
D28/26, 28, 35; D30/158  
CPC ..... A46B 9/06; A46B 9/023; A46B 9/028;  
A46B 5/00; A46B 5/02; A46B 5/0025;  
A46B 15/003; A46B 2200/104; A46B  
15/0087; A46B 15/0089  
See application file for complete search history.

(56) **References Cited**

**U.S. PATENT DOCUMENTS**

D154,890 S *	8/1949	Walker .....	D28/63
D165,514 S *	12/1951	Cosby .....	D4/134
D199,176 S *	9/1964	Seger .....	D4/134
D238,821 S *	2/1976	Romani .....	D28/34
D265,255 S *	6/1982	O'Neil .....	401/140
D271,911 S *	12/1983	Hunt .....	D28/22
D318,955 S *	8/1991	Brown .....	D4/124
D362,119 S *	9/1995	Chan .....	D4/133
D479,048 S *	9/2003	Armstead .....	D4/126
D480,016 S *	9/2003	Plank .....	D11/160

D585,260 S *	1/2009	Smith .....	D8/75
D615,242 S *	5/2010	Rutkowski .....	D28/7
D682,461 S *	5/2013	Partida .....	D26/99
D774,309 S *	12/2016	Brenner .....	D4/107

**OTHER PUBLICATIONS**

“Radical Objects: The Black Fist Afro Comb,” black fist comb pictured therein [online]. Original publication date Feb. 10, 2014. [Retrieved from the Internet Aug. 17, 2021.] <URL: <https://www.historyworkshop.org.uk/radical-objects-the-black-fist-afro-comb/>>.\*  
“The History of the Afro Comb,” black fist comb pictured therein [online]. Original publication date unknown. [Retrieved from the Internet Aug. 17, 2021.] <URL: <http://www.originsoftheafrocomb.co.uk/>>.\*

\* cited by examiner

*Primary Examiner* — Rebekah A Caruso  
(74) *Attorney, Agent, or Firm* — Rocklaw PLLC; Michael T. Fluhler

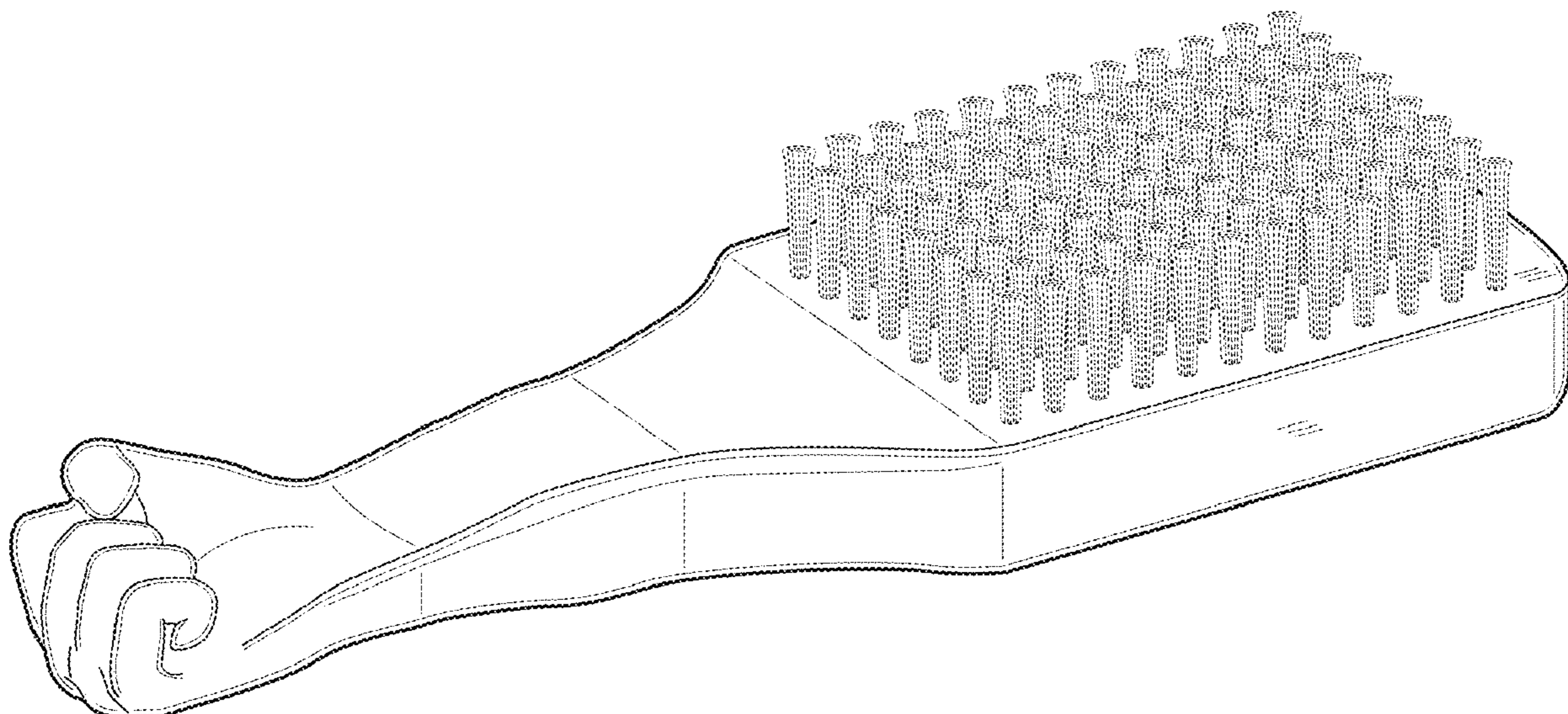
(57) **CLAIM**

The ornamental design for a hair brush, as shown and described.

**DESCRIPTION**

FIG. 1 is a bottom view of a hair brush showing my new design;  
FIG. 2 is a front axial view thereof;  
FIG. 3 is a rear axial view thereof;  
FIG. 4 is a right axial view thereof;  
FIG. 5 is a left axial view thereof; and,  
FIG. 6 is a top perspective view thereof.  
The broken line showing in the accompanying drawings is for the purpose of illustrating environmental features and forms no part of the claimed design.

**1 Claim, 5 Drawing Sheets**



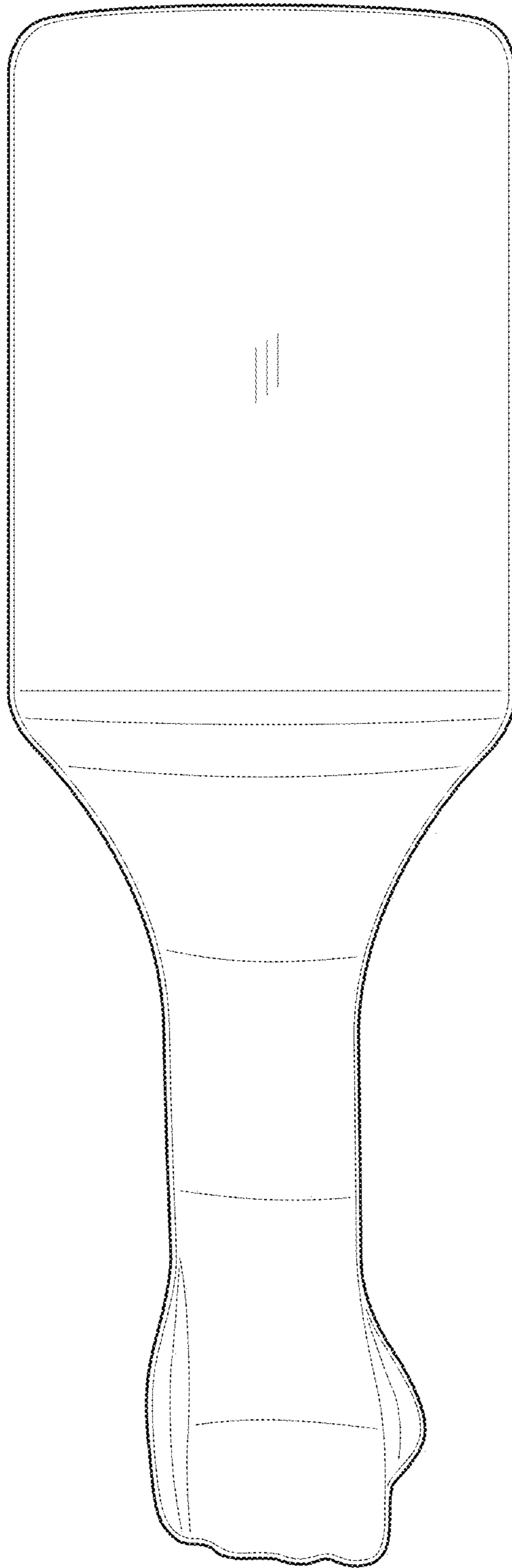


FIG. 1

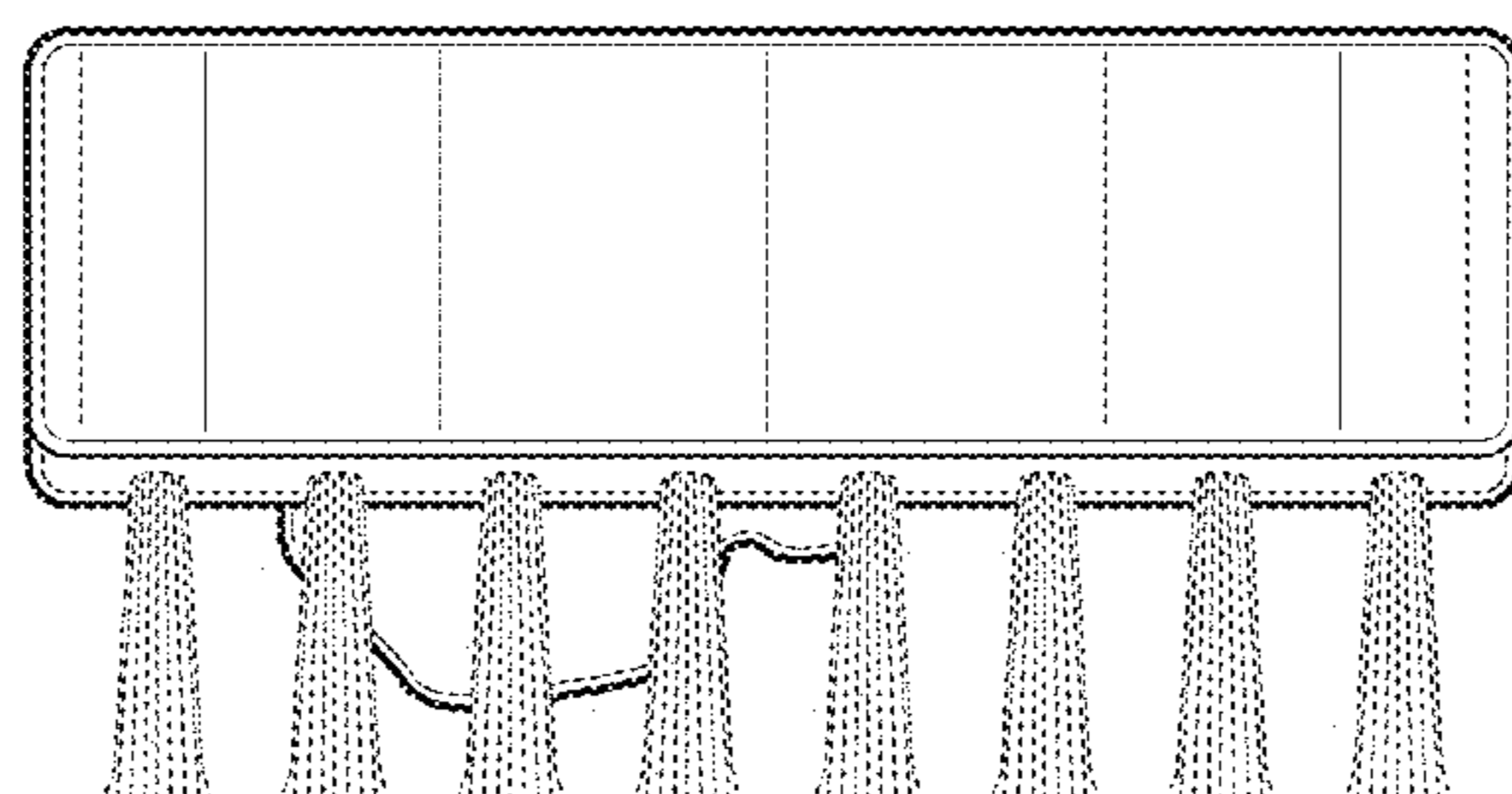


FIG. 2

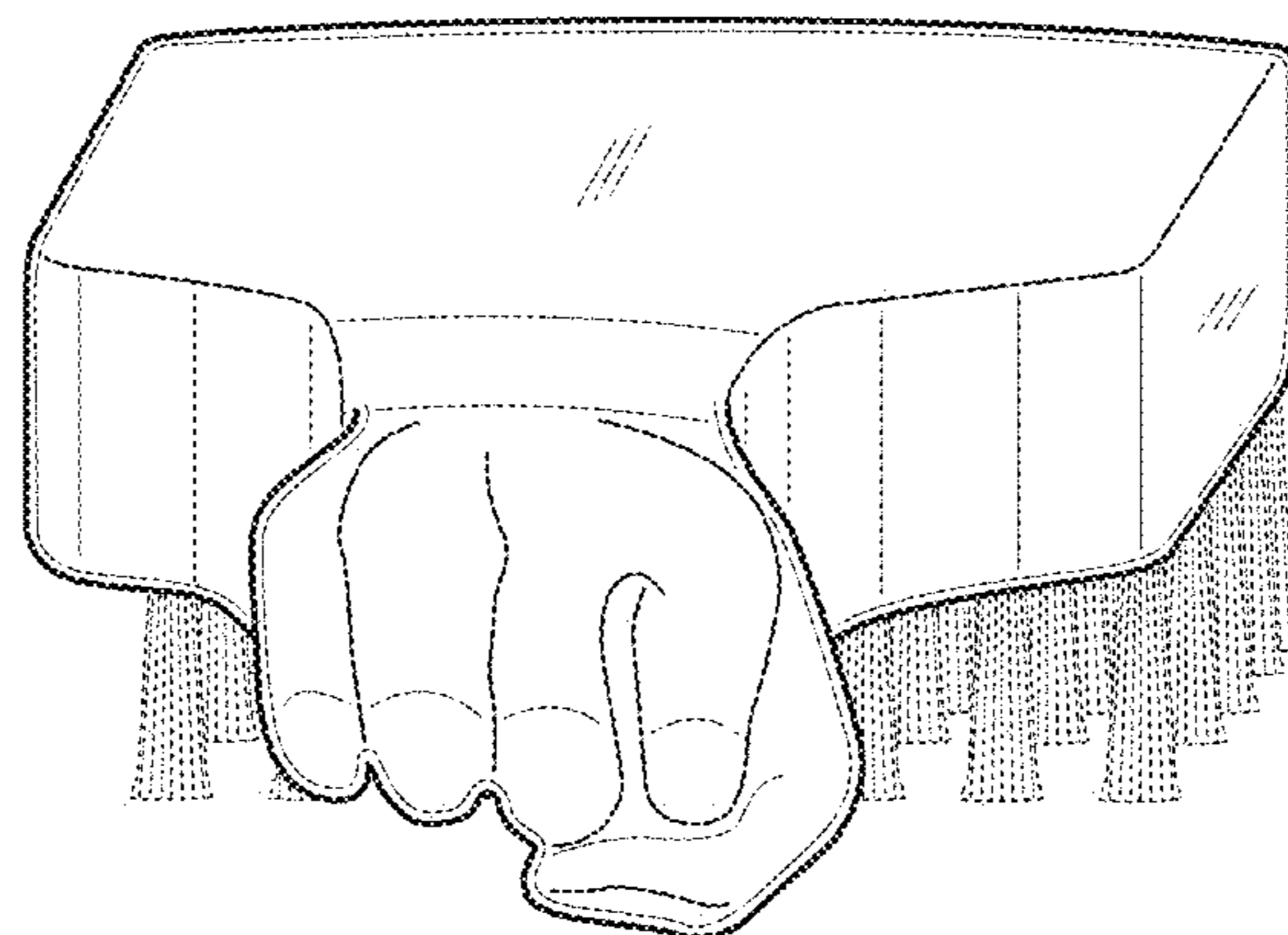


FIG. 3

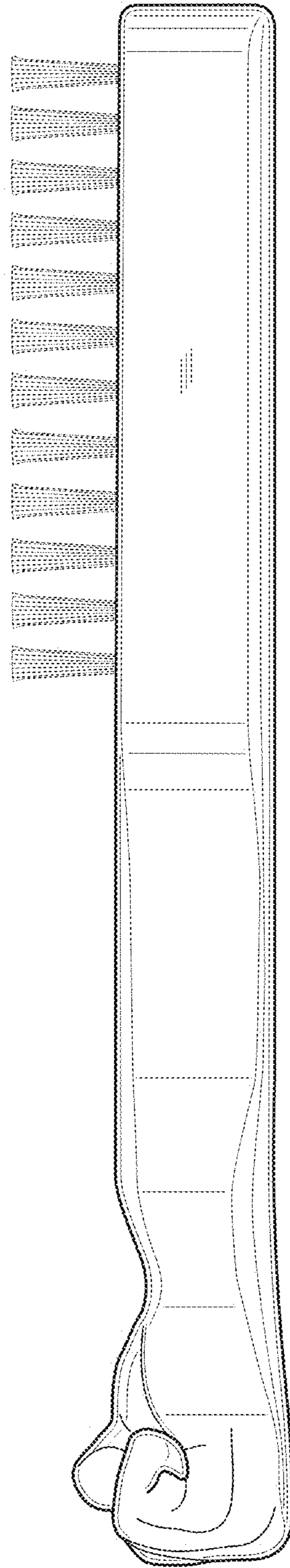


FIG. 4

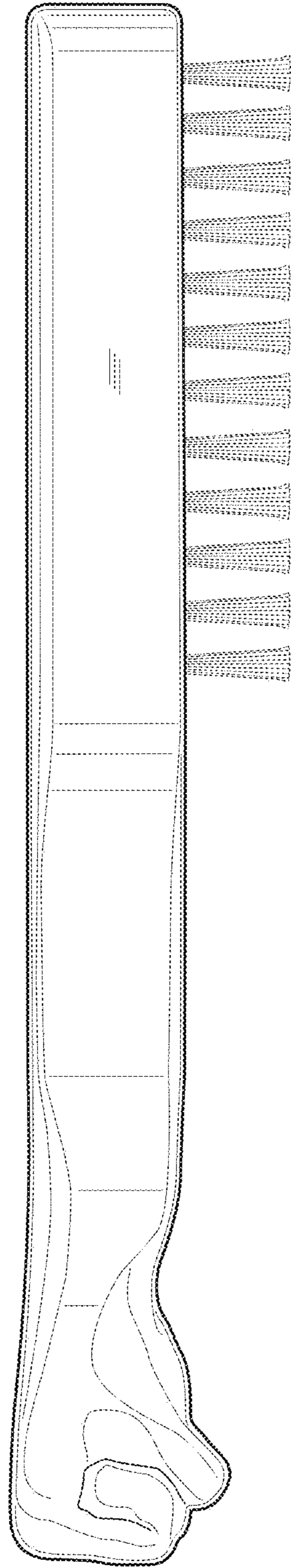


FIG. 5

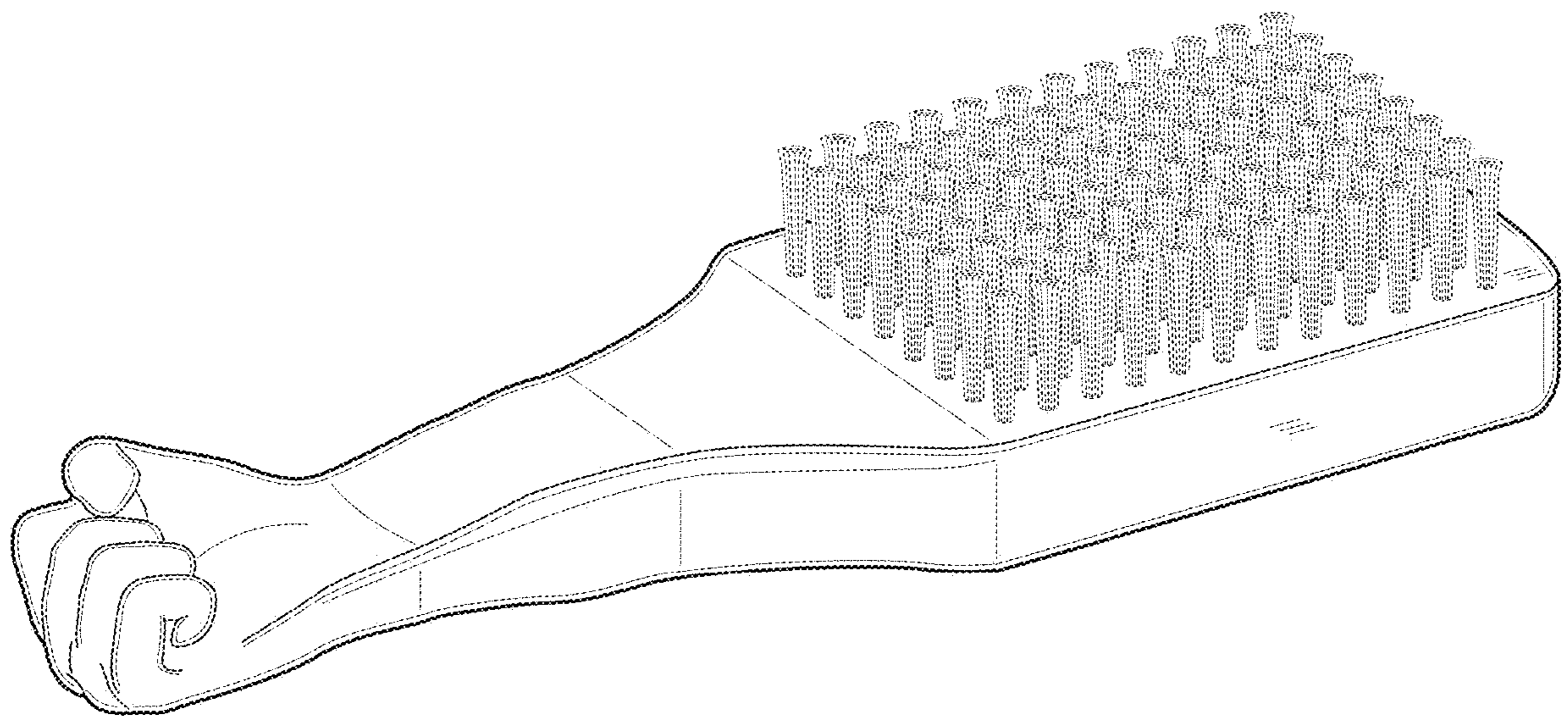


FIG. 6