



US00D950959S

(12) **United States Design Patent** (10) **Patent No.:** **US D950,959 S**  
**Liu** (45) **Date of Patent:** **\*\* May 10, 2022**

(54) **ELECTRIC TOOTHBRUSH HEAD**  
(71) Applicant: **Guangdong Meihong Industrial Technology Co., Ltd.**, Guangdong (CN)  
(72) Inventor: **Yafei Liu**, Guangdong (CN)  
(73) Assignee: **Guangdong Meihong Industrial Technology Co., Ltd.**, Guangdong (CN)

D596,230 S \* 7/2009 Tan ..... D19/166  
D612,611 S \* 3/2010 Brown, Jr. .... D4/111  
D689,698 S \* 9/2013 Dickie ..... D4/111  
D885,060 S \* 5/2020 Orkin ..... D4/101  
D885,061 S 5/2020 Yang  
D887,145 S 6/2020 Hu  
D906,679 S \* 1/2021 Yang ..... D4/101  
D907,369 S \* 1/2021 Yang ..... D4/101  
D935,194 S \* 11/2021 Yang ..... D4/110  
2020/0315758 A1 \* 10/2020 Papazian ..... A46B 13/02

(\*\*) Term: **15 Years**  
(21) Appl. No.: **29/797,105**  
(22) Filed: **Jun. 29, 2021**

**FOREIGN PATENT DOCUMENTS**

GB 9006620076-0007 \* 7/2019

\* cited by examiner

*Primary Examiner* — Karen E Eldridge Powers  
(74) *Attorney, Agent, or Firm* — ScienBiziP, P.C.

(30) **Foreign Application Priority Data**

Mar. 15, 2021 (CN) ..... 202130137769.9

(51) **LOC (13) Cl.** ..... **28-03**  
(52) **U.S. Cl.**  
USPC ..... **D4/101**

(57) **CLAIM**

The ornamental design for an electric toothbrush head, as shown and described.

(58) **Field of Classification Search**  
USPC ..... D4/100, 101, 104, 109, 111, 113;  
D19/917  
CPC ..... A46B 9/04; A46B 2200/1066  
See application file for complete search history.

**DESCRIPTION**

FIG. 1 is a front, right, and top perspective view of an electric toothbrush head, showing my design.  
FIG. 2 is a rear, left, and bottom perspective view thereof.  
FIG. 3 is a front elevation view thereof.  
FIG. 4 is a rear elevation view thereof.  
FIG. 5 is a left side elevation view thereof.  
FIG. 6 is a right side elevation view thereof.  
FIG. 7 is a top plan view thereof; and,  
FIG. 8 is a bottom plan view thereof.

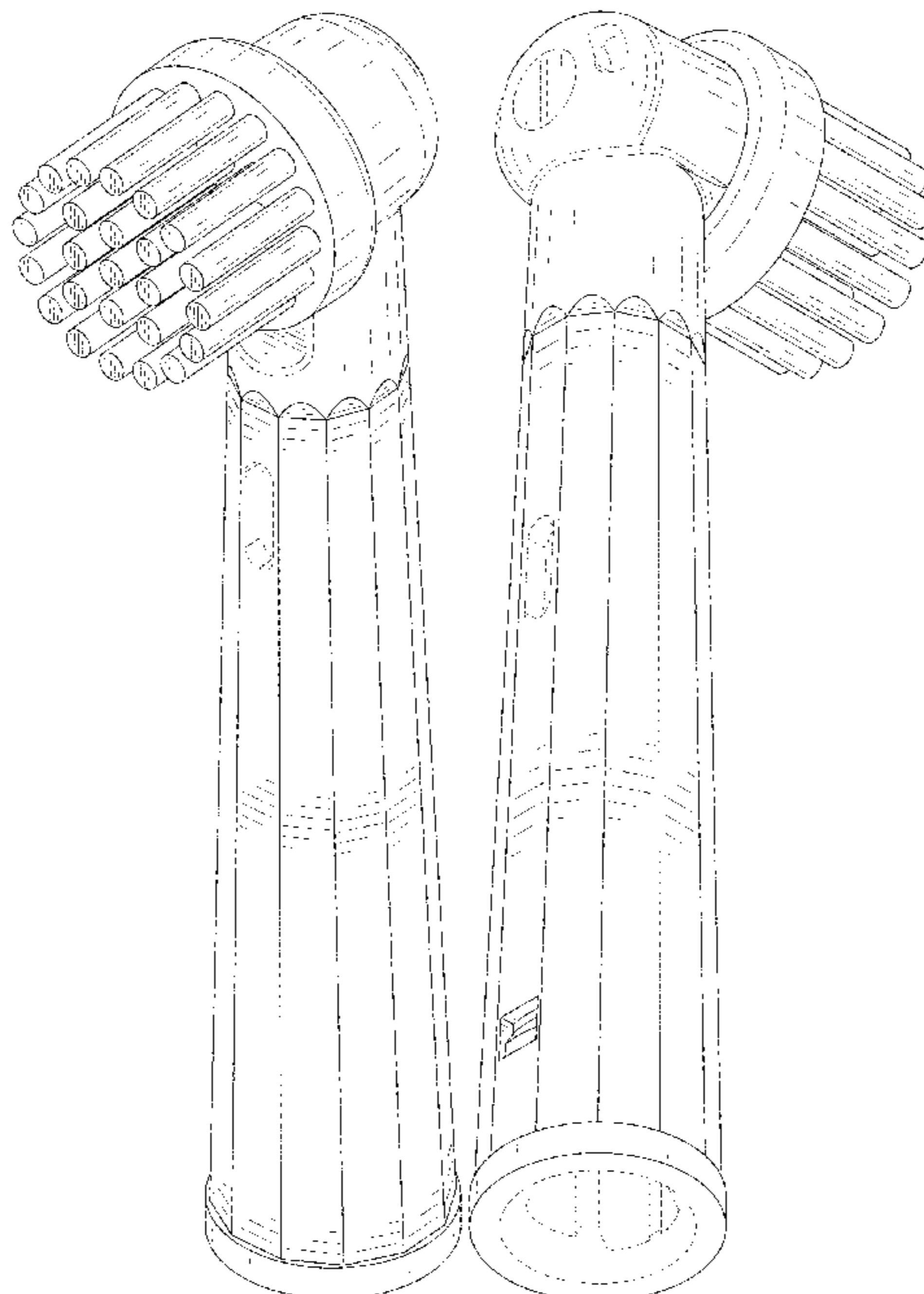
(56) **References Cited**

**U.S. PATENT DOCUMENTS**

D87,524 S \* 8/1932 Kahn ..... D19/912  
D89,815 S \* 5/1933 Tefft ..... D19/163  
D93,807 S \* 11/1934 Back ..... D19/186  
D100,380 S \* 7/1936 Lynn ..... D19/201  
D482,396 S \* 11/2003 De Bon ..... D19/163  
D579,664 S \* 11/2008 Fisher ..... D4/111

The broken lines shown in the drawings are included for the purpose of illustrating portions of the electric toothbrush head that form no part of the claimed design.

**1 Claim, 8 Drawing Sheets**



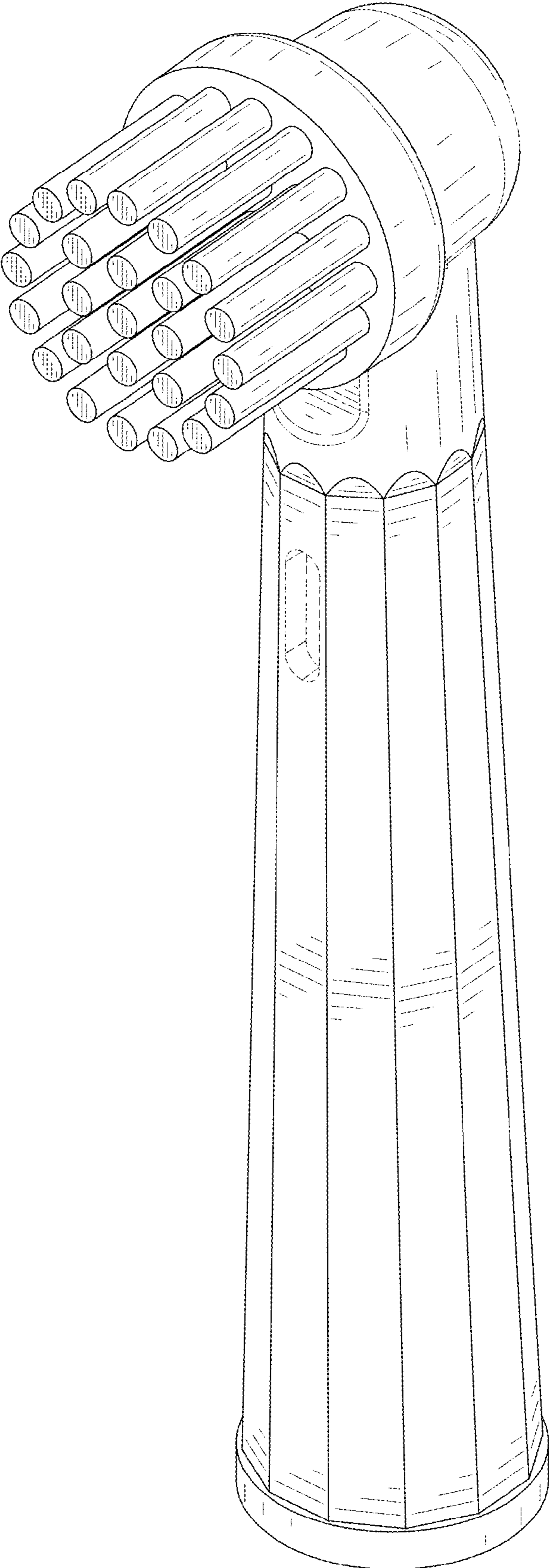


FIG. 1

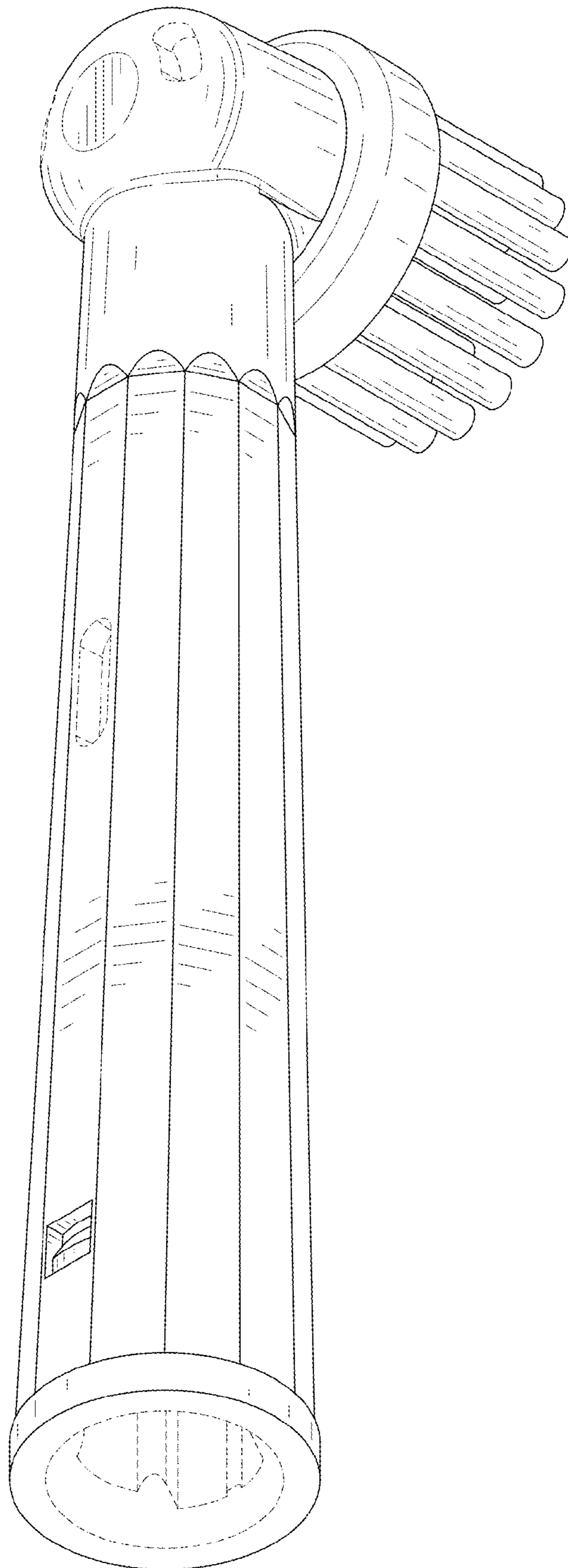


FIG. 2

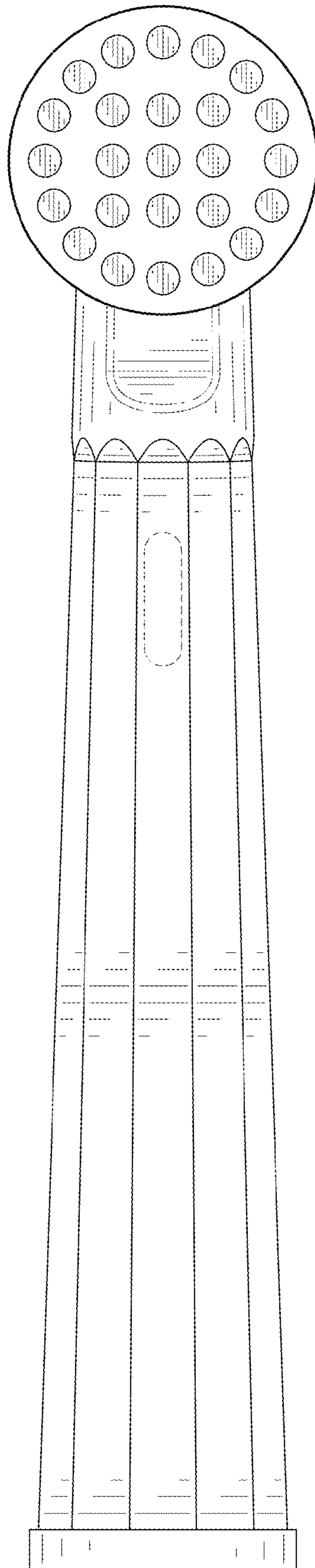


FIG. 3

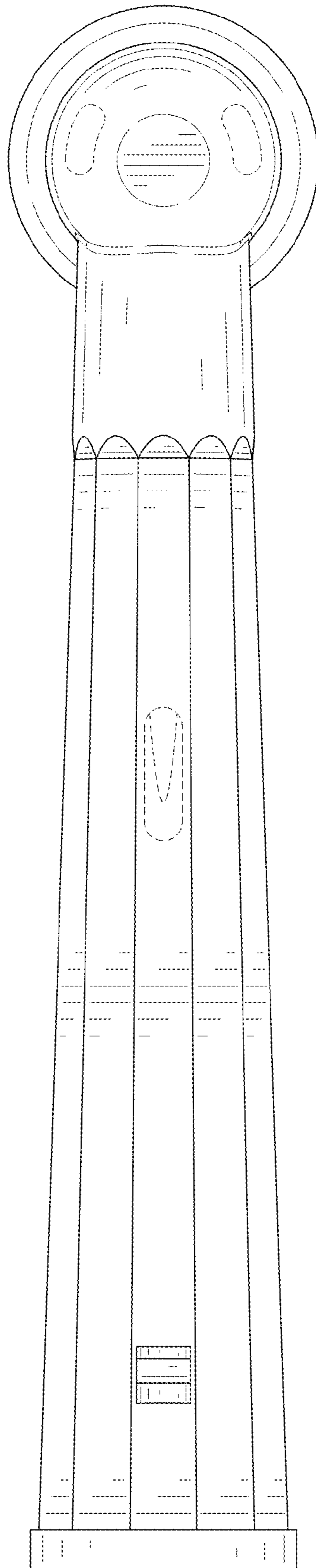


FIG. 4

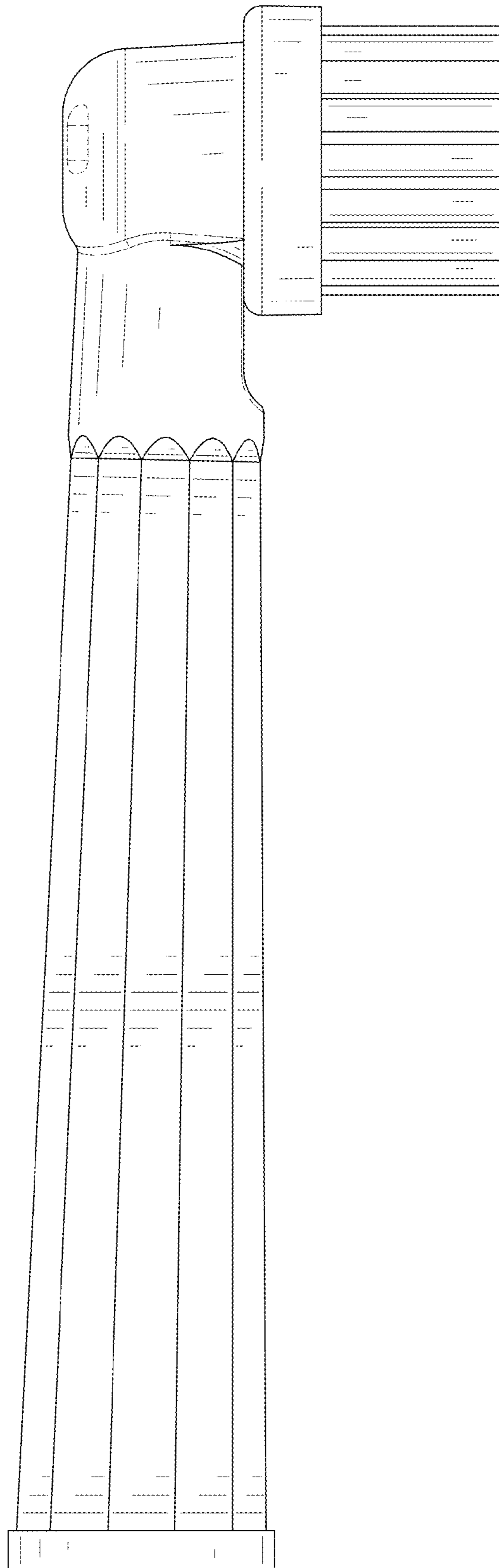


FIG. 5

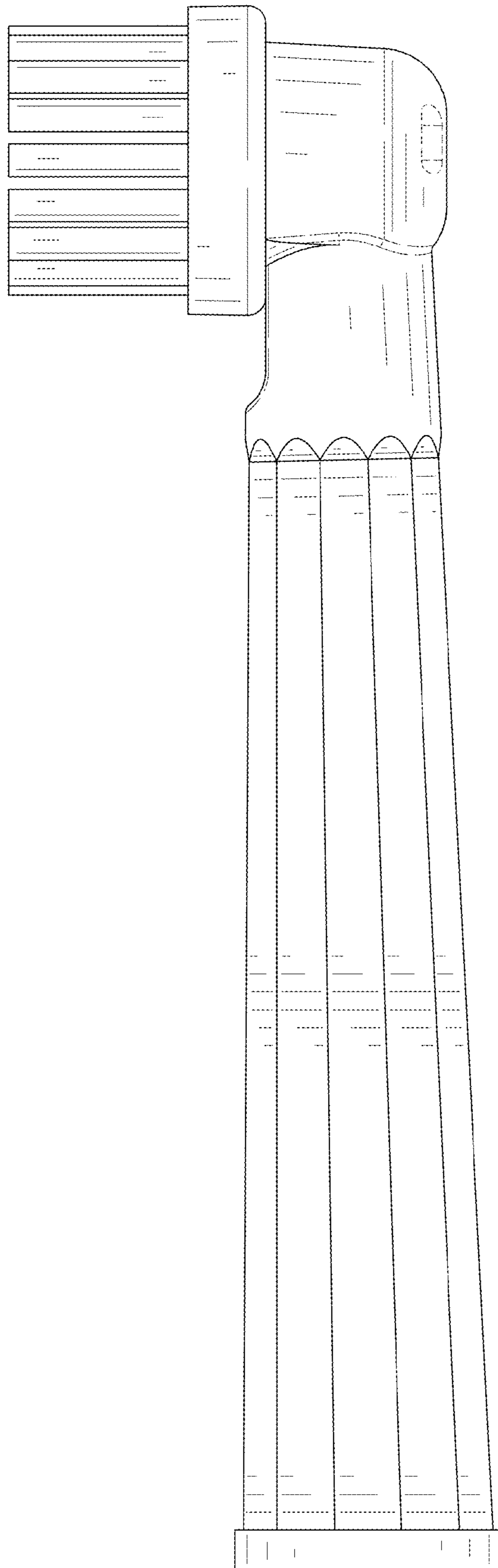


FIG. 6

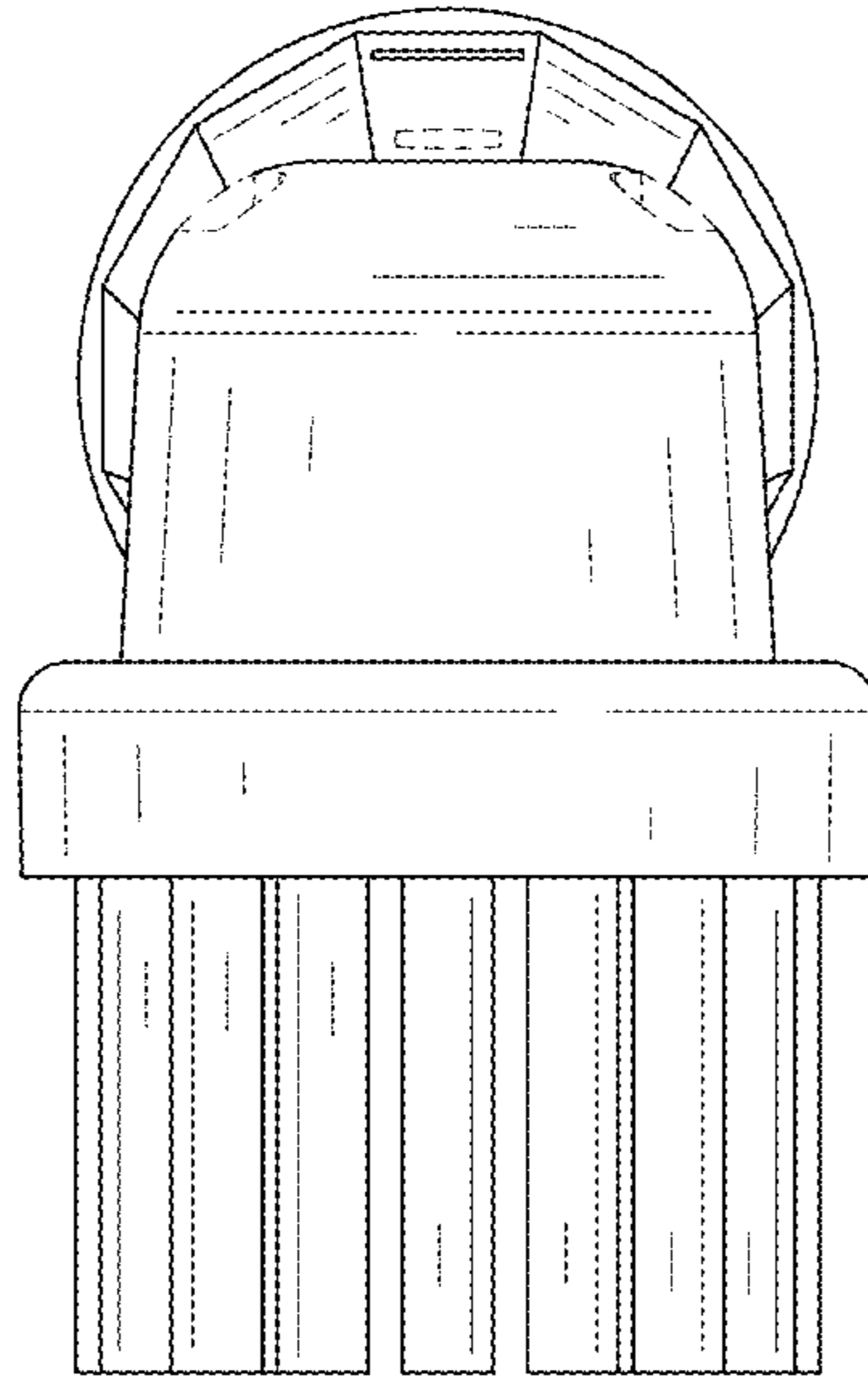


FIG. 7



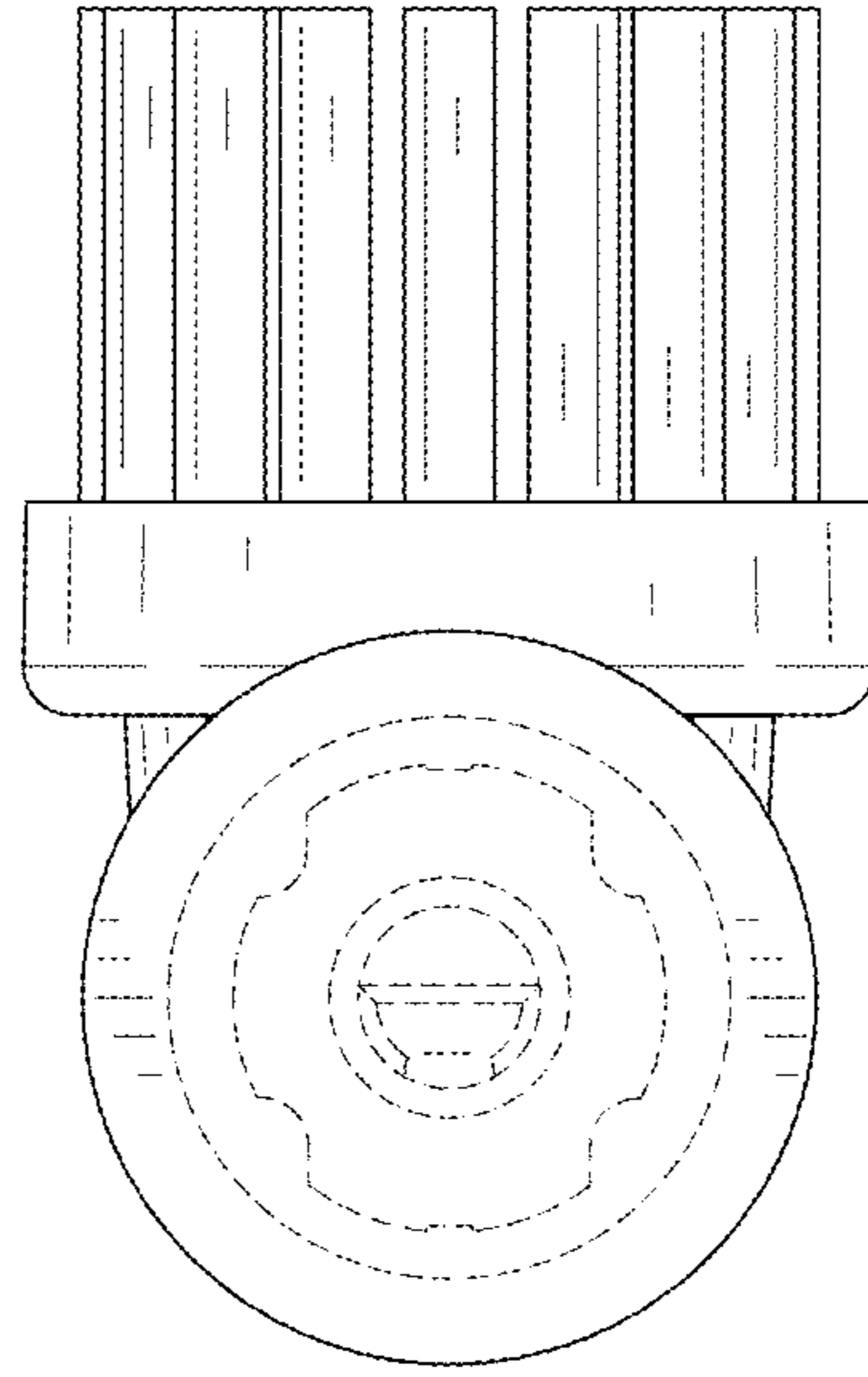


FIG. 8