



US00D950958S

(12) **United States Design Patent** (10) **Patent No.:** **US D950,958 S**
Ji et al. (45) **Date of Patent:** **** May 10, 2022**

(54) **ORAL CARE IMPLEMENT**

7,226,555 B2 6/2007 Weihrauch
D598,198 S 8/2009 Crossman
D632,894 S * 2/2011 Shigeno D4/101
(Continued)

(71) Applicant: **Colgate-Palmolive Company**, New York, NY (US)

(72) Inventors: **Yanmei Ji**, Jiangsu (CN); **Wen Jin Xi**, Shanghai (CN)

FOREIGN PATENT DOCUMENTS

CN 201831194 U 5/2011
CN 202104467 U 1/2012
(Continued)

(73) Assignee: **Colgate-Palmolive Company**, New York, NY (US)

Primary Examiner — Cynthia Ramirez
Assistant Examiner — Tamara L Hahn

(**) Term: **15 Years**

(21) Appl. No.: **29/743,785**

(57) **CLAIM**

The ornamental design for an oral care implement, as shown and described.

(22) Filed: **Jul. 24, 2020**

DESCRIPTION

Related U.S. Application Data

(62) Division of application No. 29/684,593, filed on Mar. 22, 2019, now Pat. No. Des. 895,973.

(51) **LOC (13) Cl.** **04-02**

(52) **U.S. Cl.**
USPC **D4/101**

(58) **Field of Classification Search**
USPC D4/100–138, 199; D24/176, 181
CPC A46B 2200/1066; A46B 2200/1073; A46B 2200/1086; A46B 5/0095; A46B 9/04; A46B 13/023; A61C 17/16; A61C 17/222
See application file for complete search history.

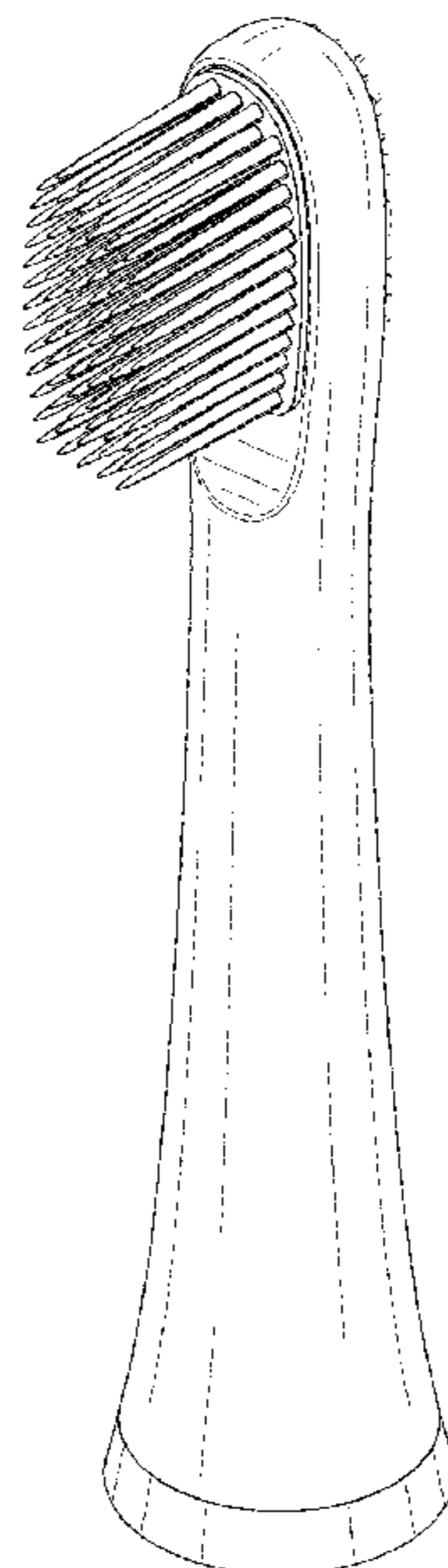
FIG. 1 is a front perspective view of an oral care implement according to a first embodiment of the new design; FIG. 2 is a rear perspective view thereof; FIG. 3 is a front view thereof; FIG. 4 is a rear view thereof; FIG. 5 is a left side view thereof; FIG. 6 is a right side view thereof; FIG. 7 is an enlarged top view thereof; FIG. 8 is an enlarged bottom view thereof; FIG. 9 is a front perspective view of an oral care implement according to a second embodiment of the new design; FIG. 10 is a rear perspective view thereof; FIG. 11 is a front view thereof; FIG. 12 is a rear view thereof; FIG. 13 is a left side view thereof; FIG. 14 is a right side view thereof; FIG. 15 is an enlarged top view thereof; and, FIG. 16 is an enlarged bottom view thereof. The broken lines in the drawings illustrate portions of the oral care implement that form no part of the claimed design.

(56) **References Cited**

U.S. PATENT DOCUMENTS

2,004,633 A 6/1935 Miller
2,224,788 A 12/1940 Jobst
4,382,309 A 5/1983 Collis
4,570,282 A 2/1986 Kaufman
D313,317 S * 1/1991 Brunner D4/103
5,065,470 A 11/1991 Diamond
D405,272 S 2/1999 Khalaj et al.

1 Claim, 8 Drawing Sheets



(56)

References Cited

U.S. PATENT DOCUMENTS

8,234,741	B2	8/2012	Boyd et al.	
9,210,995	B2	12/2015	Su et al.	
D787,674	S *	5/2017	Sosa	D24/147
10,016,053	B2	7/2018	Hohlbein	
10,136,723	B2	11/2018	Moskovich	
D851,938	S	6/2019	Bloch et al.	
D895,973	S *	9/2020	Ji	D4/101
D925,231	S *	7/2021	Gan	D4/104
2017/0215567	A1	8/2017	Waguespack	
2018/0289143	A1	10/2018	Jimenez et al.	
2019/0014897	A1	1/2019	Jimenez et al.	
2019/0090623	A1	3/2019	Gorich et al.	
2020/0077781	A1	3/2020	Wagstaff	
2020/0275768	A1*	9/2020	Xi	A46B 3/005
2021/0052062	A1*	2/2021	Baker	A46B 5/04

FOREIGN PATENT DOCUMENTS

CN	103200840	A	7/2013
CN	303781887		8/2016
CN	304627051		5/2018
EP	1299017		4/2003
JP	D1610138		7/2018
KR	3007328830000		3/2014
KR	3007329310000		3/2014
KR	3007329350000		3/2014
TW	D182856		5/2017
WO	2010/062009		6/2010
WO	2017/076839		5/2017

* cited by examiner

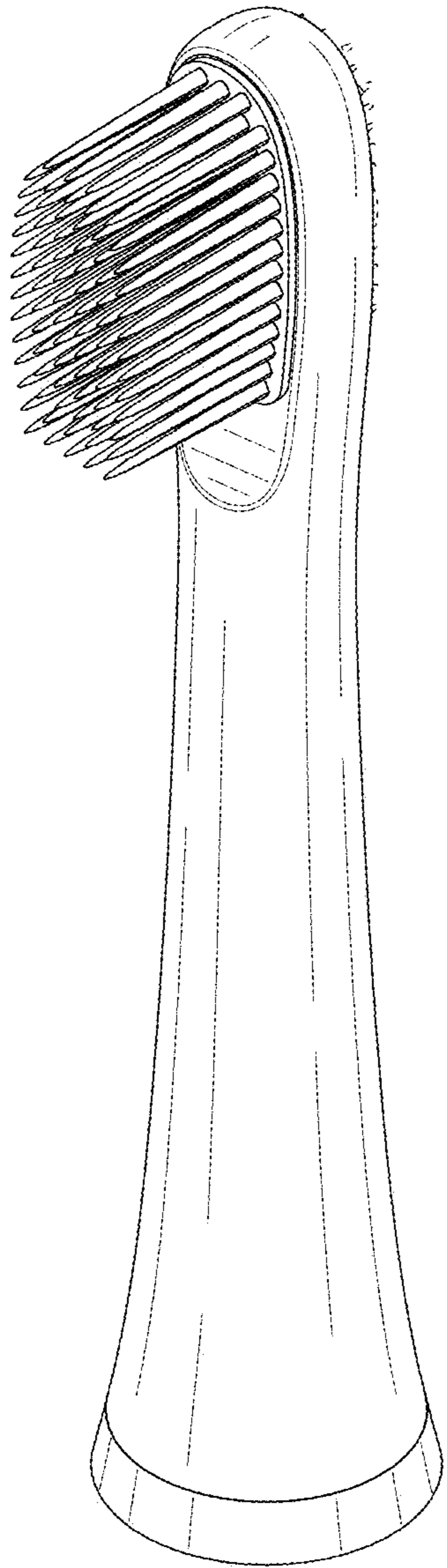


FIG. 1

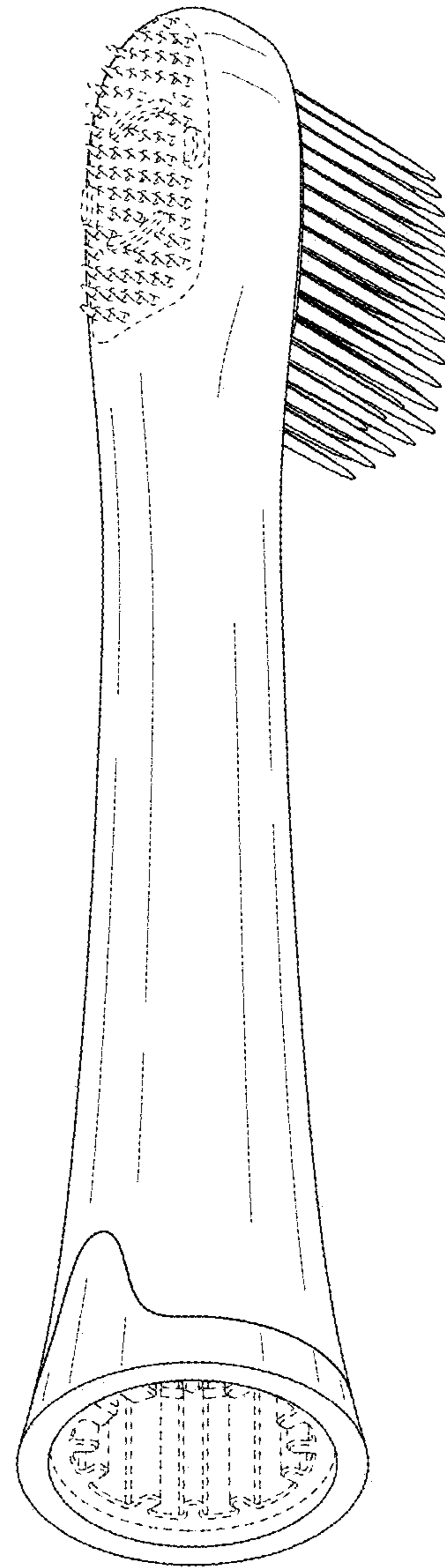


FIG. 2

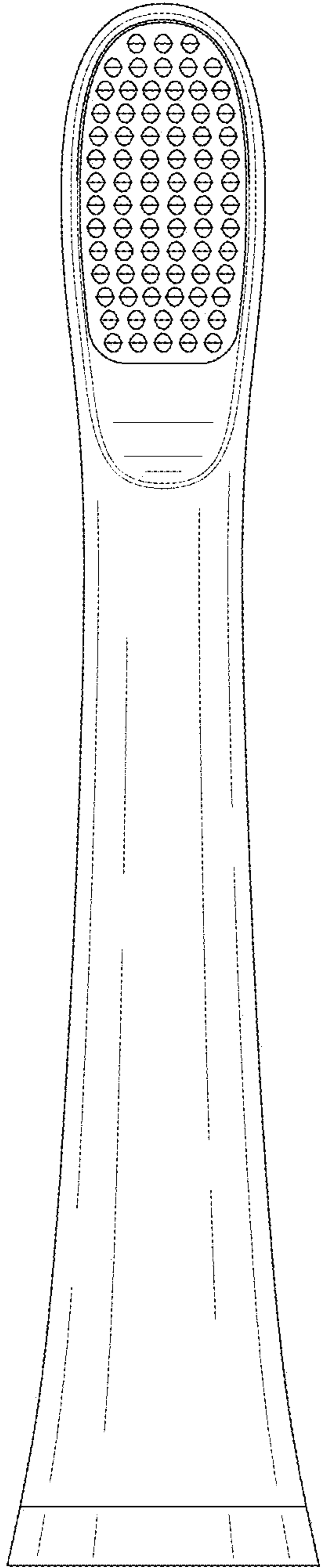


FIG. 3

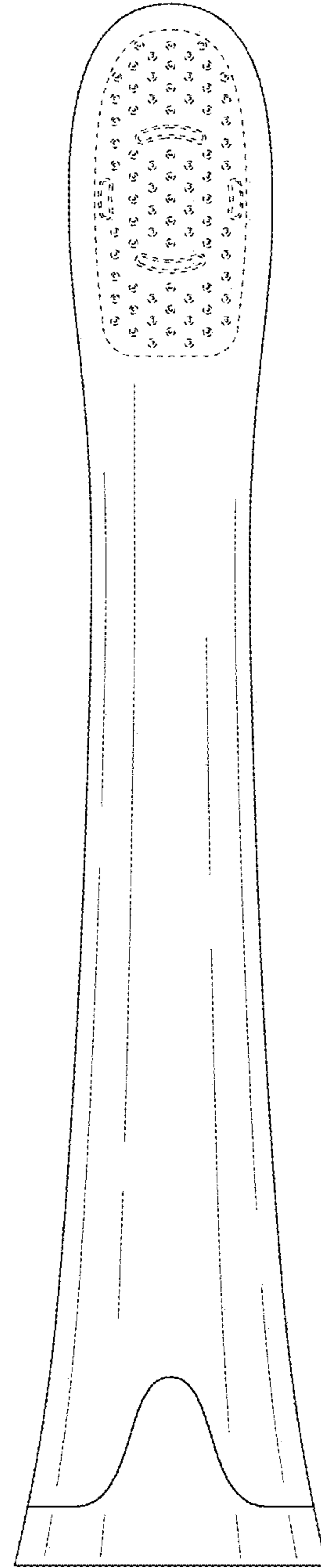


FIG. 4

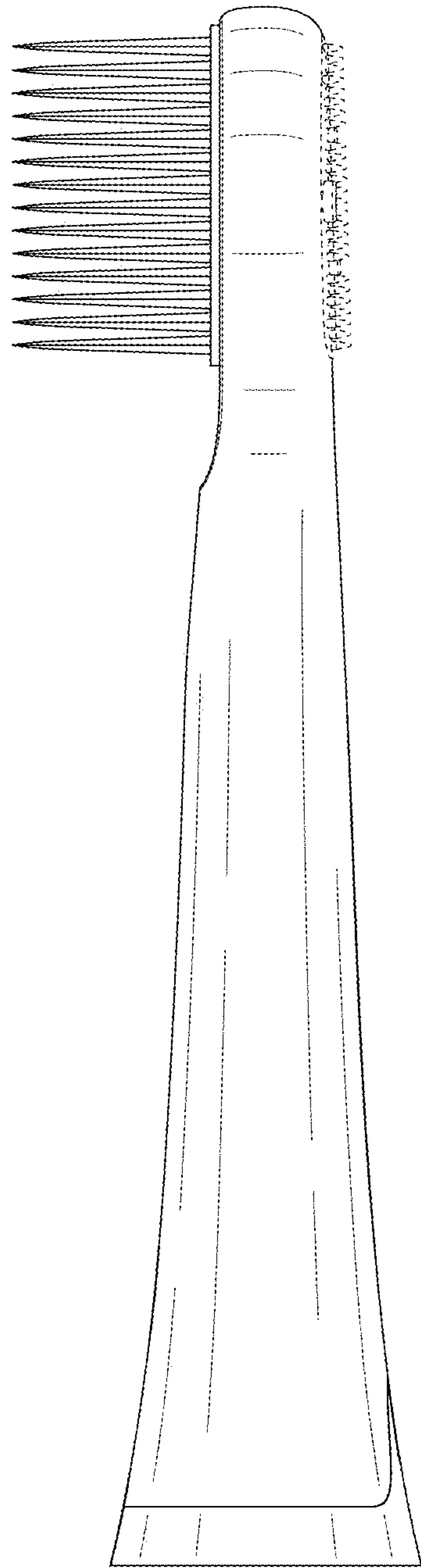


FIG. 5

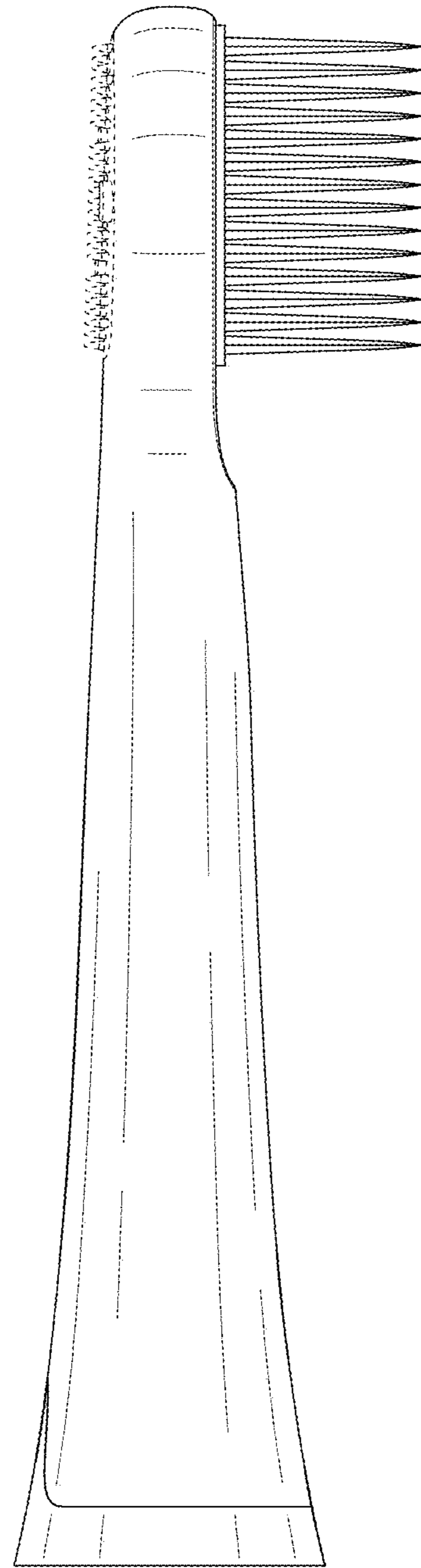


FIG. 6

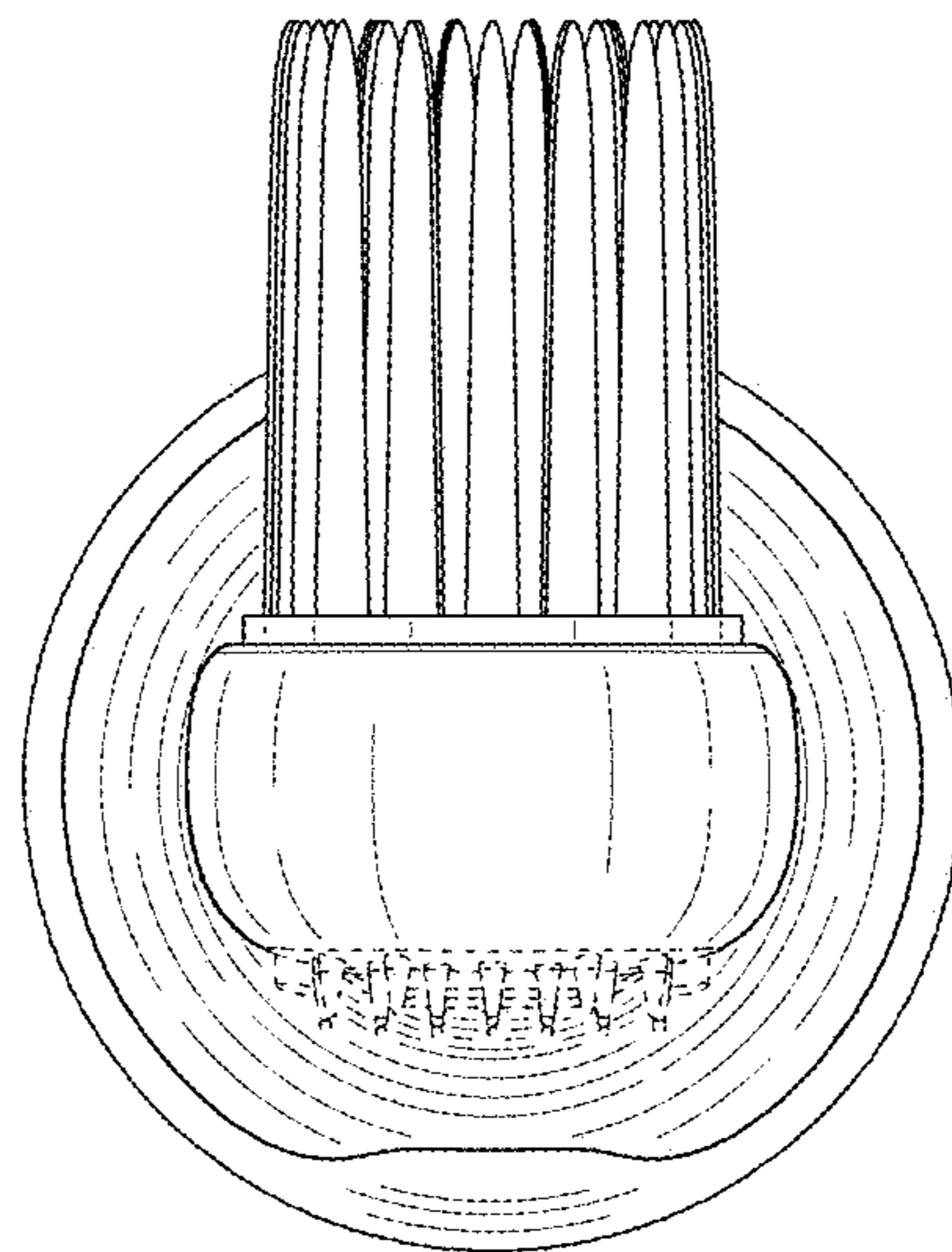


FIG. 7

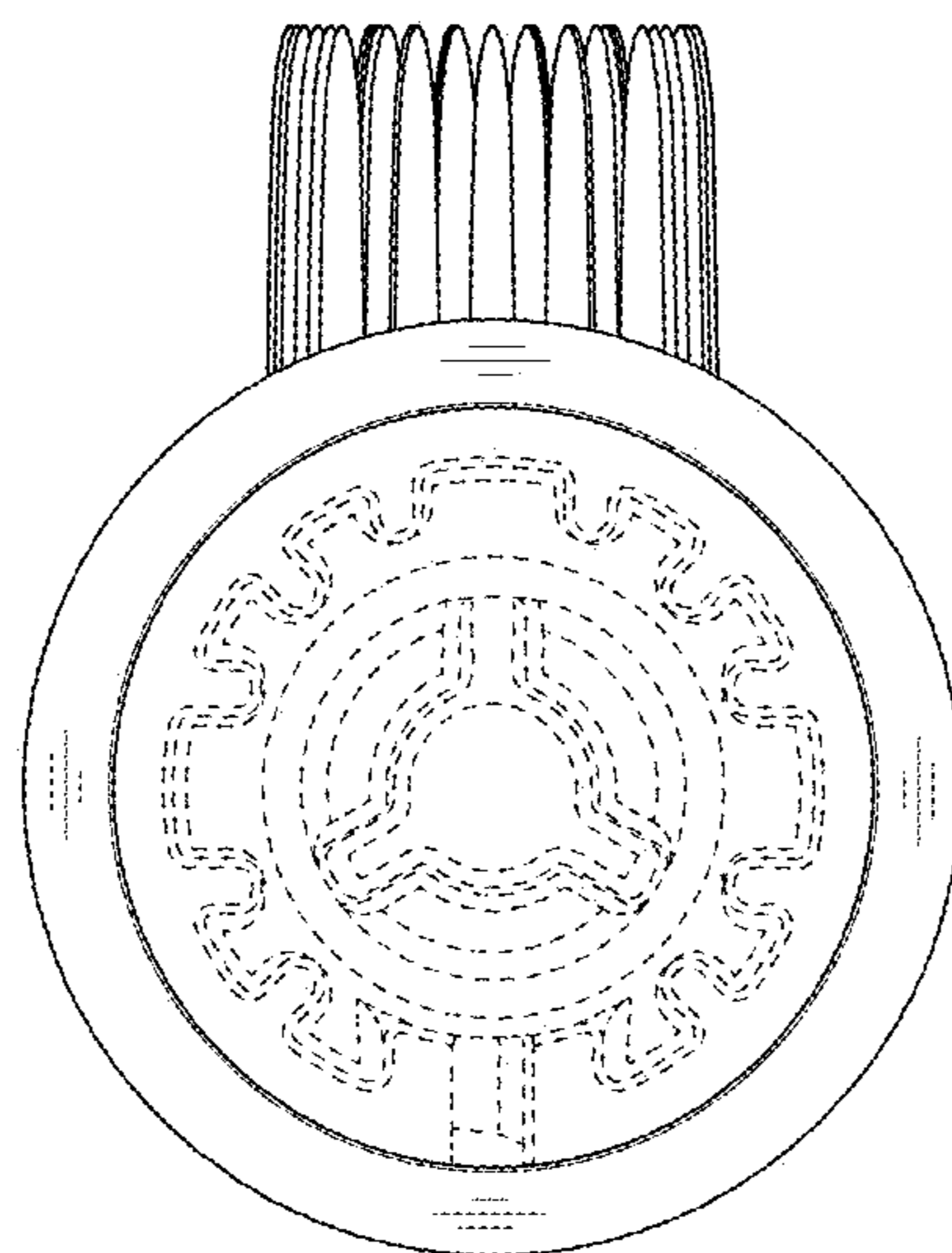


FIG. 8

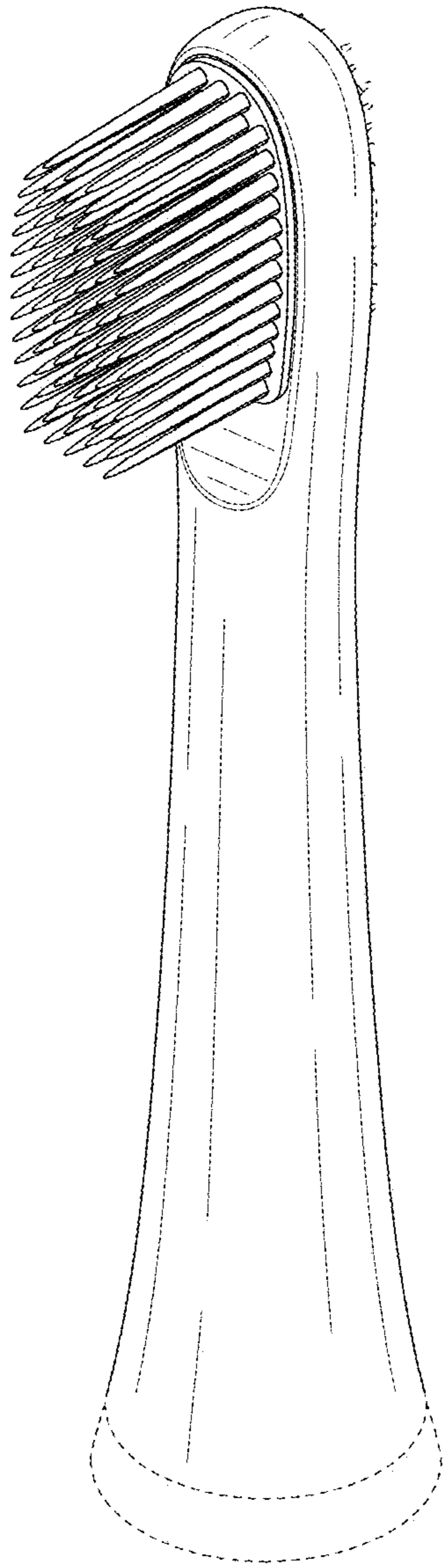


FIG. 9

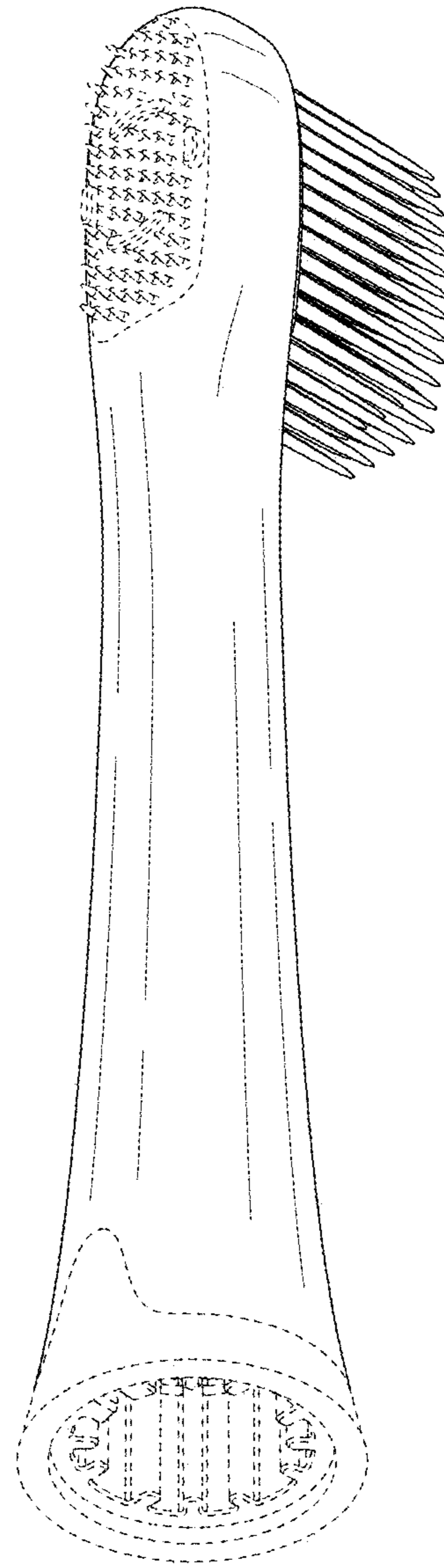


FIG. 10

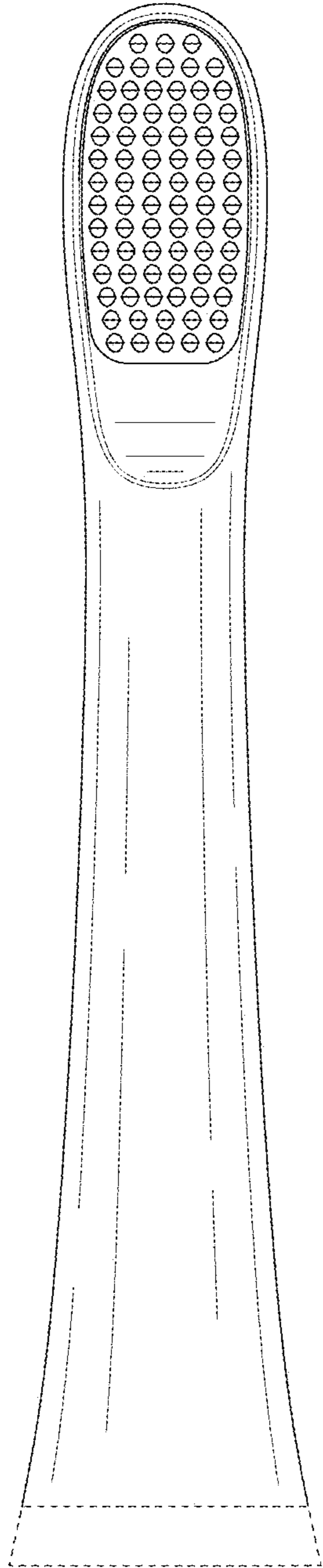


FIG. 11

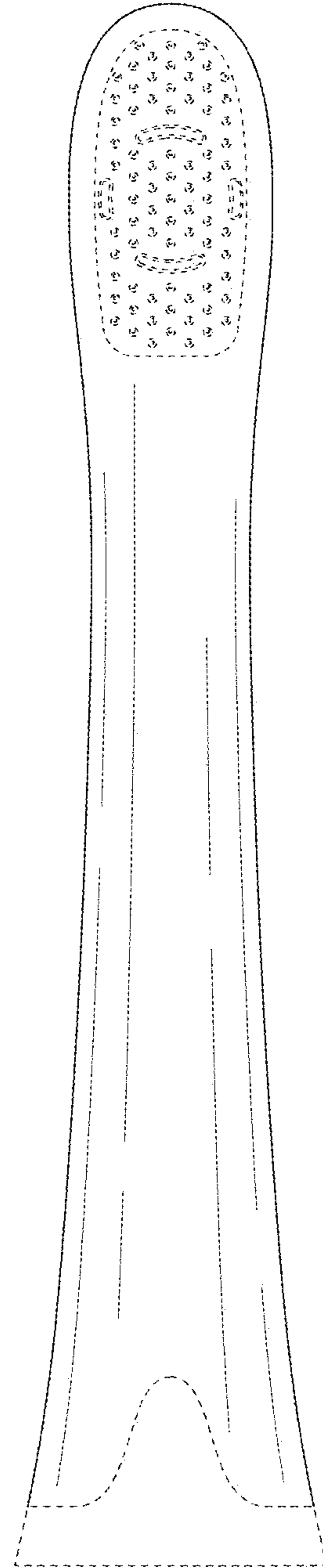


FIG. 12

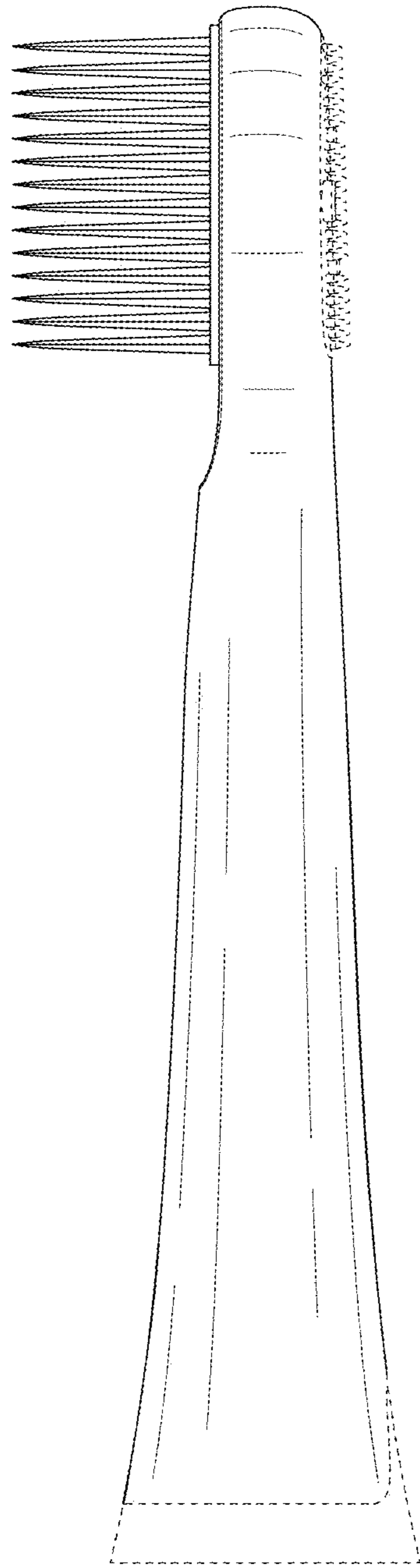


FIG. 13

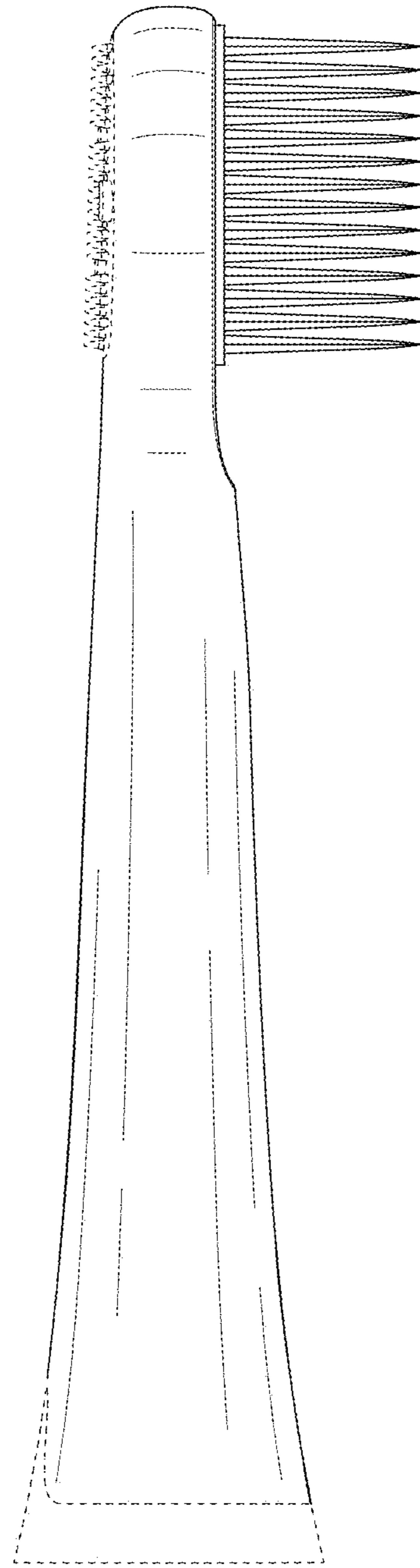


FIG. 14

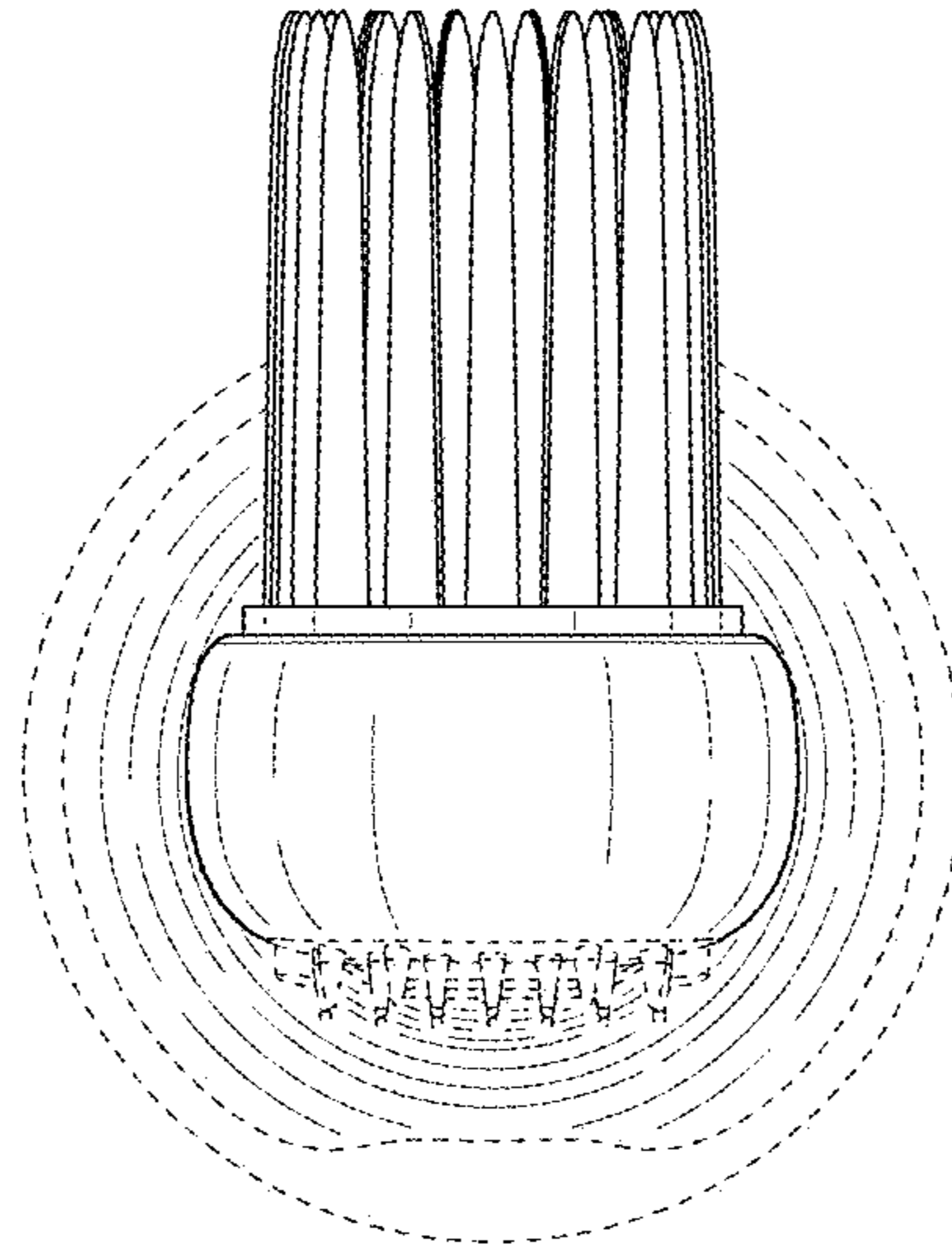


FIG. 15

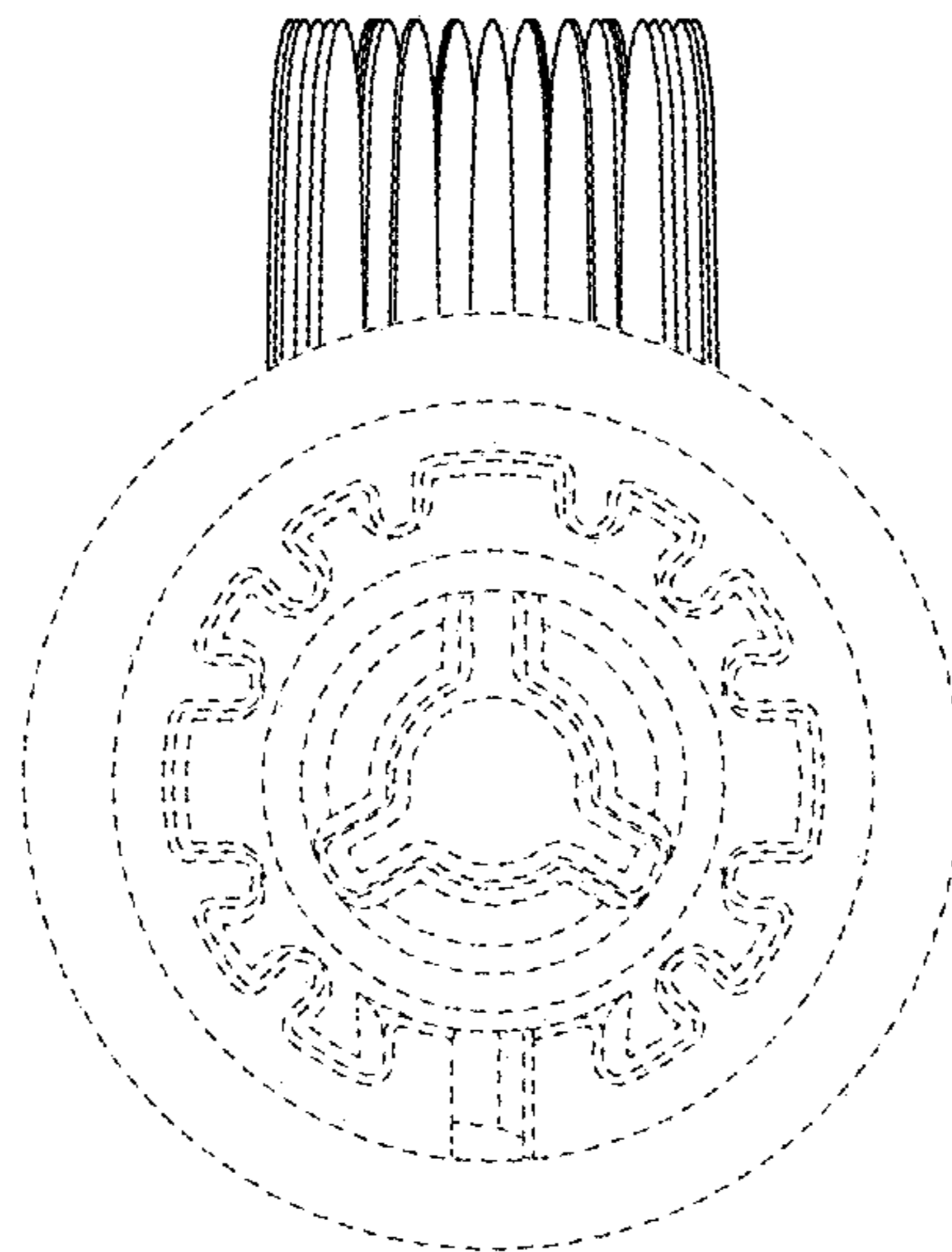


FIG. 16