



US00D950952S

(12) **United States Design Patent** (10) **Patent No.:** **US D950,952 S**
Kennedy, III et al. (45) **Date of Patent:** **** May 10, 2022**

(54) **PILL COUNTER TRAY** 4,261,683 A * 4/1981 Zaleon A61J 7/02
220/555
(71) Applicants: **Andrew J Kennedy, III**, Smyrna, DE D298,968 S * 12/1988 McAllister D15/140
(US); **Tonia G Kennedy**, Smyrna, DE D341,298 S * 11/1993 Ancona D7/553.3
(US) D342,572 S * 12/1993 Lapsker D24/227
5,433,256 A * 7/1995 Vasers B65B 39/007
141/332
(72) Inventors: **Andrew J Kennedy, III**, Smyrna, DE D382,402 S * 8/1997 Pawuk D3/304
(US); **Tonia G Kennedy**, Smyrna, DE
(US)
(Continued)

FOREIGN PATENT DOCUMENTS

CA 56455 * 6/1986
CA 58220 * 2/1987

(**) Term: **15 Years**
(21) Appl. No.: **29/738,892**

OTHER PUBLICATIONS

Pill Counting Tray, Ambidextrous, unknown first available date, pharmasystems.com [online], [site visited Sep. 2, 2021]. Available at internet URL: https://www.pharmasystems.com/index.php?route=product/product&product_id=190 (Year: 2021).*

(22) Filed: **Jun. 20, 2020**
(51) **LOC (13) Cl.** **03-01**
(52) **U.S. Cl.**
USPC **D3/304**; D24/227
(58) **Field of Classification Search**
USPC D3/201, 203.1–203.8, 206, 273–274,
D3/294–298, 304, 313–314, 901, 903;
D7/589; D9/730, 732, 737, 756,
D9/759–760; D21/369, 372–373,
D21/392–397; D28/73, 227–230;
D24/227, 229
CPC A61J 1/00; A61J 1/03; A61J 7/00; A61J
7/02; A61J 7/04; A61J 7/0481; A61J
7/0084; B65B 1/04; B65D 1/00; B65D
1/36; B65D 83/04; B65D 83/0445; B65D
83/0481; B65D 43/16; B65D 43/161;
B65D 43/162; B65D 2583/04; A63F 9/04;
A63F 11/00; A63F 2003/00772–00791;
A63F 2003/00943; F21V 33/00
See application file for complete search history.

(Continued)

Primary Examiner — Jeffrey D Asch
Assistant Examiner — Caitlin A Laverty
(74) *Attorney, Agent, or Firm* — Gulf Coast Intellectual Property Group

(57) **CLAIM**

The ornamental design for a pill counter tray, as shown and described.

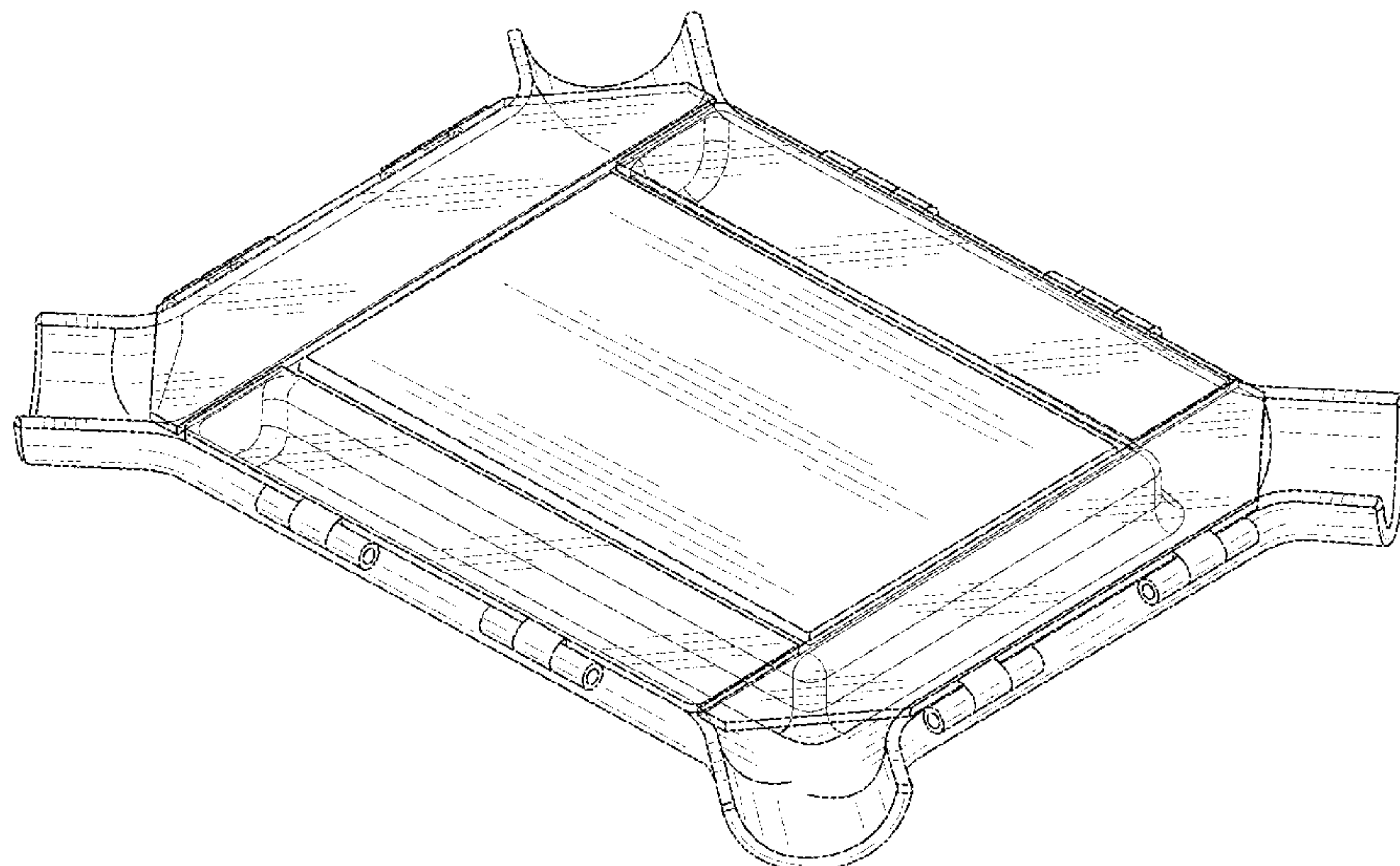
DESCRIPTION

FIG. 1 is a perspective view of the pill counter tray of present invention; and
FIG. 2 is a top view thereof;
FIG. 3 is a bottom view thereof;
FIG. 4 is a front plan view thereof;
FIG. 5 is rear plan view thereof;
FIG. 6 is a left end view thereof; and,
FIG. 7 is a right end view thereof.

(56) **References Cited**
U.S. PATENT DOCUMENTS

2,530,009 A * 11/1950 Fields A61J 7/02
222/129
2,704,974 A * 3/1955 Steman A47G 23/06
99/422

1 Claim, 5 Drawing Sheets



(56)

References Cited

U.S. PATENT DOCUMENTS

6,196,426 B1 * 3/2001 White A61J 7/02
222/462
D519,278 S * 4/2006 Boerma D3/304
D646,796 S * 10/2011 Walter D24/227
8,770,400 B2 * 7/2014 Connellan A61J 7/02
206/223
D799,826 S * 10/2017 DeVita A61J 7/02
D3/304
D808,171 S * 1/2018 Trost D3/304
10,238,578 B2 * 3/2019 Chessa A61J 7/02
D889,126 S * 7/2020 Staiano D3/304
10,864,142 B2 * 12/2020 Spector B65D 83/04
2009/0285663 A1 * 11/2009 Chemel A61J 7/02
414/675
2014/0263389 A1 * 9/2014 Perozek A61J 7/02
221/1
2018/0125760 A1 * 5/2018 Chessa G01G 19/00

OTHER PUBLICATIONS

VIVID Pharmacy Pill and Tablet Counters, unknown first available date, pillcounters.com [online], [site visited Sep. 2, 2021], Available at internet URL: <https://pillcounters.com/> (Year: 2021).*

* cited by examiner

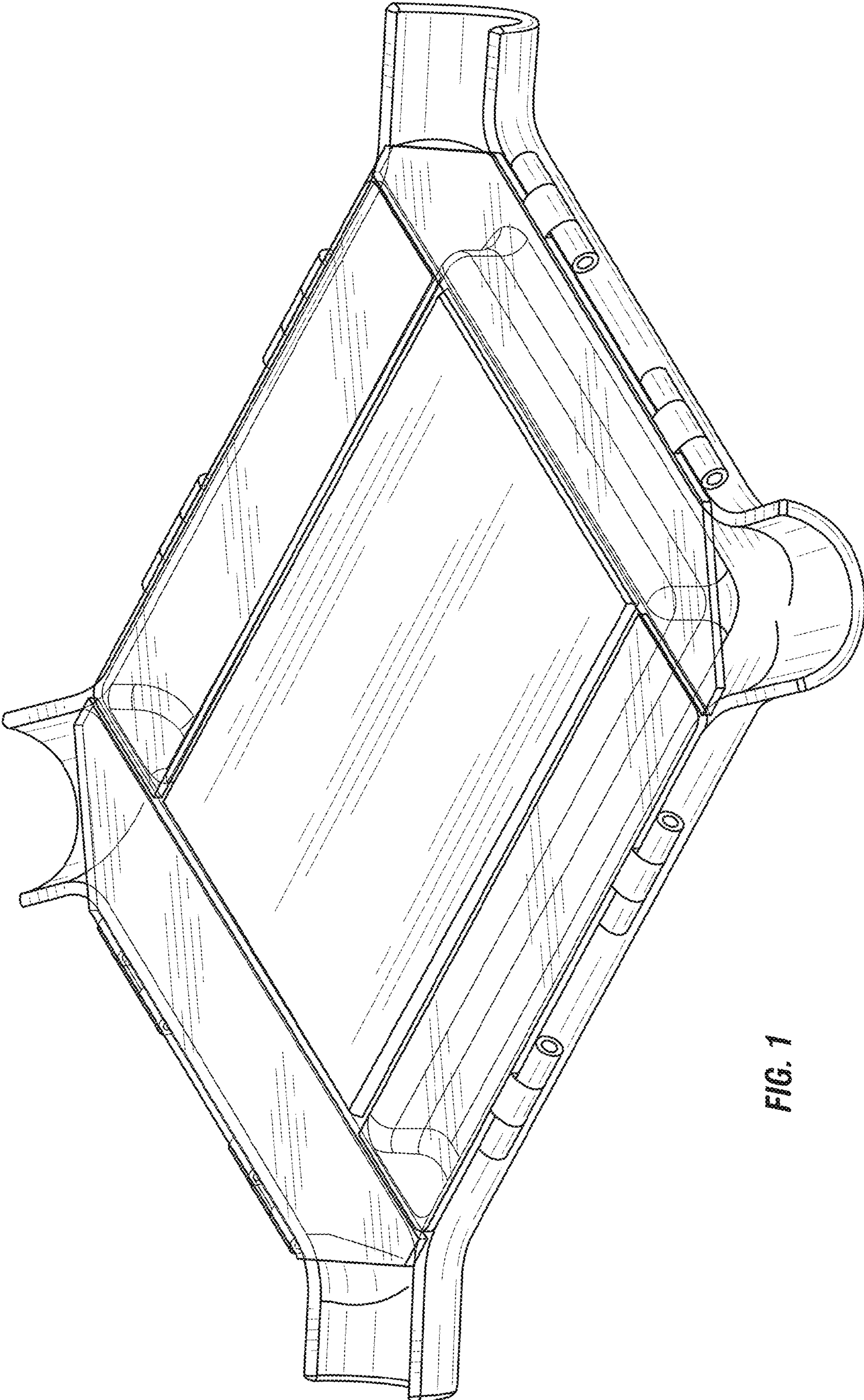


FIG. 1

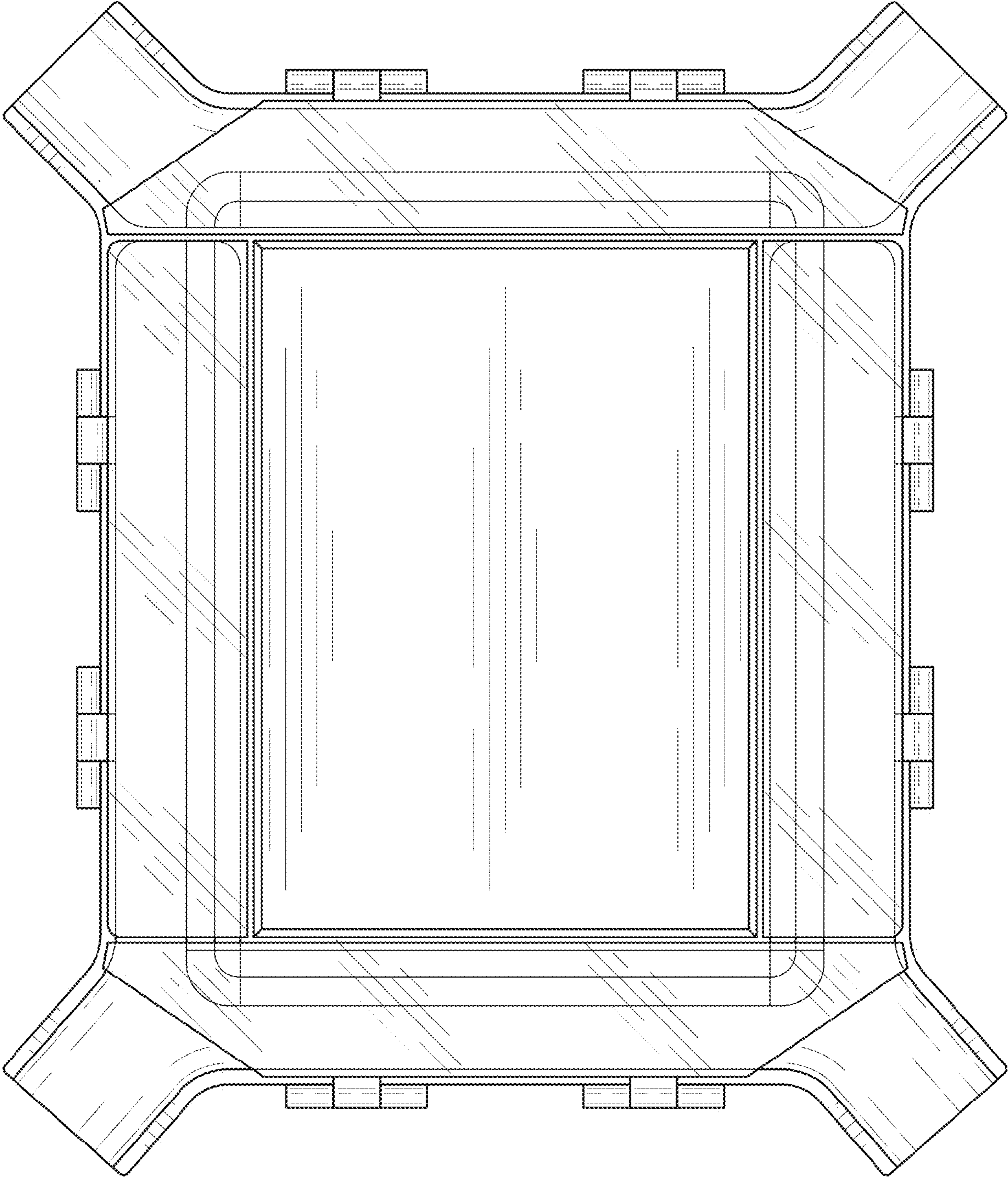


FIG. 2

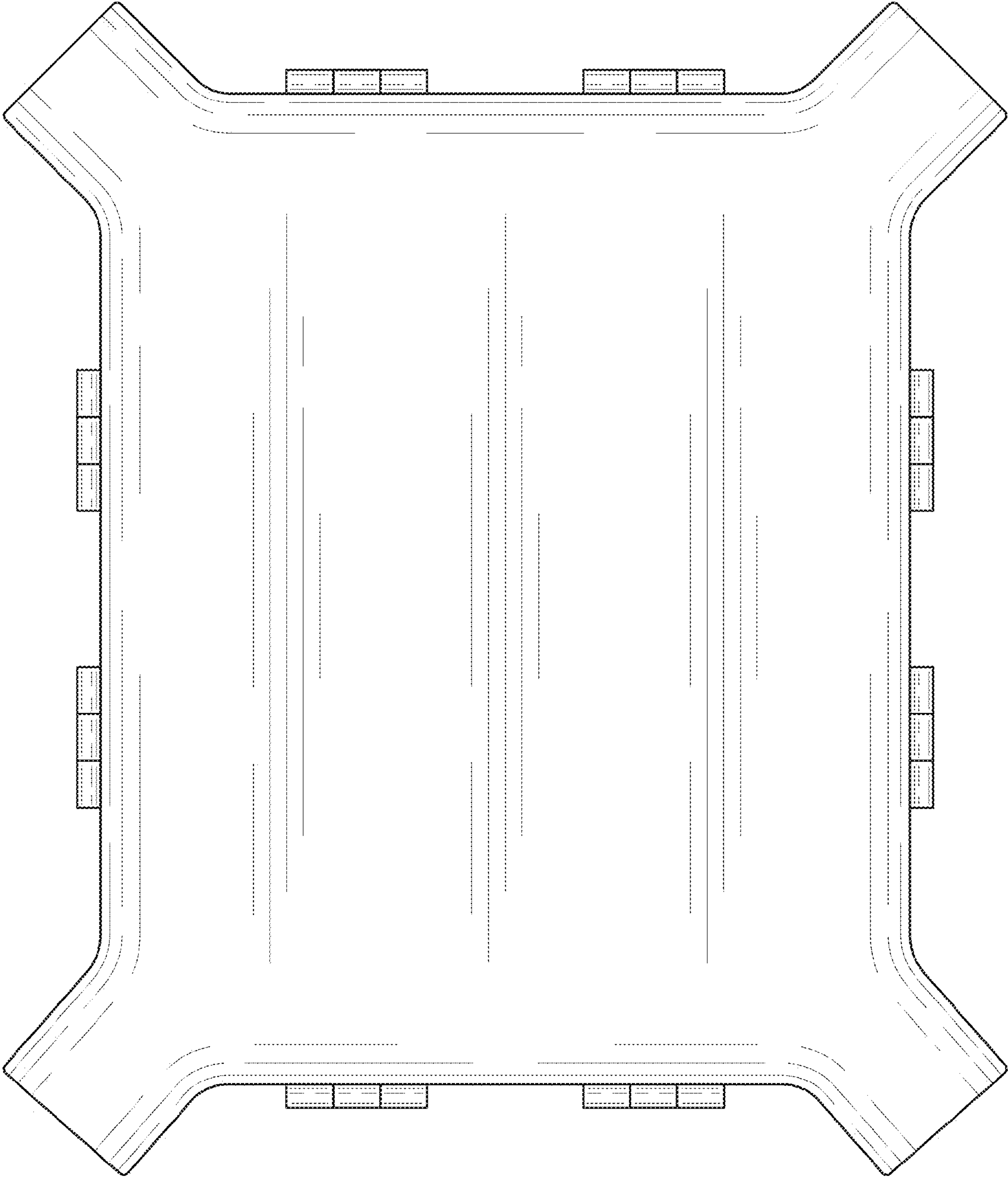


FIG. 3

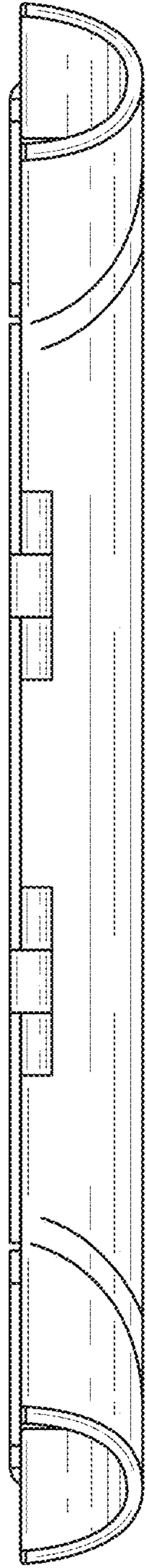


FIG. 4

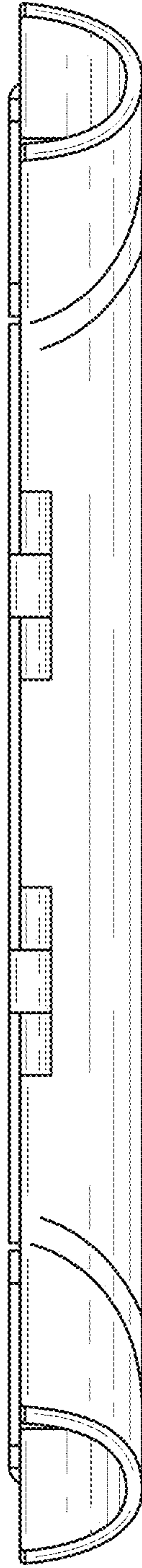


FIG. 5

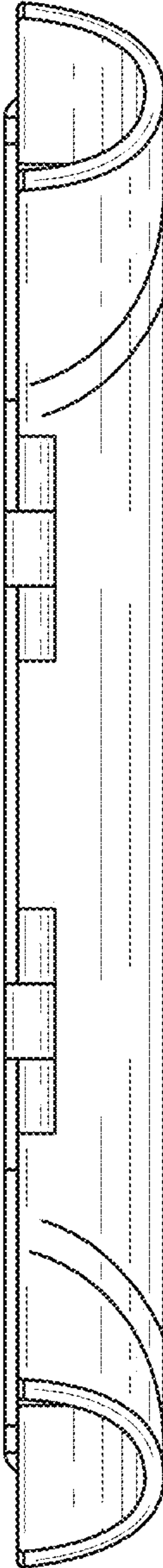


FIG. 6

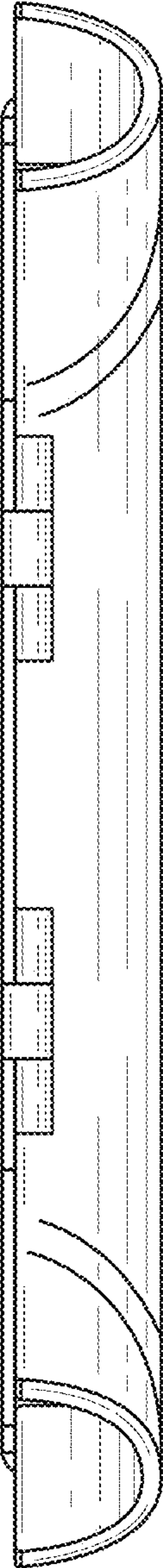


FIG. 7