



US00D950950S

(12) **United States Design Patent**
Breines

(10) **Patent No.:** **US D950,950 S**
(45) **Date of Patent:** **** May 10, 2022**

(54) **CASE WITH ADJUSTABLE INTERNAL DIVIDERS**

DESCRIPTION

- (71) Applicant: **Robert Breines**, Westlake Village, CA (US)
- (72) Inventor: **Robert Breines**, Westlake Village, CA (US)
- (**) Term: **15 Years**
- (21) Appl. No.: **29/765,550**
- (22) Filed: **Jan. 8, 2021**
- (51) **LOC (13) Cl.** **03-01**
- (52) **U.S. Cl.**
USPC **D3/285; D3/289**
- (58) **Field of Classification Search**
USPC D3/201, 217, 273, 276, 279, 283, 285,
D3/289, 290, 900, 902, 905, 257, 258,
D3/254; D7/605, 607

FIG. 1 is a front perspective view of a case with adjustable internal dividers, showing my new design in a closed configuration with a zipper flap also in a closed configuration;

FIG. 2 is a front elevational view of FIG. 1;

FIG. 3 is a rear elevational view of FIG. 1;

FIG. 4 is a left-side elevational view of FIG. 1;

FIG. 5 is a right-side elevational view of FIG. 1;

FIG. 6 is a top plan view of FIG. 1;

FIG. 7 is a bottom plan view of FIG. 1;

FIG. 8 is a front perspective view thereof, illustrate with the zipper flap in an open position;

FIG. 9 is a front perspective view thereof, illustrated in an open configuration and with two large flaps in a stowed position over a top compartment, and with a large divider panel fixed across a bottom compartment;

FIG. 10 is a front perspective view of FIG. 9 but with the two large flaps in an open position revealing another large divider panel and four small divider panels in the top compartment;

FIG. 11 is a front perspective view of FIG. 10 but with the large flaps and divider panels omitted for clarity of design;

FIG. 12 is a rear perspective view of FIG. 11;

FIG. 13 is a front perspective view of the two large flaps, the two large divider panels, and the four small divider panels, an outer case omitted for clarity of design;

FIG. 14 is a rear perspective view of FIG. 13;

FIG. 15 is a perspective view thereof, illustrated in an alternate configuration wherein each of the top compartment and the bottom compartment include one of the large divider panels and one of the large flaps in the closed position, covering two of the small divider panels; and,

FIG. 16 is a perspective view of FIG. 15 but with the large flaps in the open position to reveal the small divider panels thereunder.

The broken lines in the figures represent stitching and are part of the claimed design.

(Continued)

(56) **References Cited**

U.S. PATENT DOCUMENTS

D154,247 S 6/1949 Doppelt
2,556,066 A * 6/1951 Cline A45C 11/008
190/111

(Continued)

OTHER PUBLICATIONS

Amazon, "USA Gear Console Carrying Case—Xbox Travel Bag Compatible with Xbox One . . . ", First on sale Jun. 23, 2014. (<https://www.amazon.com/USA-Gear-Controllers-Adjustable-Customizable/dp/B00LAU0Q1M?th=1>) (Year: 2014).*

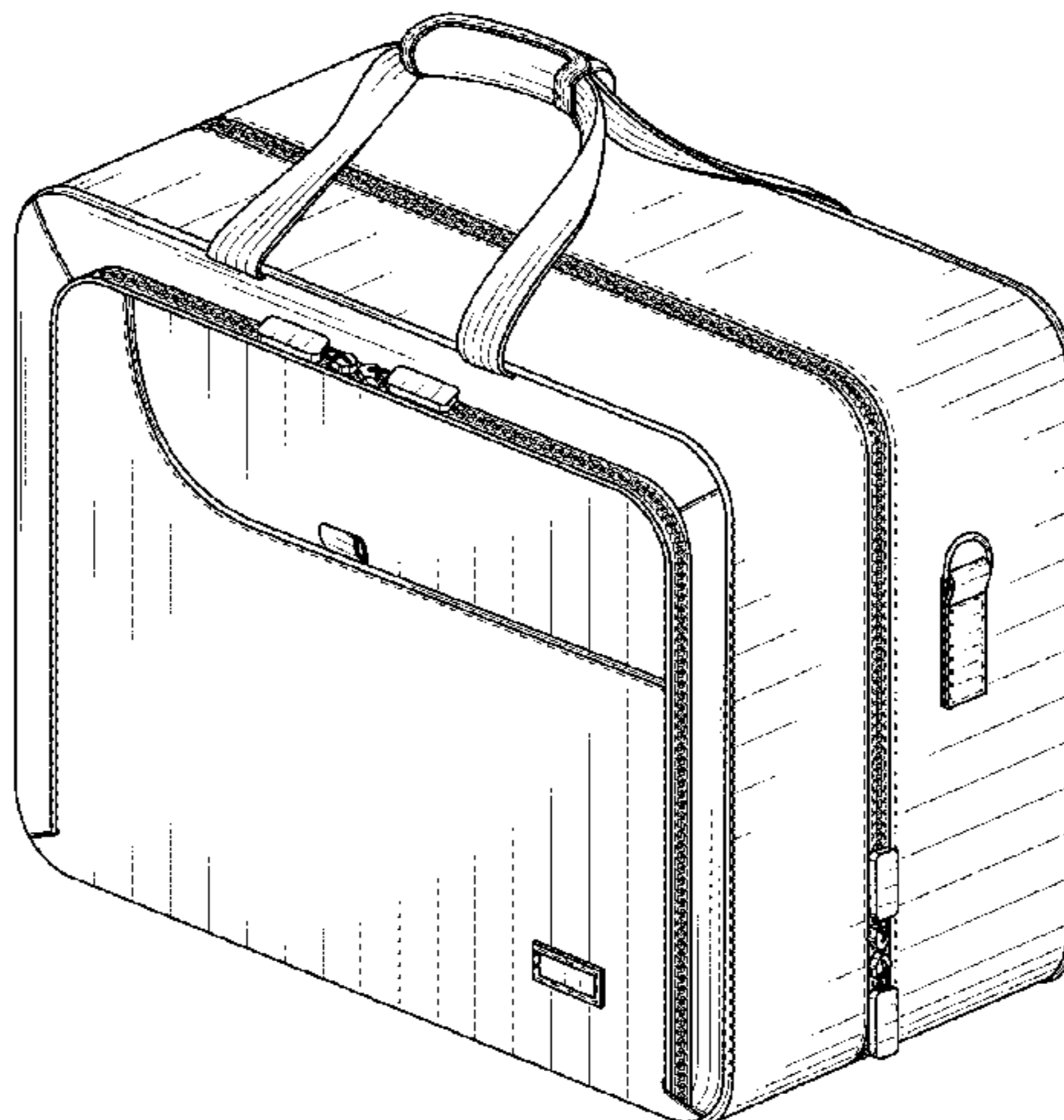
(Continued)

Primary Examiner — April Rivas

(57) **CLAIM**

The ornamental design for a case with adjustable internal dividers, as shown and described.

1 Claim, 15 Drawing Sheets



(58) **Field of Classification Search**
 CPC A45C 2003/008; A45C 2005/035; A45C
 7/009; A45C 13/02; A45C 2013/025;
 A45C 2013/026; B25H 3/02; C05F 17/95
 See application file for complete search history.

(56) **References Cited**

U.S. PATENT DOCUMENTS

D242,394 S	11/1976	Tweedie	
D249,824 S	10/1978	Koszegi	
D254,819 S	4/1980	Harrison	
D269,741 S	7/1983	Stark	
D280,044 S	8/1985	Allen	
D280,867 S	10/1985	Allen	
D285,863 S	9/1986	Davis	
D285,868 S	9/1986	Davis	
D292,746 S	11/1987	Allen	
D360,978 S	8/1995	Willard	
D376,045 S	12/1996	Bernstein	
D378,709 S	4/1997	Jacobs	
D389,647 S *	1/1998	White	D3/285
D390,004 S	2/1998	Tawil	
D398,082 S	9/1998	Martz	
D398,083 S	9/1998	Martz	
D399,056 S	10/1998	Tawil	
5,960,952 A *	10/1999	Chen	A45C 13/36 190/125
D419,763 S	2/2000	Wiebe	
D432,311 S *	10/2000	Weinreb	D3/284
D441,533 S	5/2001	Tawil	
D481,204 S	10/2003	Rada	
D487,345 S	3/2004	Brouard	
D514,317 S	2/2006	Conforti	
D529,717 S	10/2006	Brancky	
D530,081 S	10/2006	Moon	
D534,351 S	1/2007	Tortorella	
D548,408 S	8/2007	Martz	
D548,964 S	8/2007	Aliberti	
D548,965 S	8/2007	Aliberti	
D560,361 S *	1/2008	Huang	D3/301
D564,226 S	3/2008	Morelli	
D591,046 S *	4/2009	Lee	D3/285
D611,246 S	3/2010	LaCorte	
D623,857 S *	9/2010	Austin	D3/289
D657,141 S	4/2012	Dolce	
D672,959 S	12/2012	Denzinger	
D718,931 S	12/2014	Brundl	
D723,280 S	3/2015	Sanz	
D732,350 S	6/2015	Seiders	
D758,719 S	6/2016	Harper	
D765,395 S	9/2016	Sanz	
D765,967 S	9/2016	Boroski	
D766,571 S	9/2016	Boroski	
D771,942 S	11/2016	Wu	

D796,843 S *	9/2017	Connor	D3/285
D799,823 S *	10/2017	Schartle	D3/285
D808,154 S	1/2018	Romano	
D819,966 S	6/2018	Yu	
D825,921 S	8/2018	Pennington	
D839,586 S *	2/2019	Li	D3/205
D841,312 S *	2/2019	Lin	D3/206
D859,821 S	9/2019	Soulette	
D866,180 S *	11/2019	Johan	D3/265
D868,390 S	11/2019	Santo Domingo	
D869,154 S	12/2019	Zeller	
D874,129 S *	2/2020	Goldstein	D3/217
D879,462 S *	3/2020	Si	D3/206
D882,949 S	5/2020	Wang	
D886,451 S *	6/2020	Plehn	D3/274
D889,829 S	7/2020	Thibadeau	
D893,183 S	8/2020	Eisenhardt	
D893,871 S *	8/2020	Plunkett	D3/285
D901,889 S	11/2020	Jacobs	
D904,021 S	12/2020	Sanz	
D906,672 S	1/2021	Wu	
D907,922 S	1/2021	Dooling	
D918,296 S *	5/2021	Merckenschlager	D19/86
2004/0045781 A1	3/2004	Scicluna	

OTHER PUBLICATIONS

Amazon, "USA Gear Xbox Case—Console Case Compatible with Xbox Series X . . .", First on sale Oct. 28, 2020. (<https://www.amazon.com/USA-GEAR-Xbox-Case-Customizable/dp/B08M4GTD6F>) (Year: 2020).*

Amazon, "Hard Travel Case replacement for Sony PlayStation 4 PS4 . . .", First on sale Sep. 16, 2017. (<https://www.amazon.com/Travel-PlayStation-Console-Launch-co2CREA-4/dp/B075P2K96T/>) (Year: 2017).*

Amazon, "Alena Culian Electronic Organizer Travel Universal Cable Organizer . . .", First on sale Apr. 25, 2019. (<https://www.amazon.com/Electronic-Organizer-Universal-Electronics-Accessories/dp/B07PFZ1CFN>) (Year: 2019).*

Amazon, "EVA Hard Protective Travel Case Carrying Bag for Sony PlayStation 4 . . .", first on sale Sep. 22, 2016. (<https://www.amazon.com/Protective-Carrying-PlayStation-Controller-Hermitshell-4/dp/B01M0J9S3P>) (Year: 2016).*

Amazon, "Hard Travel Case replacement for Sony PlayStation 4 . . .", First sold Sep. 16, 2017. (<https://www.amazon.com/Travel-PlayStation-Console-Launch-co2CREA-4/dp/B075P2K96T/>) (Year: 2017).*

USA Gear S Series S23, downloaded from the Internet at "https://www.accessorypower.com/index.php?route=product/product&product_id=11637&search=S23" on Jan. 8, 2021. The Applicant/Inventor is the owner of this website and product, and is taking advantage of the one-year grace period under AIA 35 U.S.C. 102(b)(1)(A) for this earliest public disclosure of the product on Oct. 28, 2020.

* cited by examiner



FIG. 1



FIG. 2



FIG. 3

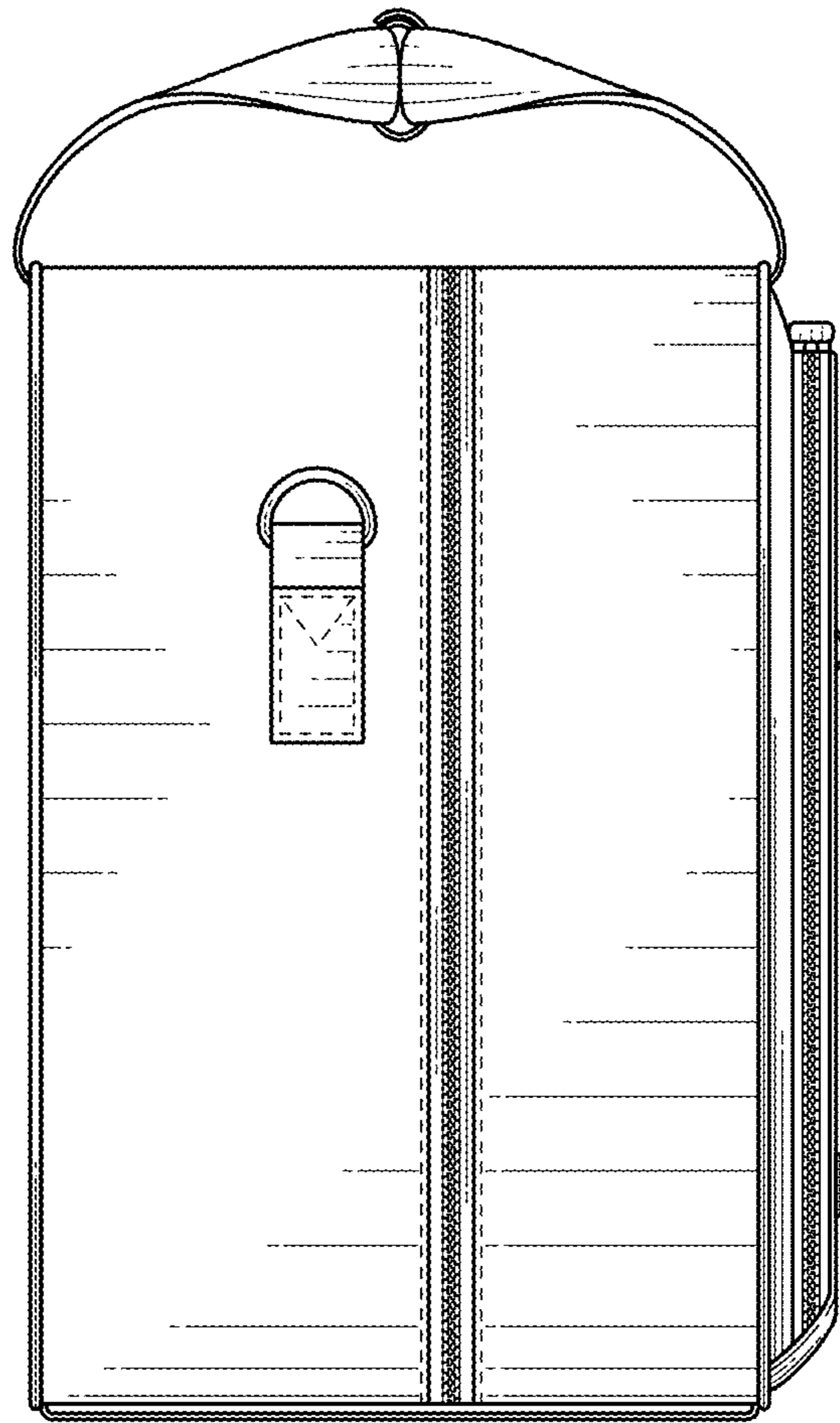


FIG. 4

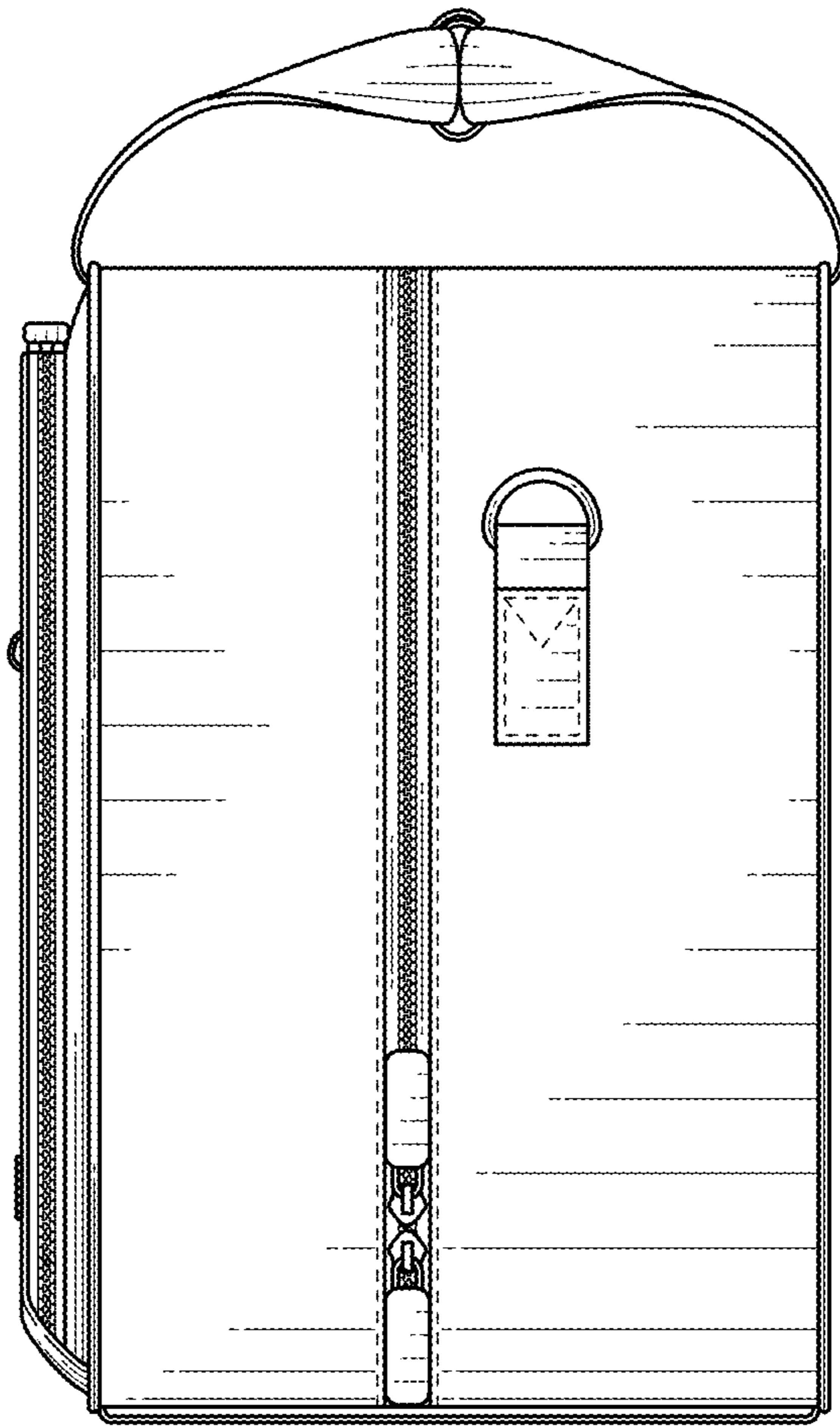


FIG. 5

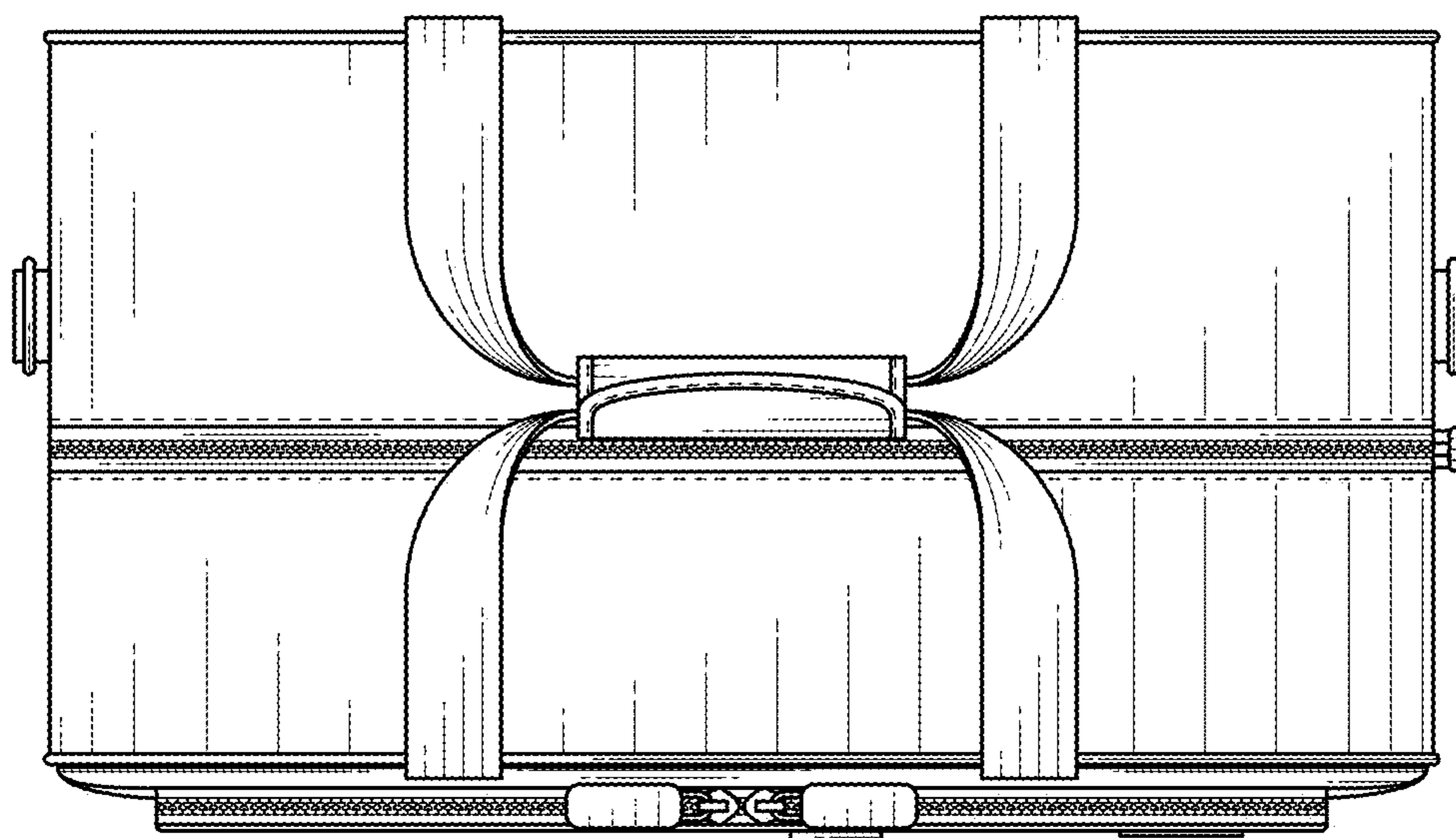


FIG. 6

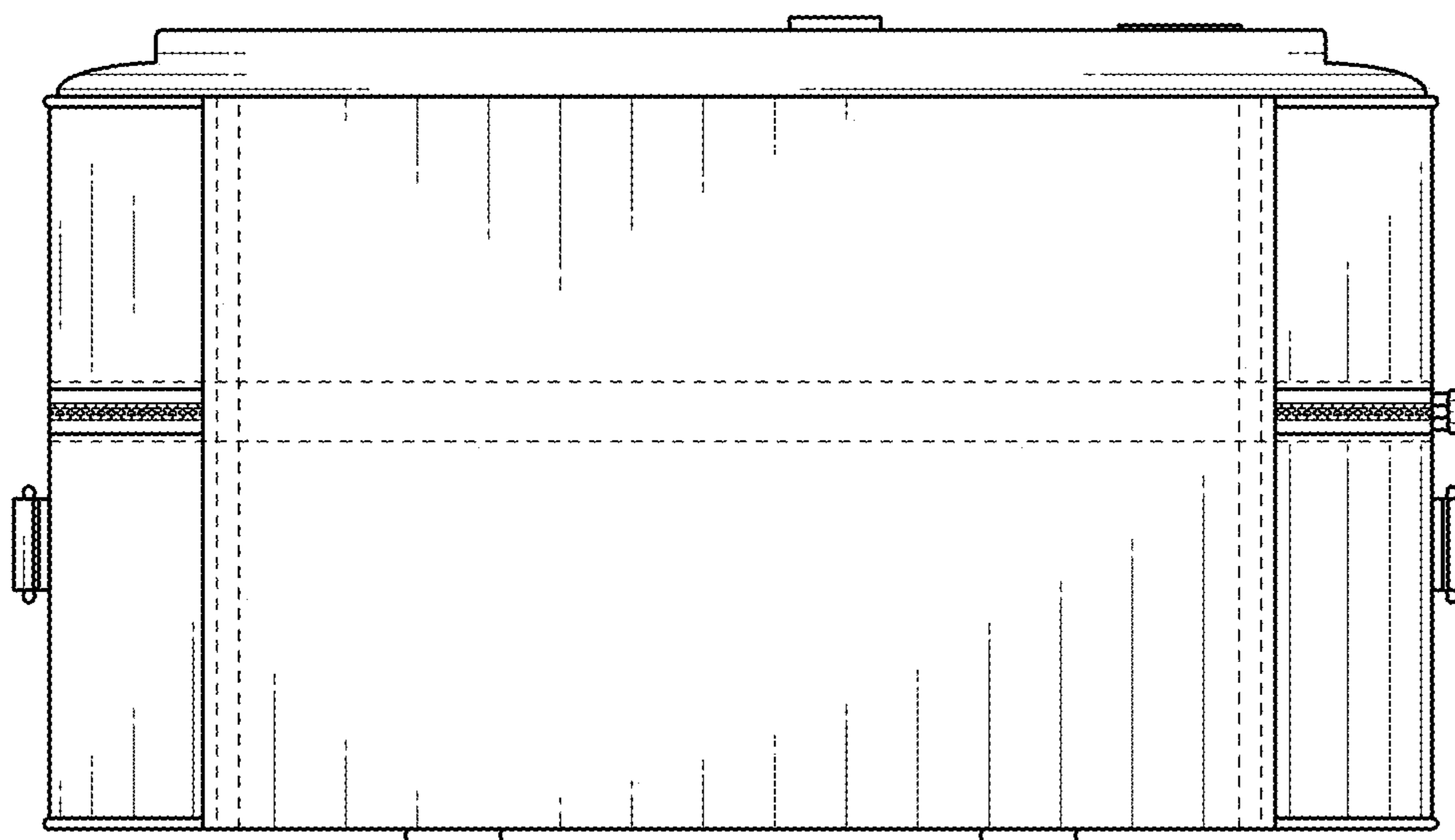


FIG. 7

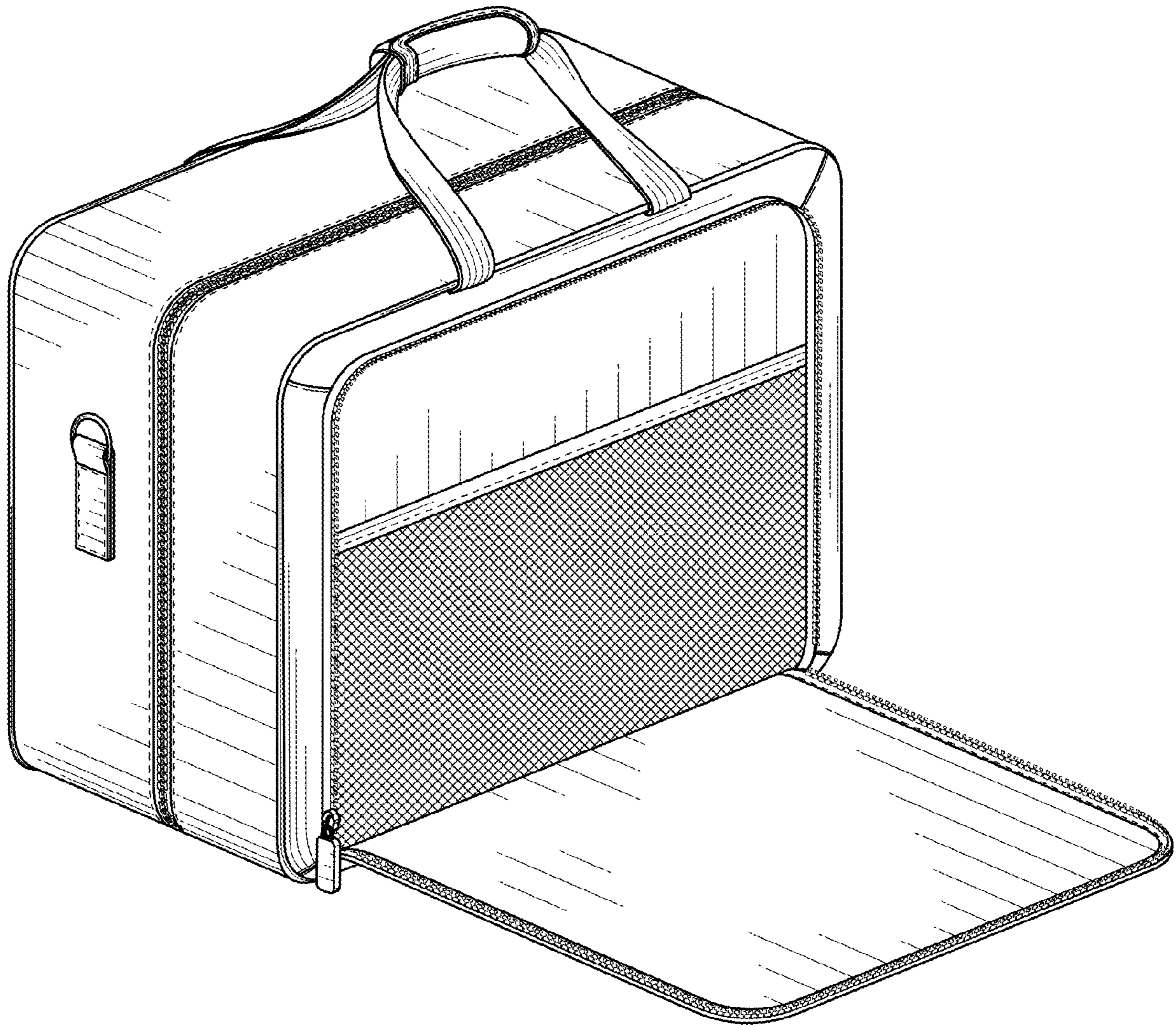


FIG. 8

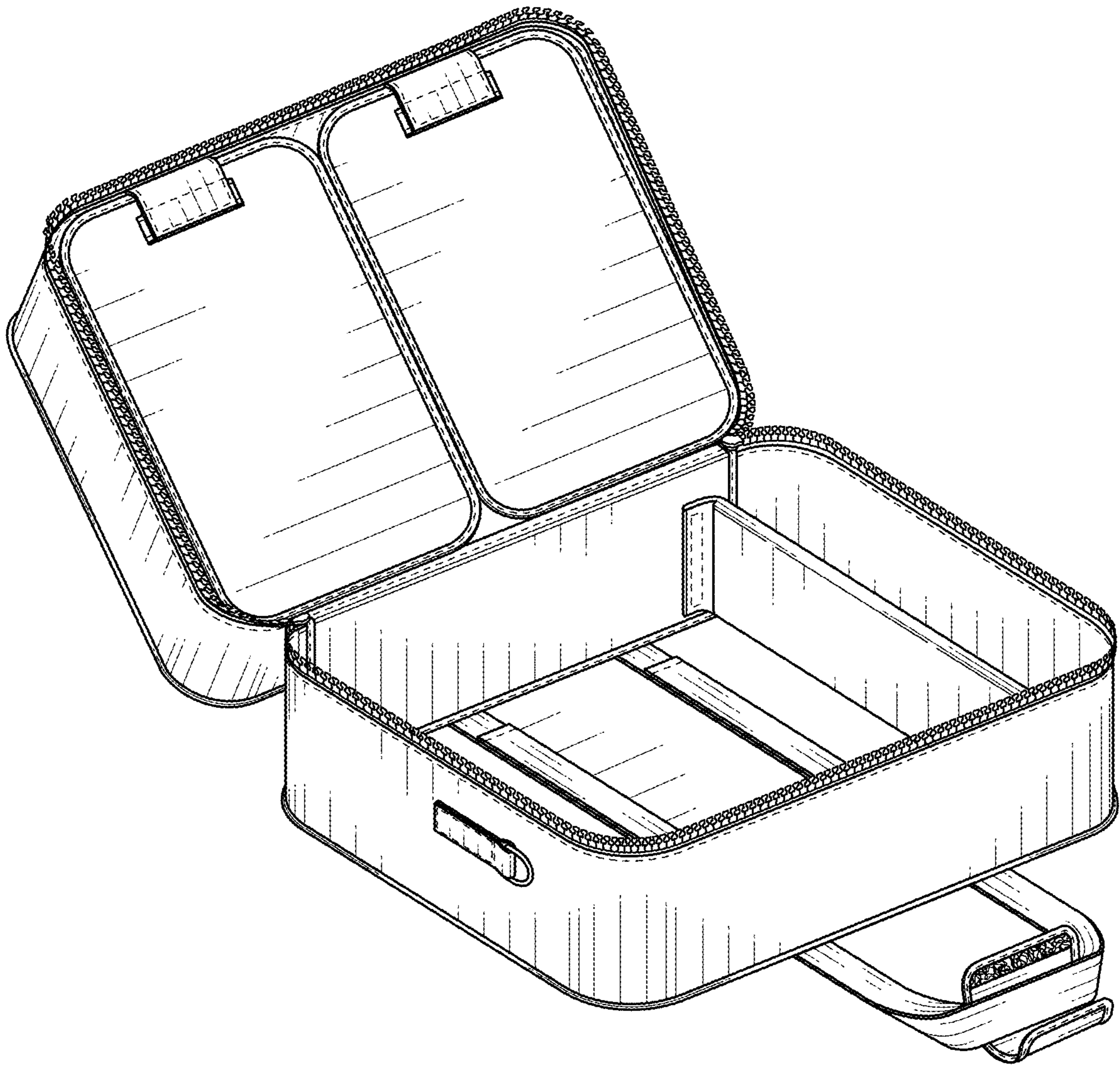


FIG. 9

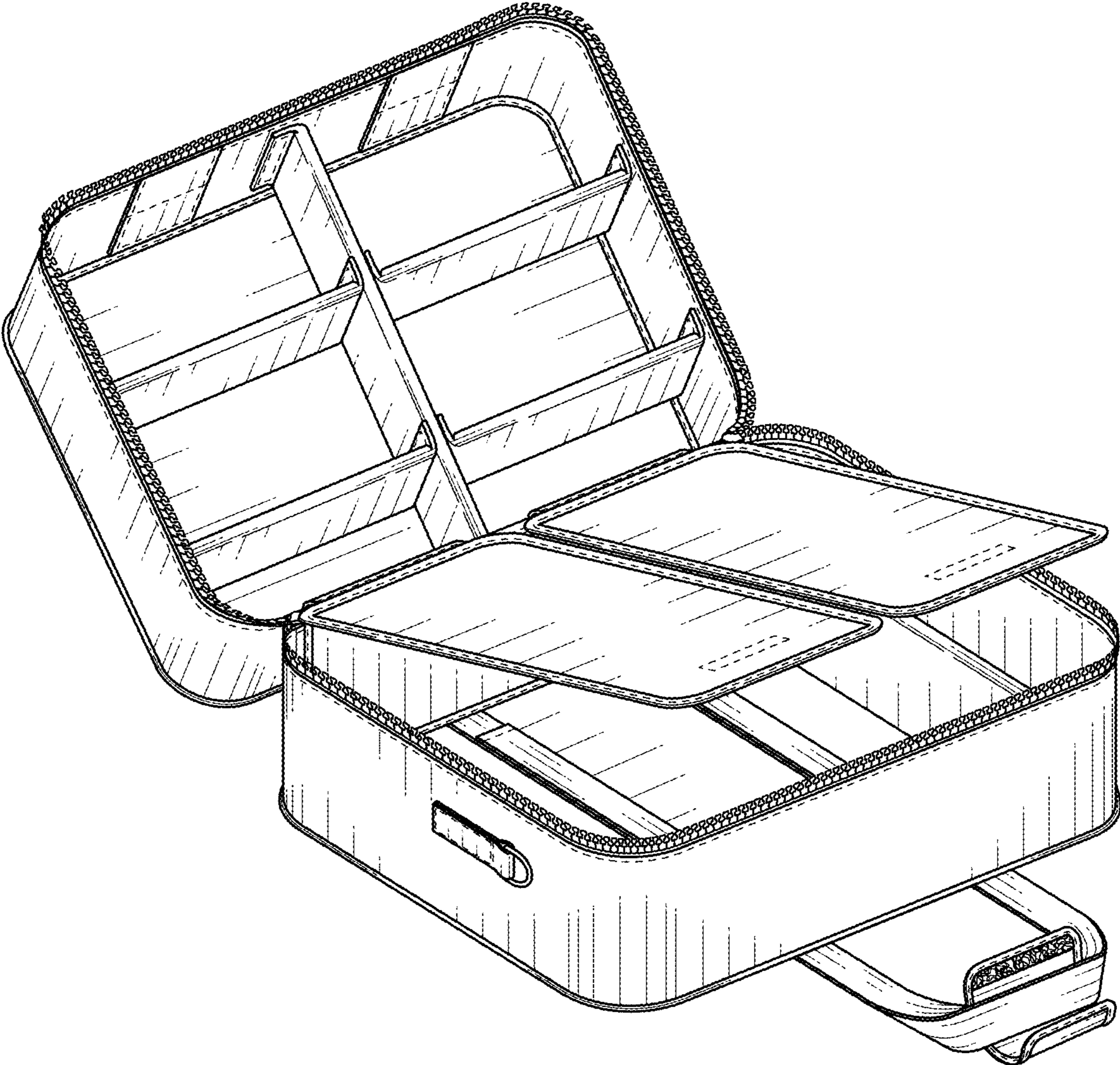


FIG. 10

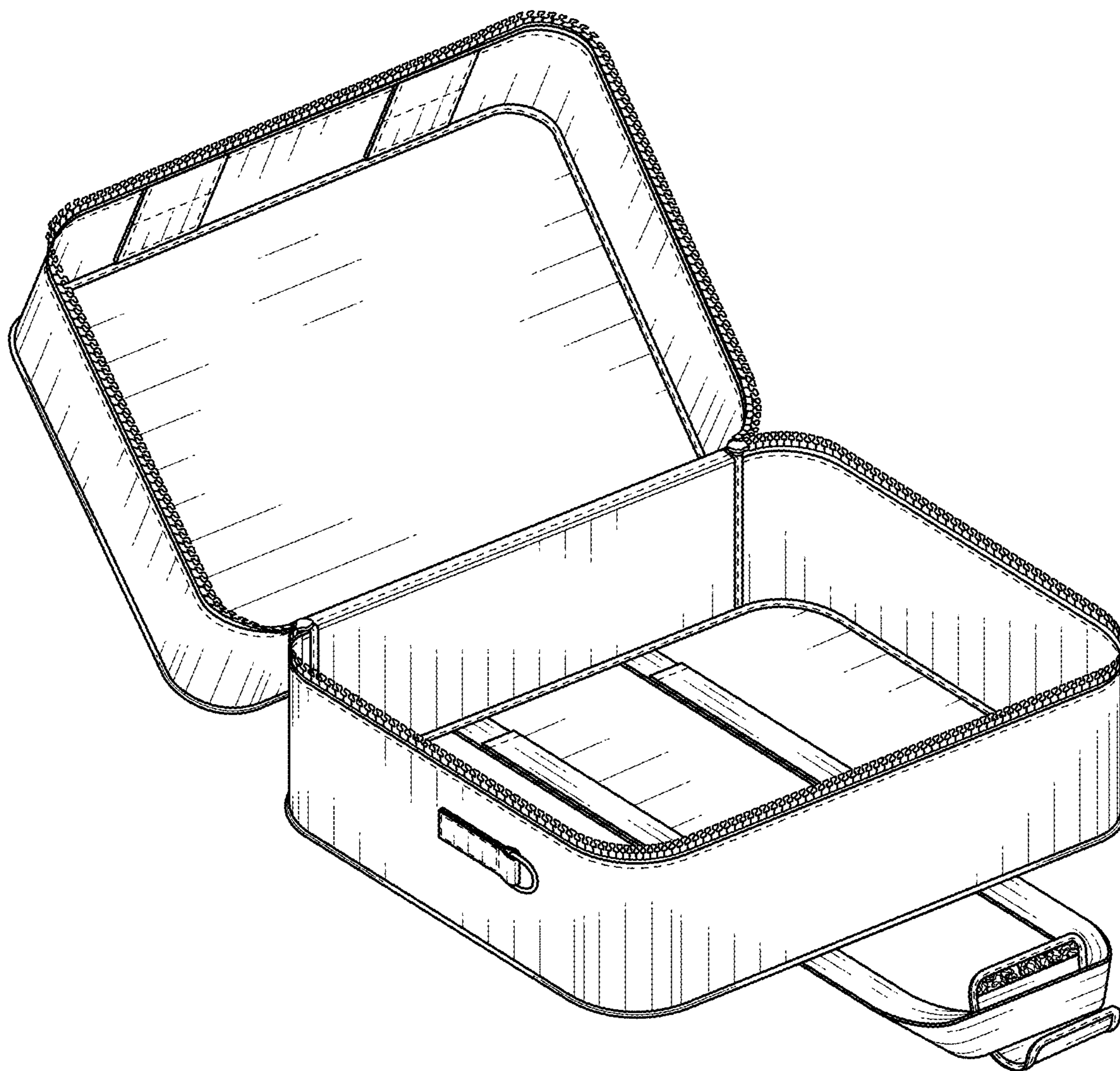


FIG. 11

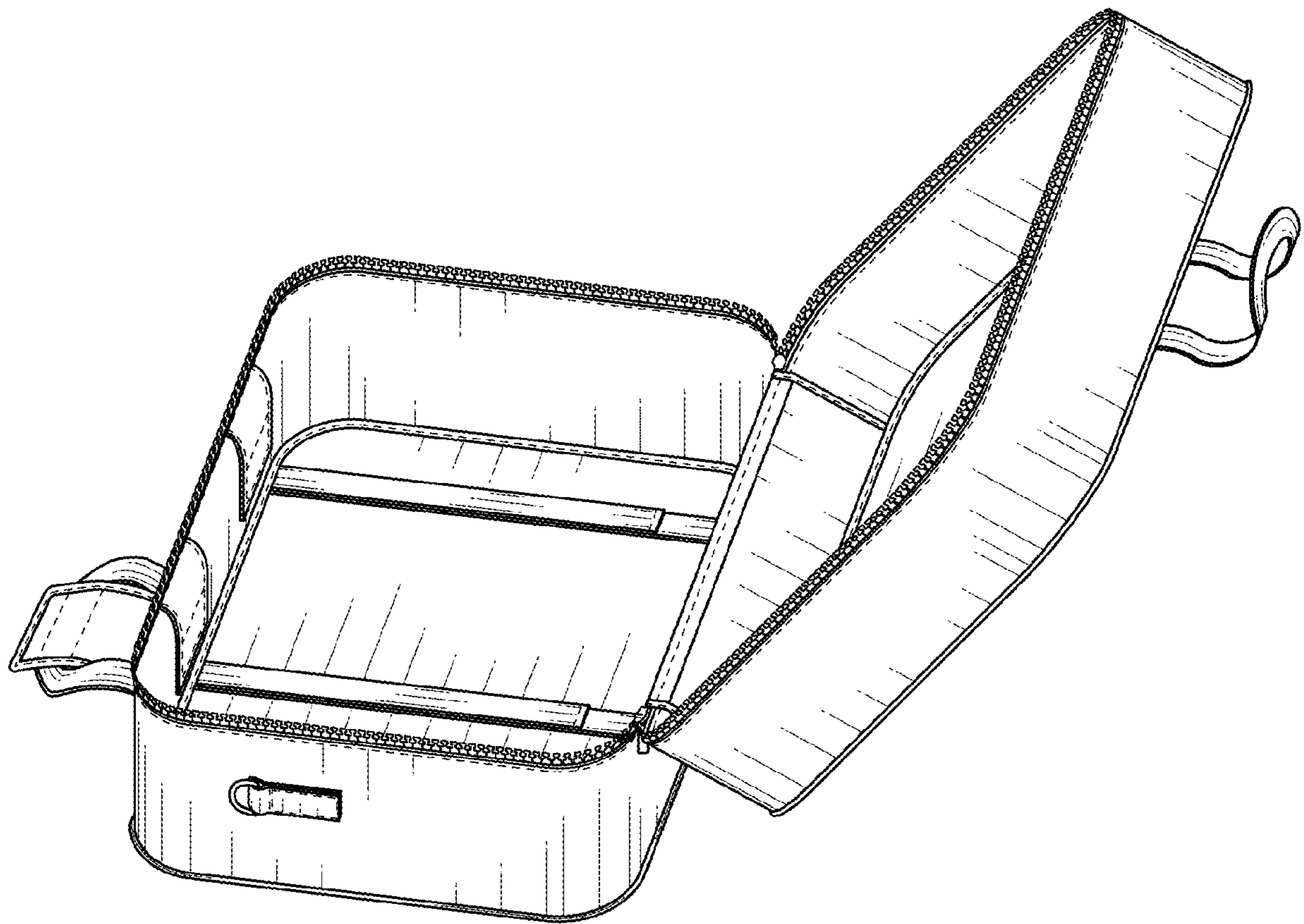


FIG. 12

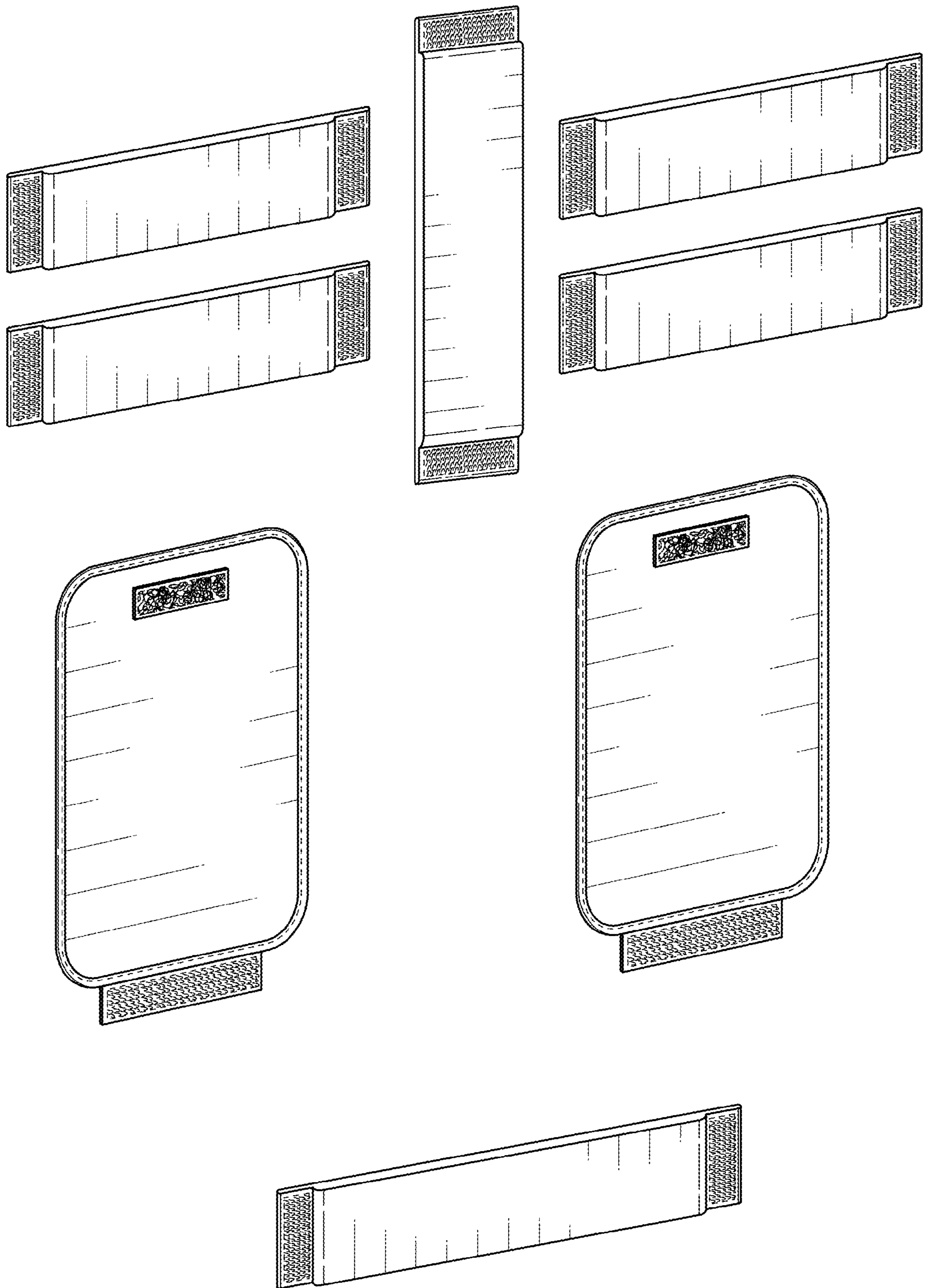


FIG. 13

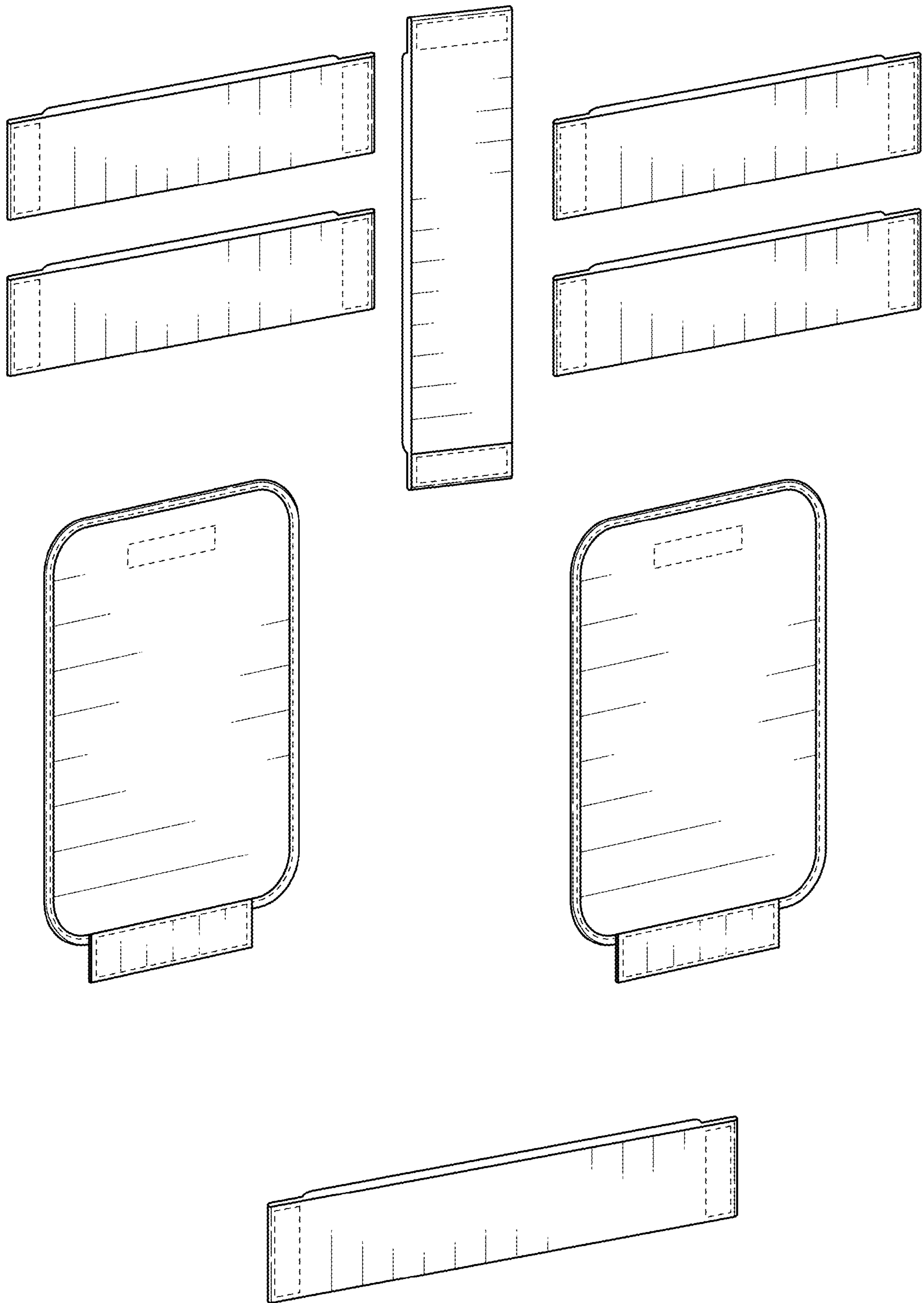


FIG. 14

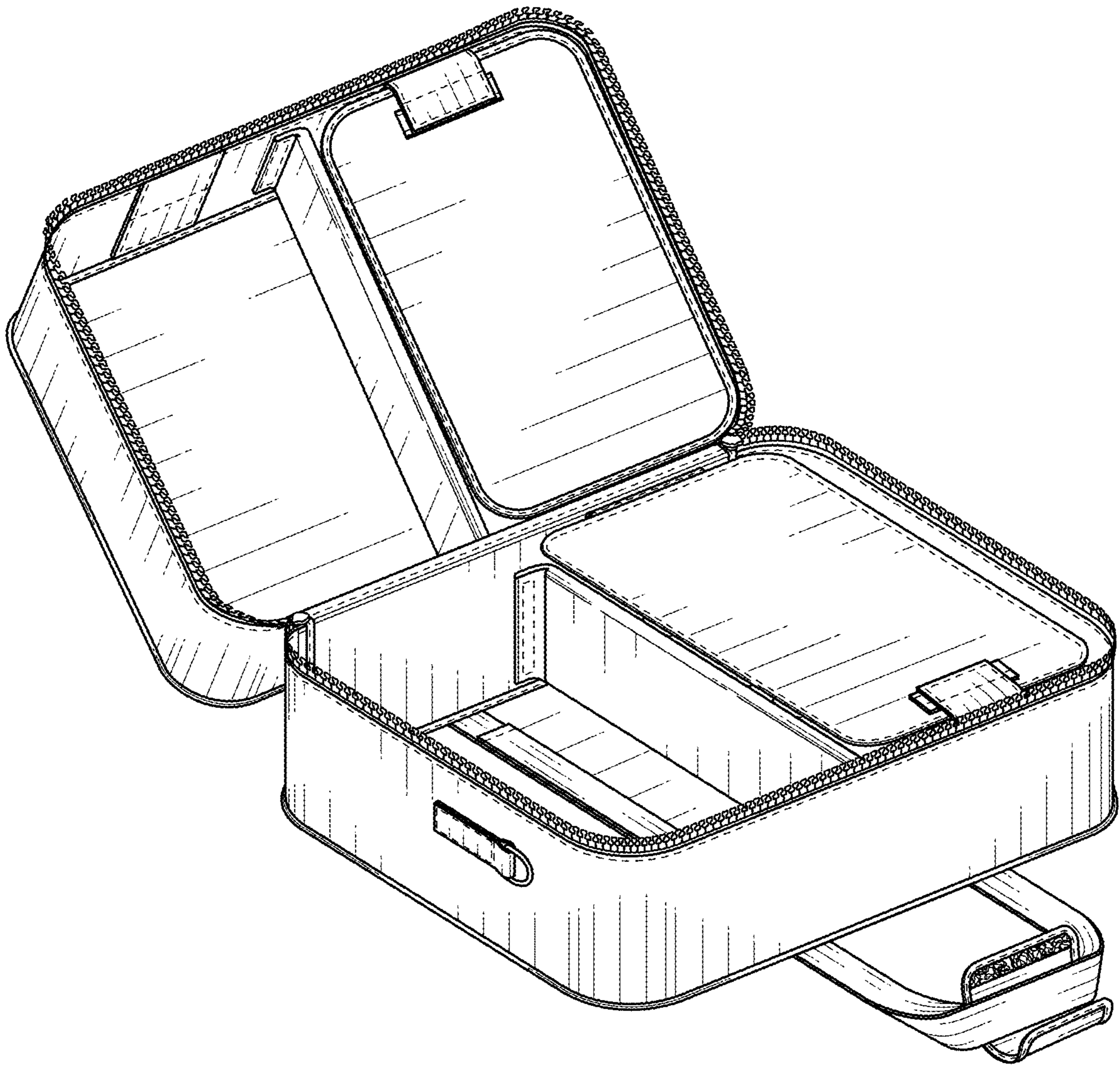


FIG. 15

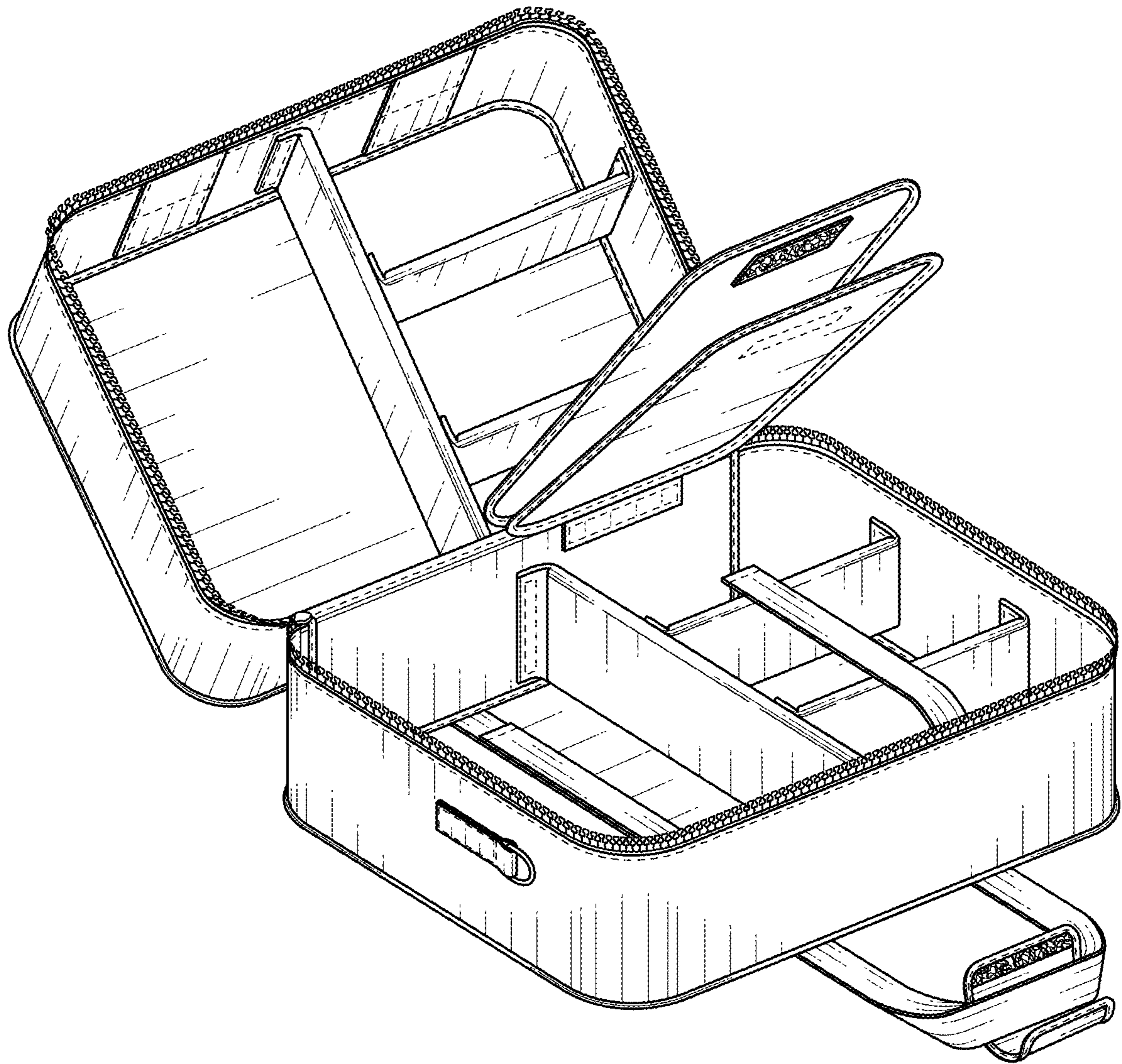


FIG. 16