



US00D950949S

(12) **United States Design Patent**  
**You**

(10) **Patent No.:** **US D950,949 S**

(45) **Date of Patent:** **\*\* May 10, 2022**

(54) **TOOLBOX**

(71) Applicant: **NINGBO MEIQI TOOL CO., LTD.**,  
Zhejiang (CN)

(72) Inventor: **Lizhong You**, Zhejiang (CN)

(73) Assignee: **NINGBO MEIQI TOOL CO., LTD.**,  
Zhejiang (CN)

(\*\*) Term: **15 Years**

(21) Appl. No.: **29/738,481**

(22) Filed: **Jun. 18, 2020**

(30) **Foreign Application Priority Data**

Jan. 13, 2020 (CN) ..... 202030020529.6

(51) **LOC (13) Cl.** ..... **03-01**

(52) **U.S. Cl.**  
USPC ..... **D3/276**

(58) **Field of Classification Search**  
USPC ..... D3/272, 273, 274, 275, 276, 279, 281,  
D3/282, 283, 284, 285, 289, 294, 301,  
D3/318, 319, 321, 900, 901, 902, 903,  
D3/904, 905, 328, 204, 322; D8/323,  
D8/324, 325, 326, 327, 328, 329, 383,  
D8/403

CPC .... A45C 5/00; A45C 5/14; A45C 5/03; A45C  
13/03

See application file for complete search history.

(56) **References Cited**

**U.S. PATENT DOCUMENTS**

D336,984 S \* 7/1993 VanSkiver ..... D3/262  
D438,004 S \* 2/2001 Watson ..... D3/273  
D482,529 S \* 11/2003 Hardigg ..... D3/276  
D638,217 S \* 5/2011 von Gottberg ..... D3/281

D779,822 S \* 2/2017 Grenier ..... D3/279  
D847,505 S \* 5/2019 Tonelli ..... D3/279  
D861,340 S \* 10/2019 Deng ..... D3/262  
D873,007 S \* 1/2020 Tonelli ..... D3/279

**FOREIGN PATENT DOCUMENTS**

CN 303982401 \* 12/2016  
CN 304411435 \* 12/2017  
CN 305252668 \* 7/2019

**OTHER PUBLICATIONS**

Amazon.ca, Site visited Dec. 29, 2021, Pelican Storm IM3220-00001 Case, First available Feb. 13, 2012, <https://www.amazon.ca/Pelican-Storm-IM3220-00001-Case-Black/dp/B0018PA2Q8> (Year: 2012).\*

(Continued)

*Primary Examiner* — Brett Miller

*Assistant Examiner* — Jessica M Gebhart

(74) *Attorney, Agent, or Firm* — JCIP Global Inc.

(57) **CLAIM**

The ornamental design for a toolbox, as shown and described.

**DESCRIPTION**

FIG. 1 is a perspective view of a toolbox showing my new design;

FIG. 2 is a front view thereof;

FIG. 3 is a rear view thereof;

FIG. 4 is a left side view thereof;

FIG. 5 is a right side view thereof;

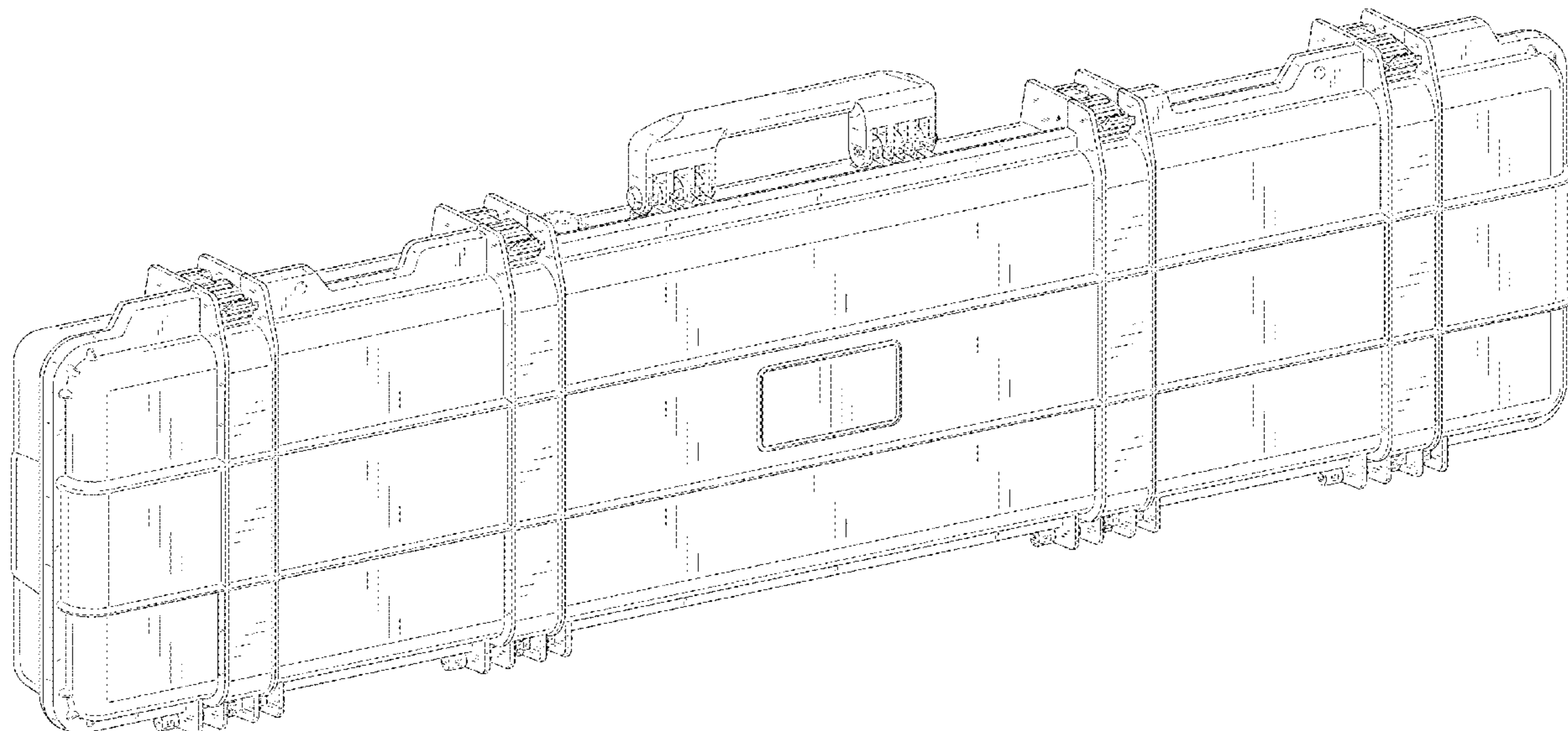
FIG. 6 is an enlarged top view thereof;

FIG. 7 is an enlarged bottom view thereof; and,

FIG. 8 is a perspective view thereof with the handle rotated.

The broken lines illustrate portions of the toolbox that form no part of the claimed design.

**1 Claim, 6 Drawing Sheets**



(56)

**References Cited**

OTHER PUBLICATIONS

Amazon.ca, Site visited Jan. 3, 2022, Nanuk 990 Waterproof Professional Hard Case for Rifle, First available Aug. 4, 2015, <https://www.amazon.ca/Nanuk-Waterproof-Professional-Rifle-Empty/dp/B00YOBASAAS> (Year: 2015).\*

Amazon.com, Site visited Jan. 3, 2022, Eylar Tactical Rifle Hard Case, First available Jan. 24, 2019, <https://www.amazon.com/dp/B081DBMHK4> (Year: 2019).\*

Amazon.com, Site visited Jan. 3, 2022, Meijia Portable All Weather Rolling Hard Rifle Case with Wheels, First available Jun. 4, 2019, <https://www.amazon.com/Portable-Rolling-Weather-Inserted-48-42x16-14x6-29inches/dp/B07SM7TTJH> (Year: 2019).\*

\* cited by examiner

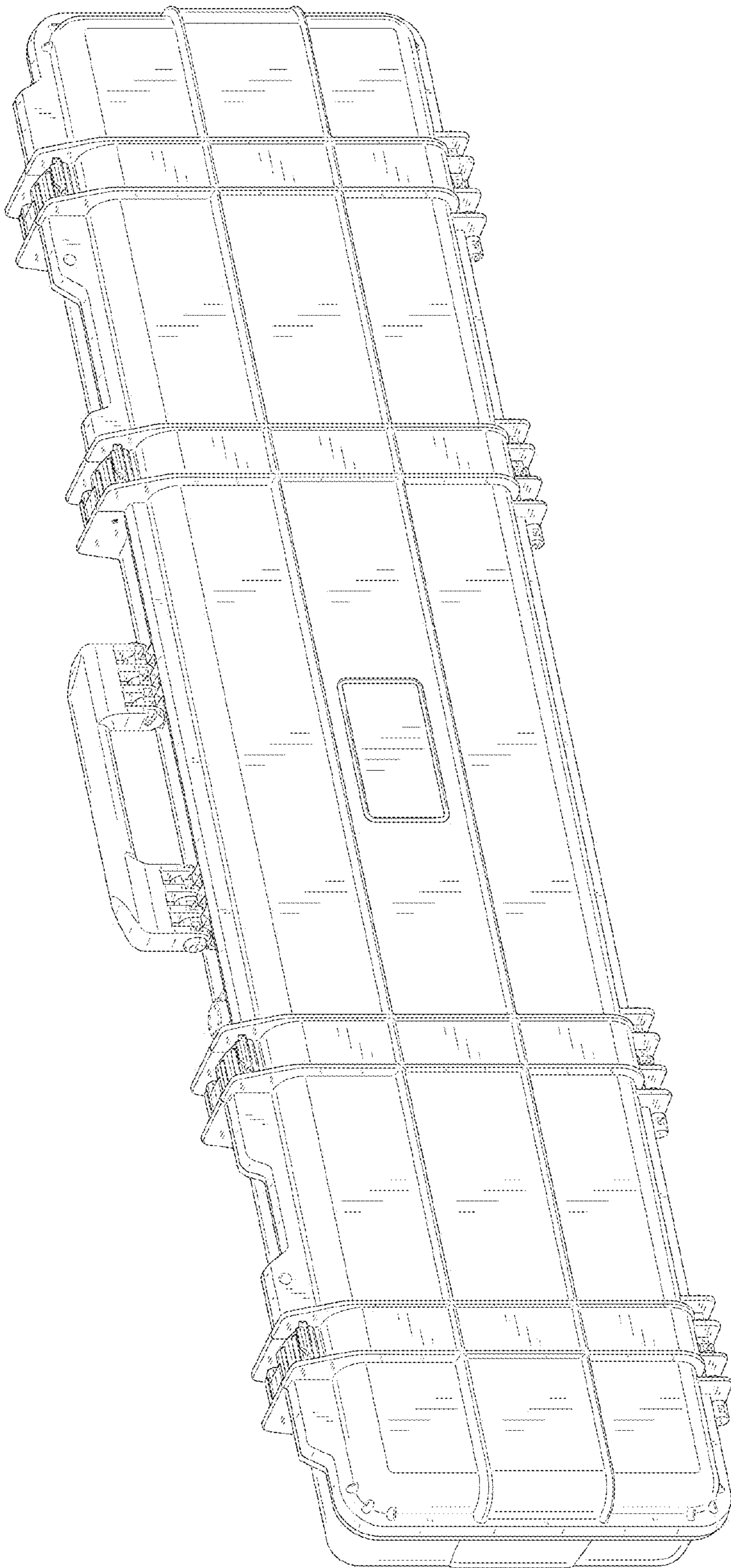


FIG. 1

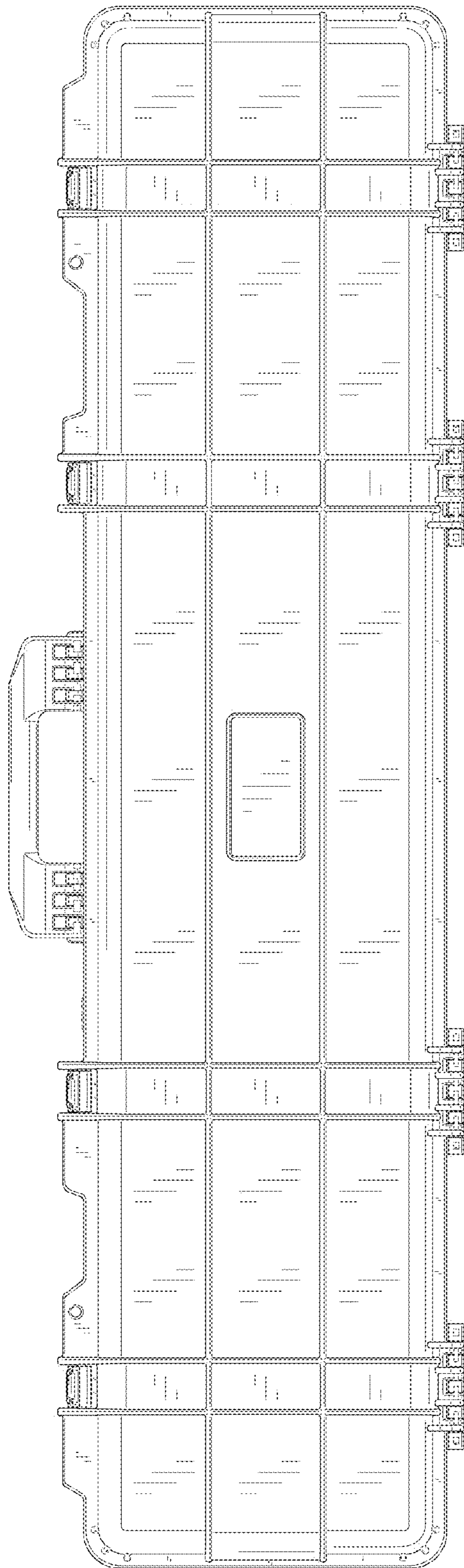


FIG. 2

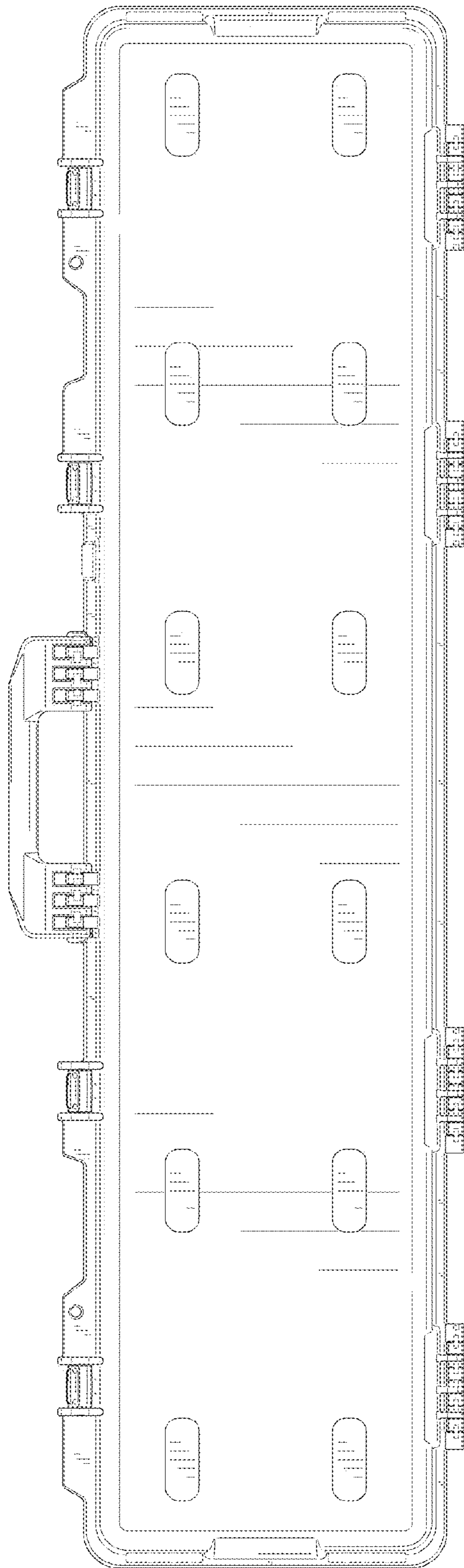


FIG. 3

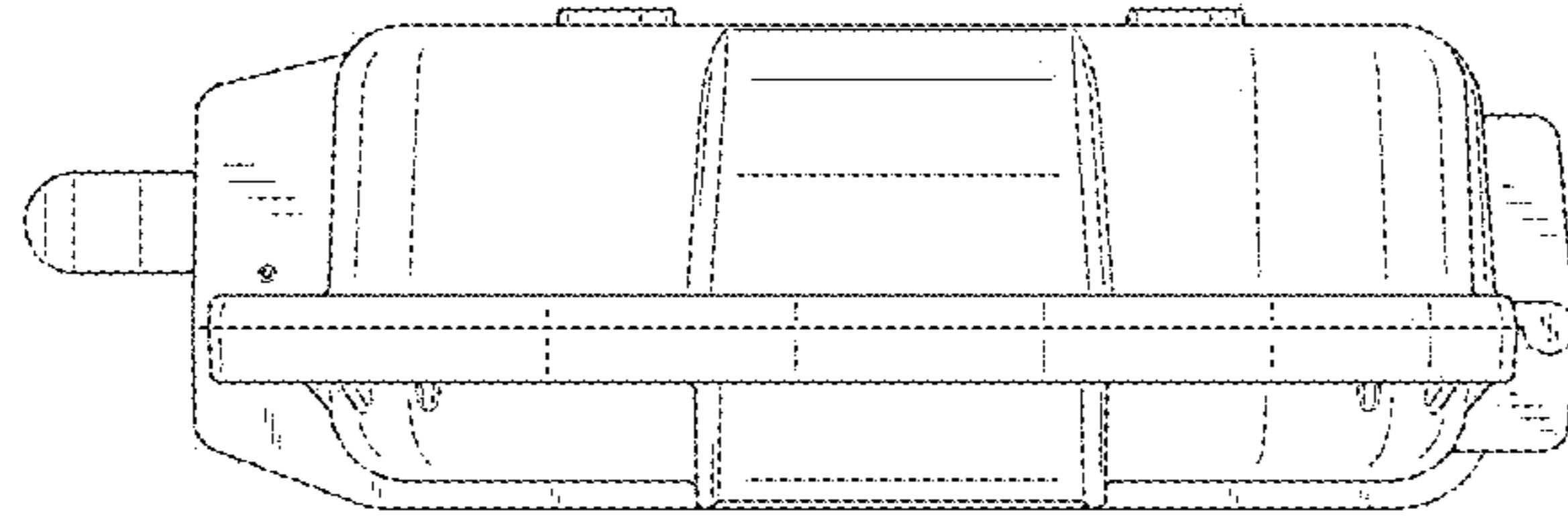


FIG. 5

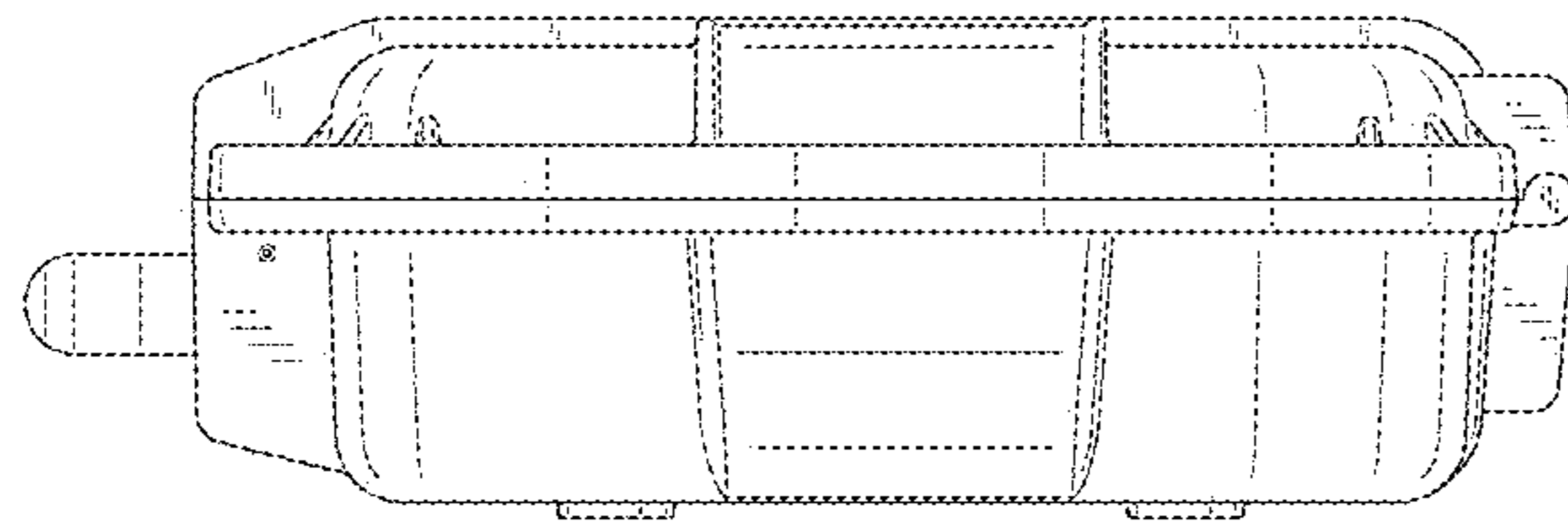


FIG. 4

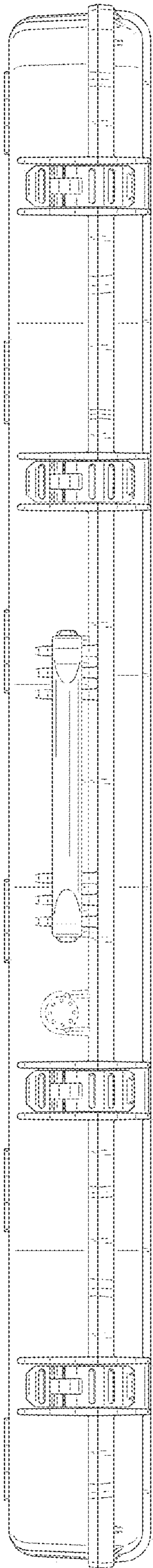


FIG. 6

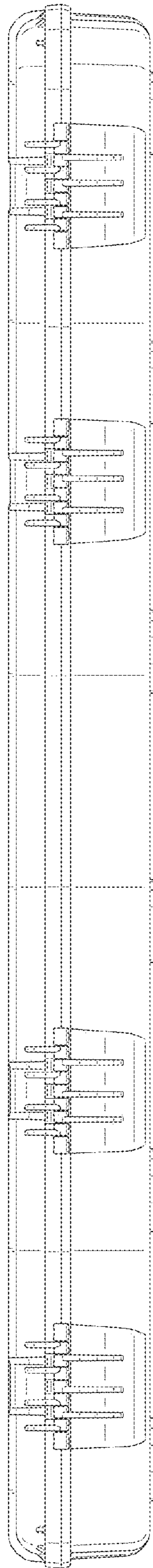


FIG. 7

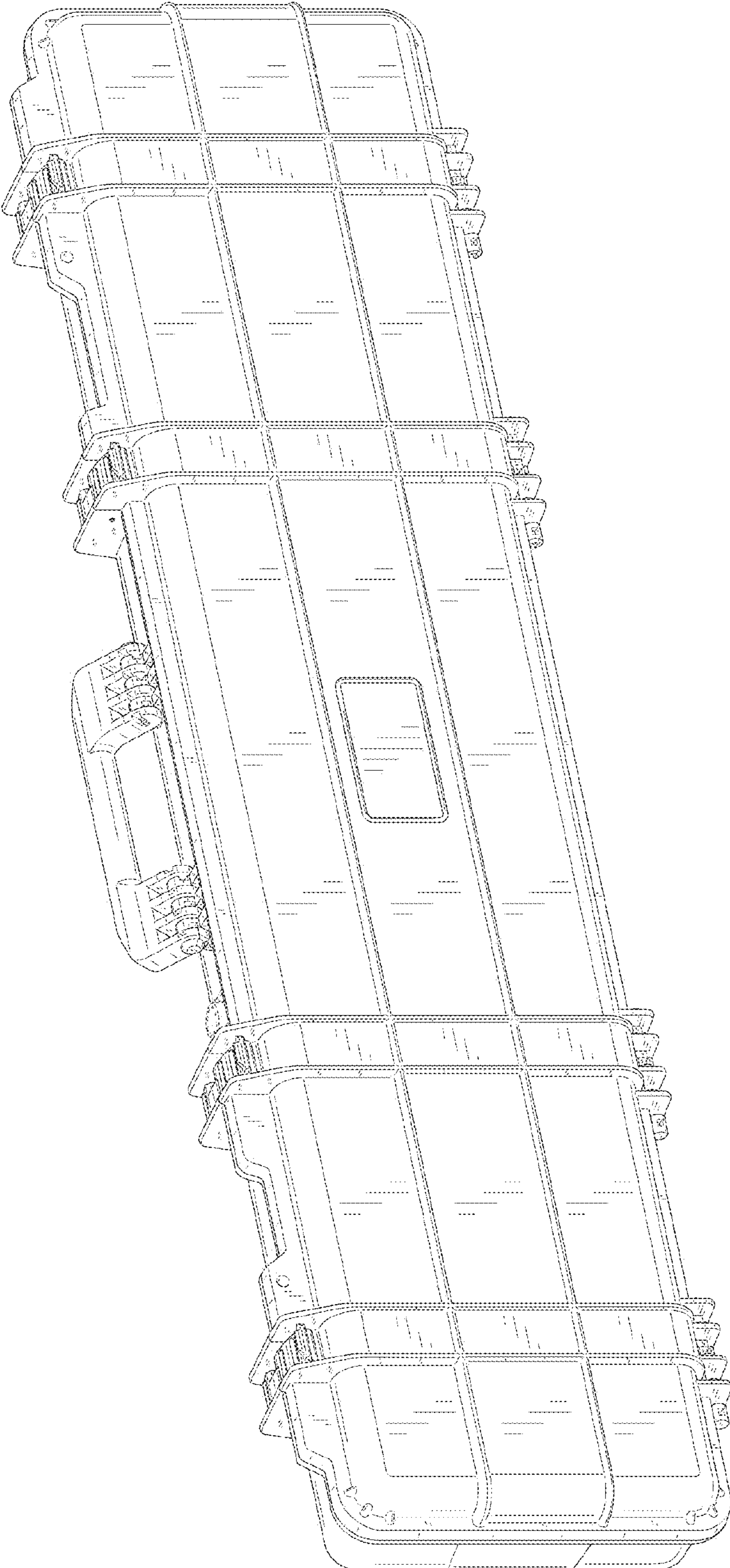


FIG. 8