



US00D950946S

(12) **United States Design Patent** (10) **Patent No.:** **US D950,946 S**
Smith et al. (45) **Date of Patent:** **** May 10, 2022**

(54) **ATTACHMENT DEVICE**

FOREIGN PATENT DOCUMENTS

(71) Applicant: **Vista Outdoor Operations LLC**,
Anoka, MN (US)

EP 3553456 A1 * 10/2019 F41C 33/041
WO WO-2009143143 A2 * 11/2009 A42B 3/04
WO WO-2020167826 A1 * 8/2020 A45F 5/021

(72) Inventors: **Paul N. Smith**, Bozeman, MT (US);
Daniel Sereday, Belgrade, MT (US);
Christopher J. Michael, Belgrade, MT
(US); **Troy E. Lance**, Livingston, MT
(US)

OTHER PUBLICATIONS

SafariIInd MLS16 Molle Accessory Locking Fork System, Earliest
Review Date [with image] Apr. 27, 2021 (online), Earliest Review
Date [without image]: Nov. 4, 2017 (online), <<https://www.homedepot.com/p/reviews/7-3-4-in-x-10-1-2-in-x-10-1-2-in-Concrete-Pier-with-Strap-Block-100002710/100321949/1>>.*

(73) Assignee: **Vista Outdoor Operations LLC**,
Anoka, MN (US)

(Continued)

(**) Term: **15 Years**

Primary Examiner — Sandra Snapp
Assistant Examiner — Ieisha N Price

(21) Appl. No.: **29/760,936**

(74) *Attorney, Agent, or Firm* — Reed Smith LLP;
Matthew P. Frederick; Cheryl L. Gastineau

(22) Filed: **Dec. 4, 2020**

(51) **LOC (13) Cl.** **03-01**

(52) **U.S. Cl.**
USPC **D3/222**; D8/382; D3/318

(58) **Field of Classification Search**
USPC D3/216, 217, 222, 224, 226, 228, 327,
D3/328, 215, 218, 318; D8/71, 349, 354,
D8/382; D22/108, 109

CPC A45F 5/02; A45F 2005/002; A45F 5/004;
A45F 2005/006; A45F 5/021; A45F
5/022; A45F 2005/023; A45F 2005/025;
A45F 2005/026; A45F 2005/027; A45F
2005/028; A45F 2200/0591; F41C 33/04;
F41C 33/041; F41C 33/043; F41C 33/045
See application file for complete search history.

(57) **CLAIM**

The ornamental design for an attachment device, as shown
and described.

DESCRIPTION

FIG. 1 is a top, rear exploded perspective view of an
attachment device in accordance with our new design;
FIG. 2 is a bottom, front perspective view thereof;
FIG. 3 is a rear view thereof;
FIG. 4 is a front view thereof;
FIG. 5 is a right view thereof;
FIG. 6 is a left view thereof;
FIG. 7 is a top view thereof; and,
FIG. 8 is a bottom view thereof.

The claim to an attachment device is directed to the collec-
tive appearance of the two parts shown in the drawings. The
broken lines shown in the drawings illustrate portions of the
attachment device and form no part of the claimed design.

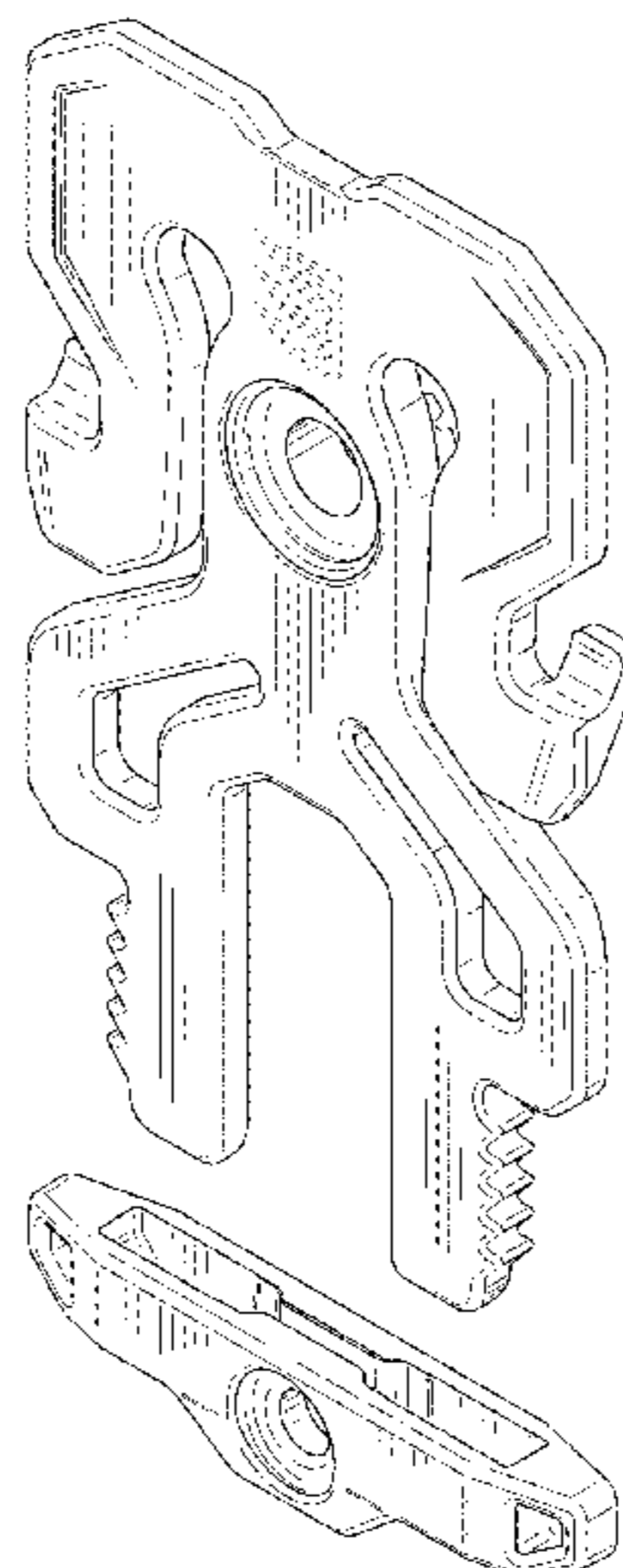
(56) **References Cited**

U.S. PATENT DOCUMENTS

D272,043 S * 1/1984 Cowdroy D8/382
5,274,885 A * 1/1994 Hellweg A45F 5/02
224/272
5,890,635 A * 4/1999 Wu B65D 23/108
224/148.4
6,711,785 B1 * 3/2004 Hicks A44B 11/006
24/3.1

(Continued)

1 Claim, 6 Drawing Sheets



(56)

References Cited

U.S. PATENT DOCUMENTS

D512,905 S * 12/2005 Byers D8/382
 7,007,352 B1 3/2006 Hil
 D592,850 S * 5/2009 Shen D3/222
 7,883,235 B2 * 2/2011 Galli F21V 23/0414
 362/208
 D633,375 S * 3/2011 Jablonka D8/382
 8,297,562 B1 10/2012 Yeates et al.
 8,523,029 B2 9/2013 Rogers et al.
 D770,169 S * 11/2016 Patulski D3/215
 9,797,679 B2 10/2017 Ponder
 10,047,906 B2 * 8/2018 Shimonishi F16M 11/041
 10,436,551 B1 * 10/2019 Bradford F41C 33/048
 D874,131 S * 2/2020 Zhang D3/222
 D895,274 S * 9/2020 Dara D3/222
 D895,961 S * 9/2020 Swan D3/222
 D912,398 S * 3/2021 Bradford D3/222
 D923,132 S * 6/2021 Wang D22/110
 11,035,648 B2 * 6/2021 Zhang F42B 39/02
 D927,956 S * 8/2021 Tavernier D8/330
 D928,904 S * 8/2021 Zhang D22/108
 D930,979 S * 9/2021 Tang D3/222
 D933,952 S * 10/2021 Sun D3/222
 2002/0132592 A1 * 9/2002 Fan A45F 5/02
 455/575.1
 2004/0035897 A1 * 2/2004 Salentine A45F 5/004
 224/162
 2007/0023468 A1 * 2/2007 Ford F41C 33/045
 224/197
 2007/0090138 A1 * 4/2007 Parsons F41C 33/045
 224/197
 2009/0277936 A1 * 11/2009 Rogers A45F 5/02
 224/191
 2012/0175390 A1 * 7/2012 Rogers F41C 33/045
 224/182
 2012/0175391 A1 * 7/2012 Rogers F41C 33/045
 224/182
 2013/0148295 A1 * 6/2013 Minn A45F 5/00
 361/679.59
 2015/0323285 A1 * 11/2015 McKendrick F41C 33/045
 224/192
 2016/0302557 A1 * 10/2016 Chen A45F 3/10

2016/0316900 A1 * 11/2016 Hanchett A45F 5/02
 2017/0099934 A1 * 4/2017 Evans A45F 5/02
 2018/0042370 A1 * 2/2018 Castedo Gomez F16B 2/20
 2019/0219358 A1 * 7/2019 Rogers F41C 33/043
 2019/0219359 A1 * 7/2019 Rogers F41C 33/045
 2019/0316876 A1 * 10/2019 Zhang F41C 33/045
 2020/0069004 A1 * 3/2020 Mackay A44B 15/00
 2020/0109914 A1 * 4/2020 Gadams F41C 33/04
 2020/0141694 A1 5/2020 Tedder et al.
 2020/0154868 A1 * 5/2020 Hines-Lucas A45C 11/182
 2020/0187632 A1 * 6/2020 Michael F41C 33/041
 2020/0253365 A1 * 8/2020 Blumenthal A45F 5/021
 2020/0292273 A1 * 9/2020 Shearer F41C 33/0263
 2020/0309484 A1 * 10/2020 Zhang F41C 33/041
 2021/0045516 A1 * 2/2021 Beckhart A45F 3/02

OTHER PUBLICATIONS

RioRand Quick Locking System Kit, Earliest Review Date [with image]: Nov. 17, 2019 (online), Earliest Review Date [without image]: Oct. 19, 2019 (online), <https://www.amazon.com/dp/B07ZHHCNNK/ref=sspa_dk_detail_2?spLa=ZW5jenlwdGVkUXVhbGlmaWVyPUEzN1BSRDhBRMks3MVZTJmVuY3J5cHRlZiEkaPUEwODQ2ODQ4MTMzV0wxUEhYUFBRSSZlbnNyeXB0ZWZlZiEkaPUEwMzA5NzU5M0dXS1dITTNVUTFSQSZ3aWRnZXROYW1IPXNwX2RldGFpbDlmYWN0aW9uPWNsaWNrUmVkaXJlY3QmZG9Ob3Rmb2dDbGljaz10cnVI&th=1#customerReviews>.*
 “Cytac MOLLE Holster Adapter for Magazine Holders”, <https://www.airsoftstation.com/cytac-molle-holster-adapter-for-magazine-holders/> (Accessed: Nov. 13, 2020).
 “Orpaz MOLLE Holster Adapter Attaches to all Orpaz Holsters and Pouches” <https://www.walmart.com/ip/Orpaz-MOLLE-Holster-Adapter-Attaches-to-all-Orpaz-Holsters-and-Pouches/107922439> (Accessed: Nov. 13, 2020).
 “APS Injection Molded MOLLE Compatible Belt Loop Adapter for APS Shotgun Caddy Systems” <https://www.evike.com/products/59371/> (Accessed: Nov. 13, 2020).

* cited by examiner

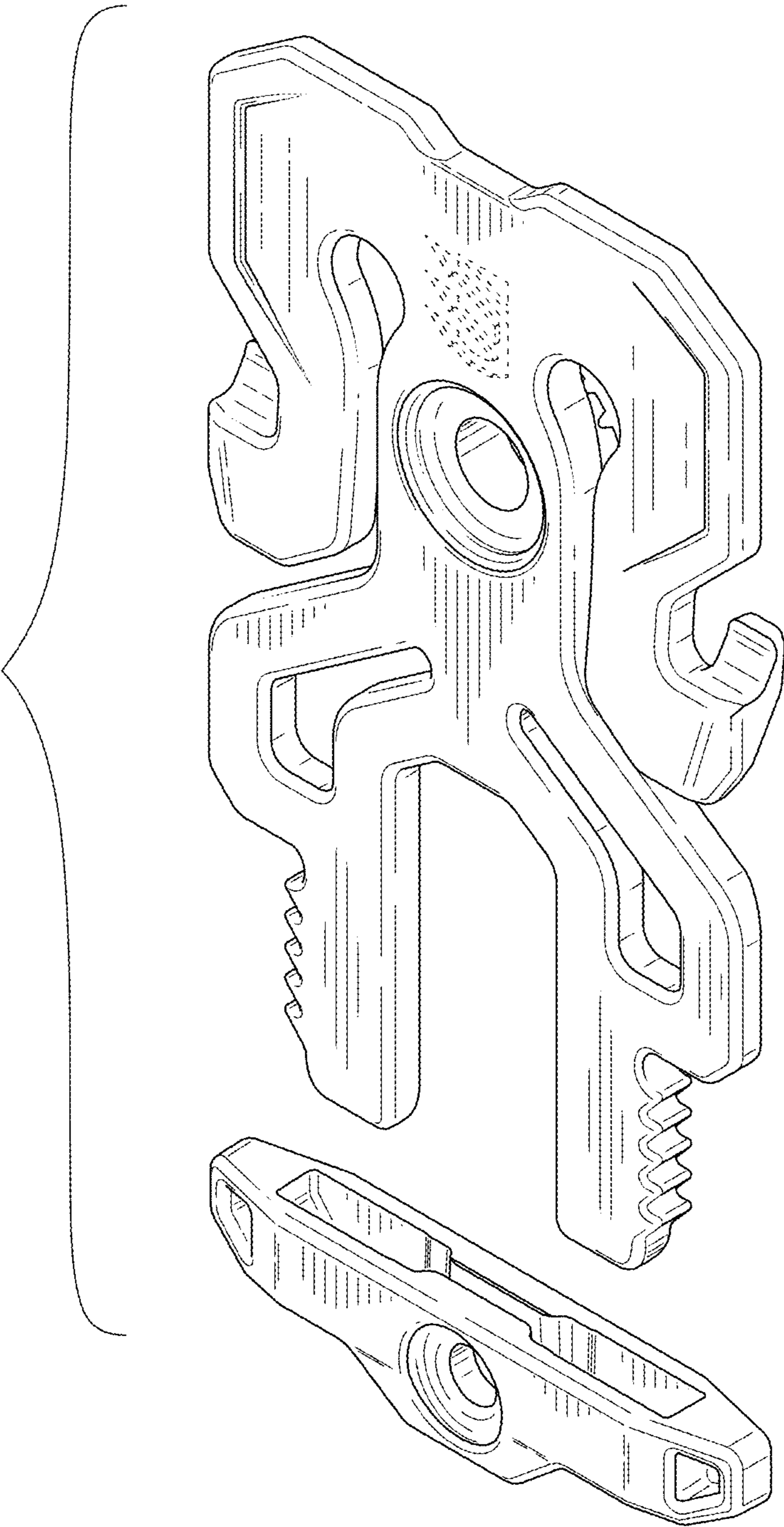


FIG. 1

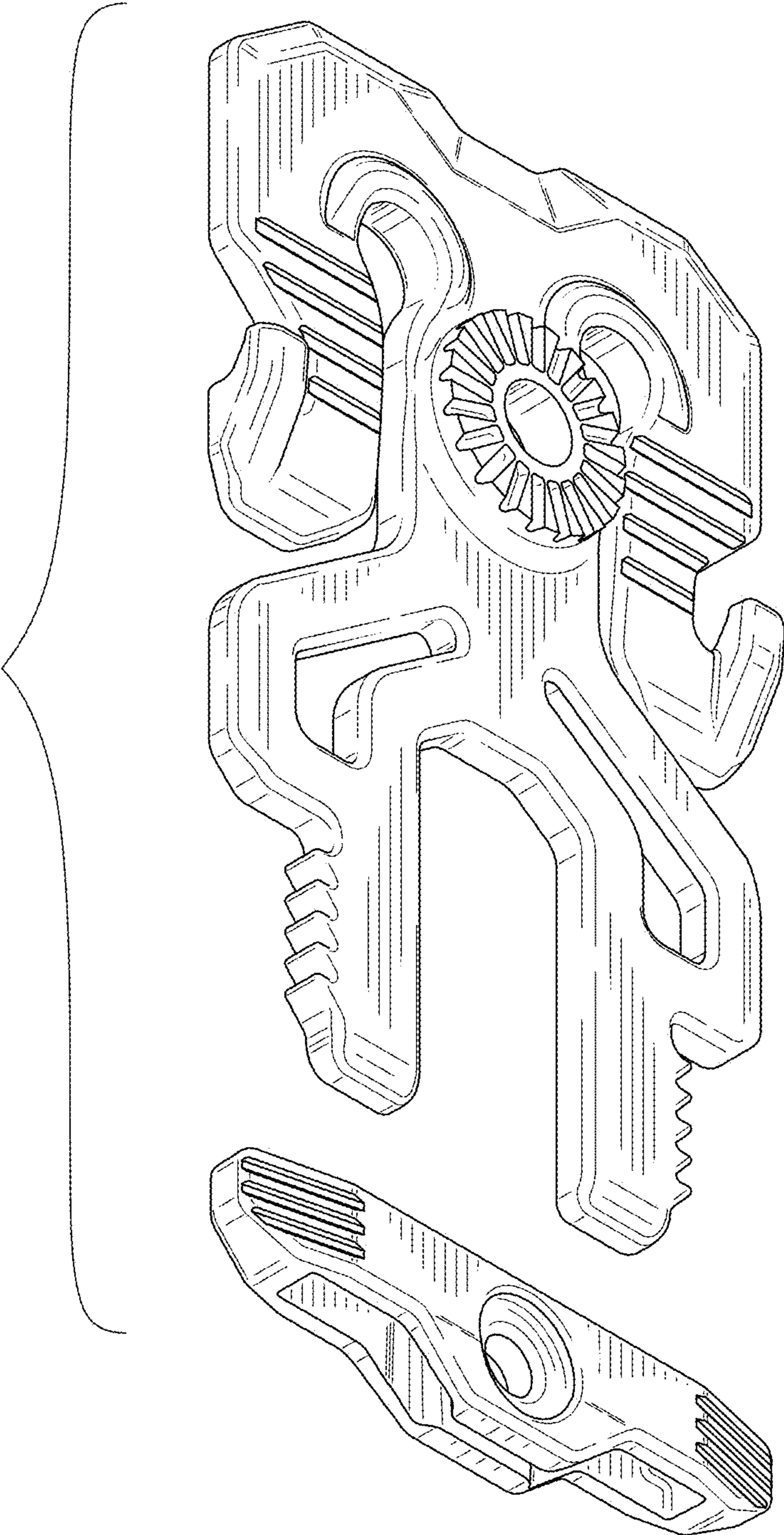


FIG. 2

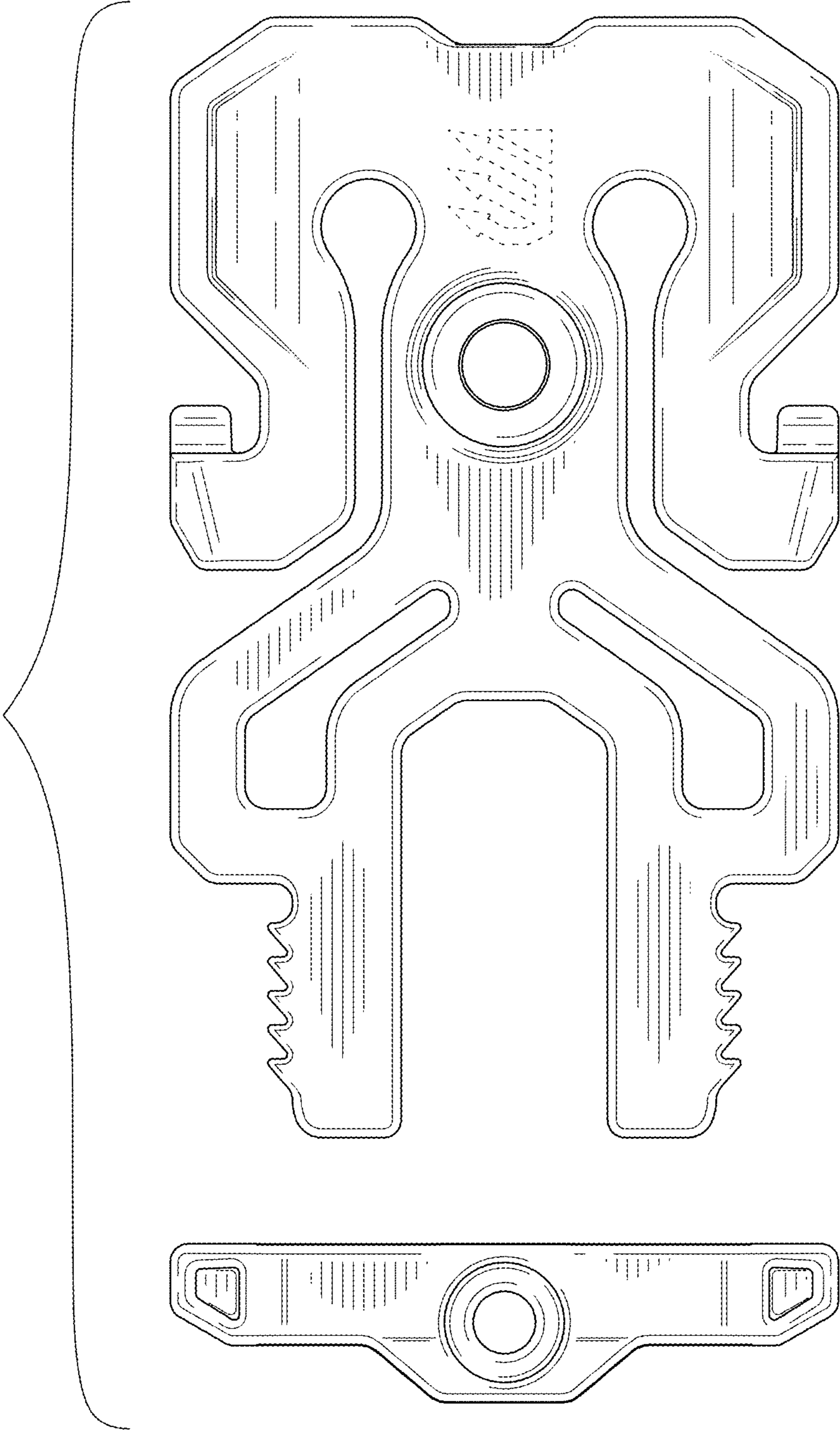


FIG. 3

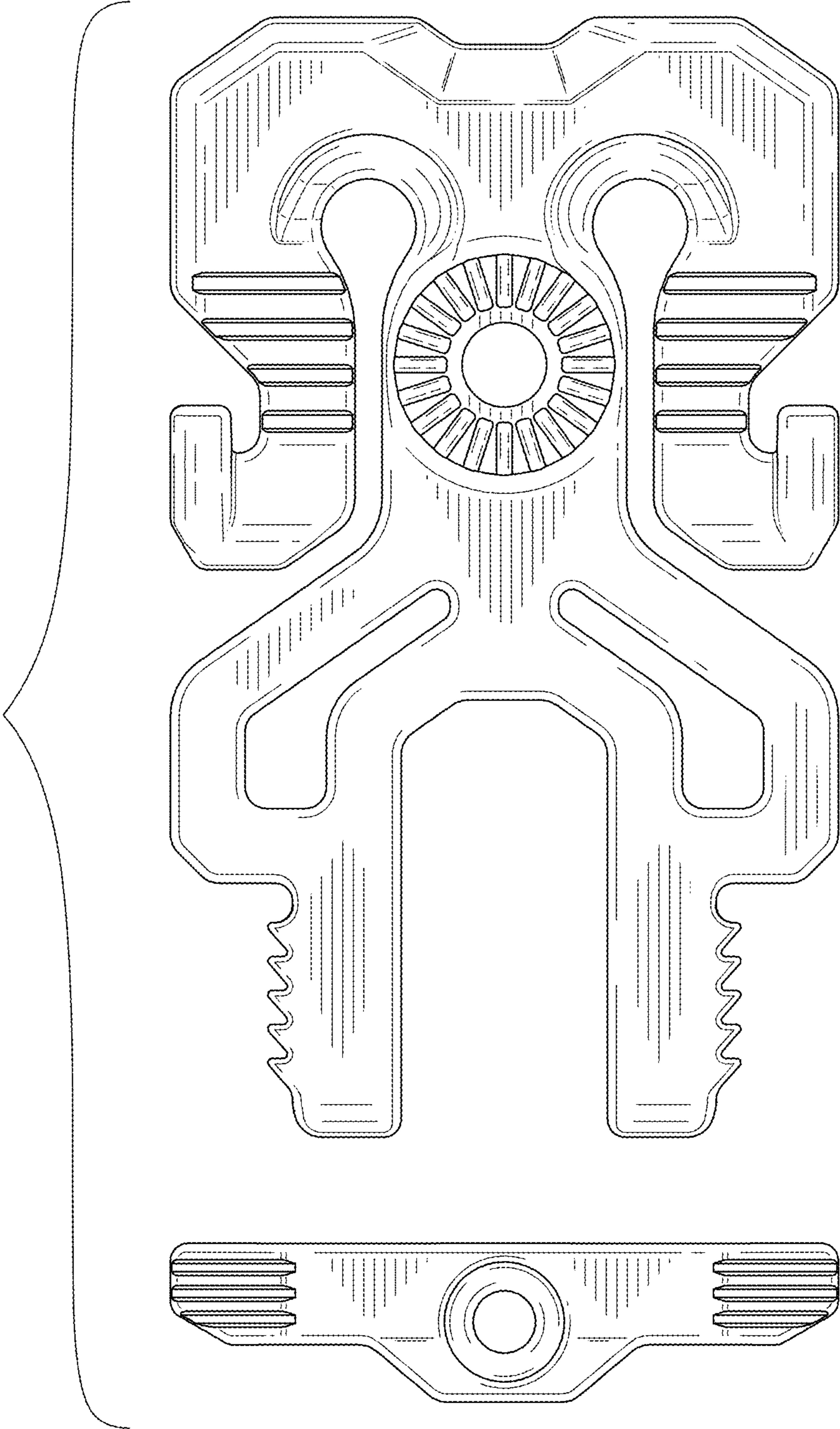


FIG. 4

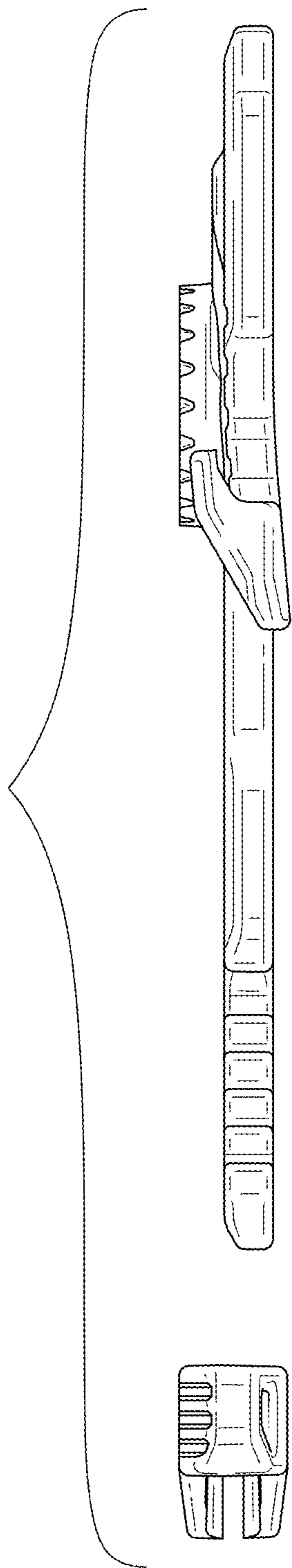


FIG. 5

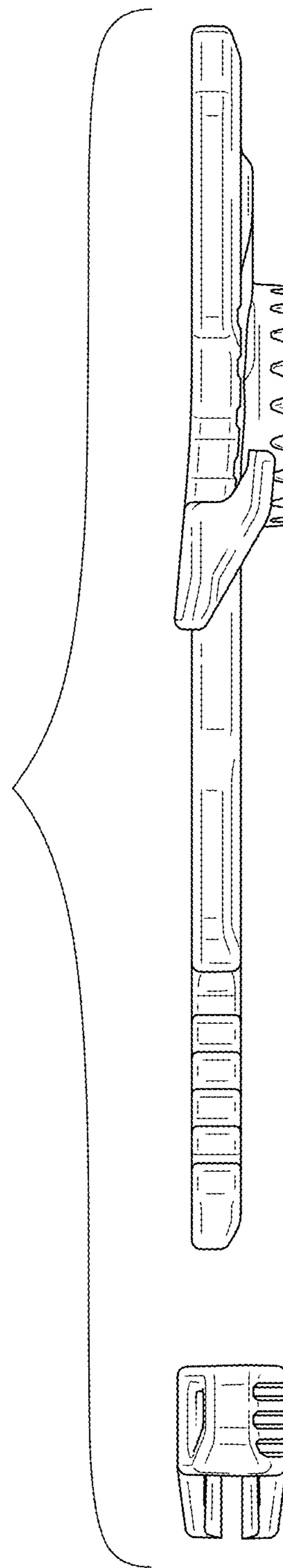


FIG. 6

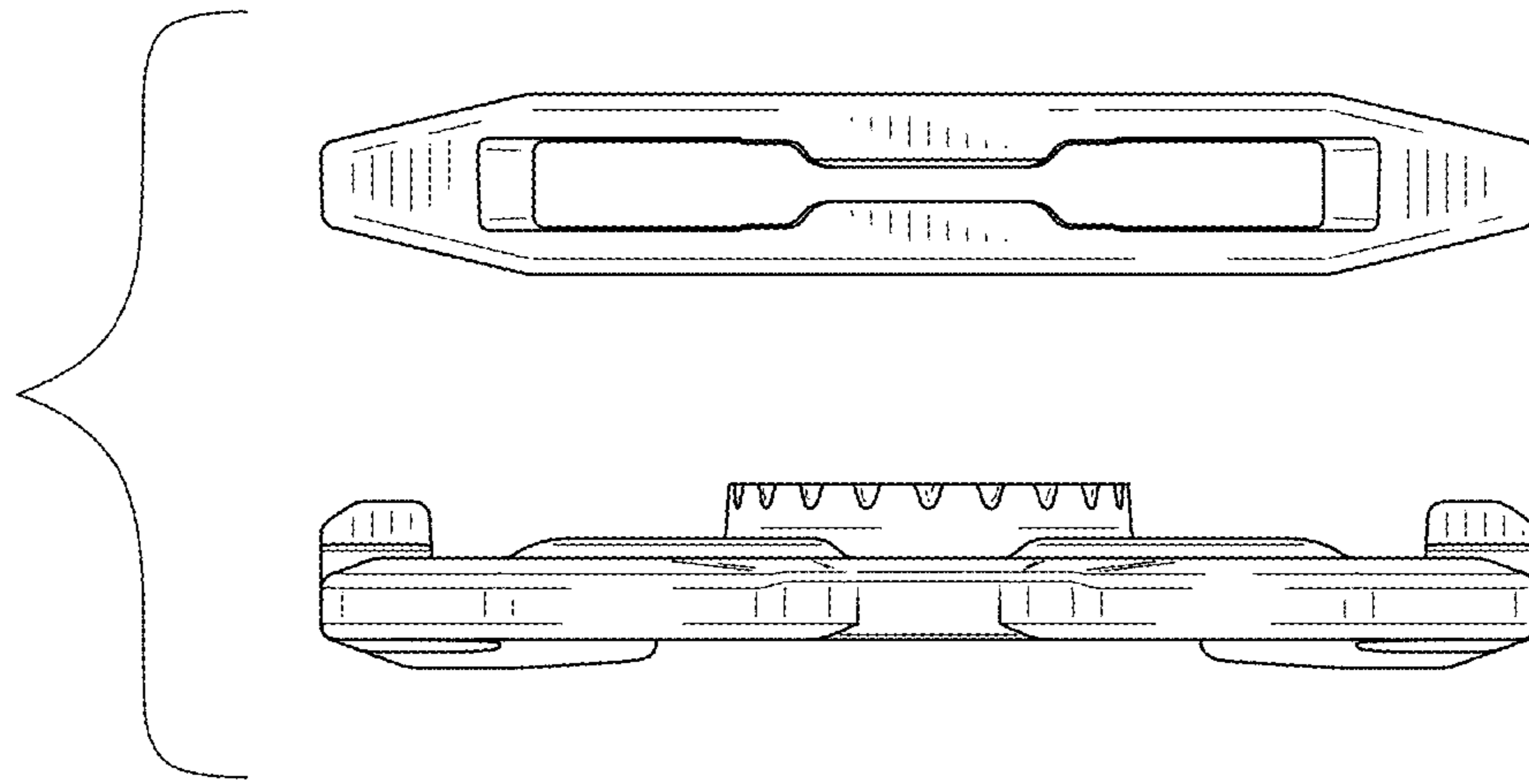


FIG. 7

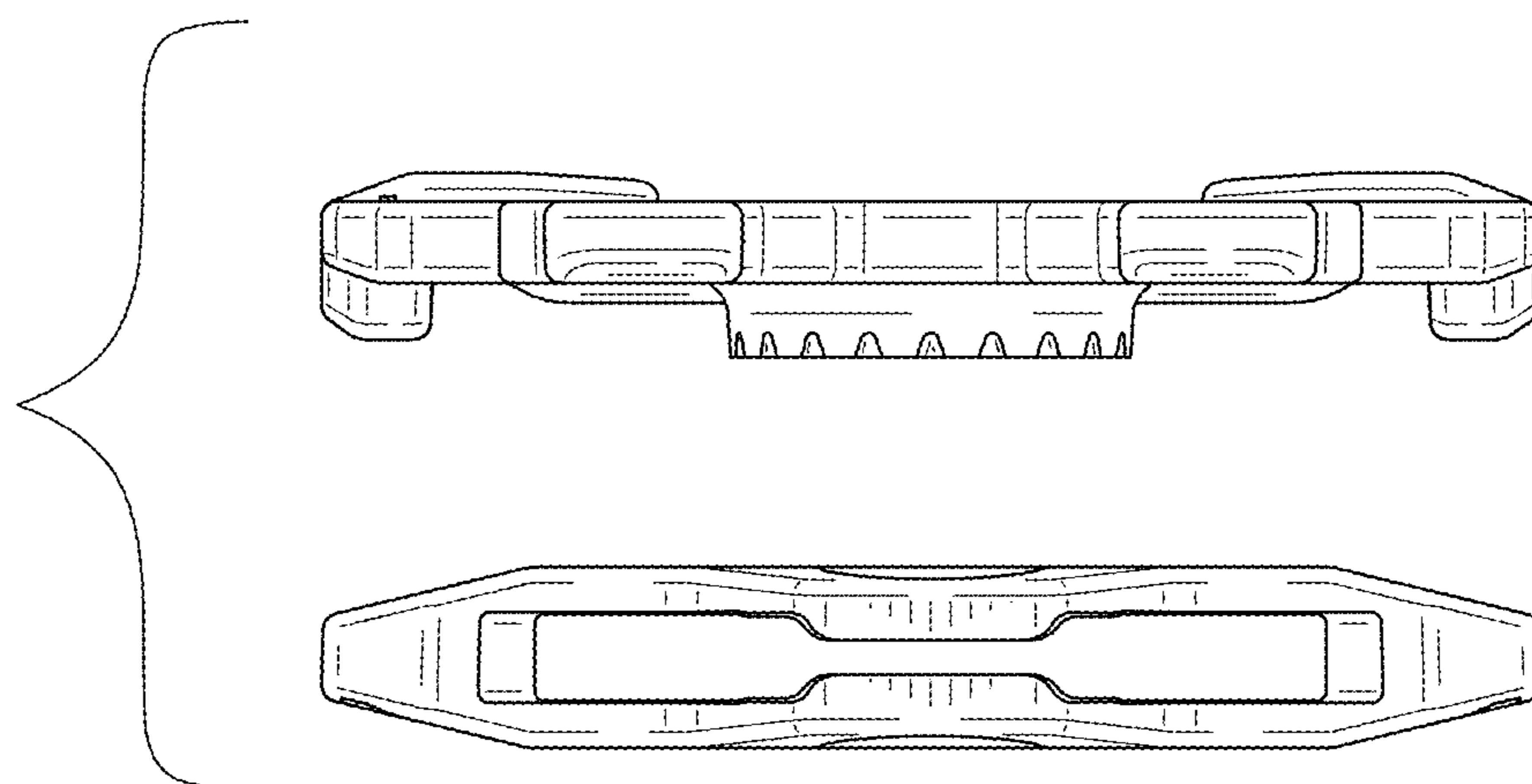


FIG. 8