



US00D950942S

(12) **United States Design Patent** (10) **Patent No.:** **US D950,942 S**
Kao (45) **Date of Patent:** **** May 10, 2022**

(54) **KEYCHAIN**
(71) Applicant: **Wen-Chun Kao**, Taipei (TW)
(72) Inventor: **Wen-Chun Kao**, Taipei (TW)
(**) Term: **15 Years**
(21) Appl. No.: **29/739,289**
(22) Filed: **Jun. 24, 2020**
(51) **LOC (13) Cl.** **03-01**
(52) **U.S. Cl.**
USPC **D3/208**
(58) **Field of Classification Search**
USPC D3/201, 207, 208, 209, 210, 211, 212;
D14/480.1, 480.2, 480.3, 480.4, 480.5,
D14/480.6, 480.7, 484.1
CPC A44B 15/00; Y10T 70/8676
See application file for complete search history.

2011/0237099 A1* 9/2011 Ni H05K 5/0278
439/142
2012/0001813 A1* 1/2012 Lin H01Q 1/44
343/720
2015/0109725 A1* 4/2015 Lin H05K 5/0278
361/679.31

OTHER PUBLICATIONS

Engraved Custom Leather Keychain, announced Aug. 31, 2017 [online]. [site visited Nov. 3, 2021]. Available from internet, URL: <<https://www.amazon.com/Personalized-Engraved-Custom-Bottle-Keychain/dp/B0758BNTXG/>> (Year: 2017).*

* cited by examiner

Primary Examiner — Kevin K Rudzinski
Assistant Examiner — Amber J Rabie
(74) *Attorney, Agent, or Firm* — Karin L. Williams; Alan D. Kamrath; Mayer & Williams PC

(56) **References Cited**

U.S. PATENT DOCUMENTS

D438,373 S * 3/2001 Riley D3/207
D506,056 S * 6/2005 Burns D3/207
D556,751 S * 12/2007 Rambosek D14/480.6
D680,733 S * 4/2013 Aprea D3/208
D749,600 S * 2/2016 Emami D14/480.6
D754,141 S * 4/2016 Billington D14/480.6
D806,715 S * 1/2018 Chen H01R 13/447
D14/480.6
D819,958 S * 6/2018 LiCalsi D3/207
D826,550 S * 8/2018 Filakousky D3/207
D838,100 S * 1/2019 Wang D3/207
D846,558 S * 4/2019 Roberts D14/480.6
D862,068 S * 10/2019 Justiss D3/207
D863,319 S * 10/2019 Roberts D14/480.6
D863,320 S * 10/2019 Roberts H01Q 1/44
D14/480.6
2010/0304586 A1* 12/2010 Ma H01R 13/447
439/131

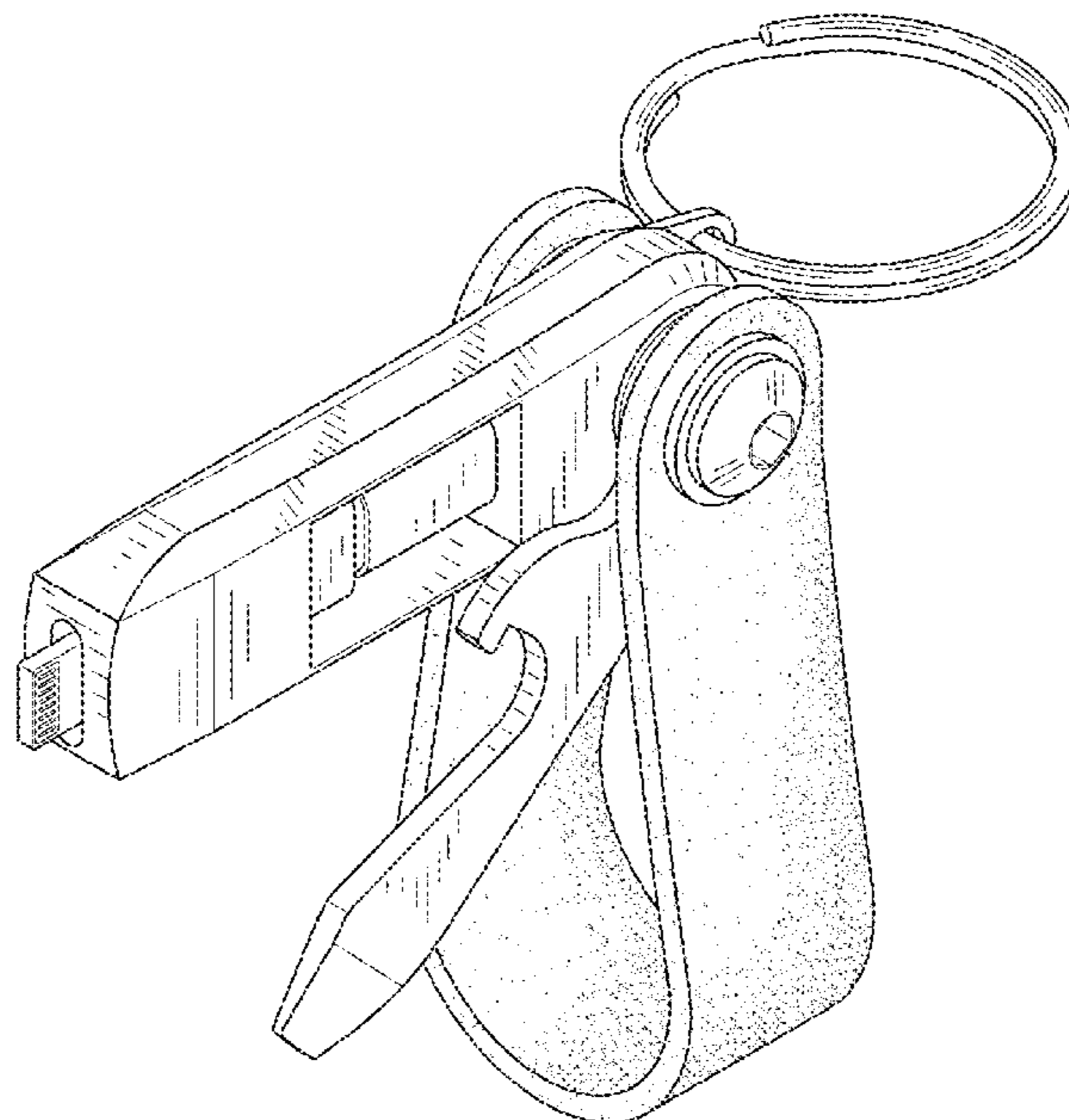
(57) **CLAIM**

The ornamental design for a keychain, as shown and described.

DESCRIPTION

FIG. 1 is a perspective view of a keychain which is partially unfolded showing my new design;
FIG. 2 is a front view thereof;
FIG. 3 is a rear view thereof;
FIG. 4 is a left view thereof;
FIG. 5 is a right view thereof;
FIG. 6 is a top view thereof;
FIG. 7 is a bottom view thereof; and,
FIG. 8 is a perspective view of a folded keychain depicted in FIG. 1.
The stipple shading illustrates surfaces contrast in materials.

1 Claim, 7 Drawing Sheets



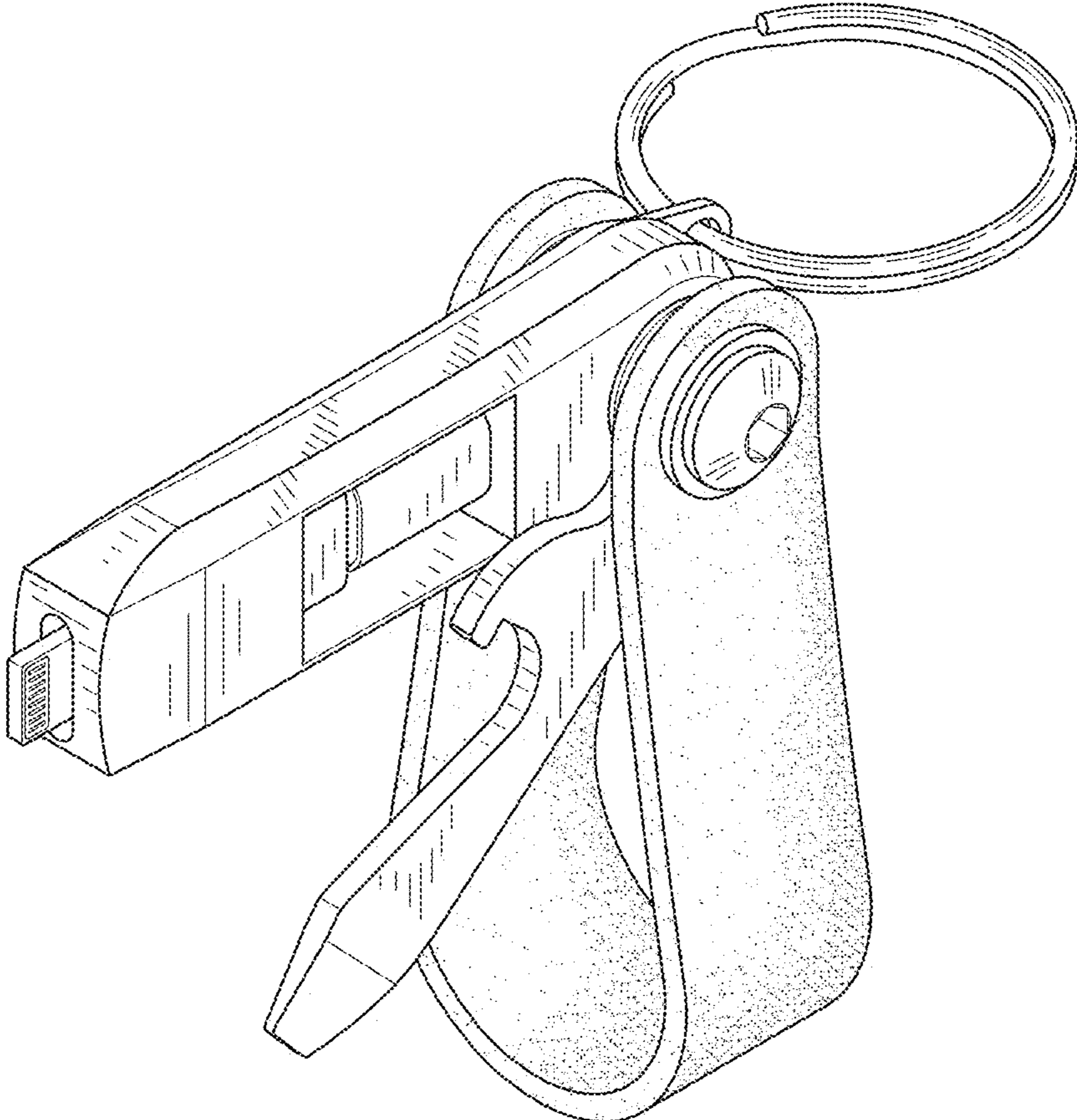


FIG. 1

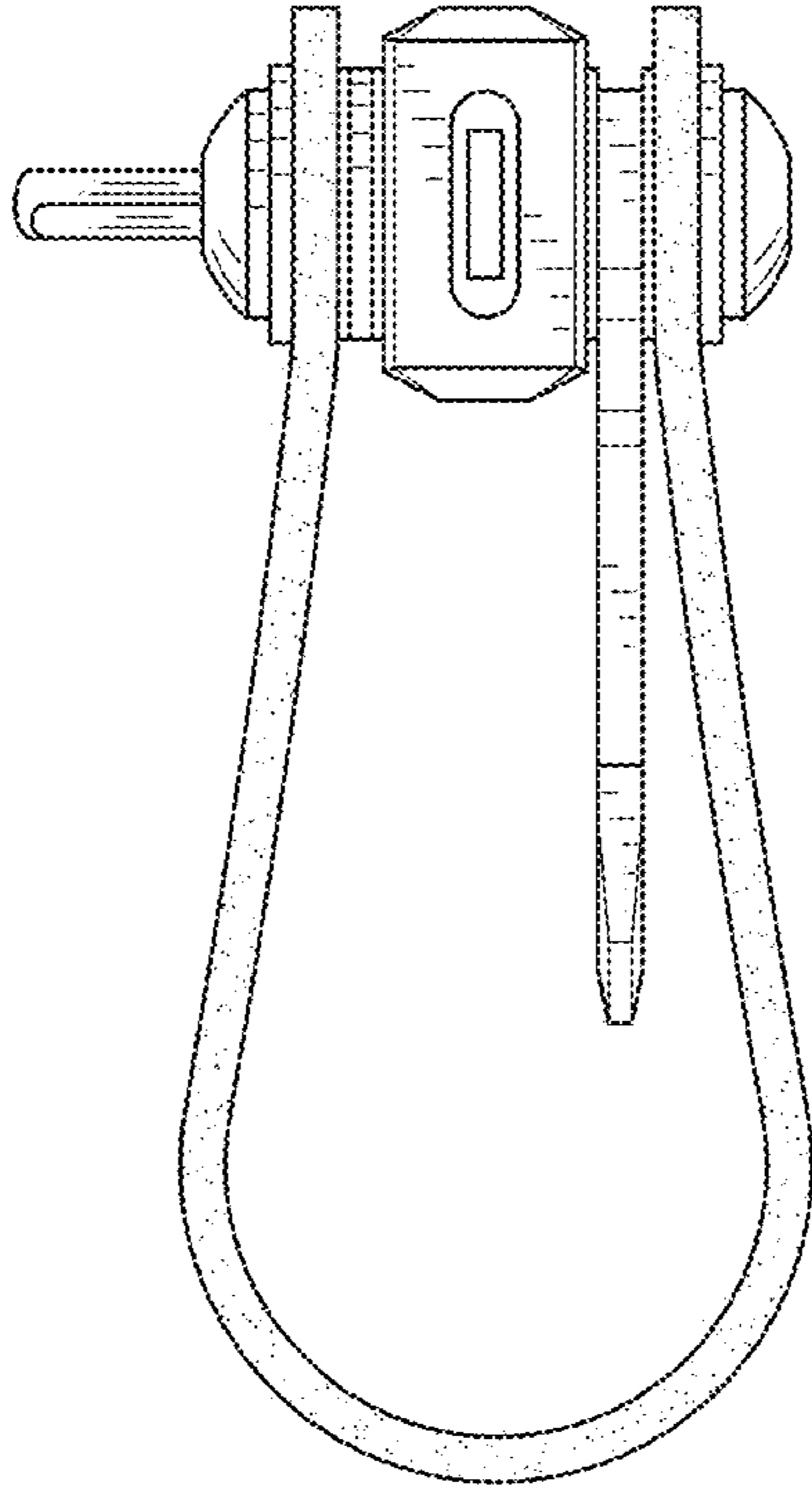


FIG. 2

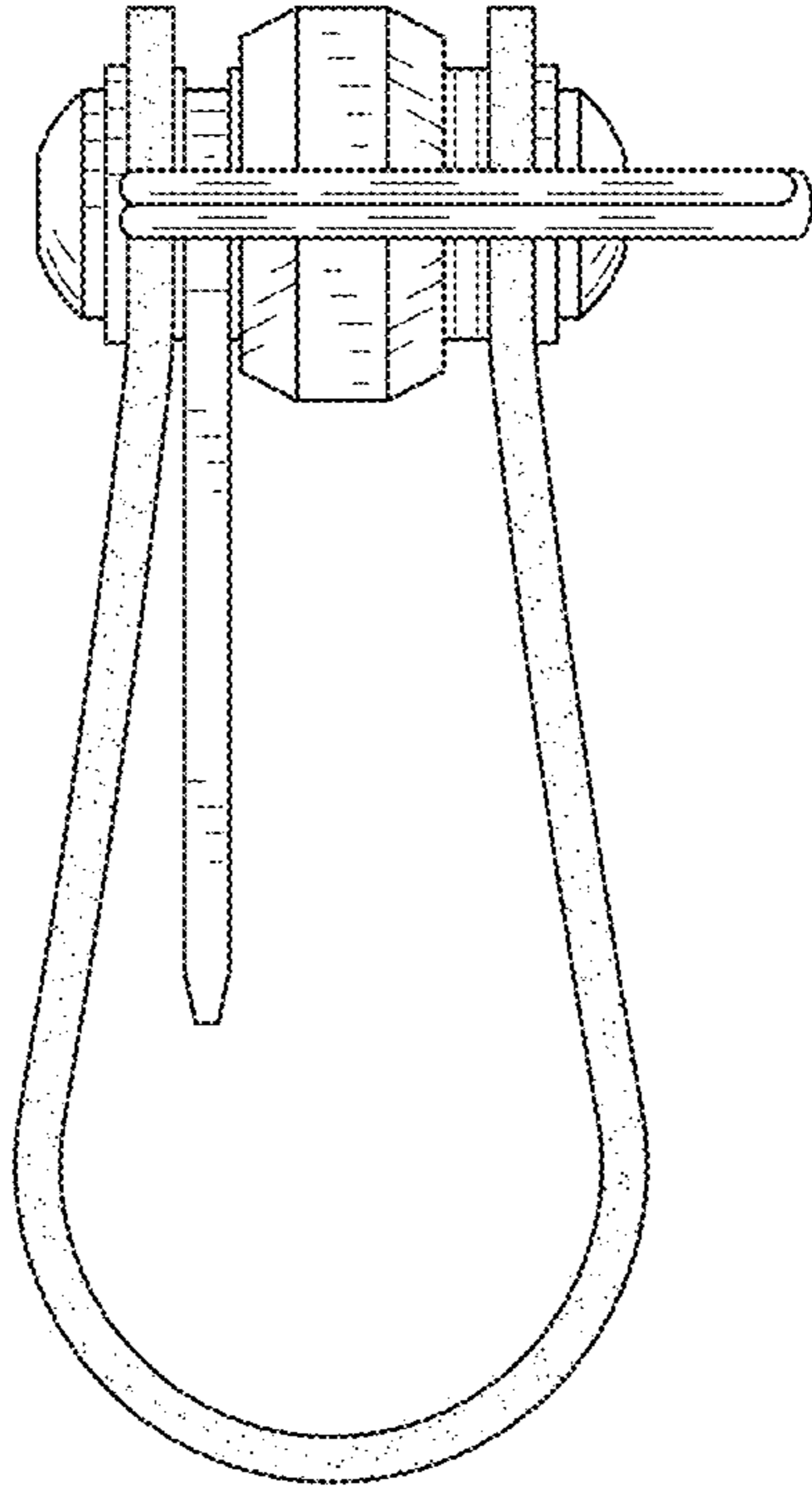


FIG. 3

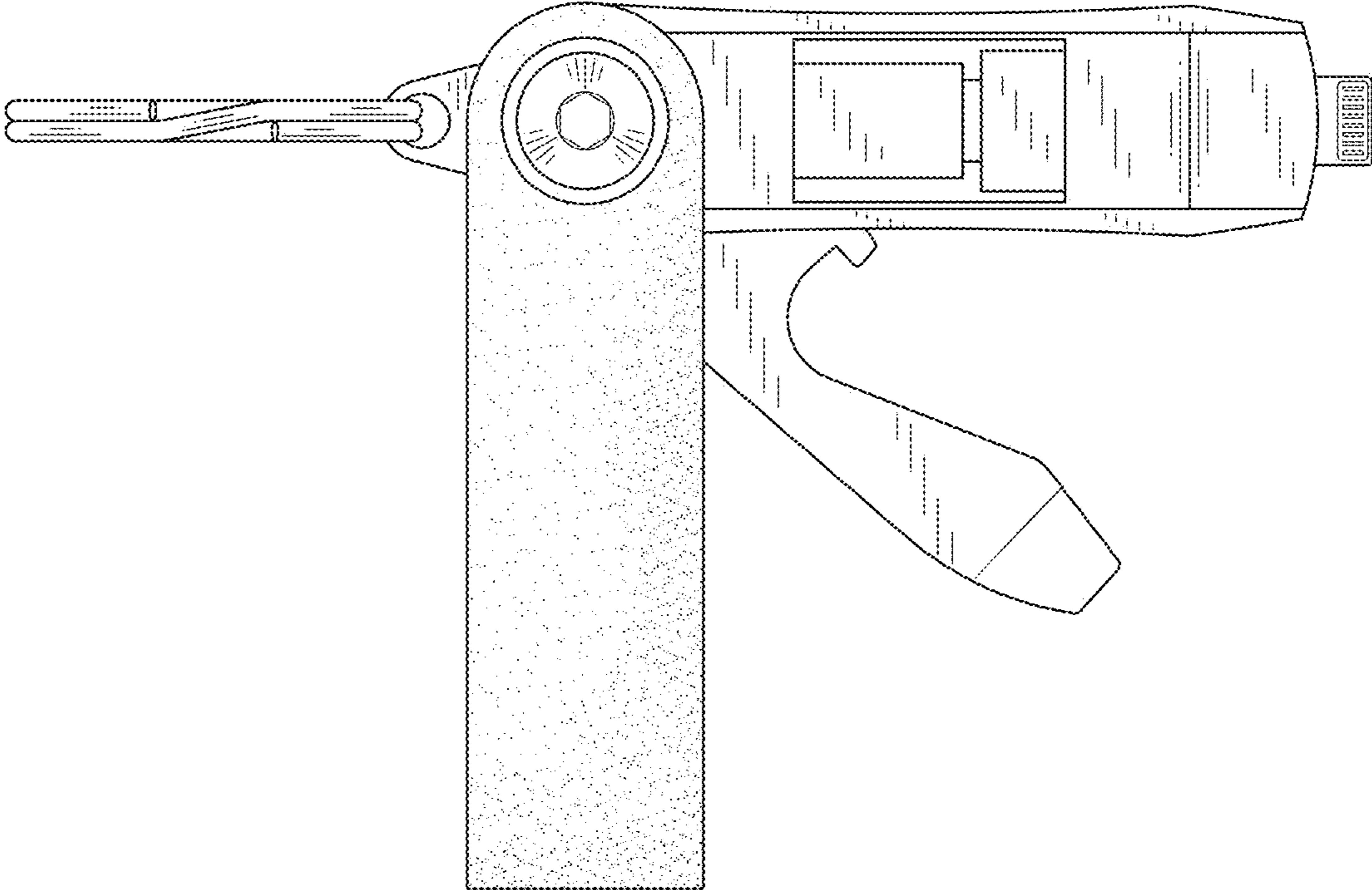


FIG. 4

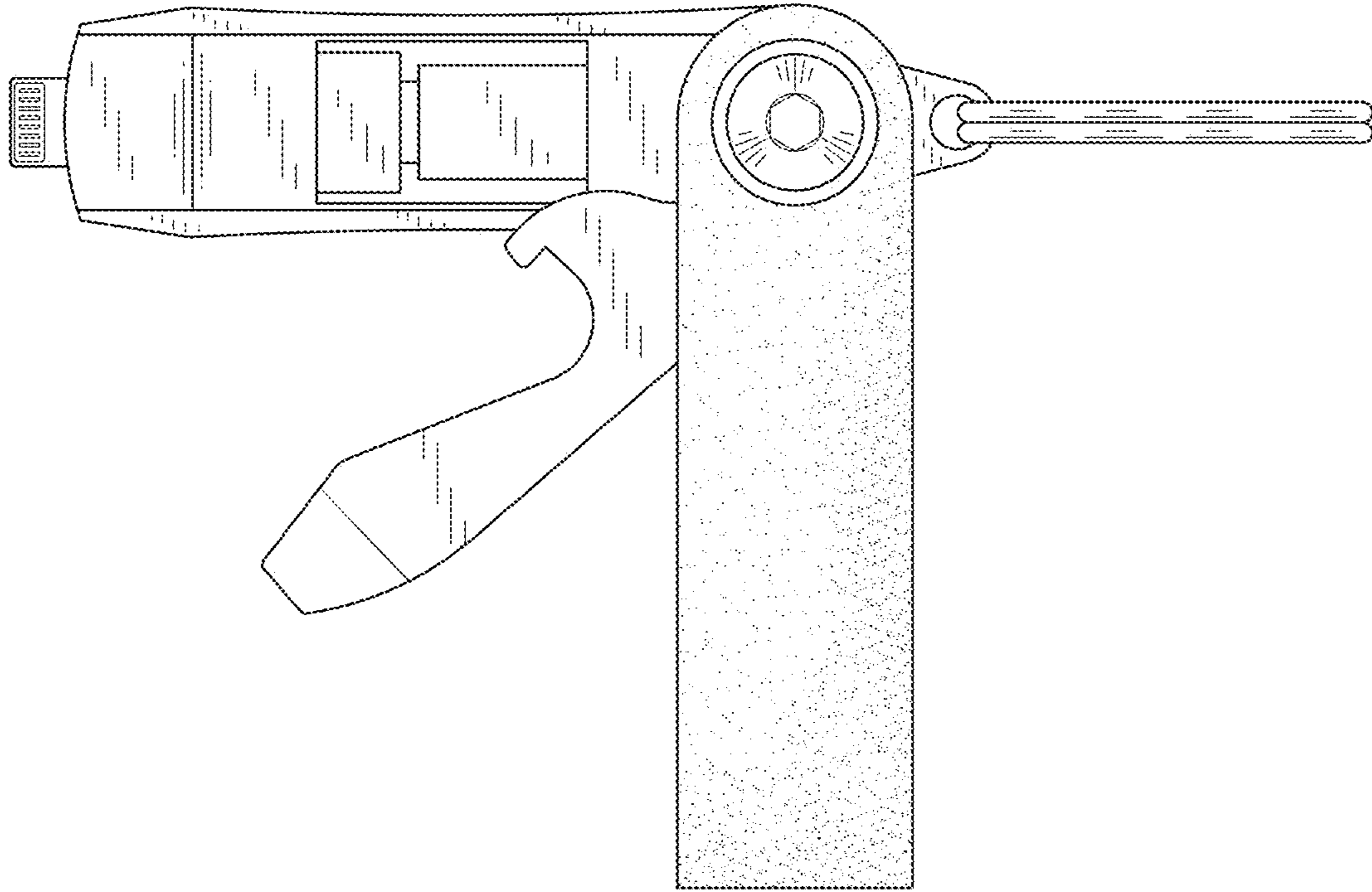


FIG. 5

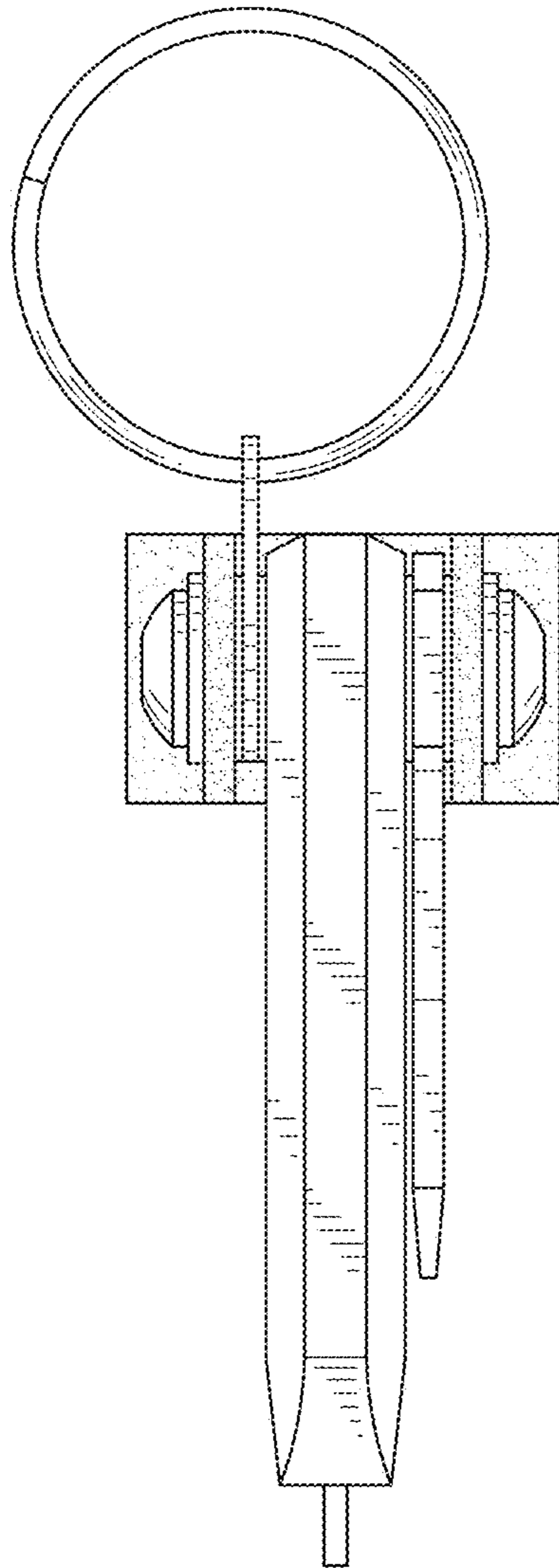


FIG. 6

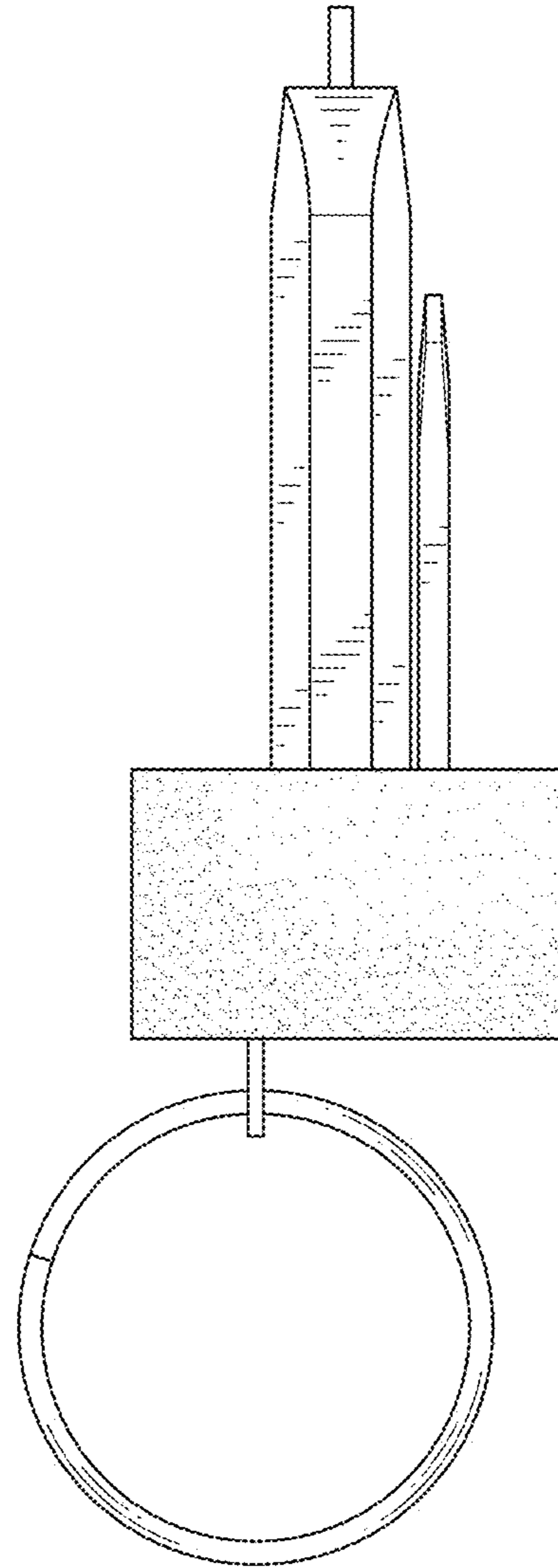


FIG. 7

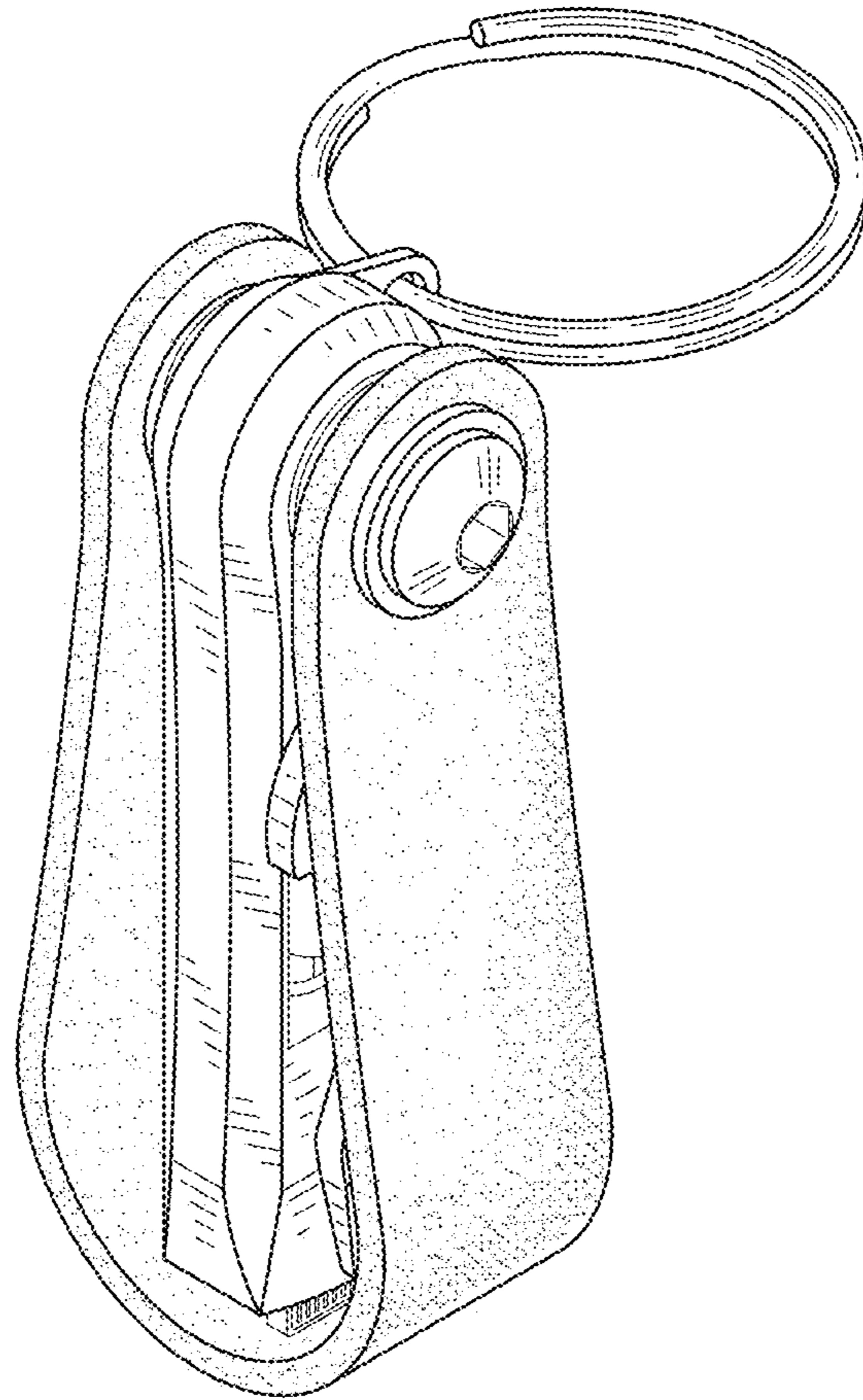


FIG. 8