



US00D950941S

(12) **United States Design Patent**
Jiang

(10) **Patent No.:** **US D950,941 S**

(45) **Date of Patent:** **** May 10, 2022**

(54) **COSMETIC BAG**

(71) Applicant: **Meili Jiang**, Fuzhou (CN)

(72) Inventor: **Meili Jiang**, Fuzhou (CN)

(**) Term: **15 Years**

(21) Appl. No.: **29/787,122**

(22) Filed: **Jun. 4, 2021**

(51) **LOC (13) Cl.** **03-01**

(52) **U.S. Cl.**
USPC **D3/205**

(58) **Field of Classification Search**
USPC D3/205, 315
CPC B25H 3/003; B25H 3/02
See application file for complete search history.

(56) **References Cited**

U.S. PATENT DOCUMENTS

2,556,066	A *	6/1951	Cline	A45C 11/008
					190/111
D335,896	S *	5/1993	Evenson	D19/83
D359,163	S *	6/1995	Summerfield	D3/205
D423,055	S *	4/2000	Demsien	D3/206
D450,921	S *	11/2001	Kirkland	D3/206
D455,005	S *	4/2002	Wolf	D3/205
D486,634	S *	2/2004	Fonfeder	D3/206
D487,188	S *	3/2004	Fonfeder	D3/206
D492,106	S *	6/2004	Fonfeder	D3/206
D609,003	S	2/2010	Hay		
D632,079	S *	2/2011	Spencer	D3/301
D713,640	S	9/2014	Mayo		
D866,180	S *	11/2019	Johan	D3/265

D879,462	S *	3/2020	Si	D3/206
D897,667	S *	10/2020	Taylor	D3/206
D913,758	S *	3/2021	Diener	D7/709
D917,098	S *	4/2021	Huang	D3/901
D919,891	S *	5/2021	Huang	D3/901
D927,171	S *	8/2021	Xie	D3/206
D927,180	S *	8/2021	Lopez	D3/265
2014/0300259	A1 *	10/2014	Kim	A45D 29/00
					312/226
2017/0142951	A1 *	5/2017	Hardy	B08B 9/0861

* cited by examiner

Primary Examiner — Charles D Hanson

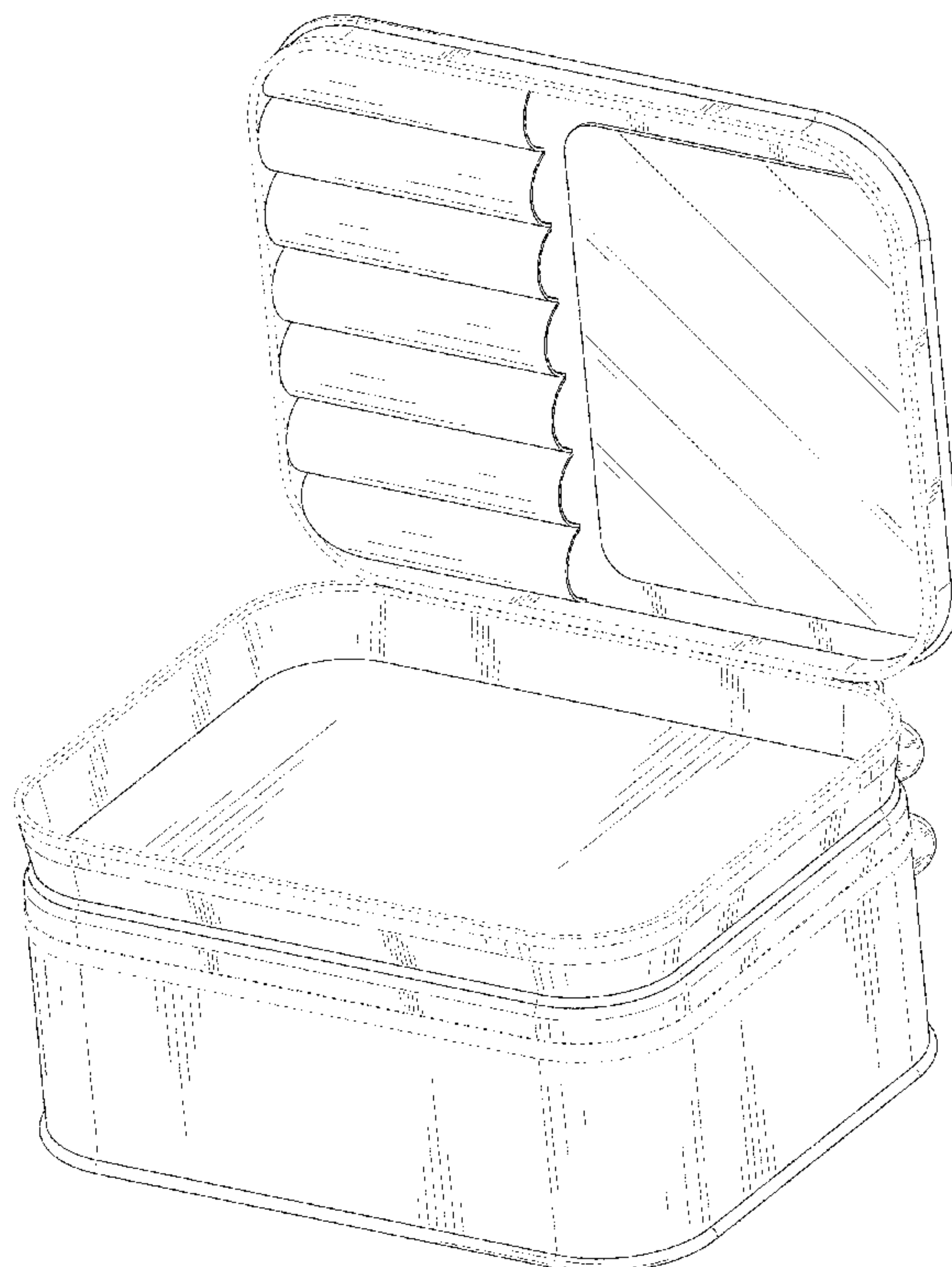
(57) **CLAIM**

The ornamental design for a cosmetic bag, as shown and described.

DESCRIPTION

FIG. 1 is a perspective view of a cosmetic bag showing my new design;
 FIG. 2 is another perspective view thereof;
 FIG. 3 is a front elevational view thereof;
 FIG. 4 is a rear elevational view thereof;
 FIG. 5 is a left side elevational view thereof;
 FIG. 6 is a right side elevational view thereof;
 FIG. 7 is a top plan view thereof;
 FIG. 8 is a bottom plan view thereof;
 FIG. 9 is a perspective view of the cosmetic bag where the cosmetic bag is in a first configuration of use; and,
 FIG. 10 is a perspective view of the cosmetic bag where the cosmetic bag is in a second configuration of use.
 The broken lines in the drawings depict portions of the cosmetic bag that form no part of the claimed design.

1 Claim, 10 Drawing Sheets



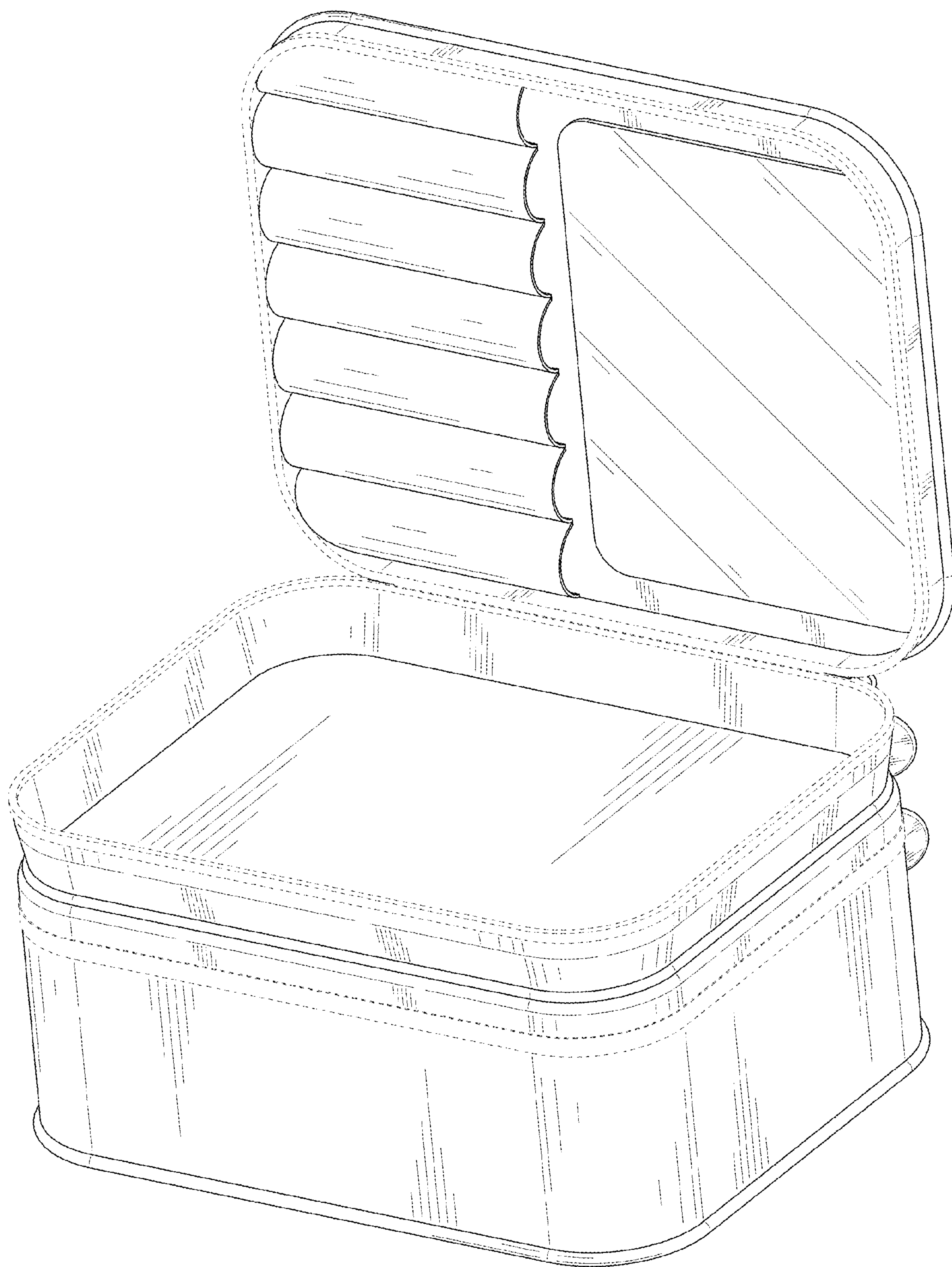


FIG. 1

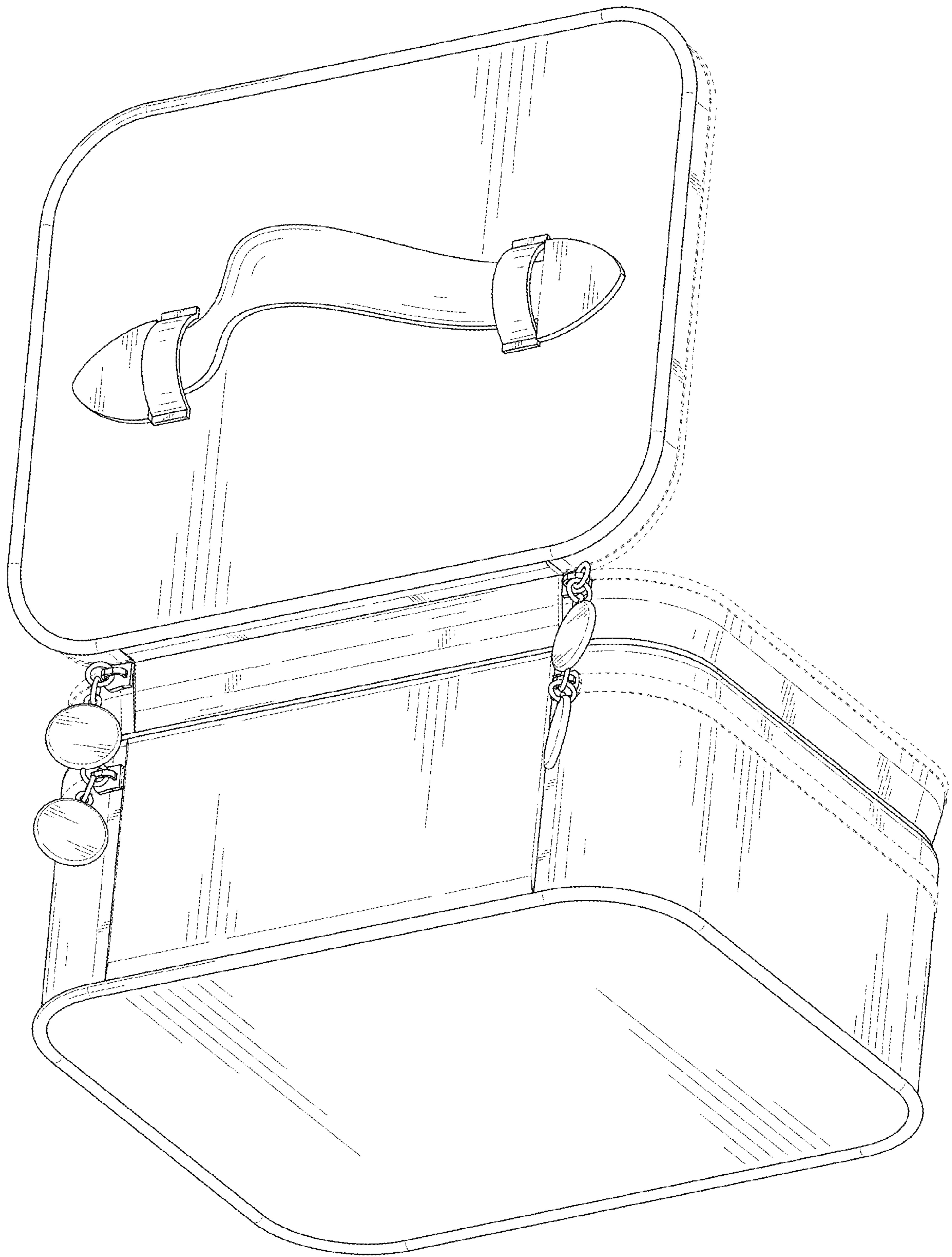


FIG. 2

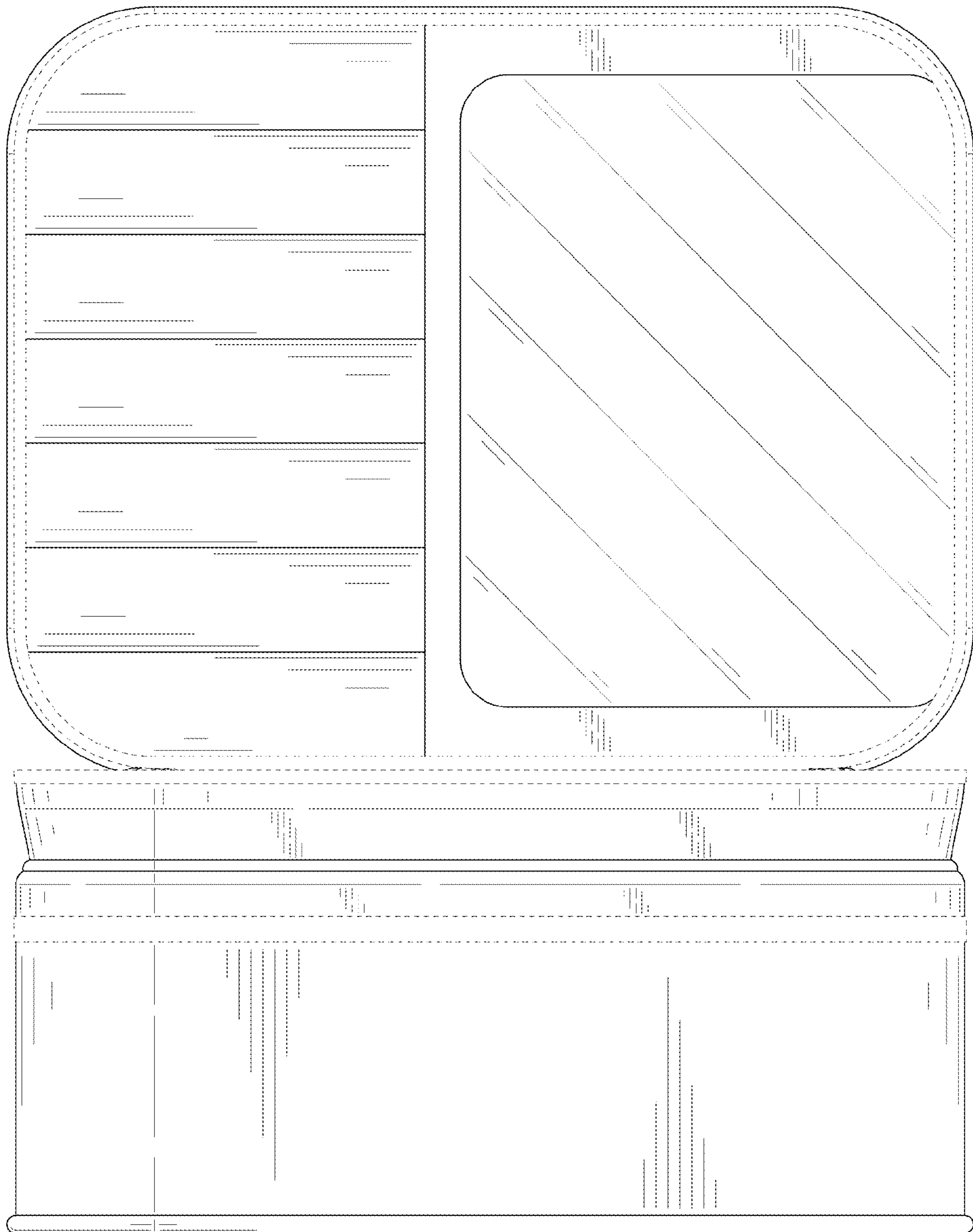


FIG. 3

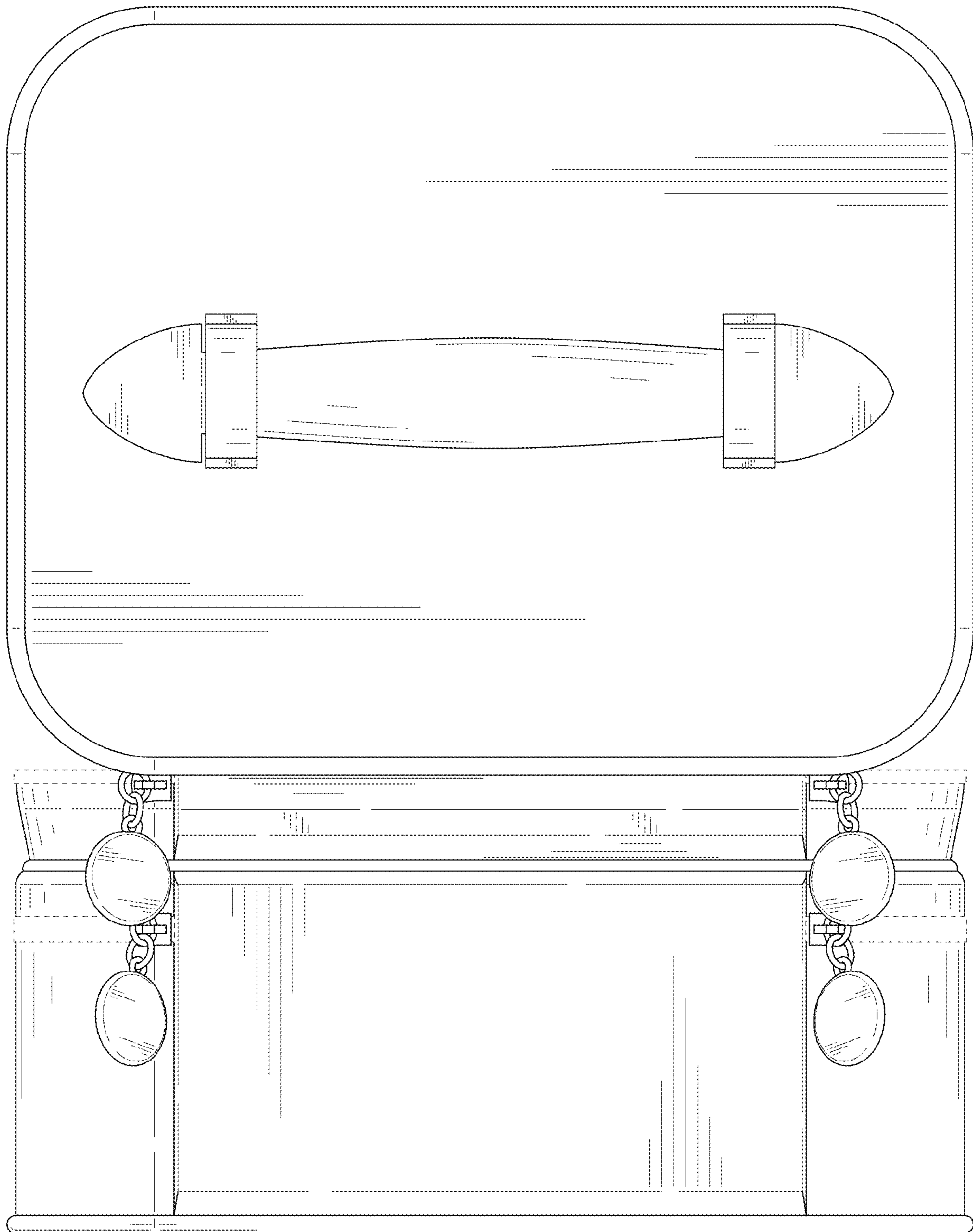


FIG. 4

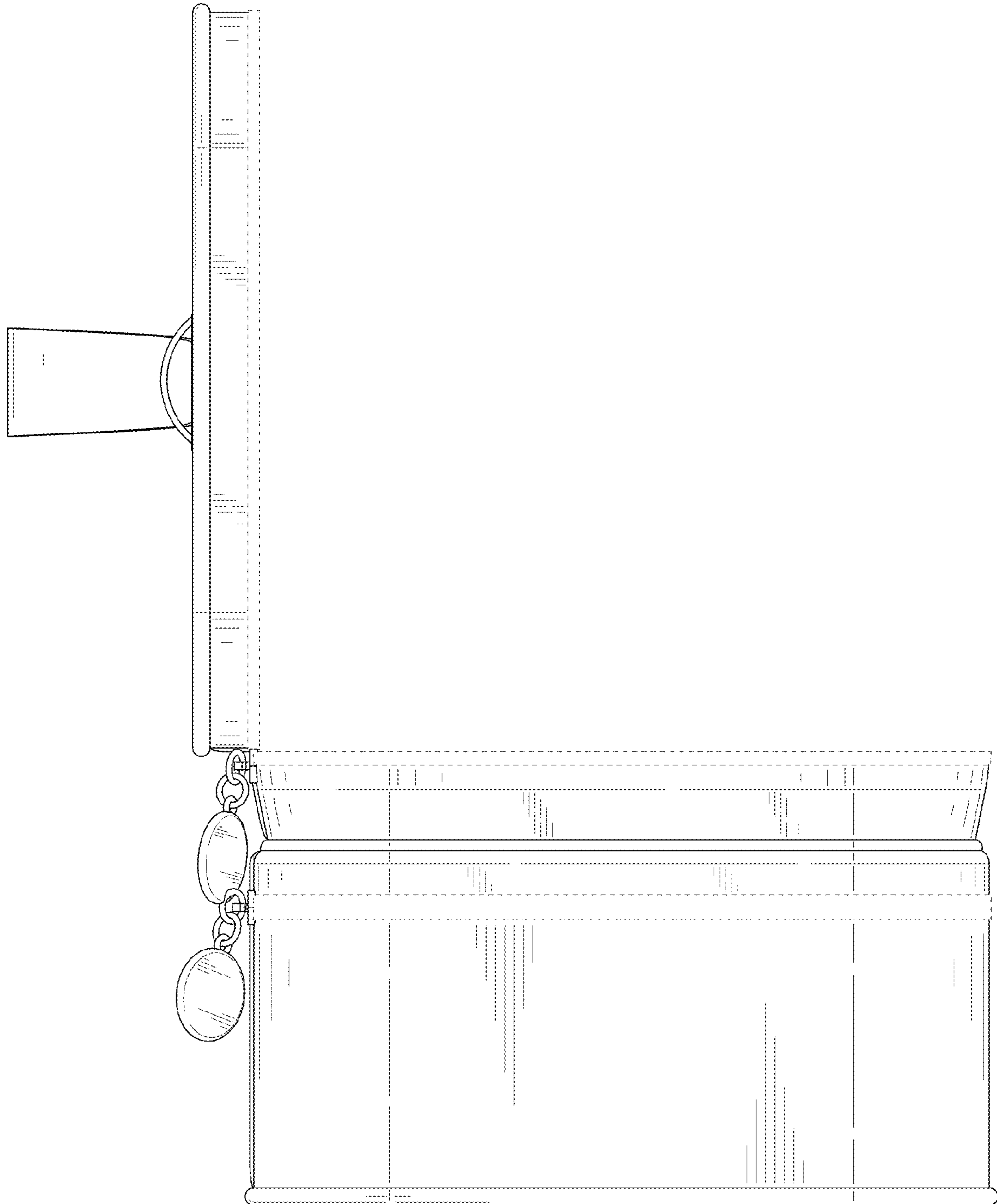


FIG. 5

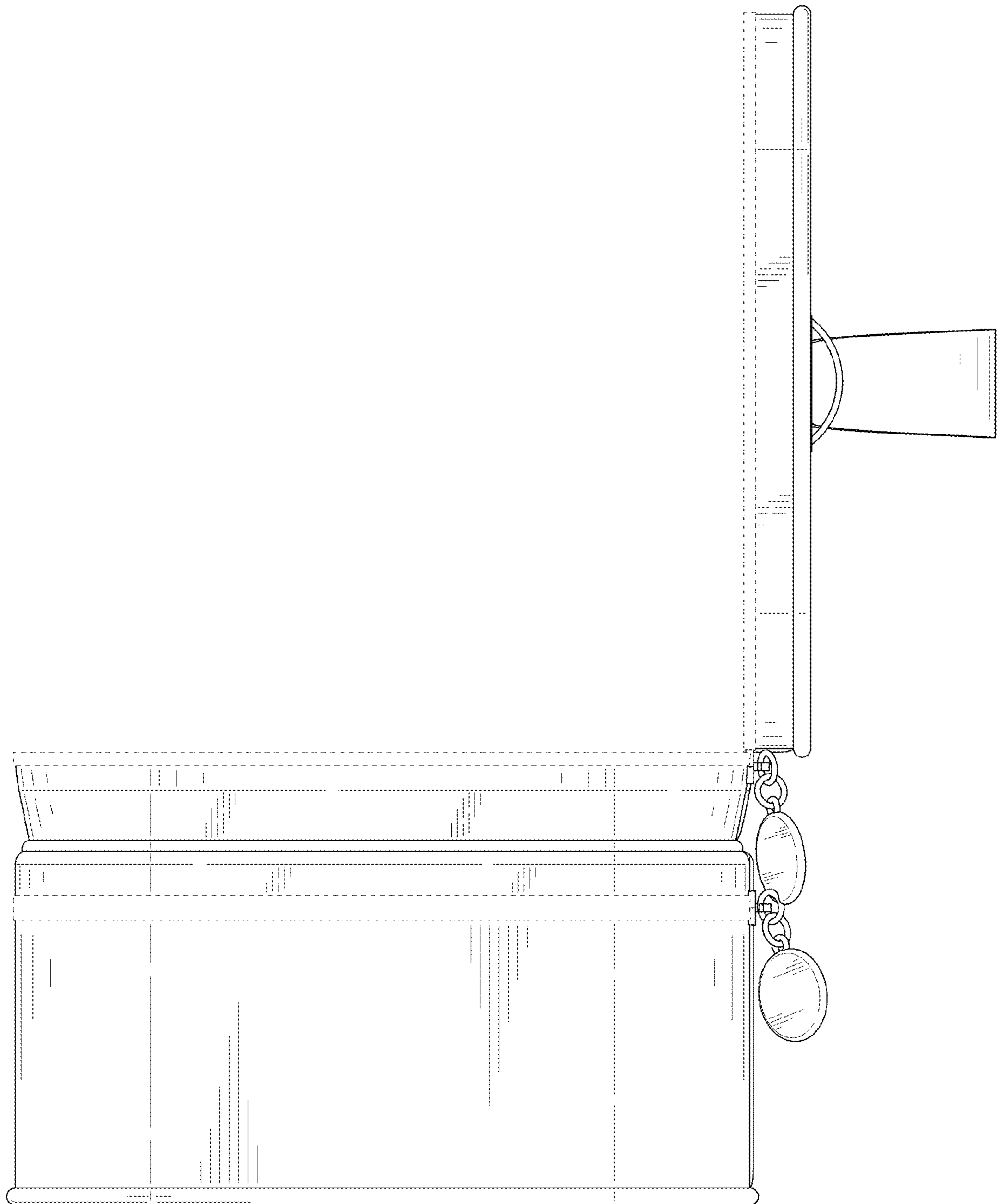


FIG. 6

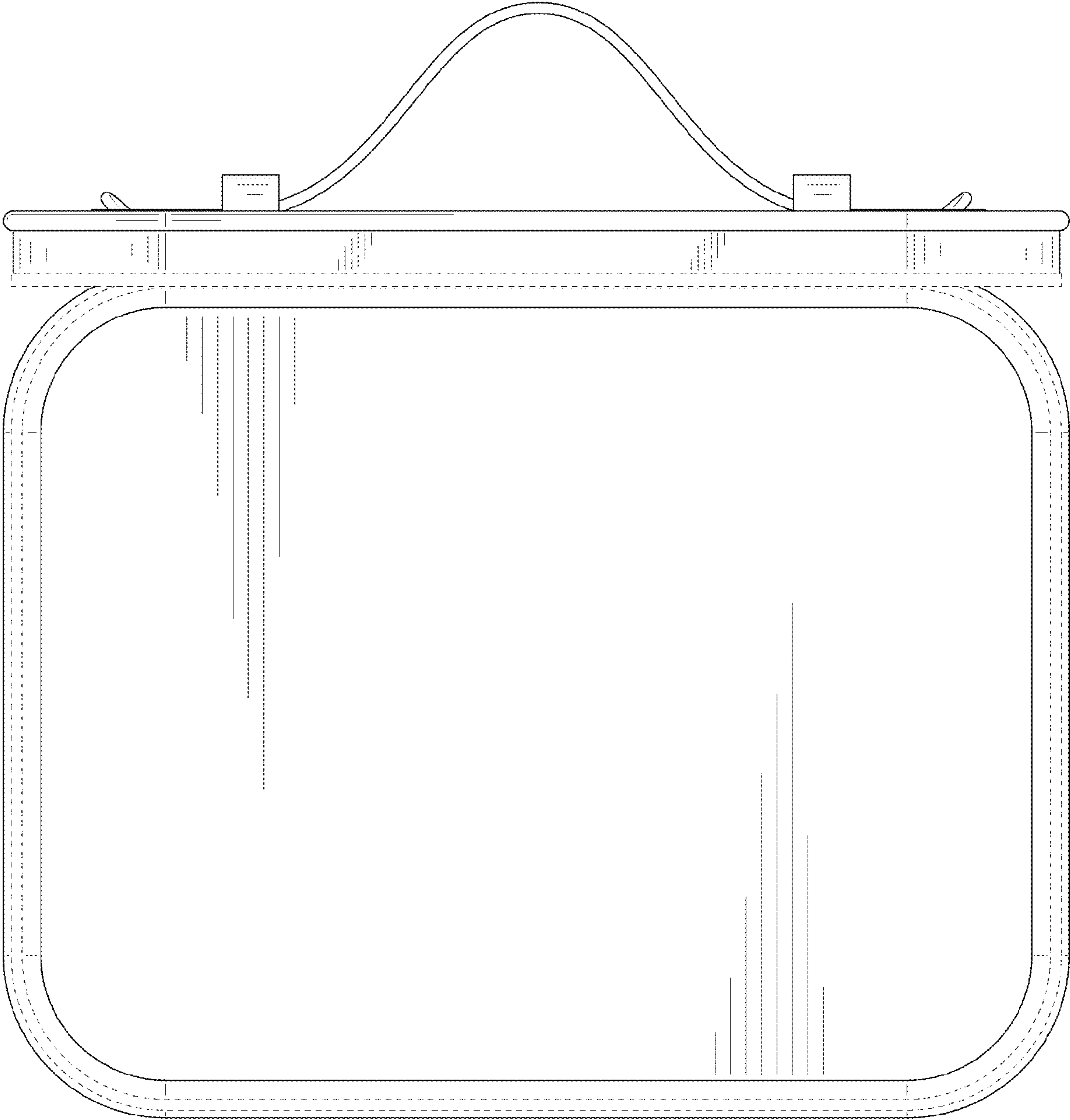


FIG. 7

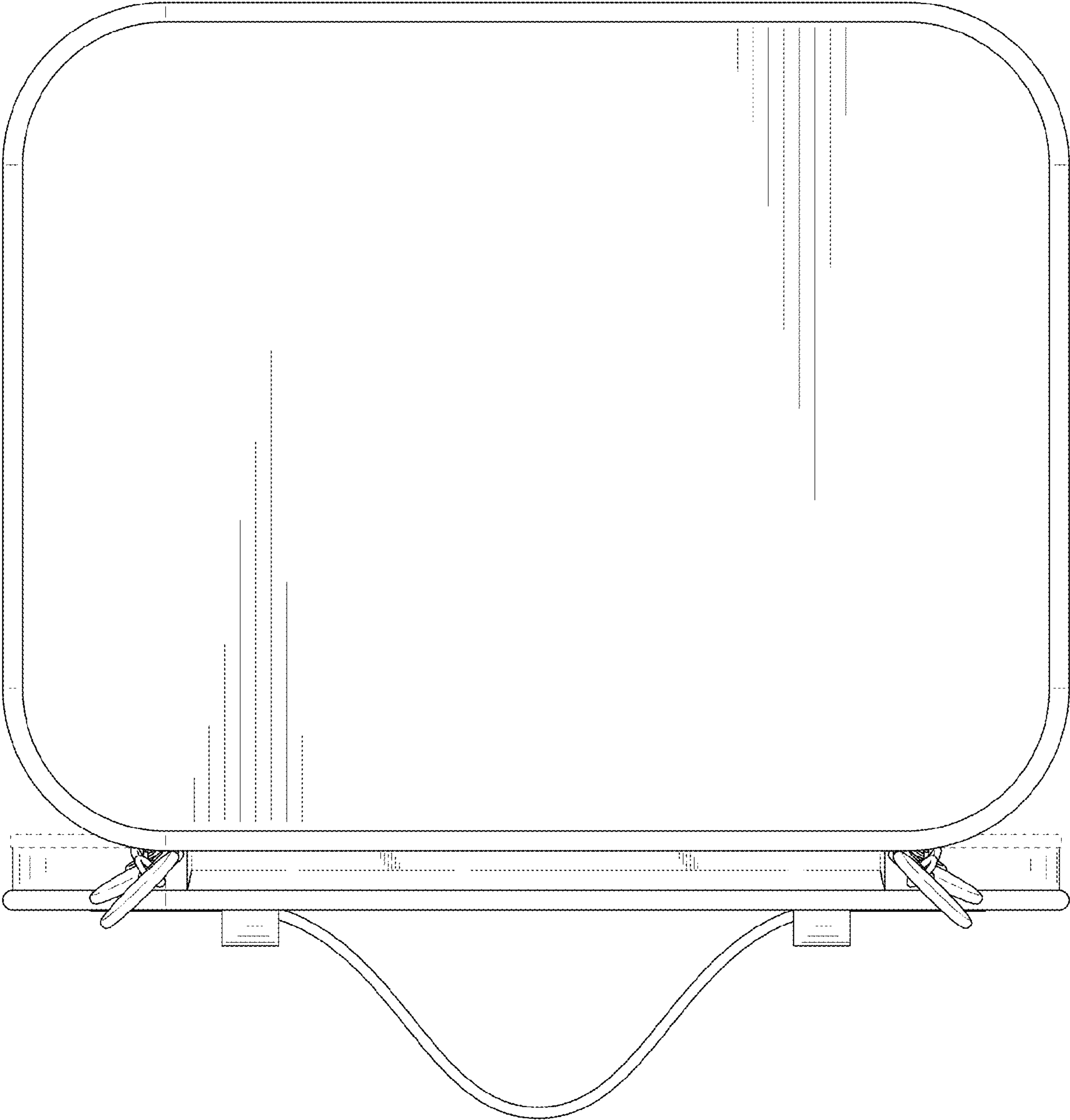


FIG. 8

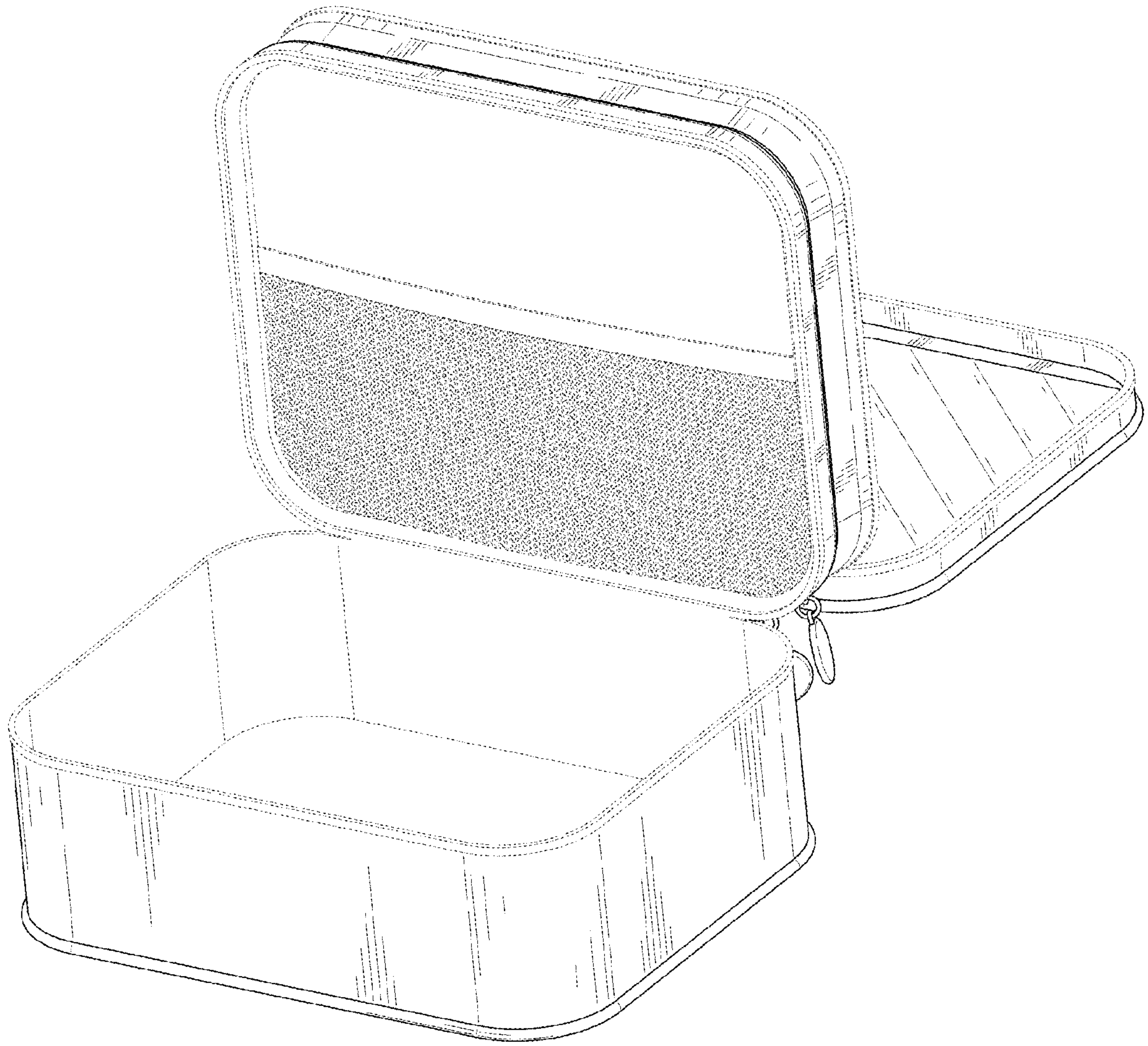


FIG. 9

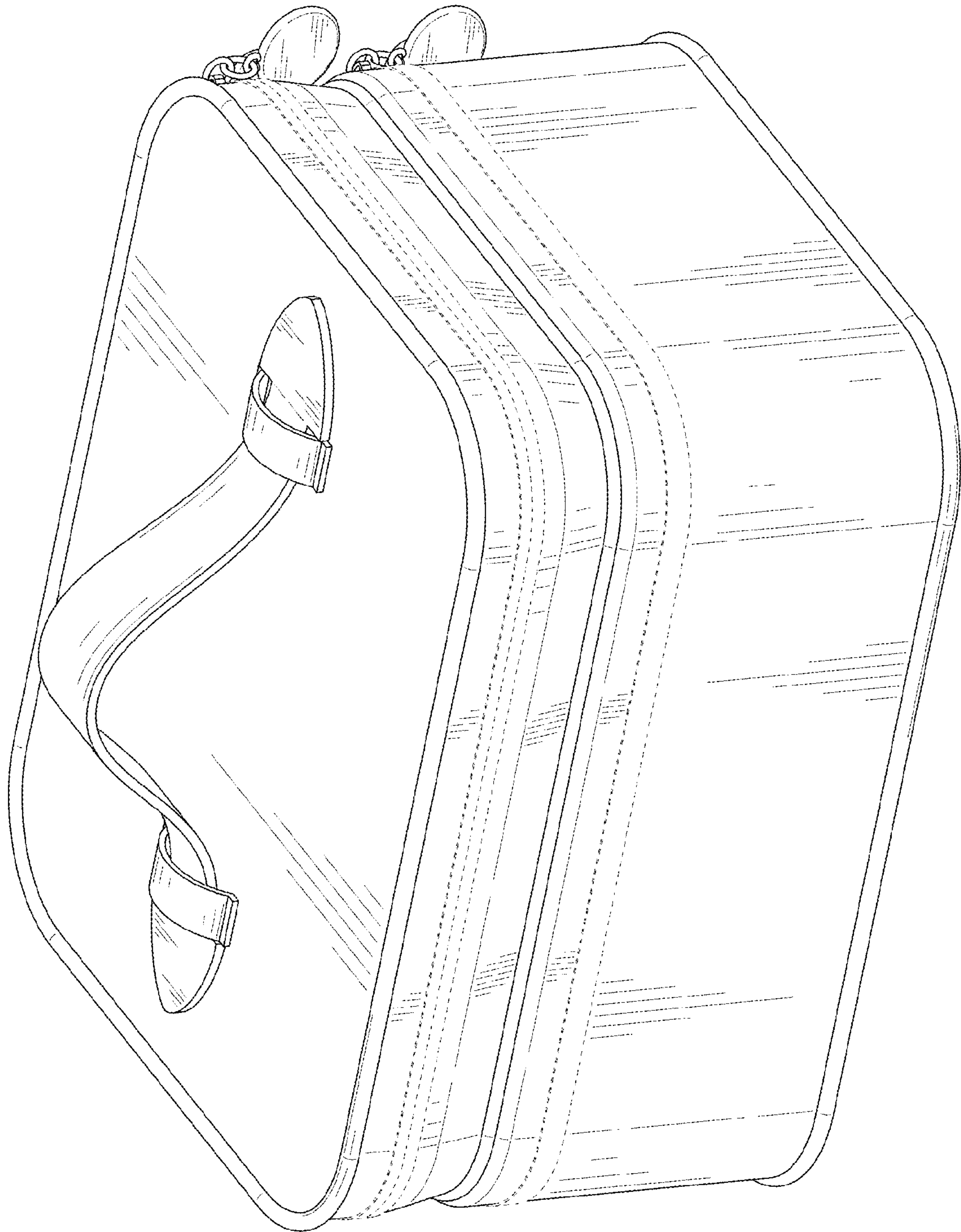


FIG. 10