



US00D950936S

(12) **United States Design Patent**
Holmes

(10) **Patent No.:** **US D950,936 S**

(45) **Date of Patent:** **** May 10, 2022**

- (54) **SHOE**
- (71) Applicant: **NIKE, Inc.**, Beaverton, OR (US)
- (72) Inventor: **Edmund Holmes**, Portland, OR (US)
- (73) Assignee: **NIKE, Inc.**, Beaverton, OR (US)

4,461,288 A * 7/1984 Curtis A43B 3/0073
602/23
D319,680 S 9/1991 Reda
D328,517 S * 8/1992 Hallenbeck D2/978
D337,425 S * 7/1993 Hatfield D2/978
D350,013 S 8/1994 Gitelman
D362,746 S 10/1995 Morris et al.

(Continued)

(**) Term: **15 Years**

FOREIGN PATENT DOCUMENTS

(21) Appl. No.: **29/773,194**

CN 303783371 S 8/2016
CN 304172158 S 6/2017

(22) Filed: **Mar. 8, 2021**

(Continued)

(51) **LOC (13) Cl.** **02-04**

(52) **U.S. Cl.**

USPC **D2/978**

(58) **Field of Classification Search**

USPC D2/896, 902, 905, 907, 911, 943, 946,
D2/969, 973, 976, 978

CPC A43B 1/00; A43B 1/10; A43B 1/12; A43B
1/14; A43B 5/00; A43B 5/001; A43B
5/002; A43B 5/003; A43B 5/007; A43B
5/008; A43B 5/02; A43B 5/06; A43B
5/08; A43B 5/10; A43B 5/14; A43B
23/00; A43B 23/02; A43B 23/0205; A43B
23/021; A43B 23/0215; A43C 11/00;
A43C 11/14; A43C 11/1493; A43C 11/20;
A43C 11/22; A43C 11/24

See application file for complete search history.

OTHER PUBLICATIONS

Stability X Strap Walking Shoe—Men’s, [\(Continued\)](https://www.dsw.com/en/us/product/propet-stability-x-strap-walking-shoe--mens/423629?activeColor=020&cm_mmc=CSE-_-GPS-_-G_Shopping_Athletic%20%26%20Sneaker-_-New_Athletic, 2019. (Year: 2019).*</p>
</div>
<div data-bbox=)

Primary Examiner — Elizabeth J Oswecki

(74) *Attorney, Agent, or Firm* — Banner & Witcoff, Ltd.

(57) **CLAIM**

The ornamental design for a shoe, as shown and described.

(56) **References Cited**

DESCRIPTION

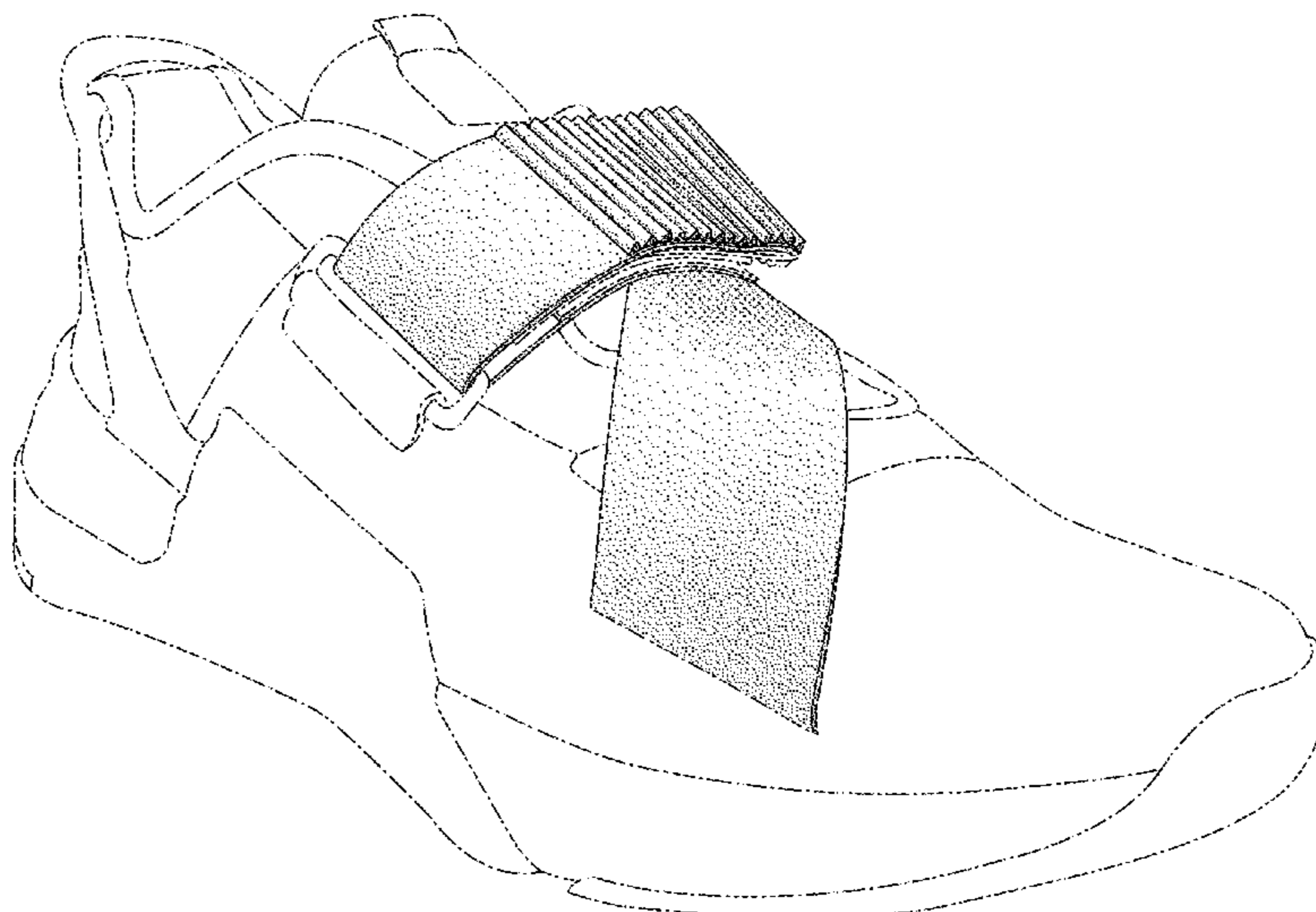
U.S. PATENT DOCUMENTS

- 1,283,335 A * 10/1918 Shillcock A43C 11/1493
36/25 R
- 3,769,722 A * 11/1973 Rhee A44B 18/00
D2/943
- 4,079,527 A * 3/1978 Antonious A43C 11/1493
36/51
- 4,308,672 A * 1/1982 Antonious A43C 11/1493
D2/978
- 4,411,077 A * 10/1983 Slavitt A43C 11/004
36/114
- D274,290 S * 6/1984 Migdow D2/900

FIG. 1 is a side view of a shoe showing my new design;
FIG. 2 is a front perspective view thereof;
FIG. 3 is an opposite side front perspective view thereof;
FIG. 4 is an opposite side view thereof; and,
FIG. 5 is a top view thereof.

The broken lines immediately adjacent to the shaded area define the bounds of the claimed design and form no part thereof. The broken lines depicting the remainder of the shoe form no part of the claimed design.

1 Claim, 5 Drawing Sheets



(56)

References Cited

FOREIGN PATENT DOCUMENTS

U.S. PATENT DOCUMENTS

D365,438 S 12/1995 Orzeck
 D486,298 S 2/2004 Adams
 D511,609 S 11/2005 Magro et al.
 D511,884 S 11/2005 Hatfield
 D514,788 S 2/2006 Schoenborn et al.
 D524,530 S 7/2006 Avar
 D532,962 S 12/2006 Teteriatnikov
 D541,515 S 5/2007 Lane, III
 D547,935 S 8/2007 Clark
 D576,782 S 9/2008 Teteriatnikov
 D636,564 S 4/2011 Matsueda et al.
 D671,728 S 12/2012 Kelley
 D674,178 S 1/2013 Petrie
 D682,528 S 5/2013 Link
 D683,122 S 5/2013 Hall
 D719,725 S * 12/2014 Katz D2/943
 D750,881 S 3/2016 Hardman
 D790,192 S 6/2017 Hardman
 D792,078 S 7/2017 Greenspan
 D794,315 S 8/2017 Kanata
 D801,667 S 11/2017 Durand
 D803,542 S * 11/2017 Schwartz D2/978
 D808,633 S * 1/2018 Ratzlaff D2/978
 D809,277 S 2/2018 Wright
 D813,522 S 3/2018 Cin
 D836,898 S * 1/2019 Shyllon D2/978
 D853,690 S 7/2019 Taylor
 D855,298 S 8/2019 Petrie
 D857,370 S 8/2019 Petrie
 D858,946 S * 9/2019 Eugene D2/896
 D858,953 S 9/2019 Sassi
 D866,162 S * 11/2019 Makere D2/978
 D875,379 S 2/2020 Makere
 D876,074 S 2/2020 Seamarks
 D883,617 S 5/2020 Spring
 D903,996 S * 12/2020 Lee D2/978
 D904,737 S * 12/2020 Wang D2/943
 11,000,098 B2 * 5/2021 Fogg A43C 11/1493
 D922,758 S * 6/2021 Blauer D2/978
 D925,209 S * 7/2021 Cenicerros D2/978
 2009/0192428 A1 * 7/2009 DeBoer A61F 13/065
 602/65

CN 304667944 S 6/2018
 CN 305127507 S 4/2019
 CN 305183981 S 5/2019
 CN 305443060 S 11/2019
 CN 306264427 S 1/2021
 JP D1261941 2/2006
 KR 30-0784739 2/2015
 WO DW065811-0004 5/2005

OTHER PUBLICATIONS

Nike Flex Advance, [* cited by examiner](https://www.nike.com/t/flex-advance-little-kids-shoes-qSNNNF/CZ0186-002?nikemt=true&cp=71606177307_search_%7CPRODUCT_GROUP%7CGOOGLE%7C71700000041489779%7CAll_X_X_X_X-Device_X_Nike-FullPrice_X%7C%7Cc&gclid=aw.ds&&gclid=EAIaIQobChMI2, 2022. (Year: 2022).*</p>
<p>Nike Footwear Catalog, 1981 Shoe Show, p. 3, published Jan. 1981, Nike, Inc., USA.</p>
<p>Nike Footwear Catalog, 1985 Footwear, p. 16, published Nov. 1983, Nike, Inc., USA.</p>
<p>Nike Footwear Catalog, 1985 Footwear, p. 17, published Nov. 1983, Nike, Inc., USA.</p>
<p>Nike Footwear Catalog, 1993 Fall Footwear, p. 86, published Dec. 1992, Nike, Inc., USA.</p>
<p>Nike Footwear Catalog, 2000 Fall Men's and Women's Footwear (blue cover), p. W36, published Nov. 1999, Nike Inc., USA.</p>
<p>Nike Footwear Catalog, 2002 Fall Men's and Women's Footwear, p. W8, published Nov. 2000, Nike, Inc., USA.</p>
<p>Nike Footwear Catalog, 2018 Summer Running, p. 50, published date unknown, but prior to the filing date of the present application, Nike, Inc., USA.</p>
<p>Nike Footwear Catalog, 2019 Spring Sportswear, p. 200, published date unknown, but prior to the filing date of the present application, Nike, Inc., USA.</p>
</div>
<div data-bbox=)

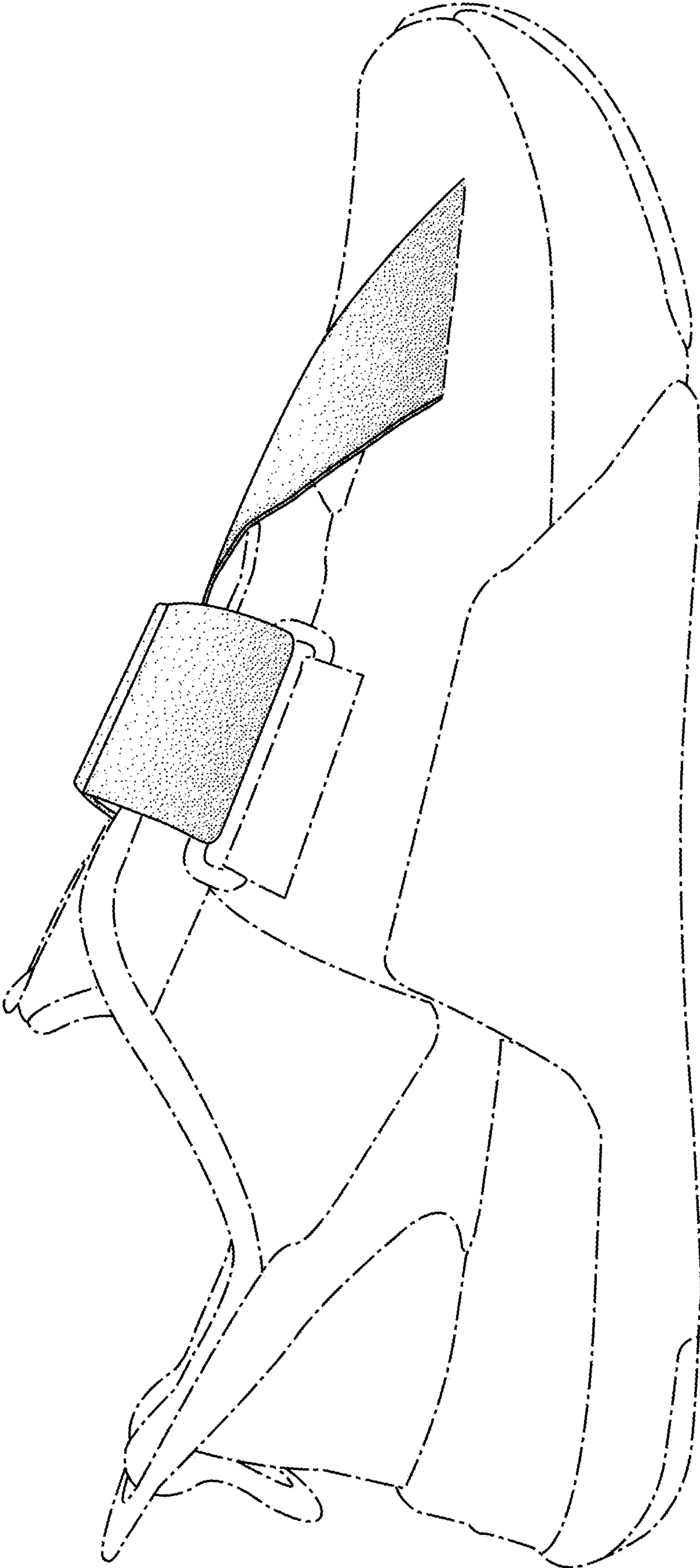


FIG. 1

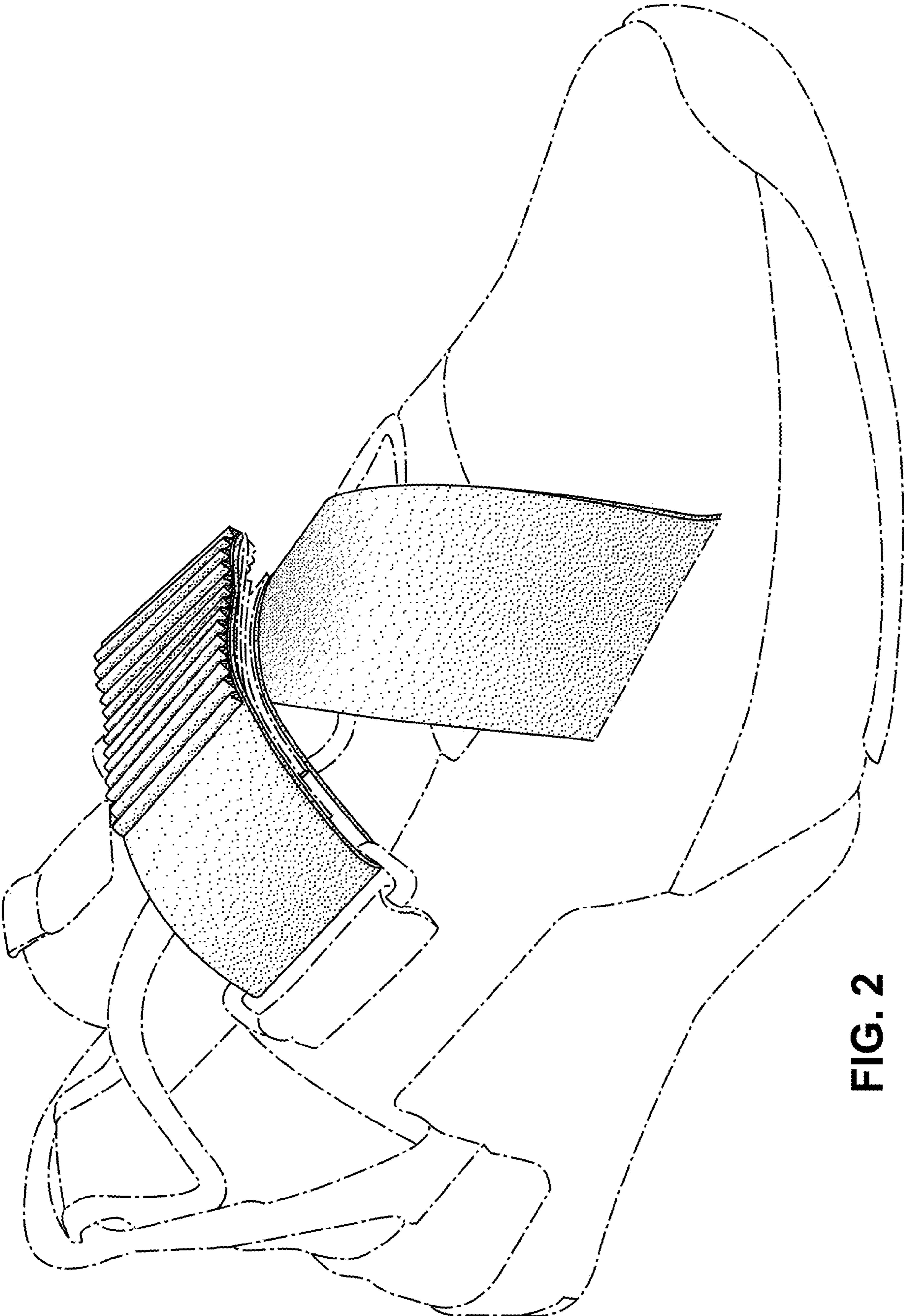


FIG. 2

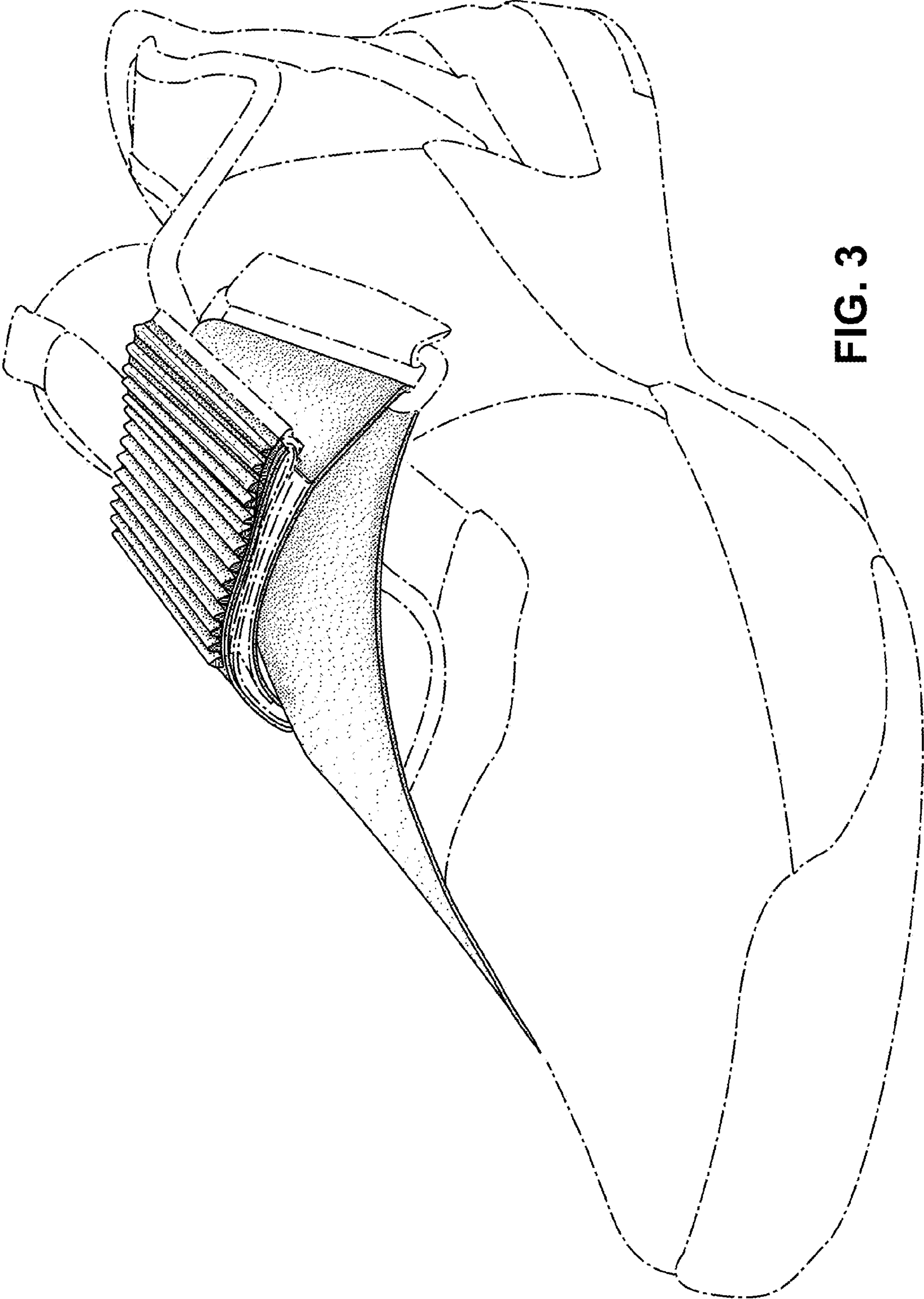


FIG. 3

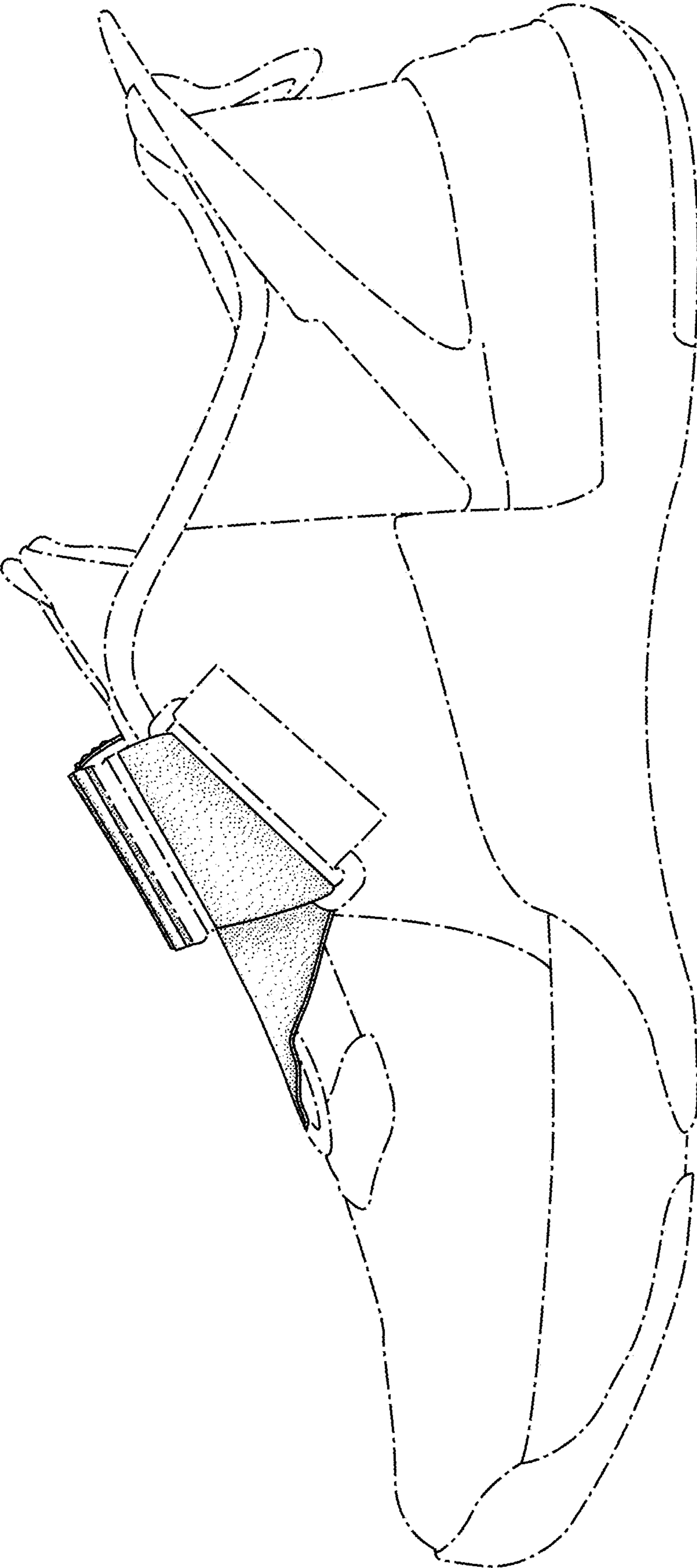


FIG. 4

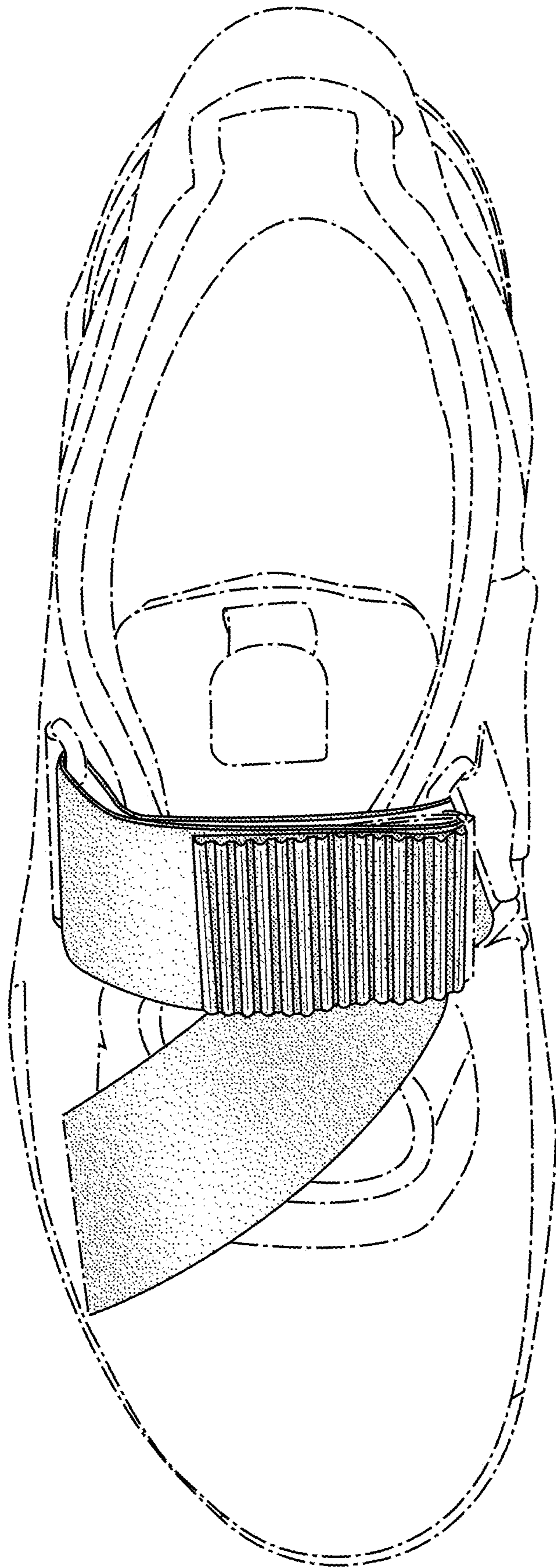


FIG. 5