



US00D950927S

(12) **United States Design Patent**
Dunham

(10) **Patent No.:** **US D950,927 S**

(45) **Date of Patent:** **** May 10, 2022**

(54) **FOOTWEAR**

(71) Applicant: **Target Brands, Inc.**, Minneapolis, MN
(US)

(72) Inventor: **Austyn Dunham**, Minneapolis, MN
(US)

(73) Assignee: **Target Brands, Inc.**, Minneapolis, MN
(US)

(**) Term: **15 Years**

(21) Appl. No.: **29/754,368**

(22) Filed: **Oct. 9, 2020**

(51) **LOC (13) Cl.** **02-04**

(52) **U.S. Cl.**
USPC **D2/972; D2/947**

(58) **Field of Classification Search**

USPC D2/902, 946–962, 896, 900, 904,
D2/906–908, 916–924, 925–945,
D2/969–979; 36/1, 1.5, 3 B, 22 R, 24.5,
36/25 R, 28, 32 R, 34 R, 59 C, 67 A,
36/101–107, 114–116, 117.3, 117.4,
36/124–136, 3 A, 83, 45, 99, 112–116
CPC A43B 13/00; A43B 13/02; A43B 13/023;
A43B 13/026; A43B 13/04; A43B 13/08;
A43B 13/10; A43B 13/12; A43B 13/14;
A43B 13/141; A43B 13/143; A43B
13/16; A43B 13/18; A43B 13/181; A43B
13/187; A43B 13/189; A43B 13/20; A43B
13/22; A43B 13/223; A43B 13/24; A43B
13/28; A43B 13/30; A43B 13/32; A43B
13/34; A43B 13/36; A43B 1/00; A43B
1/02; A43B 1/04; A43B 3/00; A43B 3/02;
A43B 3/06; A43B 3/10; A43B 3/12;
A43B 3/14; A43B 5/00; A43B 5/001;
A43B 5/002; A43B 5/008; A43B 5/06;
A43B 5/10; A43B 5/12; A43B 23/00;
A43B 23/02; A43B 23/04; A43B 23/14;
A43B 23/16; A43B 23/17; A43B 23/24;
A43B 23/25; A43B 23/26;

(Continued)

(56) **References Cited**

U.S. PATENT DOCUMENTS

D261,446 S * 10/1981 Schmohl A43B 13/223
D2/907
D324,131 S * 2/1992 Lucas D2/977
(Continued)

OTHER PUBLICATIONS

Kid's Shay Lace-Up Winter Boots—All in Motion, Target.com,
[online], [site visited Dec. 16, 2021]. <URL: <https://www.target.com/p/kids-shay-lace-up-winter-boots-all-in-motion/-/A-82431696?preselect=82181828#lnk=sametab>> (Year: 2021).*

(Continued)

Primary Examiner — Jonathan J Han

(74) *Attorney, Agent, or Firm* — Merchant & Gould P.C.

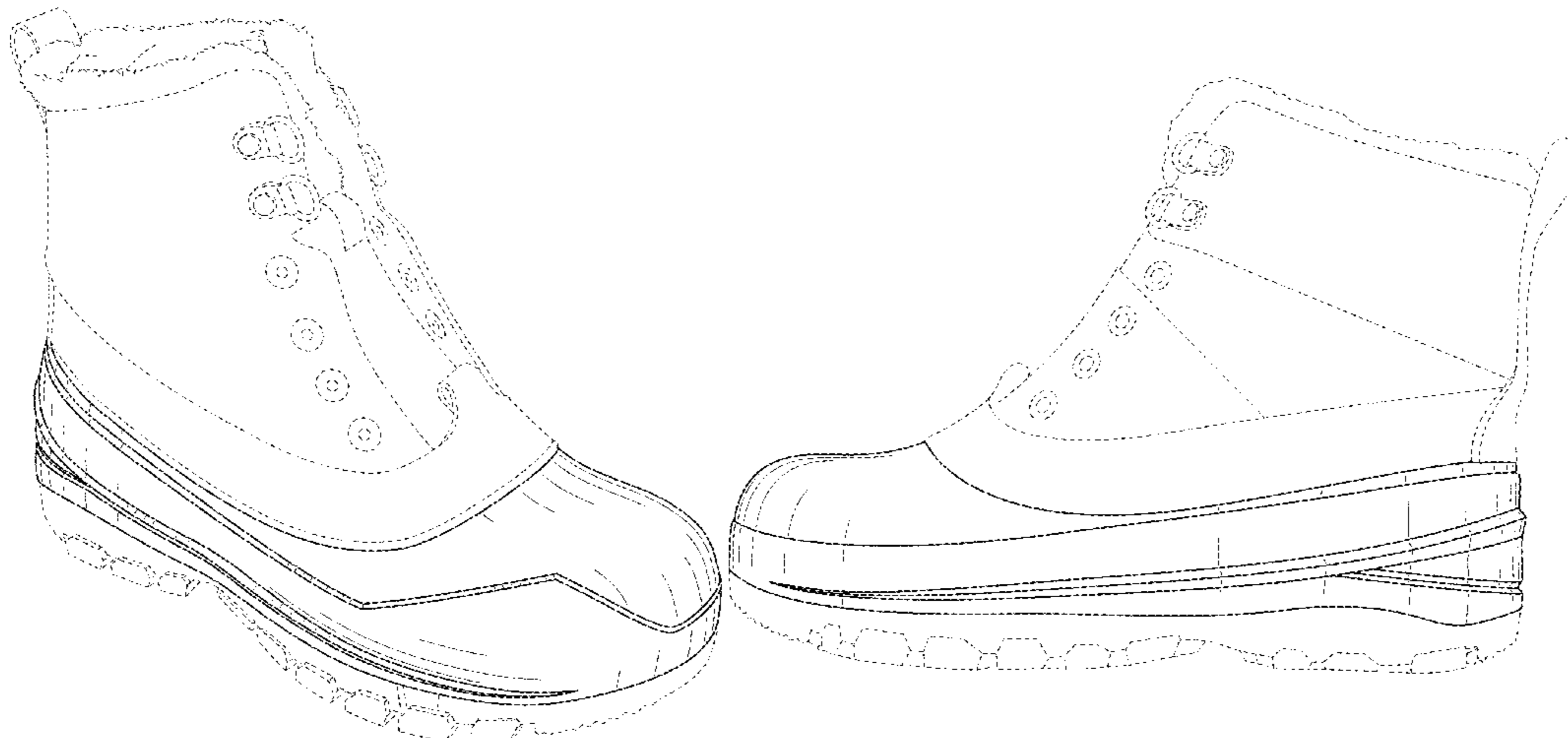
(57) **CLAIM**

The ornamental design for a footwear, as shown and described.

DESCRIPTION

FIG. 1 is a front, top and right side perspective view of a footwear according to the new design;
FIG. 2 is a front elevation view of the footwear of FIG. 1;
FIG. 3 is a back elevation view of the footwear of FIG. 1;
FIG. 4 is a left side elevation view of the footwear of FIG. 1;
FIG. 5 is a right side elevation view of the footwear of FIG. 1;
FIG. 6 is a top plan view of the footwear of FIG. 1; and,
FIG. 7 is a back, bottom and left side perspective view of the footwear of FIG. 1.
In the drawings, the portions of the footwear shown in broken lines form no part of the claimed design.

1 Claim, 7 Drawing Sheets



(58) **Field of Classification Search**
 CPC A43C 1/00; A43C 5/00; A43C 7/00; A43C
 9/00; A43C 11/00
 See application file for complete search history.

(56) **References Cited**

U.S. PATENT DOCUMENTS

D343,045 S *	1/1994	Bailey	D2/977
D369,456 S *	5/1996	Peterson	D2/910
D499,233 S	12/2004	Sedlbauer	
D516,285 S	3/2006	Sedlbauer	
D517,791 S	3/2006	Sedlbauer	
D517,792 S	3/2006	Sedlbauer	
D524,019 S	7/2006	Matis et al.	
D539,024 S	3/2007	Belley et al.	
D547,540 S	7/2007	Maderspach	
D556,438 S	12/2007	Maderspach	
D575,951 S	9/2008	St-Louis	
D582,651 S	12/2008	Andersen et al.	
D599,539 S	9/2009	St-Louis	
D606,289 S *	12/2009	Hubner	D2/910
D631,645 S *	2/2011	Glennie	D2/910
D632,882 S	2/2011	O'Rorke	
D635,346 S *	4/2011	Lonigan	D2/970
D636,984 S *	5/2011	Lonigan	D2/970
D639,034 S *	6/2011	Castellon	D2/912
D648,929 S	11/2011	Van Zyll De Jong et al.	
D660,570 S	5/2012	Joseph	
D662,304 S	6/2012	Spring	
D664,345 S	7/2012	Joseph	
D677,871 S	3/2013	Portzline	
D677,872 S *	3/2013	Spring	D2/970
D677,873 S	3/2013	Portzline	
D678,666 S	3/2013	Portzline	
D696,844 S *	1/2014	Curtis	A43B 3/248 D2/944
D699,932 S	2/2014	Lubart	
D701,024 S	3/2014	Youngs et al.	

D701,372 S	3/2014	Portzline	
D701,377 S	3/2014	Spring	
D701,379 S *	3/2014	Neely	D2/912
D701,683 S	4/2014	Neely	
D732,804 S *	6/2015	Fongher	D2/907
D732,805 S *	6/2015	Bruder	D2/911
D738,073 S *	9/2015	Chenciner	D2/903
D740,534 S	10/2015	Spring	
D754,425 S	4/2016	Deas	
D778,568 S *	2/2017	Kinley	D2/964
D779,185 S *	2/2017	Abe	D2/970
D781,030 S *	3/2017	Foust	D2/910
D782,166 S *	3/2017	Feller	D2/911
D795,541 S	8/2017	Henrichot et al.	
D839,578 S *	2/2019	Foust	D2/970
D839,580 S *	2/2019	Dowd	D2/970
D841,302 S *	2/2019	Mondelli	D2/970
D853,692 S *	7/2019	Smith	D2/911
D862,056 S *	10/2019	Wang	D2/947
D866,934 S	11/2019	Zeng	
D866,935 S *	11/2019	Dao	D2/912
D874,808 S	2/2020	Prochmann	
D901,848 S *	11/2020	Mazgaj	D2/912
D903,249 S *	12/2020	Wu	D2/911
D915,053 S *	4/2021	Foust	D2/970
D922,739 S *	6/2021	Foust	D2/910
D931,592 S *	9/2021	Stefan	D2/970

OTHER PUBLICATIONS

Men's Bean Boots, 8", LLbean.com, [online], [site visited Dec. 16, 2021]. <URL: <https://www.llbean.com/llb/shop/31179?page=mens-llbean-boots-8in&bc=506697&feat=506697-GN0&csp=a&pos=1>> (Year: 2021).*

Women's Cecily Waterproof Winter Boots—All in Motion, Target.com, [online], [site visited Dec. 16, 2021]. <URL: <https://www.target.com/p/women-s-cecily-waterproof-winter-boots-all-in-motion/-/A-82390215?preselect=82258040#lnk=sametab>> (Year: 2021).*

* cited by examiner



FIG. 1

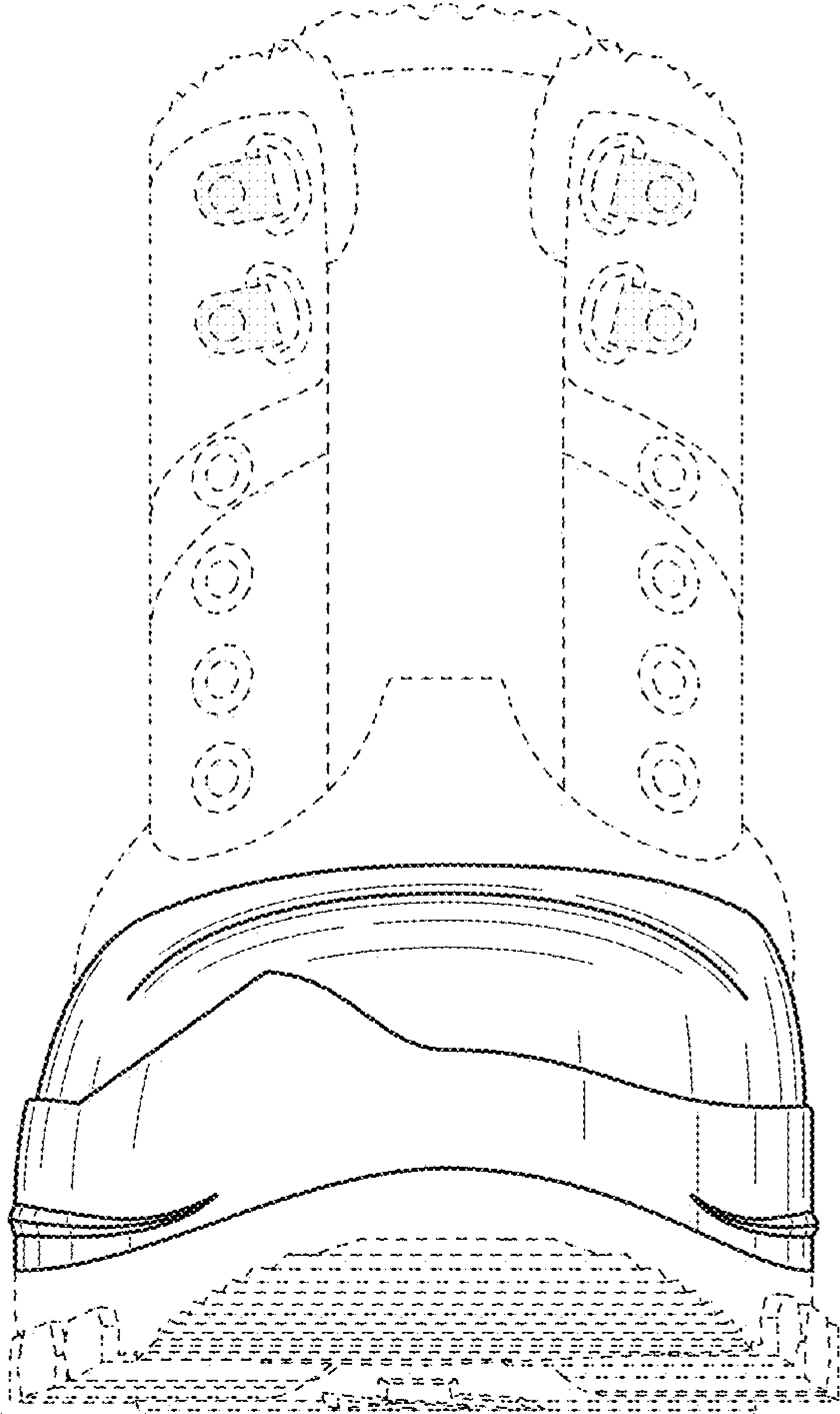


FIG. 2

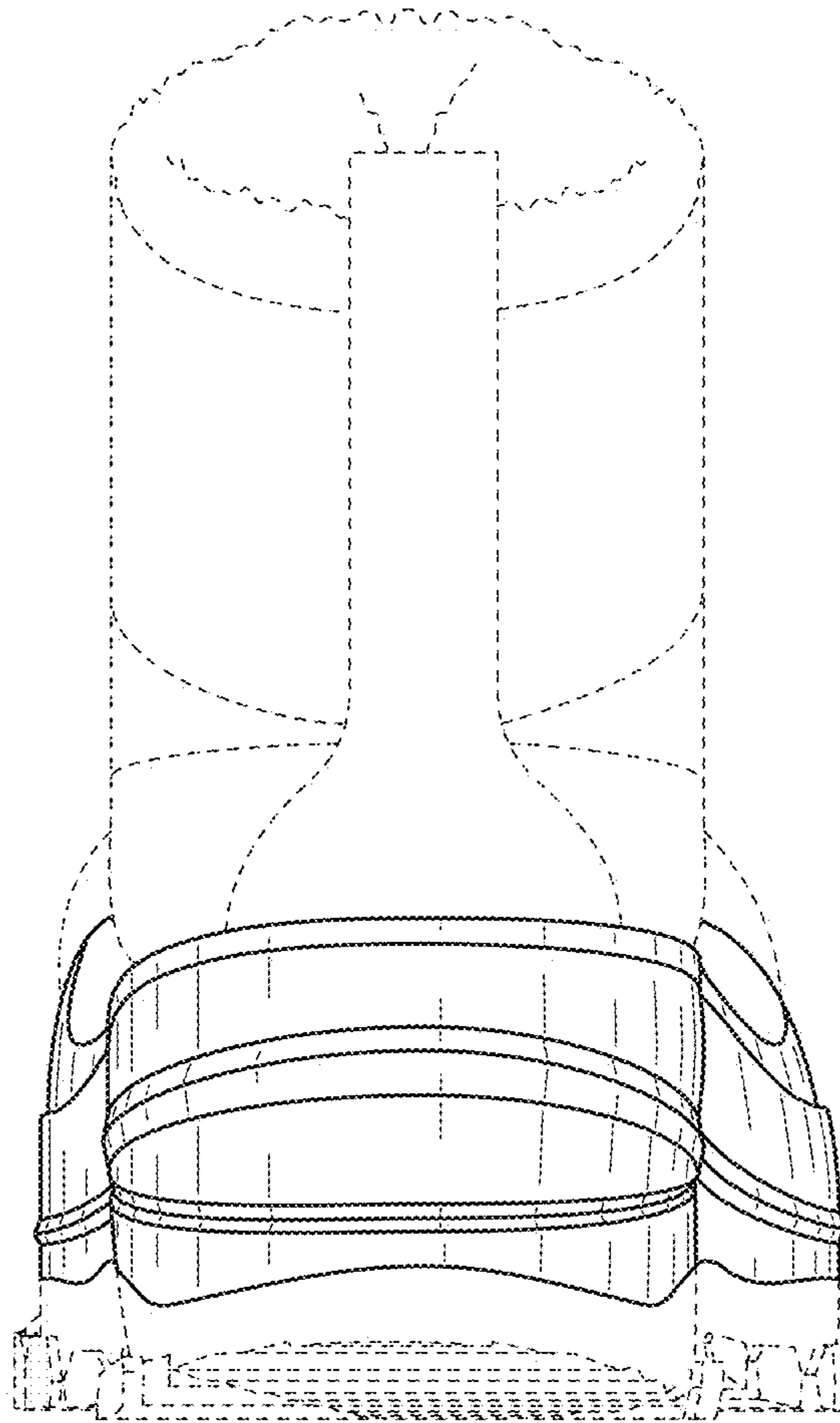


FIG. 3

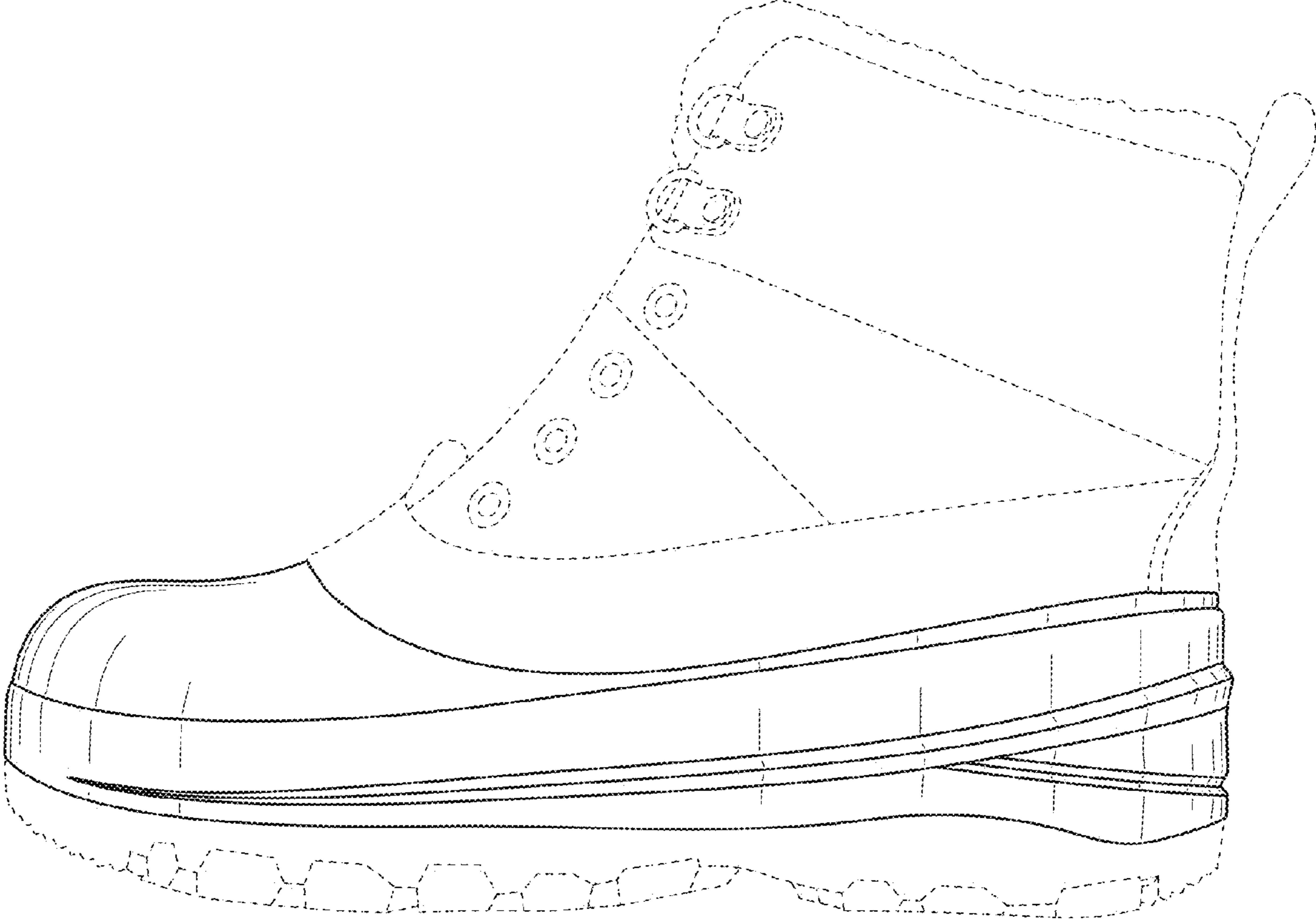


FIG. 4

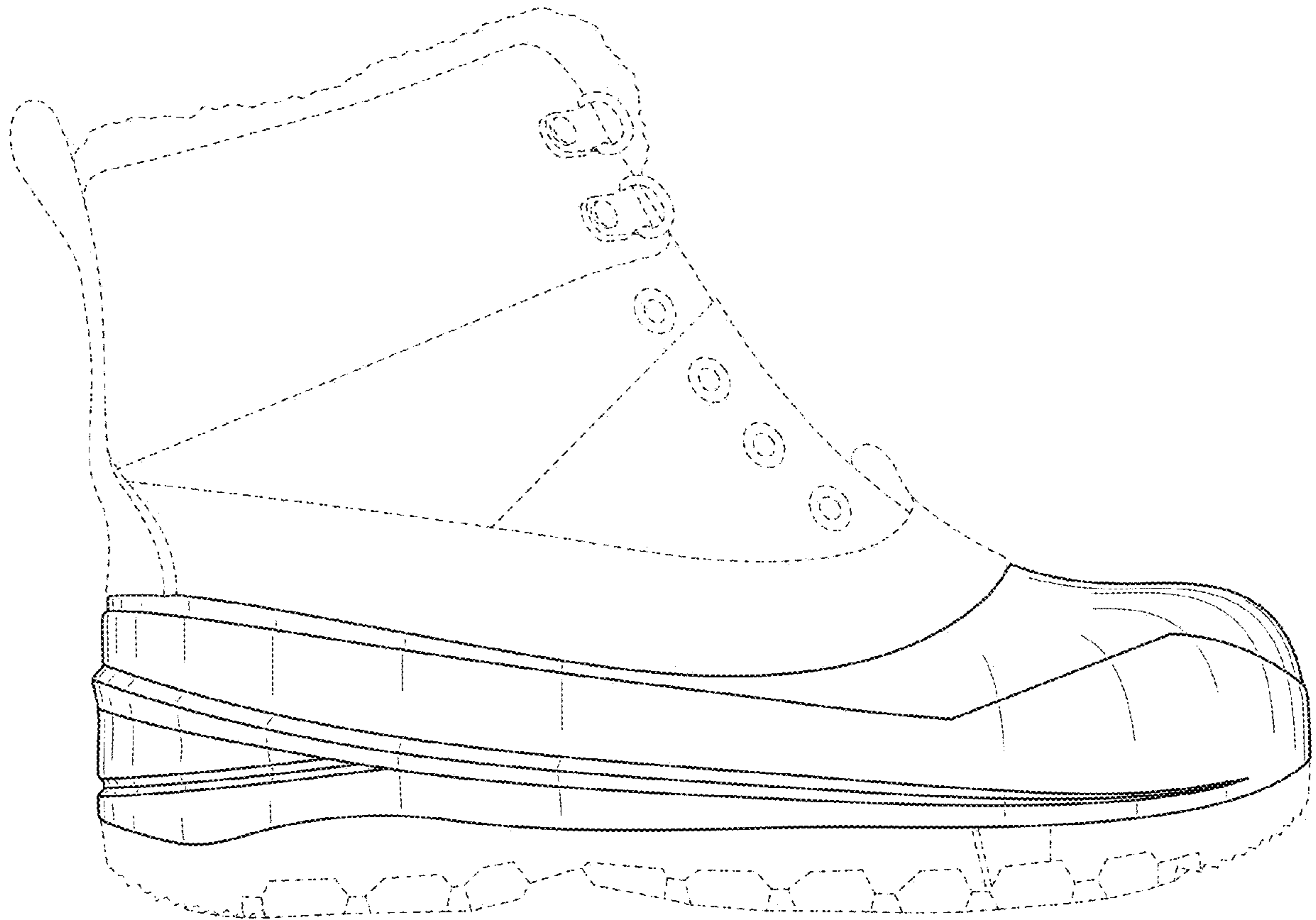


FIG. 5

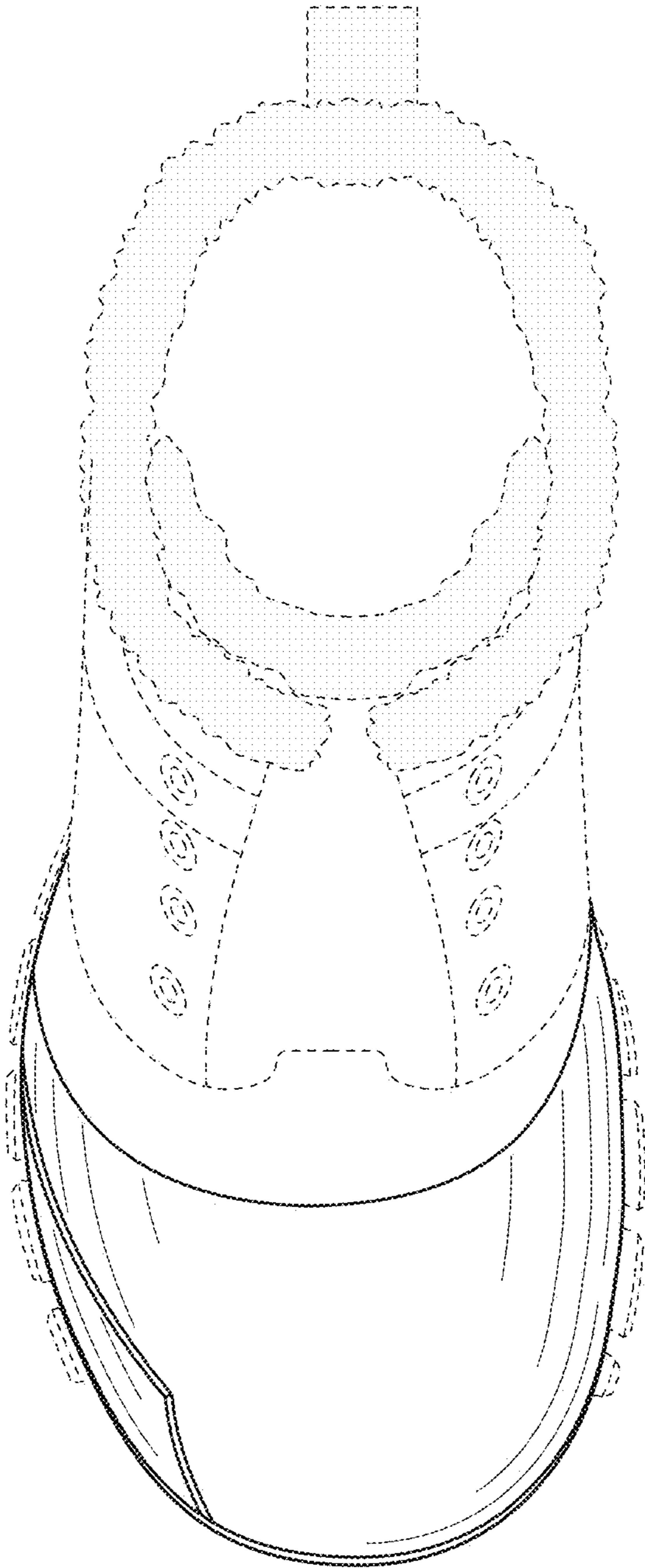


FIG. 6

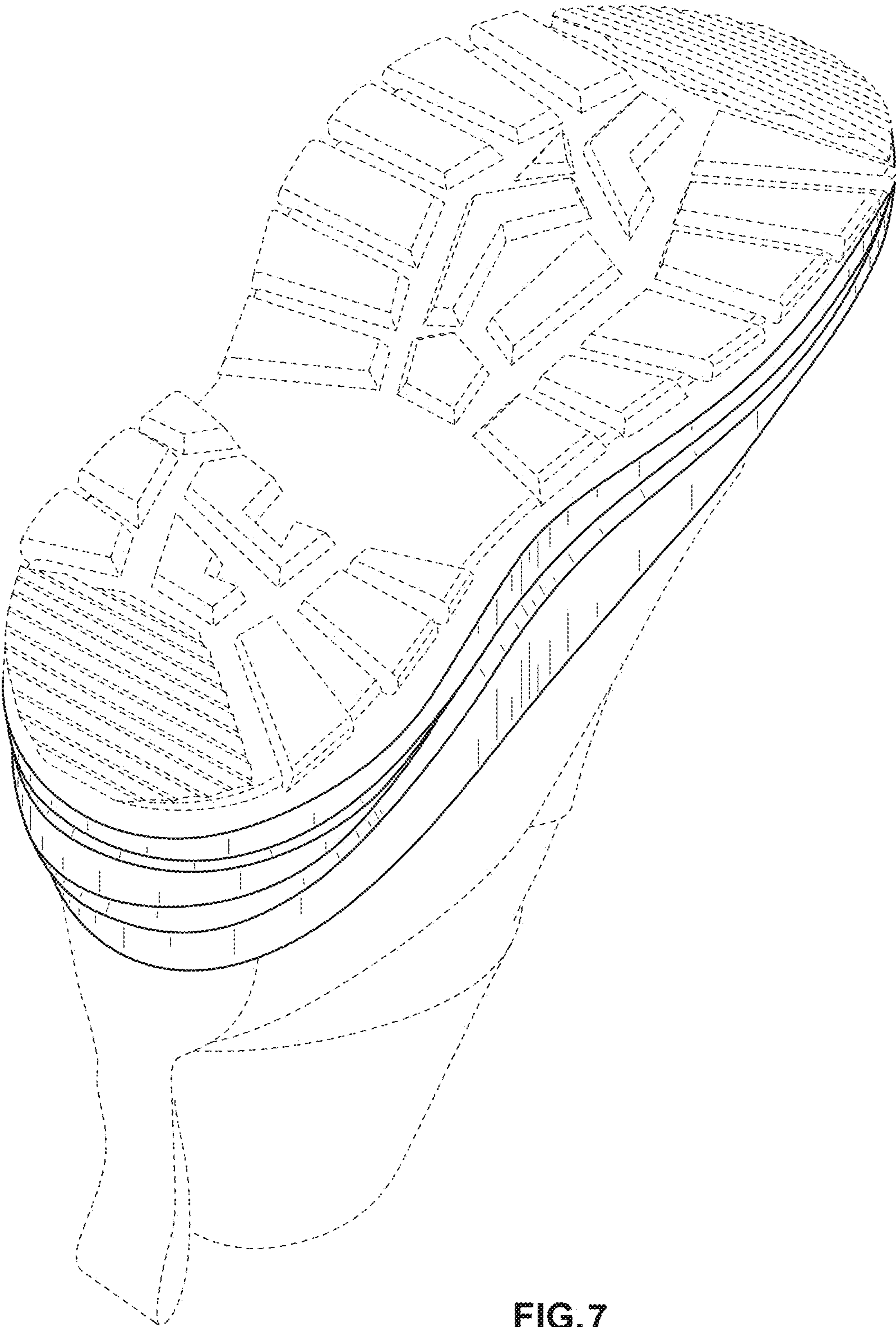


FIG. 7