



US00D950919S

(12) **United States Design Patent**  
**Dunham**

(10) **Patent No.:** **US D950,919 S**

(45) **Date of Patent:** **\*\* May 10, 2022**

(54) **FOOTWEAR**

(71) Applicant: **Target Brands, Inc.**, Minneapolis, MN  
(US)

(72) Inventor: **Austyn Dunham**, Minneapolis, MN  
(US)

(73) Assignee: **Target Brands, Inc.**, Minneapolis, MN  
(US)

(\*\*) Term: **15 Years**

(21) Appl. No.: **29/754,391**

(22) Filed: **Oct. 9, 2020**

(51) **LOC (13) Cl.** ..... **02-04**

(52) **U.S. Cl.**  
USPC ..... **D2/970; D2/896**

(58) **Field of Classification Search**  
USPC ..... D2/902, 906, 908, 916, 918, 925,  
D2/946-962, 977, 901, 904, 909-912,  
D2/919, 921, 970-974, 978, 969, 931,  
D2/910-911, 897, 905, 913; 36/3 B,  
36/22 R, 24.5, 25 R, 28, 32 R, 59 C,  
36/67 A, 103, 3 A, 83, 110, 117, 122,  
36/1.7 R, 47.3, 77 M, 77 R, 113, 114,  
36/50.1, 54, 126-131, 7.1 R, 7.3, 7.4, 7.8,  
36/4, 11.5, 9 R, 45, 72 B, 73, 84, 89  
CPC ..... A43B 23/00; A43B 23/02; A43B 23/0205;  
A43B 23/021; A43B 23/0215; A43B  
23/022; A43B 23/025; A43B 23/0255;  
A43B 23/0295; A43B 23/04; A43B  
23/042; A43B 23/085; A43B 23/082;  
A43B 3/02; A43B 3/06; A43B 3/002;  
A43B 3/04; A43B 3/0496; A43B 23/17;  
A43B 5/005; A43B 5/06; A43B 5/10;  
A43B 13/81; A43B 13/125; A43B 23/026  
See application file for complete search history.

(56) **References Cited**

**U.S. PATENT DOCUMENTS**

D368,797 S \* 4/1996 Brooks ..... D2/909  
D403,142 S \* 12/1998 Cook ..... D2/910

D404,544 S \* 1/1999 Tzenos ..... D2/909  
D412,777 S \* 8/1999 Norton ..... D2/947  
D414,018 S \* 9/1999 Cook ..... D2/910  
D461,294 S \* 8/2002 Cook ..... D2/909  
D463,655 S \* 10/2002 Gerdy ..... D2/909  
D475,841 S \* 6/2003 Cook ..... D2/909  
D475,842 S \* 6/2003 Cook ..... D2/909

(Continued)

**FOREIGN PATENT DOCUMENTS**

CA 87127 \* 7/1999  
CA 3170504 \* 12/2000  
CN 201930388809.X \* 1/2020

**OTHER PUBLICATIONS**

U.S. Appl. No. 29/068,176, filed Sep. 1999, Cook.\*

(Continued)

*Primary Examiner* — T Chase Nelson  
*Assistant Examiner* — Jamillah Khalil Abdullah  
(74) *Attorney, Agent, or Firm* — Merchant & Gould P.C.

(57) **CLAIM**

The ornamental design for a footwear, as shown and described.

**DESCRIPTION**

FIG. 1 is a front, top and right side perspective view of a footwear according to the new design;  
FIG. 2 is a front side elevation view thereof;  
FIG. 3 is a back side elevation view thereof;  
FIG. 4 is a left side elevation view thereof;  
FIG. 5 is a right side elevation view thereof;  
FIG. 6 is a top plan view thereof; and,  
FIG. 7 is a bottom plan view thereof.  
The broken lines in the drawings show portions that form no part of the claimed design.

**1 Claim, 7 Drawing Sheets**



(56)

References Cited

U.S. PATENT DOCUMENTS

D499,233 S 12/2004 Sedlbauer  
 D516,285 S 3/2006 Sedlbauer  
 D517,791 S 3/2006 Sedlbauer  
 D517,792 S 3/2006 Sedlbauer  
 D524,019 S 7/2006 Matis et al.  
 D539,024 S 3/2007 Belley et al.  
 D547,540 S \* 7/2007 Maderspach ..... D2/970  
 D556,438 S \* 12/2007 Maderspach ..... D2/972  
 D575,951 S 9/2008 St-Louis  
 D582,651 S 12/2008 Andersen et al.  
 D599,539 S 9/2009 St-Louis  
 D606,289 S \* 12/2009 Hubner ..... D2/910  
 D632,882 S 2/2011 O'Rorke  
 D648,929 S 11/2011 Van Zyll De Jong et al.  
 D660,570 S 5/2012 Joseph  
 D662,304 S 6/2012 Spring  
 D664,345 S 7/2012 Joseph  
 D677,871 S 3/2013 Portzline  
 D677,873 S 3/2013 Portzline  
 D678,666 S 3/2013 Portzline  
 D699,932 S 2/2014 Lubart  
 D701,024 S \* 3/2014 Youngs ..... D2/972  
 D701,372 S 3/2014 Portzline  
 D701,377 S 3/2014 Spring  
 D701,683 S 4/2014 Neely  
 D740,534 S 10/2015 Spring  
 D754,425 S 4/2016 Deas

D795,541 S 8/2017 Henrichot et al.  
 D866,934 S 11/2019 Zeng  
 D874,808 S 2/2020 Prochmann  
 D928,464 S \* 8/2021 Mokos ..... A43B 23/028  
 2018/0103727 A1\* 4/2018 Fracassi ..... A43B 23/028

OTHER PUBLICATIONS

Cat and Jack, Kids Brody Winter Boots, 2021, Target.com, [site visited: Dec. 29, 2021], Available from URL: <https://www.target.com/p/kids-brody-winter-boots-cat-jack/-/A-82427155?preselect=82181820#Ink=sametaab> (Year: 2021).\*

Yeerovan, Kids Snow Boots Boys Girls Winter Boot, (Aug. 12, 2021), Amazon.com, [site visited: Dec. 29, 2021], Available from URL: Amazon.com: [https://www.amazon.com/dp/B09CFMPPDL/ref=cm\\_sw\\_em\\_r\\_mt\\_dp\\_PQXMM3A67EKWXSDEV4BF?\\_encoding=UTF8&psc=1](https://www.amazon.com/dp/B09CFMPPDL/ref=cm_sw_em_r_mt_dp_PQXMM3A67EKWXSDEV4BF?_encoding=UTF8&psc=1) (Year: 2021).\*

WateLves, Kids Winter Snow Boots Boys and Girls, (Dec. 14, 2021), Amazon.com, [site visited: Dec. 29, 2021], Available from URL: [https://www.amazon.com/dp/B07WC4W7RB/ref=cm\\_sw\\_em\\_r\\_mt\\_dp\\_V54PP7CHEAW51SAZ9050?\\_encoding=UTF8&psc=1](https://www.amazon.com/dp/B07WC4W7RB/ref=cm_sw_em_r_mt_dp_V54PP7CHEAW51SAZ9050?_encoding=UTF8&psc=1) (Year: 2021).\*

Morendl, Kids Snow Boots Insulated Waterproof Fur Lined, (Aug. 17, 2021), Amazon.com, [site visited: Dec. 29, 2021], Available from URL: [https://www.amazon.com/dp/B097DRMWDG/ref=cm\\_sw\\_em\\_r\\_mt\\_dp\\_4N8CND9Z2HP13TX73RTH?\\_encoding=UTF8&psc=1](https://www.amazon.com/dp/B097DRMWDG/ref=cm_sw_em_r_mt_dp_4N8CND9Z2HP13TX73RTH?_encoding=UTF8&psc=1) (Year: 2021).\*

\* cited by examiner

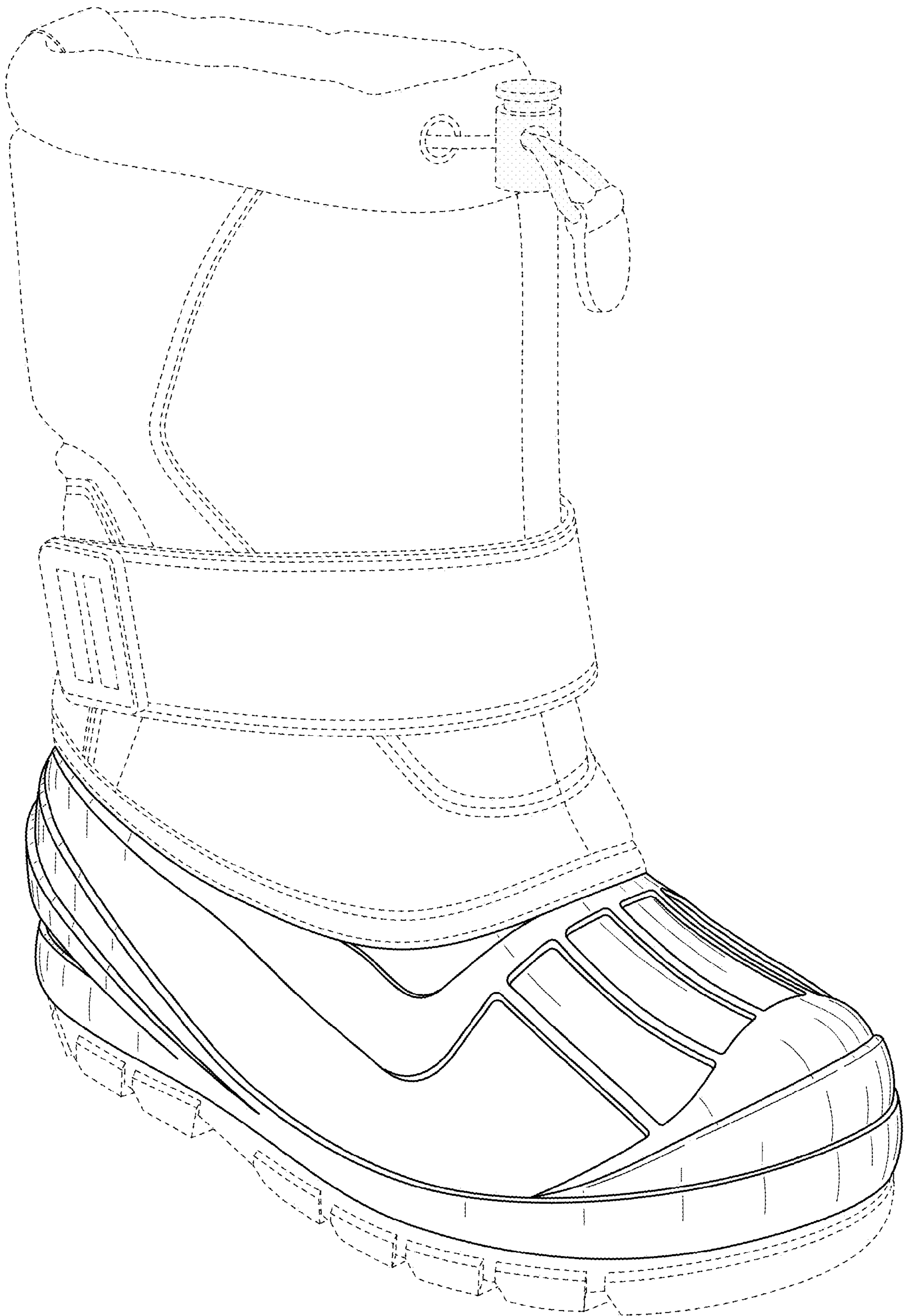


FIG. 1



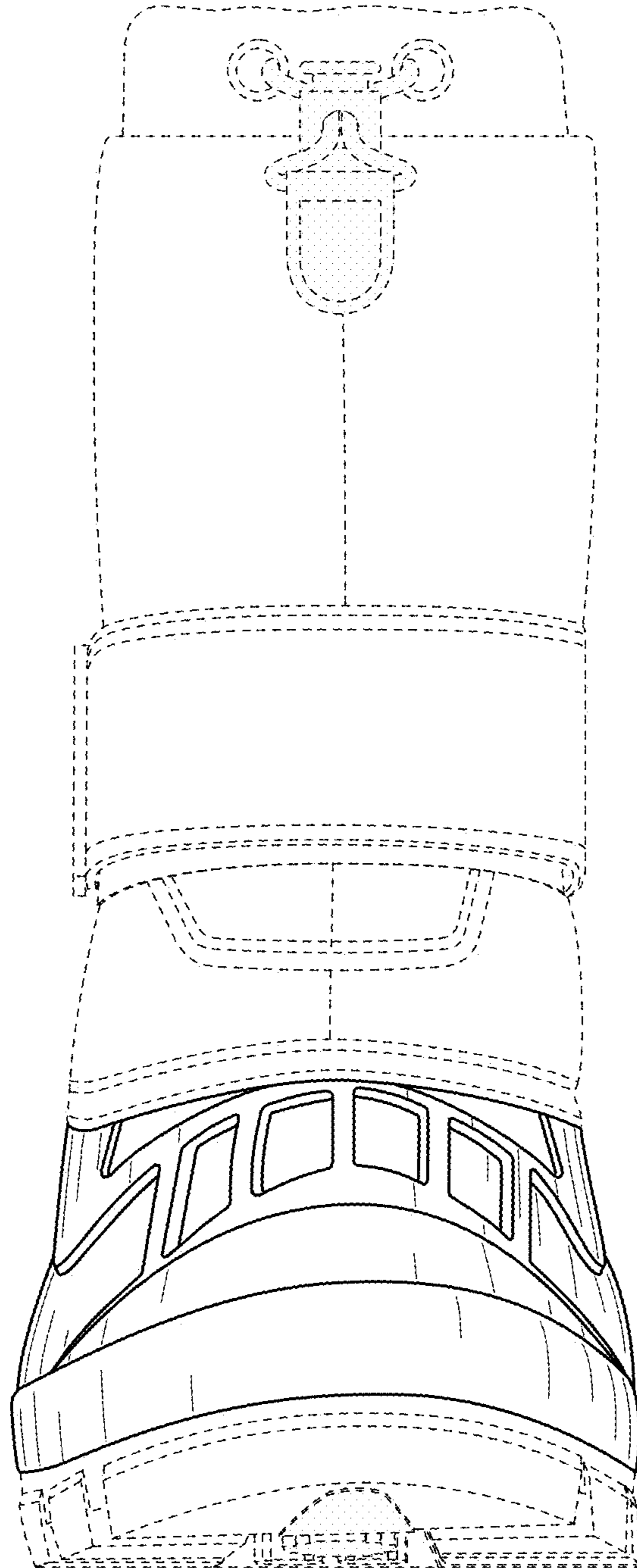


FIG. 2

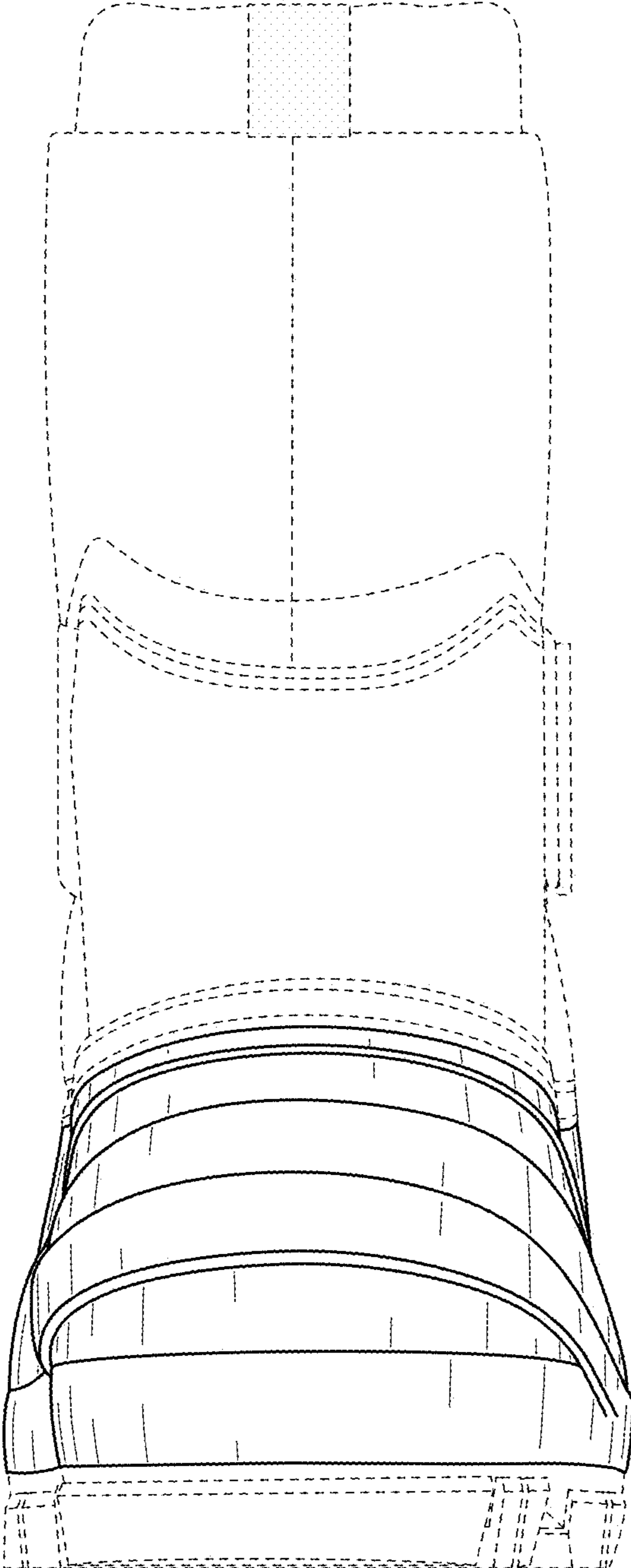


FIG. 3

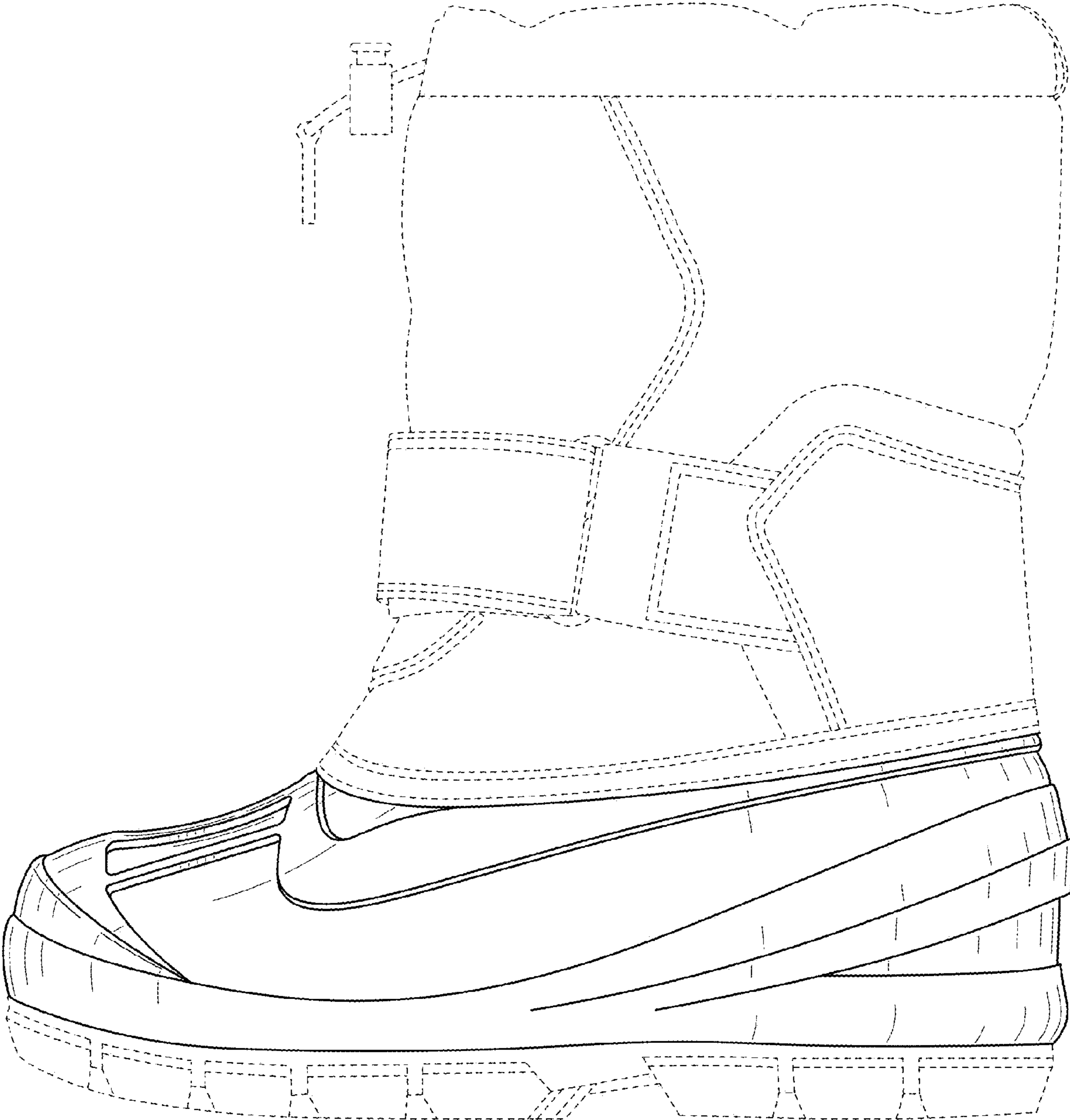


FIG. 4

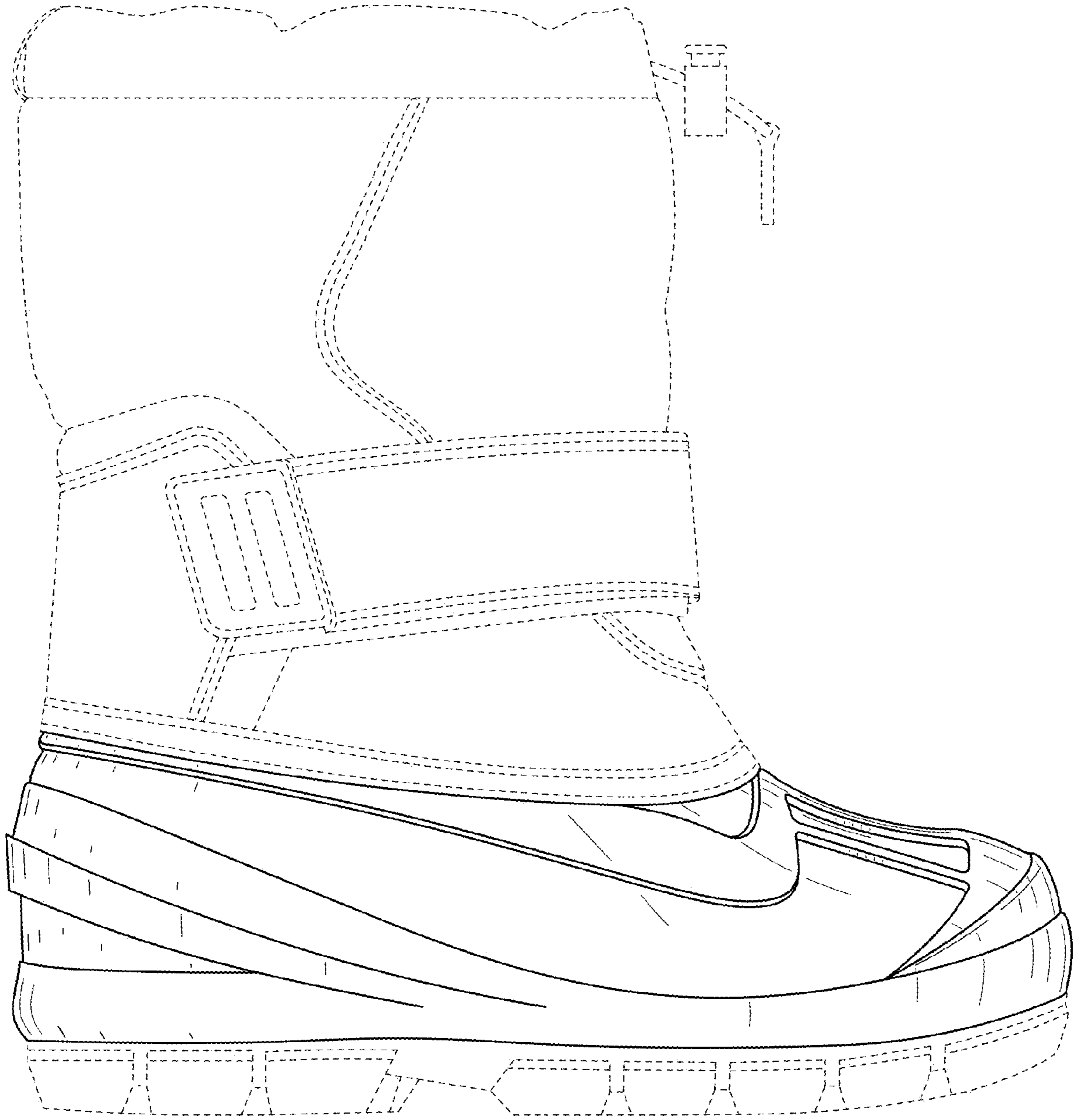


FIG. 5

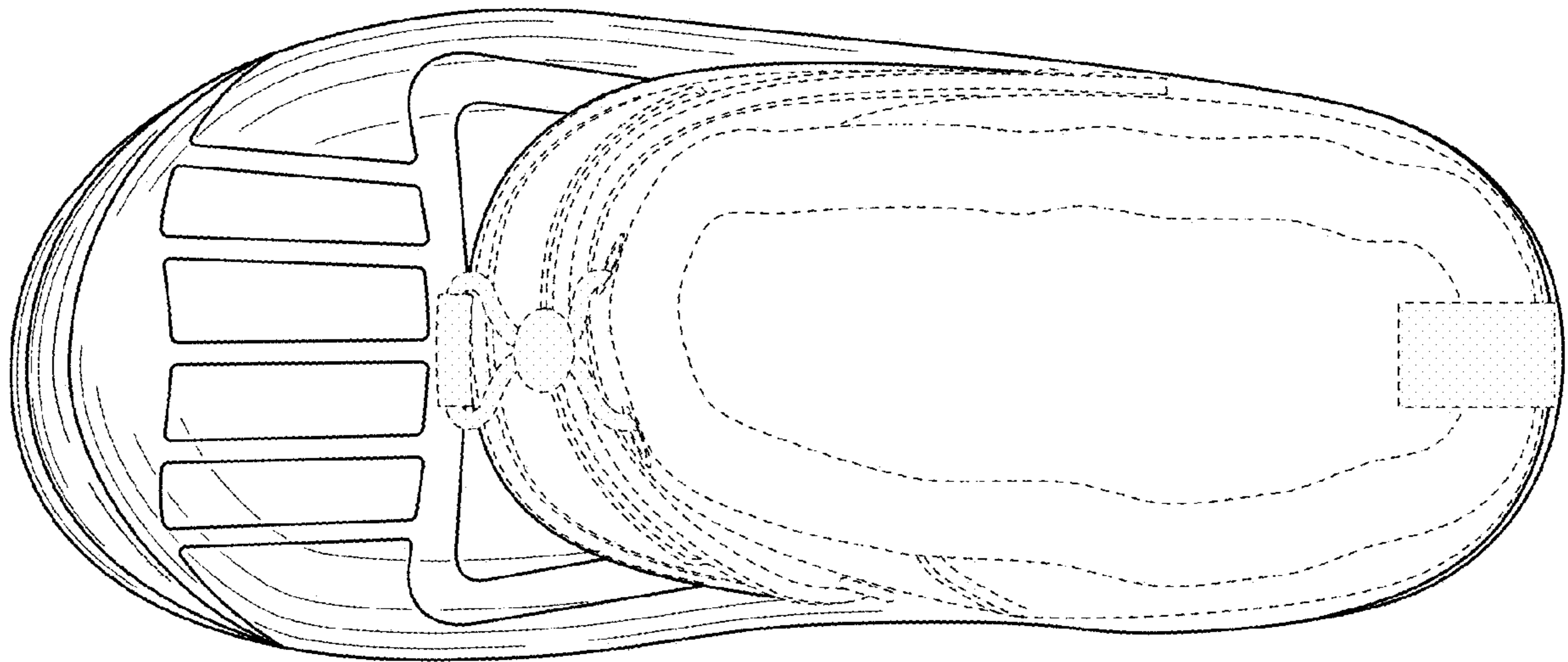


FIG. 6



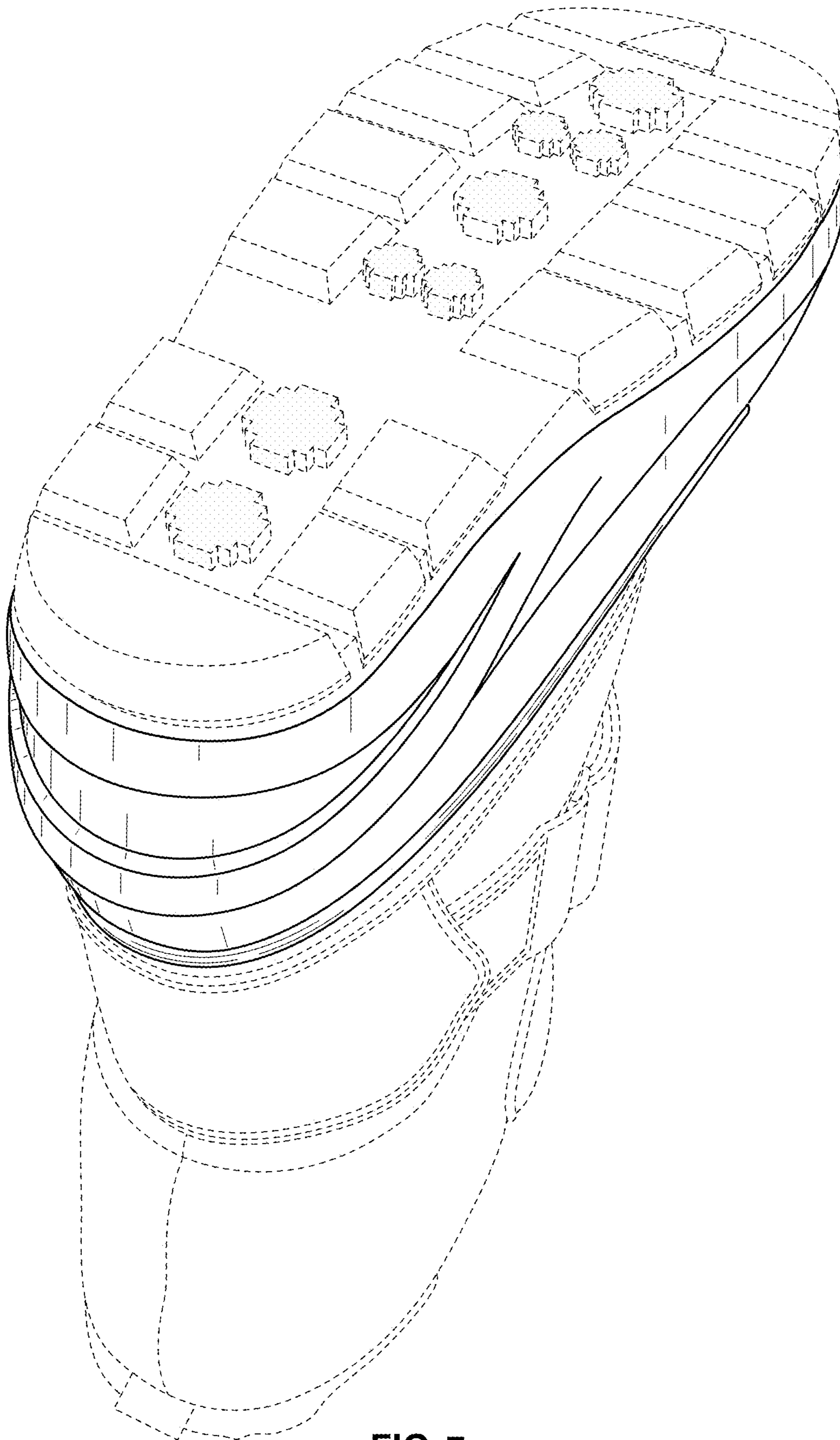


FIG. 7