



US00D950918S

(12) **United States Design Patent** (10) **Patent No.:** **US D950,918 S**
Dunham (45) **Date of Patent:** **** May 10, 2022**

(54) **FOOTWEAR**

(71) Applicant: **Target Brands, Inc.**, Minneapolis, MN (US)

(72) Inventor: **Austyn Dunham**, Minneapolis, MN (US)

(73) Assignee: **Target Brands, Inc.**, Minneapolis, MN (US)

(**) Term: **15 Years**

(21) Appl. No.: **29/651,951**

(22) Filed: **Oct. 9, 2020**

(51) **LOC (13) Cl.** **02-04**

(52) **U.S. Cl.**
USPC **D2/970**

(58) **Field of Classification Search**
USPC D2/902, 906, 908, 916, 918, 925,
D2/946-962, 977, 901, 904, 909-912,
D2/919, 921, 970-974, 978, 969, 931,
D2/897; 36/3 A, 83, 110, 117, 122,
36/1.7 R, 47.3, 77 M, 77 R, 113, 114,
36/50.1, 54, 126-131, 3 b, 22 r, 24.5,
36/25 r, 28, 32 r, 59 c, 67 a, 103; D5/56
CPC .. A43B 3/02; A43B 3/06; A43B 3/002; A43B
3/04; A43B 3/0496; A43B 23/00; A43B
23/02; A43B 23/0205; A43B 23/021;
A43B 23/0215; A43B 23/022; A43B
23/025; A43B 23/0255; A43B 23/0295;
A43B 23/04; A43B 23/042; A43B
23/085; A43B 23/082

See application file for complete search history.

(56) **References Cited**

U.S. PATENT DOCUMENTS

D88,608 S * 12/1932 Willheim D5/56
D119,351 S * 3/1940 Tabin D5/56
D243,278 S * 2/1977 Appleman D5/56
D272,673 S * 2/1984 Bonomo D5/56

D317,084 S * 5/1991 Cerny D5/47
D347,938 S * 6/1994 Smith D2/970
D499,233 S 12/2004 Sedlbauer
D516,285 S 3/2006 Sedlbauer
D517,791 S 3/2006 Sedlbauer

(Continued)

FOREIGN PATENT DOCUMENTS

CN 201730148207 * 11/2017
CN 201730574669 * 4/2018

(Continued)

OTHER PUBLICATIONS

Columbia, Mix Shorty III Snow Boots—Women’s, (2019), REI.com, [site visited: Jan. 3, 2022], Available from URL: <https://www.rei.com/product/137570/columbia-minx-shorty-iii-snow-boots-womens> (Year: 2019).*

(Continued)

Primary Examiner — T Chase Nelson
Assistant Examiner — Jamillah Khalil Abdullah
(74) *Attorney, Agent, or Firm* — Merchant & Gould P.C.

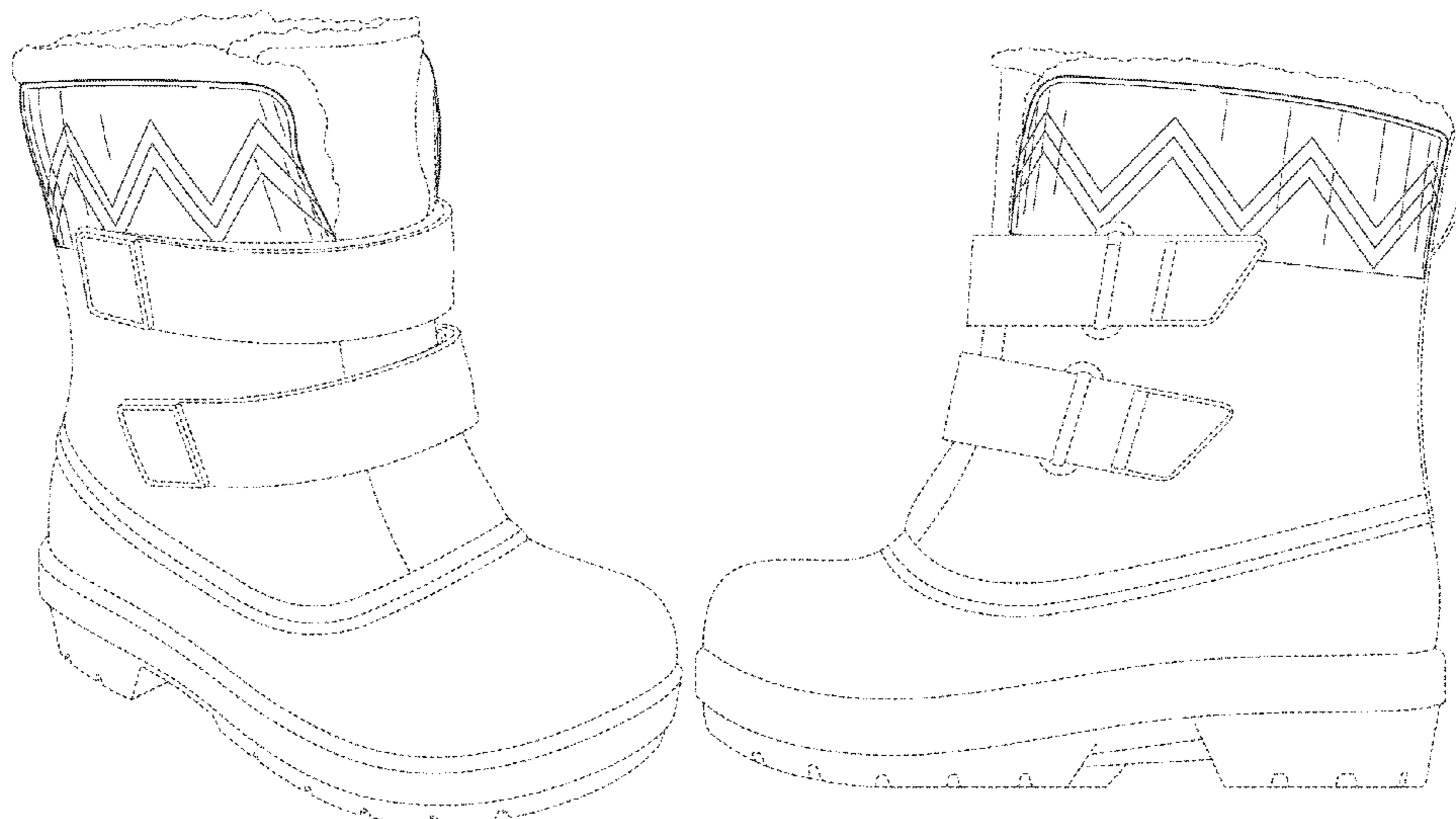
(57) **CLAIM**

The ornamental design for a footwear, as shown and described.

DESCRIPTION

FIG. 1 is a front, top and right side perspective view of a footwear according to the new design, the portion shown in broken lines forming no part of the claimed design; FIG. 2 is a front side elevation view thereof; FIG. 3 is a back side elevation view thereof; FIG. 4 is a left side elevation view thereof; FIG. 5 is a right side elevation view thereof; FIG. 6 is a top plan view thereof; and, FIG. 7 is a back, bottom, and left side perspective view thereof.

1 Claim, 6 Drawing Sheets



(56)

References Cited

U.S. PATENT DOCUMENTS

D517,792 S 3/2006 Sedlbauer
 D524,019 S 7/2006 Matis et al.
 D539,024 S 3/2007 Belley et al.
 D547,540 S 7/2007 Maderspach
 D551,407 S * 9/2007 Caruso D32/40
 D556,438 S 12/2007 Maderspach
 D575,951 S 9/2008 St-Louis
 D582,651 S 12/2008 Andersen et al.
 D589,264 S * 3/2009 Hanafusa D5/56
 D599,539 S 9/2009 St-Louis
 D632,882 S 2/2011 O'Rorke
 D635,345 S * 4/2011 Spring D2/970
 D647,705 S * 11/2011 Missoni D5/56
 D647,706 S * 11/2011 Missoni D5/56
 D648,929 S 11/2011 Van Zyll De Jong et al.
 D660,570 S 5/2012 Joseph
 D662,304 S 6/2012 Spring
 D664,345 S 7/2012 Joseph
 D677,871 S 3/2013 Portzline
 D677,873 S 3/2013 Portzline
 D678,666 S 3/2013 Portzline
 D699,932 S 2/2014 Lubart
 D701,024 S 3/2014 Youngs et al.
 D701,372 S 3/2014 Portzline
 D701,377 S 3/2014 Spring
 D701,683 S 4/2014 Neely
 D740,534 S 10/2015 Spring
 D754,425 S 4/2016 Deas
 D766,564 S * 9/2016 Radabaugh D2/970
 D769,000 S * 10/2016 Bichlmeier D5/7
 D780,463 S * 3/2017 Bichlmeier D5/7
 D785,341 S * 5/2017 Cole D5/56
 D790,186 S * 6/2017 Chung D2/970
 D795,541 S 8/2017 Henrichot et al.
 D858,973 S * 9/2019 Vega D2/970
 D866,934 S 11/2019 Zeng
 D874,808 S 2/2020 Prochmann
 D899,060 S * 10/2020 Prochmann D2/970

FOREIGN PATENT DOCUMENTS

CN 201730547528 * 12/2018
 CN 201730573379 * 12/2018

OTHER PUBLICATIONS

Bernardo, Drea Bootie, (2021), DSW.com, [site visited Jan. 3, 2022], Available from URL: <https://www.dsw.com/en/us/product/>

bernardo-drea-bootie/524555?activeColor=050&rrec=true (Year: 2021).*

Cat and Jack, Toddler Denver Winter Boots, (2021), Target.com, [site visited: Jan. 3, 2022], Available from URL: <https://www.target.com/p/toddler-denver-winter-boots-cat-jack/-/A-82615206?preselect=82181909#lnk=sametab> (Year: 2021).*

Baretraps, Flash Snow Boot, (2021), DSW.com, [site visited: Jan. 3, 2022], Available from URL: <https://www.dsw.com/en/us/product/baretraps-flash-snow-boot/524881?activeColor=301> (Year: 2021).*

Muck Boots—Womens Hale Rubber Boots—Round Toe—Country Outfitter, (2021), CountryOutfitter.com, [site visited: Jan. 3, 2022], Available from URL: https://www.countryoutfitter.com/muck-boots-womens-hale-rubber-boots---round-toe/2000332888.html?gclid=EAlalQobChMlrb3D75OW9QIVBK7lCh28nwLPEAQYDSABEgl0c_D_BwE&source=CSE_GoogleShopping_Apparel_and_Accessories-Shoes_2000332888&colorCode=001&ef_id=EAlalQobChM (Year: 2021).*

Thread Domain, Tribal Zigzag Pattern, (2021), ThreadDomain.com, [site visited: Jan. 3, 2022], Available from URL: https://threaddomain.com/products/tribal-zigzag-pattern?currency=USD&utm_medium=cpc&utm_source=google&utm_campaign=Google%20Shopping (Year: 2021).*

Mou, Zigzag Pattern Boots, Farfetch, (2021), Farfetch.com, [site visited Jan. 3, 2022], Available from URL: https://www.farfetch.com/shopping/women/mou-zigzag-pattern-boots-item-17365002.aspx?fsb=1&size=25&storeid=9026&utm_source=google&utm_medium=cpc&utm_keywordid=119356210&utm_shoppingproductid=17365002-5156&pid=google_search&af_channel=Search&c=2069920048&af_c_id=206992004 (Year: 2021).*

Kamik Boot, Girls Snowbuster 2 (Toddler/Little Kid), (Jun. 20, 2021), Amazon.com, Available from URL: <https://us.kamik.com/collections/kids-footwear-winter-boots/products/snobuster-2?variant=40958778376349> (Year: 2021).*

Vince Camuto, Medjey Bootie, (2022), DSW.com, Available from URL: https://www.dsw.com/en/us/product/vince-camuto-medjey-bootie/516273?activeColor=230&cm_mmc=CSE--GPS--G_Shopping_Boots%20%26%20Booties--New_Boots%20%26%20Booties&cadevice=c&gclid=EAlalQobChMlha--sJeW9QIVD5ezCh2GkQD0EAQYAyABEgLDfVd_BwE&gclsrc=aw.ds (Year: 2022).*

Gucci, Womens Chevron Boot with Horsebit, (2022), Gucci, [site visited: Jan. 3, 2022], Available from URL: <https://www.gucci.com/us/en/pr/women/shoes-for-women/boots-and-booties-for-women/womens-chevron-boot-with-horsebit-p-673559UFR205760> (Year: 2022).*

* cited by examiner



FIG. 1

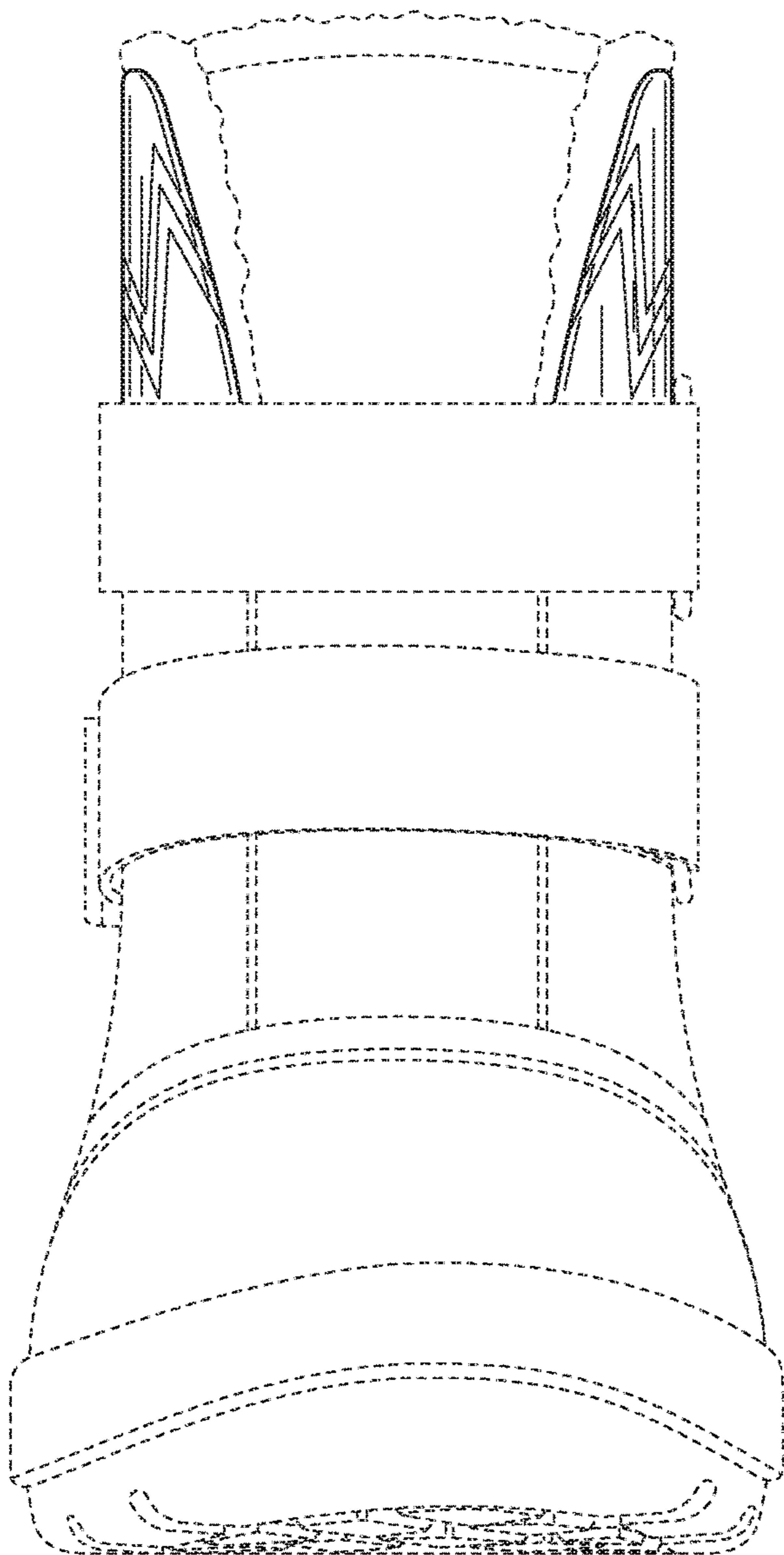


FIG. 2

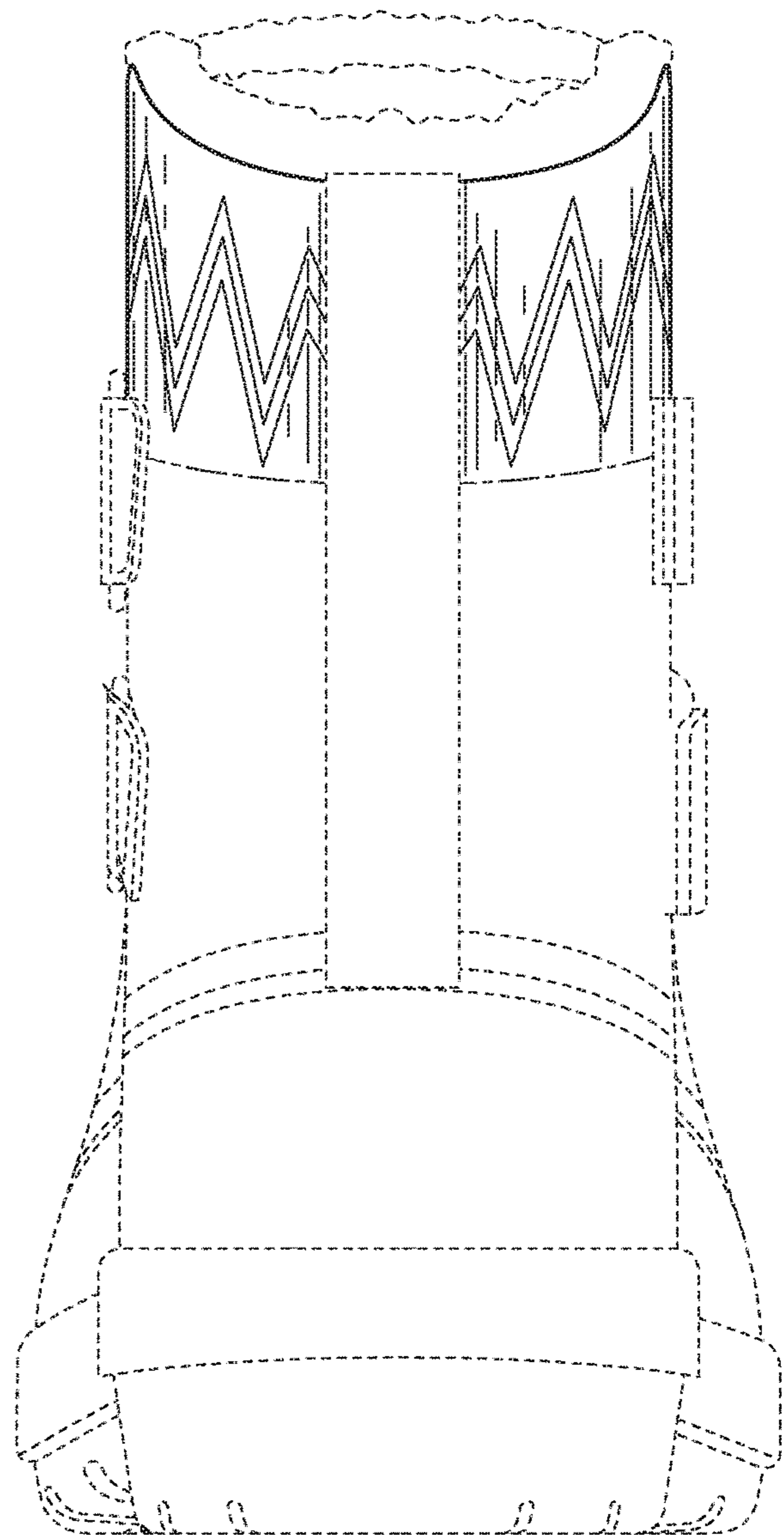


FIG. 3



FIG. 4



FIG. 5

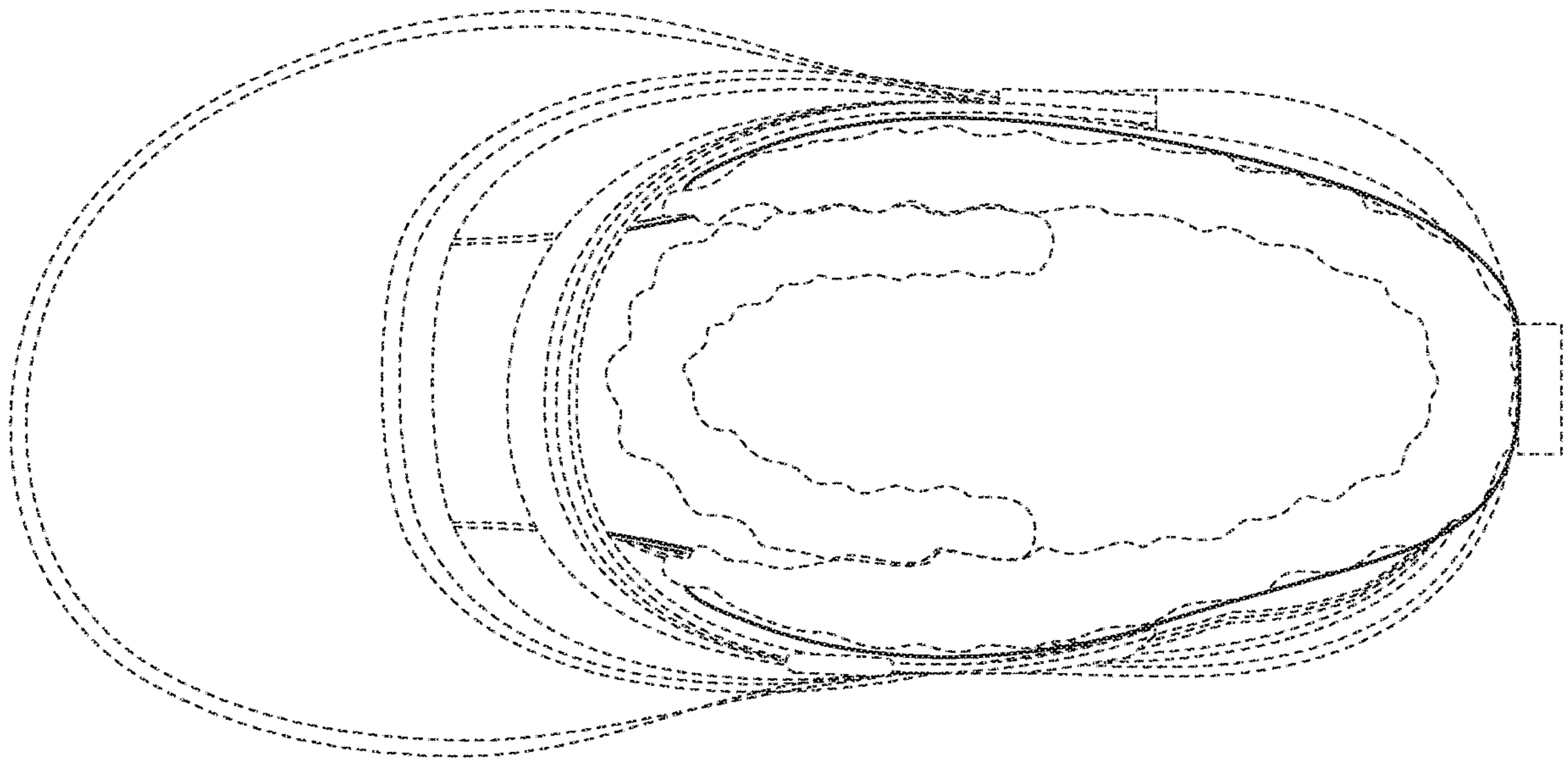


FIG. 6

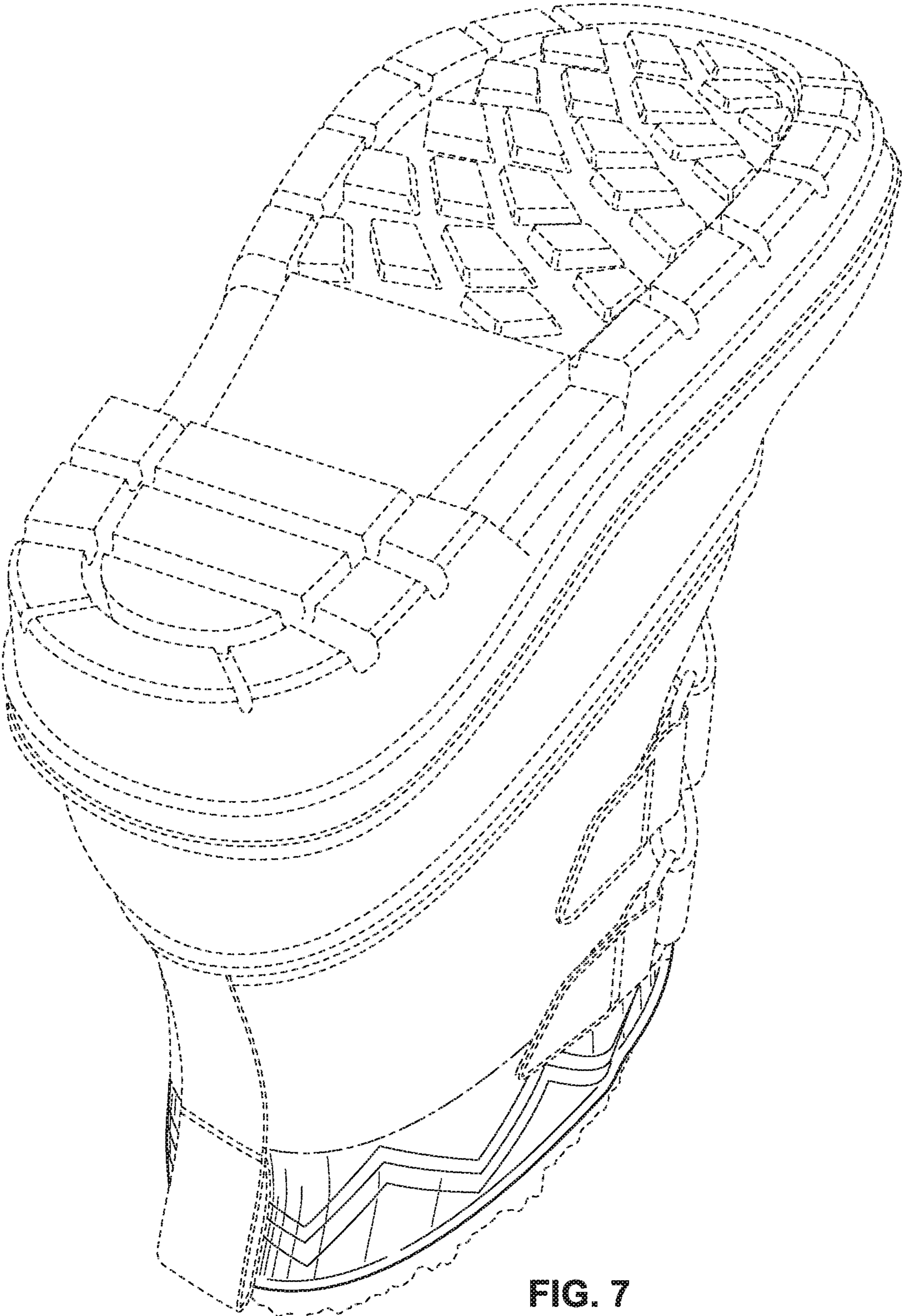


FIG. 7