



US00D950917S

(12) **United States Design Patent**
Dunham

(10) **Patent No.:** **US D950,917 S**

(45) **Date of Patent:** **** May 10, 2022**

(54) **FOOTWEAR**

(71) Applicant: **Target Brands, Inc.**, Minneapolis, MN
(US)

(72) Inventor: **Austyn Dunham**, Minneapolis, MN
(US)

(73) Assignee: **Target Brands, Inc.**, Minneapolis, MN
(US)

(**) Term: **15 Years**

(21) Appl. No.: **29/754,809**

(22) Filed: **Oct. 14, 2020**

(51) **LOC (13) Cl.** **02-04**

(52) **U.S. Cl.**
USPC **D2/969**

(58) **Field of Classification Search**
USPC D2/896, 900, 902, 904, 906–908,
D2/916–924, 925–945, 969–979; 36/1.5,
36/3 A, 83, 45, 99, 101, 112–116, 136
(Continued)

(56) **References Cited**

U.S. PATENT DOCUMENTS

D290,062 S * 6/1987 Valori D2/899
D451,271 S * 12/2001 Gerber D2/972
(Continued)

OTHER PUBLICATIONS

These Nylon Prada Boots Are Like Puffers For Your Feet, Hypebeast.com, Aug. 3, 2021, [online], [site visited Dec. 16, 2021]. <URL: <https://hypebeast.com/2021/8/prada-releases-padded-nylon-boots>> (Year: 2021).*

(Continued)

Primary Examiner — Jonathan J Han

(74) *Attorney, Agent, or Firm* — Merchant & Gould P.C.

(57) **CLAIM**

The ornamental design for a footwear, as shown and described.

DESCRIPTION

FIG. 1 is a front, top, and right side perspective view of a first embodiment of a footwear according to the new design; FIG. 2 is a front elevation view of the footwear of FIG. 1; FIG. 3 is a back elevation view of the footwear of FIG. 1; FIG. 4 is a left side elevation view of the footwear of FIG. 1; FIG. 5 is a right side elevation view of the footwear of FIG. 1; FIG. 6 is a top plan view of the footwear of FIG. 1; FIG. 7 is a front, top, and right side perspective view of a second embodiment of a footwear according to the new design; FIG. 8 is a front elevation view of the footwear of FIG. 7; FIG. 9 is a back elevation view of the footwear of FIG. 7; FIG. 10 is a left side elevation view of the footwear of FIG. 7; FIG. 11 is a right side elevation view of the footwear of FIG. 7; FIG. 12 is a top plan view of the footwear of FIG. 7; FIG. 13 is a front, top, and right side perspective view of a third embodiment of a footwear according to the new design; FIG. 14 is a front elevation view of the footwear of FIG. 13; FIG. 15 is a back elevation view of the footwear of FIG. 13; FIG. 16 is a left side elevation view of the footwear of FIG. 13; FIG. 17 is a right side elevation view of the footwear of FIG. 13; FIG. 18 is a top plan view of the footwear of FIG. 13; FIG. 19 is a front, top, and right side perspective view of a fourth embodiment of a footwear according to the new design; FIG. 20 is a front elevation view of the footwear of FIG. 19; FIG. 21 is a back elevation view of the footwear of FIG. 19; FIG. 22 is a left side elevation view of the footwear of FIG. 19; FIG. 23 is a right side elevation view of the footwear of FIG. 19; and,

(Continued)

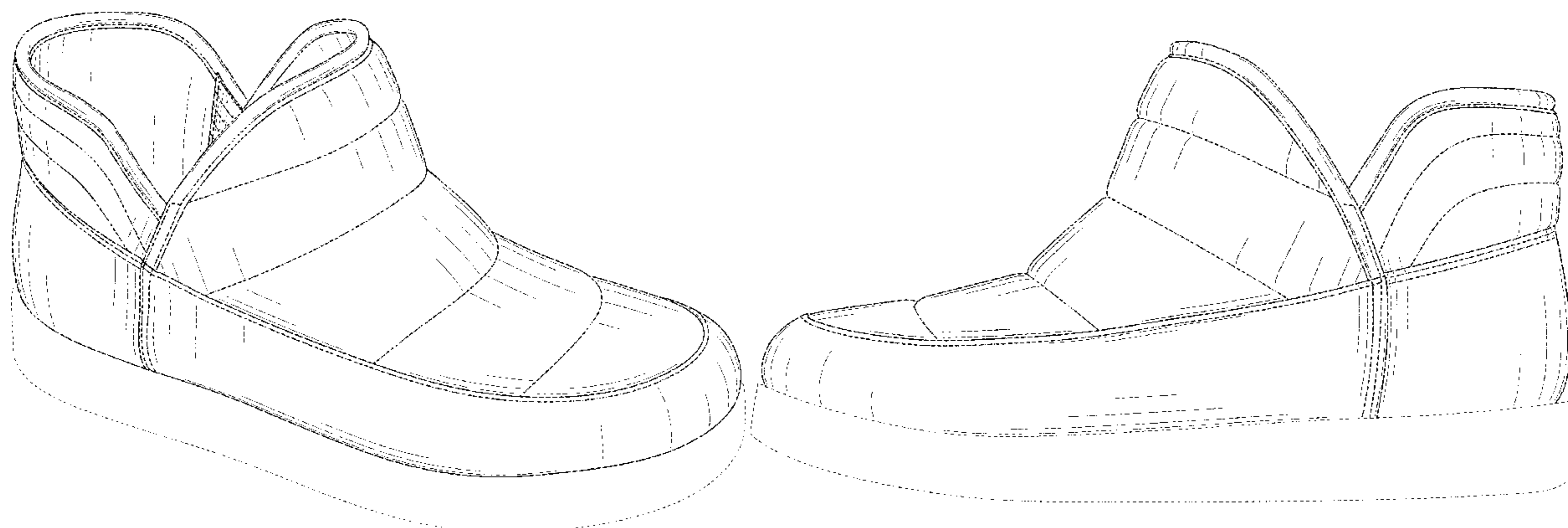


FIG. 24 is a top plan view of the footwear of FIG. 19. In the drawings, the bold broken lines within the shaded areas represent stitching and are part of the claimed design. The portions of the footwear shown in non-bold broken lines form no part of the claimed design.

1 Claim, 24 Drawing Sheets

(58) **Field of Classification Search**

CPC A43B 1/00; A43B 1/02; A43B 1/04; A43B 3/00; A43B 3/02; A43B 3/06; A43B 3/10; A43B 3/12; A43B 3/14; A43B 5/00; A43B 5/001; A43B 5/002; A43B 5/008; A43B 5/06; A43B 5/10; A43B 5/12; A43B 23/00; A43B 23/02; A43B 23/04; A43B 23/14; A43B 23/16; A43B 23/17; A43B 23/24; A43B 23/25; A43B 23/26; A43C 1/00; A43C 5/00; A43C 7/00; A43C 9/00; A43C 11/00

See application file for complete search history.

(56) **References Cited**

U.S. PATENT DOCUMENTS

D476,473 S *	7/2003	Clegg	D2/972
D499,233 S	12/2004	Sedlbauer	
D516,285 S	3/2006	Sedlbauer	
D517,791 S	3/2006	Sedlbauer	
D517,792 S	3/2006	Sedlbauer	
D522,734 S *	6/2006	Lubrano	D2/972
D524,019 S	7/2006	Matis et al.	
D539,024 S	3/2007	Belley et al.	
D547,540 S	7/2007	Maderspach	
D556,438 S	12/2007	Maderspach	
D575,951 S	9/2008	St-Louis	
D582,651 S	12/2008	Andersen et al.	
D593,312 S *	6/2009	Issler	D2/909
D599,539 S	9/2009	St-Louis	
D626,728 S *	11/2010	Tzenos	D2/896
D629,597 S *	12/2010	Ng	D2/970
D632,882 S	2/2011	O'Rorke	
D648,929 S	11/2011	Van Zyll De Jong et al.	
D660,570 S	5/2012	Joseph	

D662,304 S	6/2012	Spring	
D664,345 S	7/2012	Joseph	
D677,871 S	3/2013	Portzline	
D677,873 S	3/2013	Portzline	
D678,666 S	3/2013	Portzline	
D699,932 S	2/2014	Lubart	
D701,024 S	3/2014	Youngs et al.	
D701,372 S	3/2014	Portzline	
D701,377 S	3/2014	Spring	
D701,683 S	4/2014	Neely	
D704,426 S *	5/2014	Dillenbeck	D2/970
D704,427 S *	5/2014	Dillenbeck	D2/970
D704,928 S *	5/2014	Roundhouse	D2/970
D731,763 S *	6/2015	Solstad	D2/910
D734,935 S *	7/2015	Todd	D2/970
D740,534 S	10/2015	Spring	
D754,425 S	4/2016	Deas	
D766,564 S *	9/2016	Radabaugh	D2/970
D767,863 S *	10/2016	Spring	D2/970
D772,549 S *	11/2016	Chung	D2/970
D779,183 S *	2/2017	Arizumi	D2/969
D785,311 S *	5/2017	Yun	D2/972
D790,186 S *	6/2017	Chung	D2/970
D795,541 S	8/2017	Henrichot et al.	
D816,307 S *	5/2018	Hardy	D2/923
D828,981 S *	9/2018	Olsen	D2/909
D838,455 S *	1/2019	Strother	D2/970
D858,951 S *	9/2019	Luh	D2/900
D858,958 S *	9/2019	Louboutin	D2/939
D864,531 S *	10/2019	Tæstensen et al.	D2/910
D866,934 S	11/2019	Zeng	
D868,434 S *	12/2019	Wu	D2/910
D870,426 S *	12/2019	Zeng	D2/943
D874,808 S	2/2020	Prochmann	
D888,396 S *	6/2020	de Biase	D2/971
D896,494 S *	9/2020	Sebastian	D2/970
D907,339 S *	1/2021	Wang	D2/912
D922,753 S *	6/2021	Kim	D2/970
D925,177 S *	7/2021	Wang	D2/923
D927,160 S *	8/2021	Kim	D2/970
D927,161 S *	8/2021	Frain Terras	D2/970

OTHER PUBLICATIONS

Falcotto Poznurr—Stivale imbottito—Platino, Falcotto.com, [online], [site visited Dec. 16, 2021]. <URL: https://www.falcotto.com/it_it/stivale-imbottito-platino-falcotto-poznurr> (Year: 2021).*

* cited by examiner

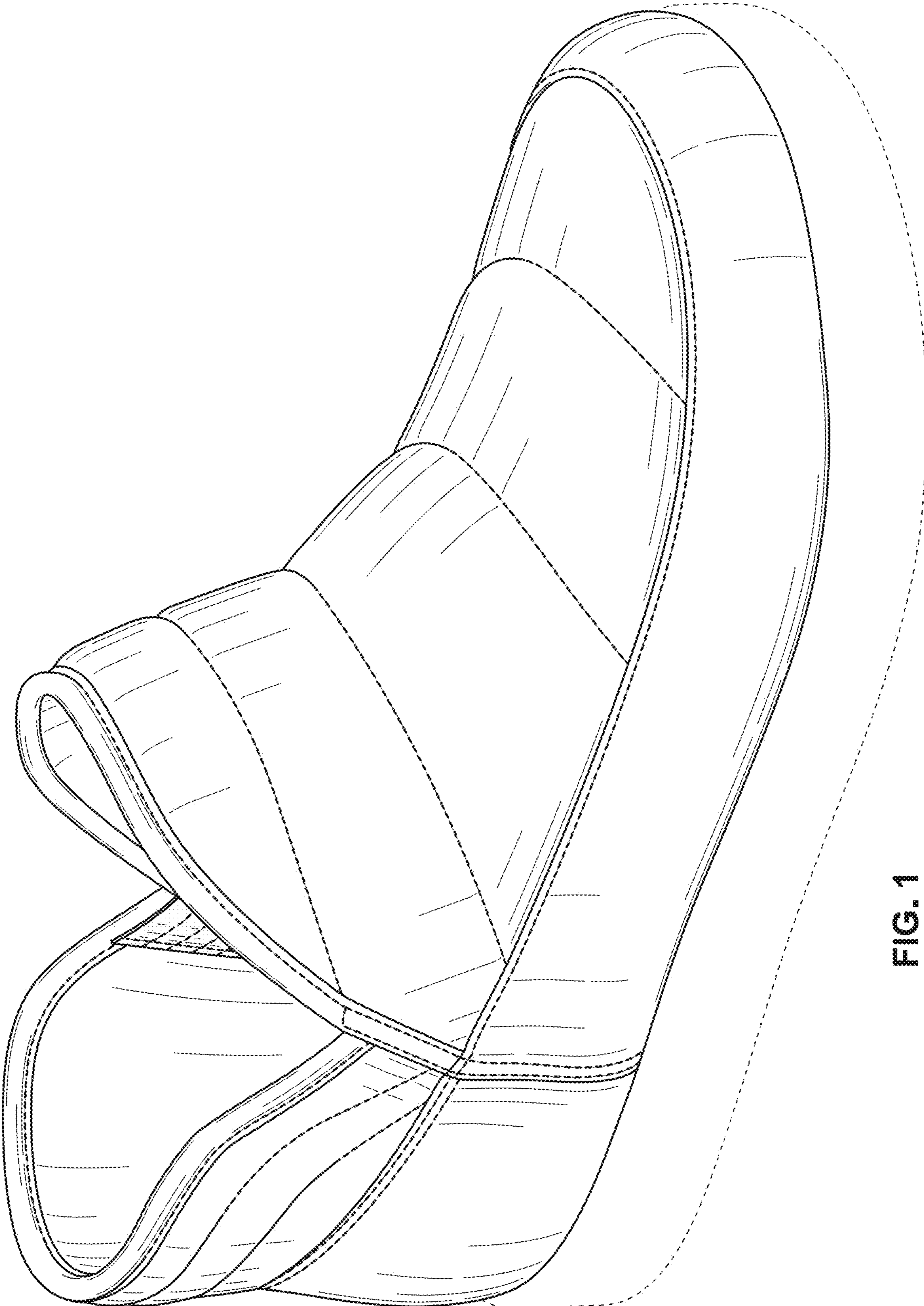


FIG. 1

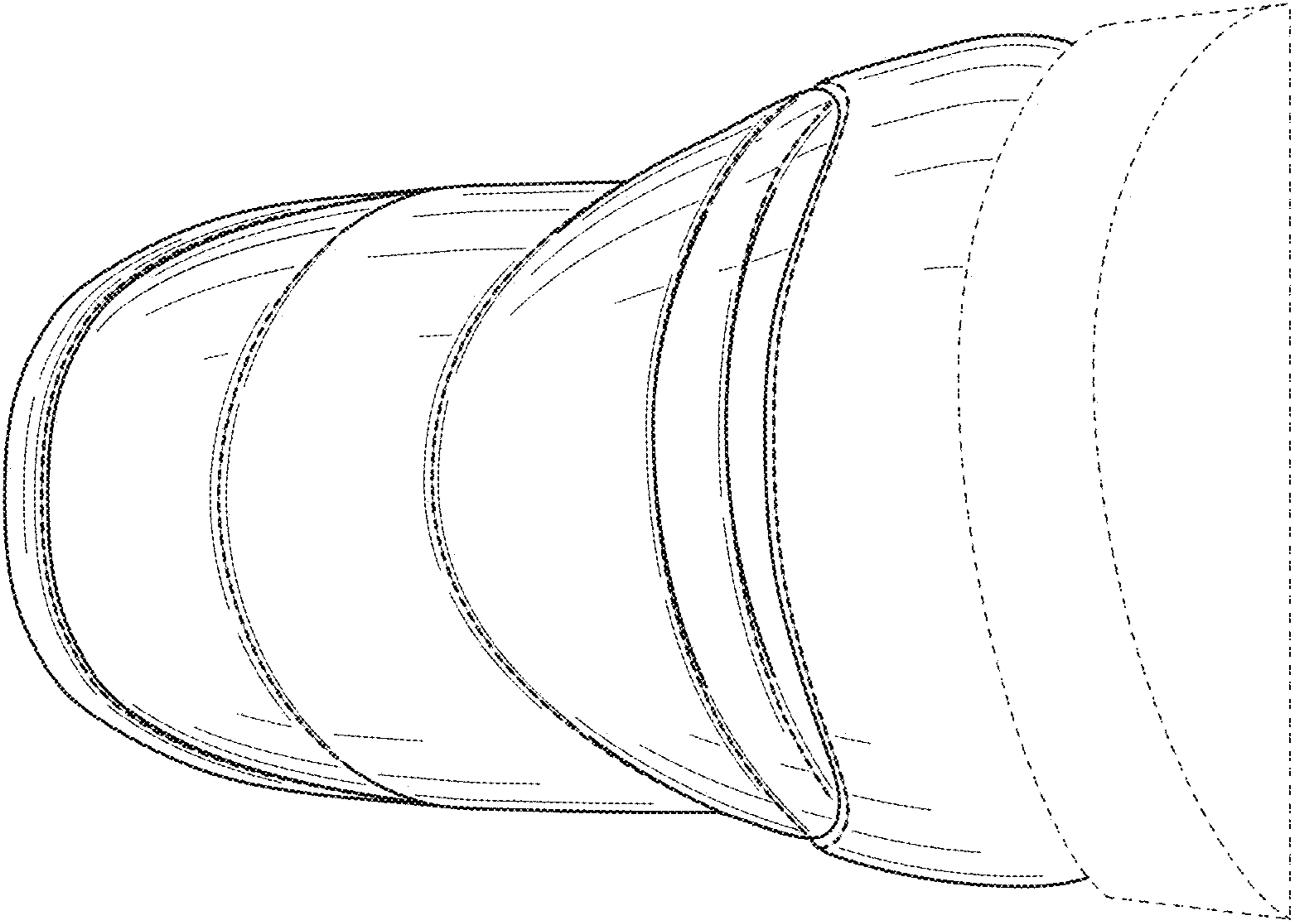


FIG. 2

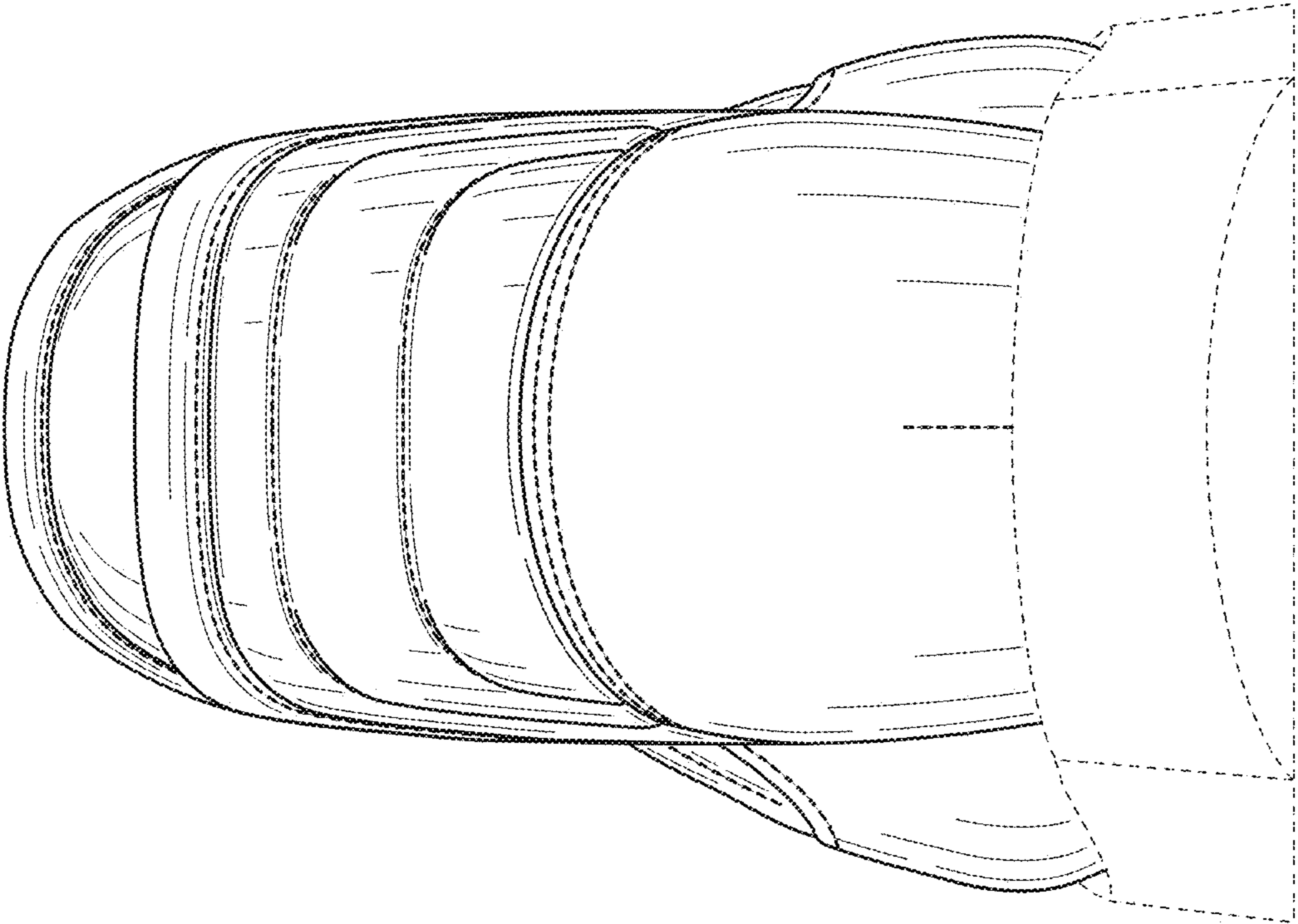


FIG. 3

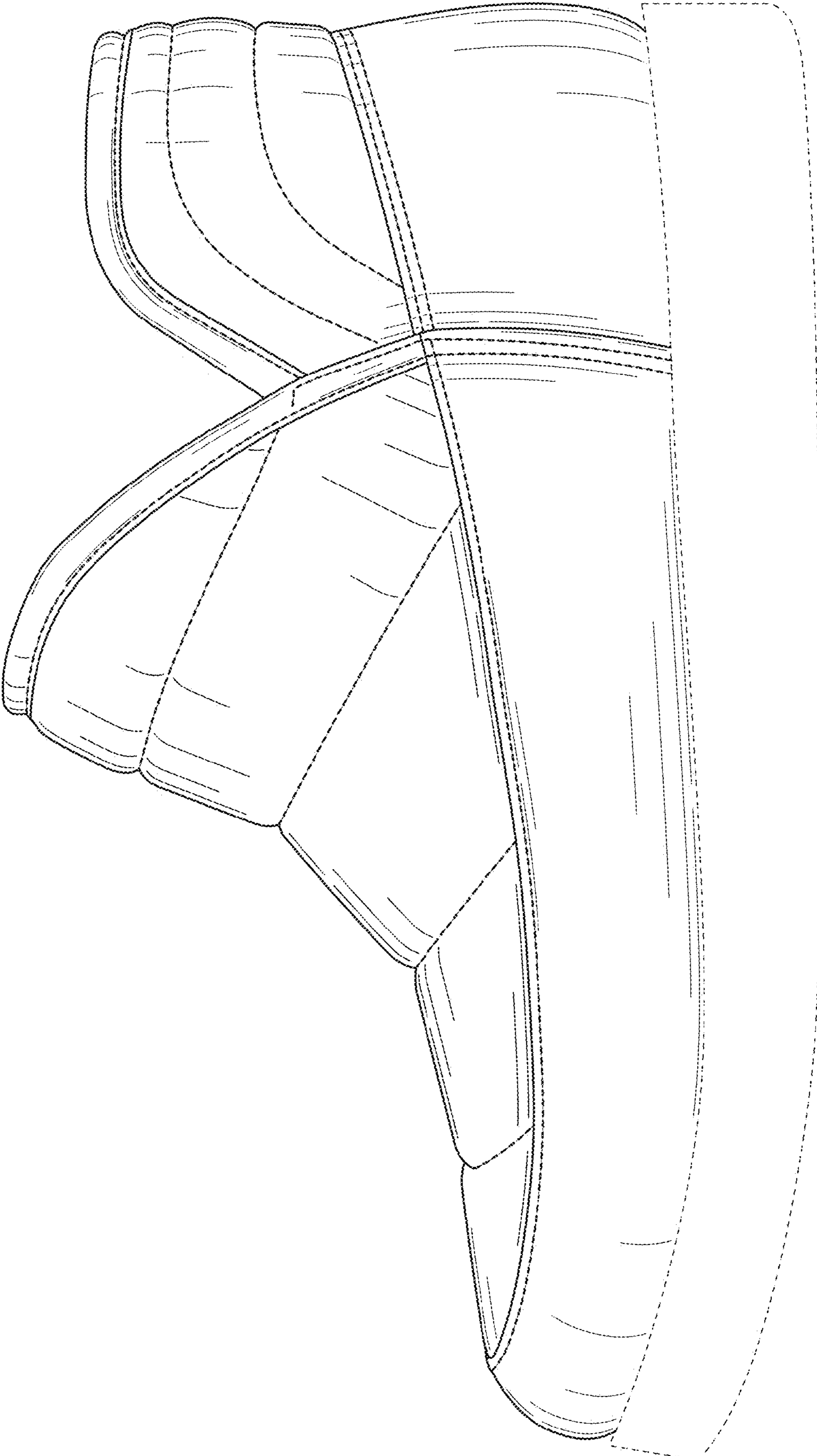


FIG. 4

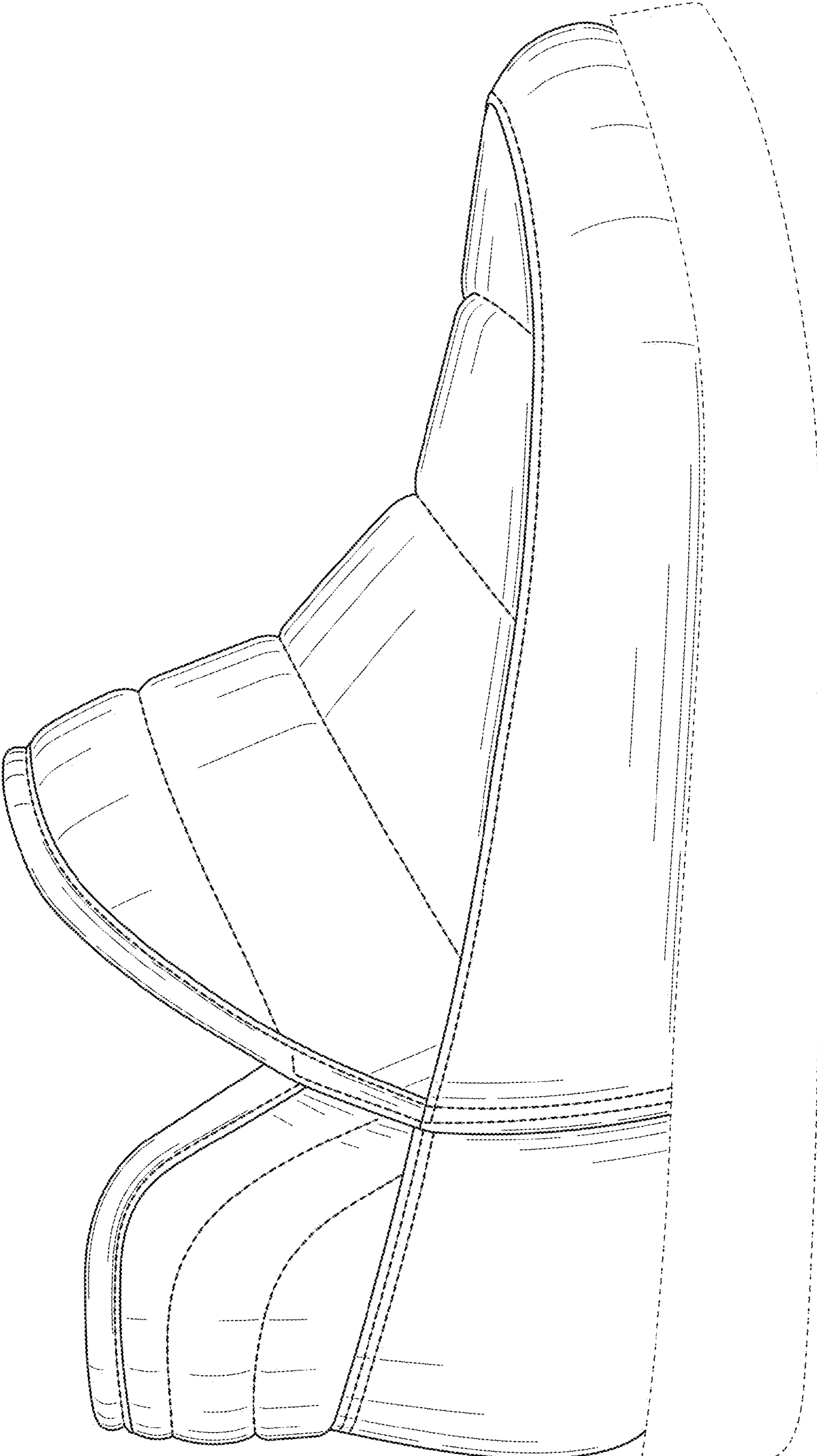


FIG. 5

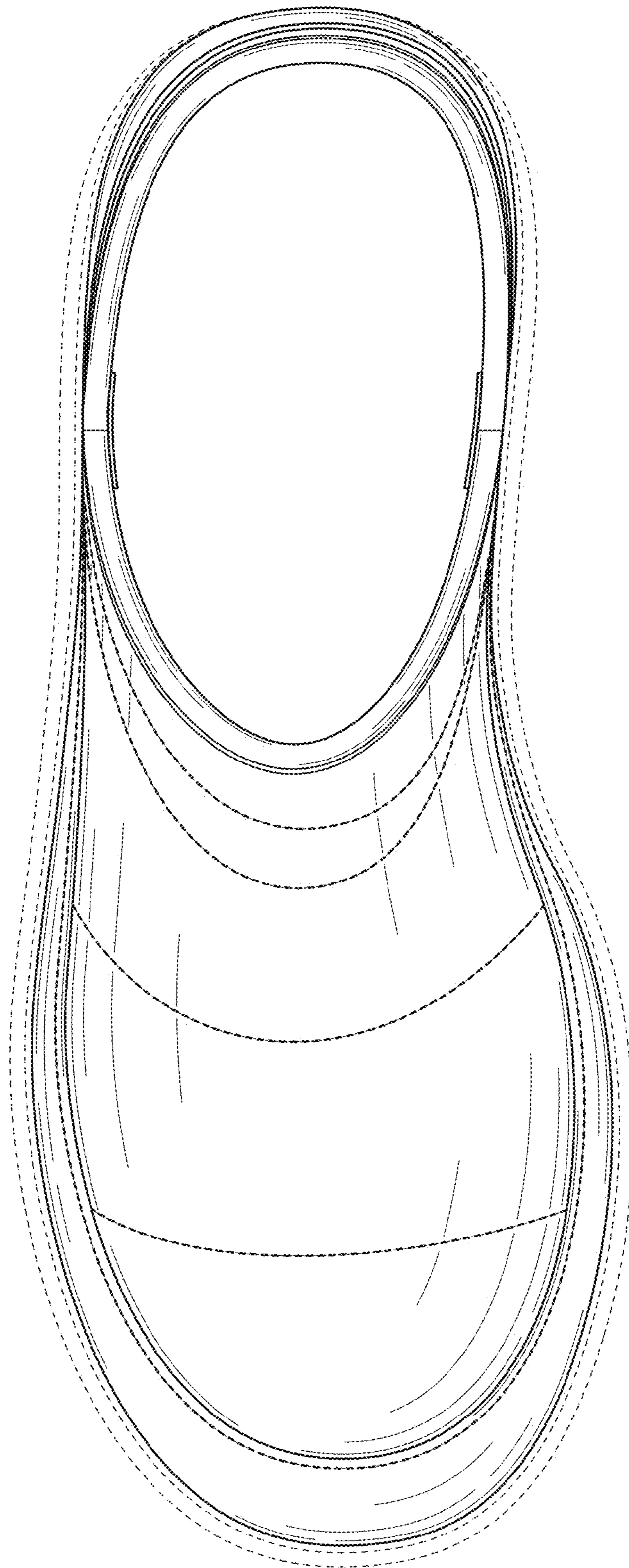


FIG. 6

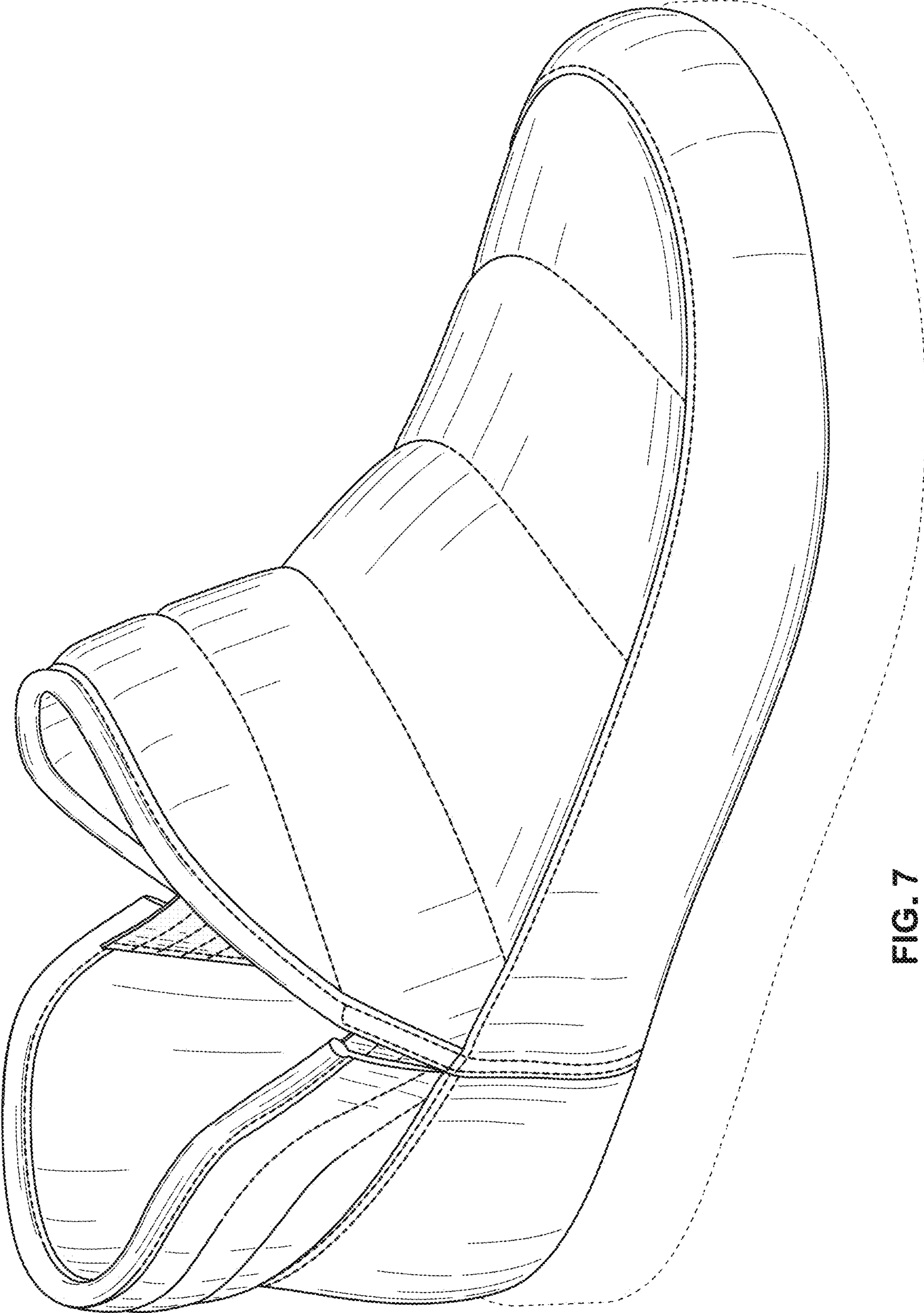


FIG. 7

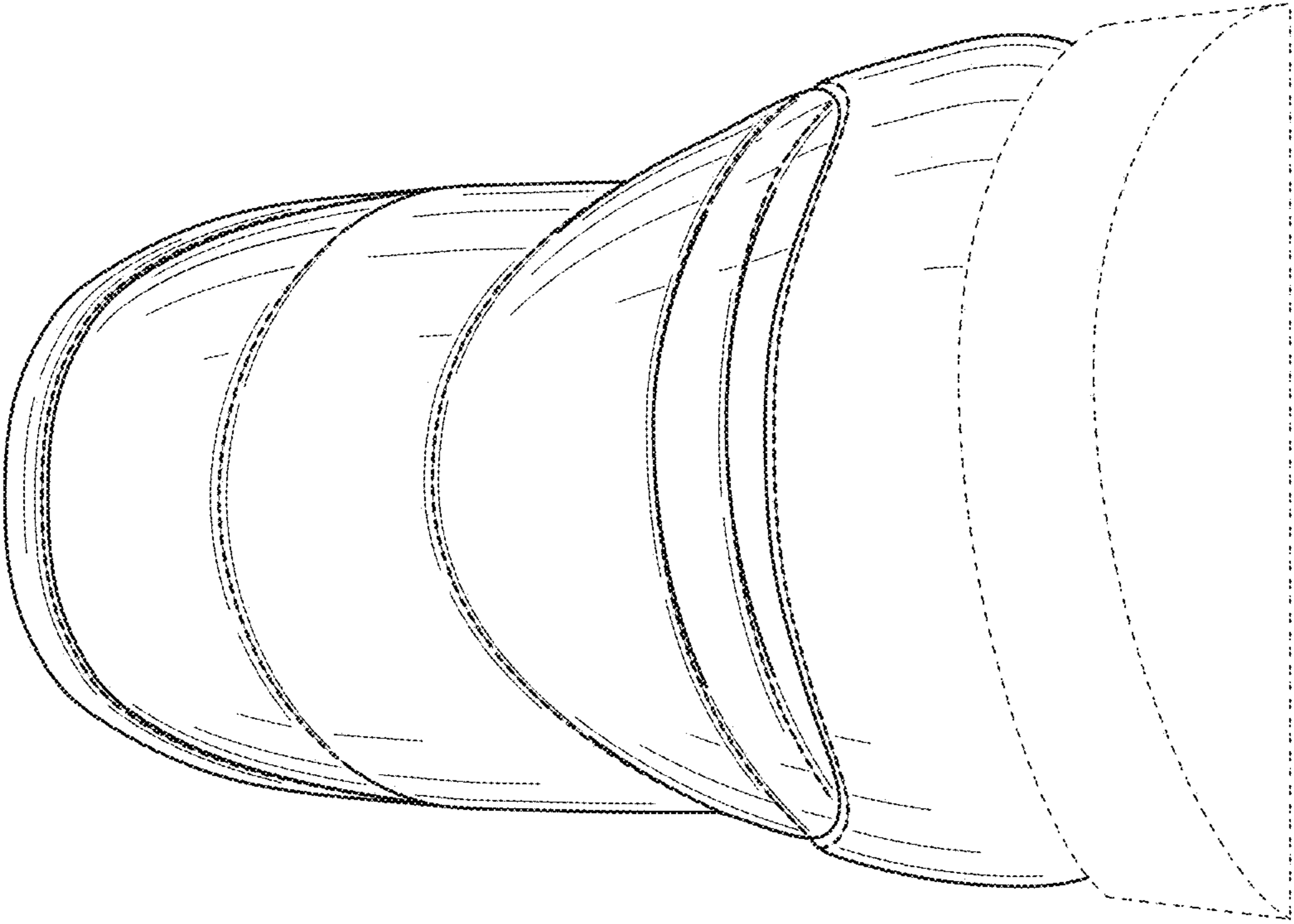


FIG. 8

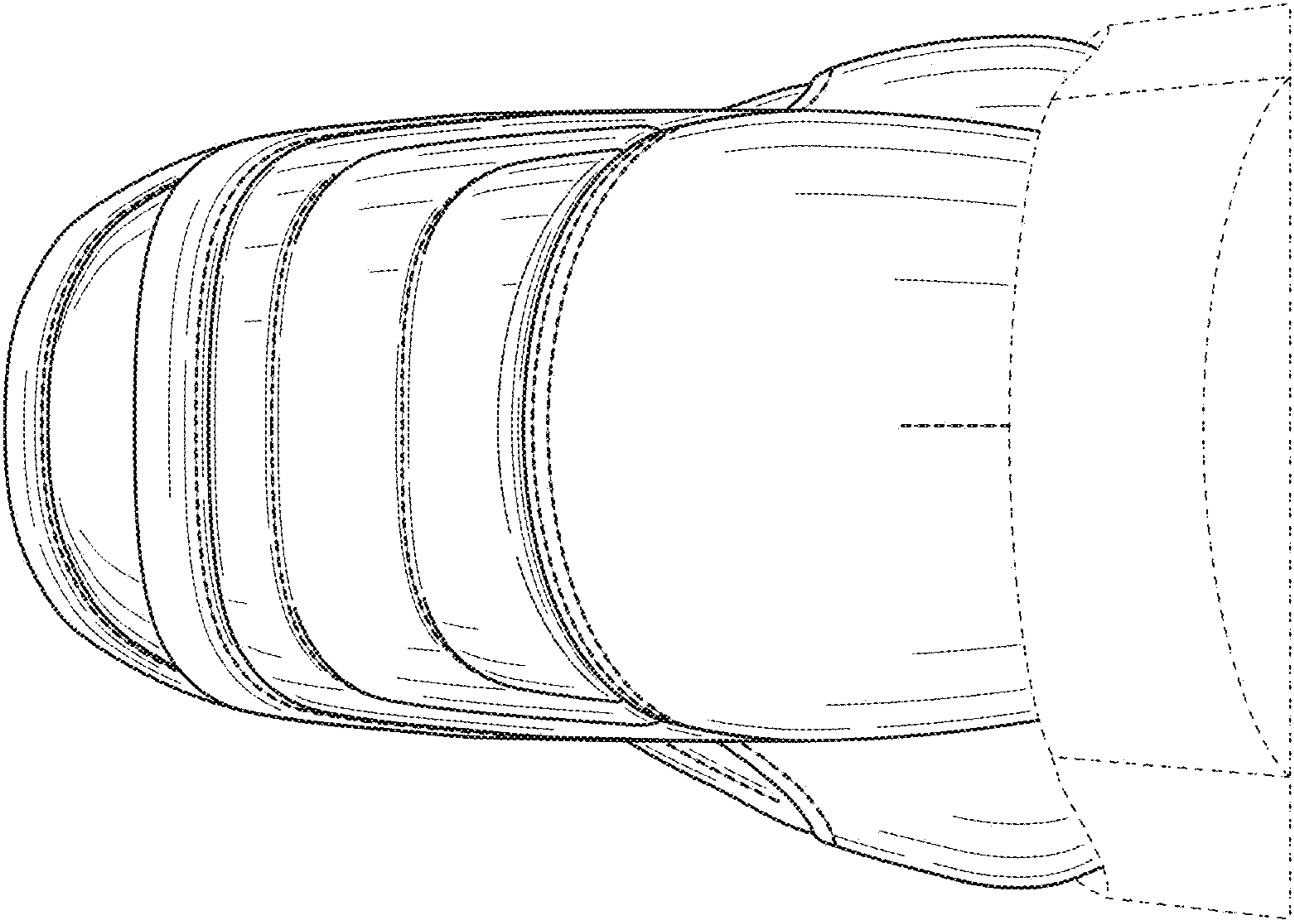


FIG. 9

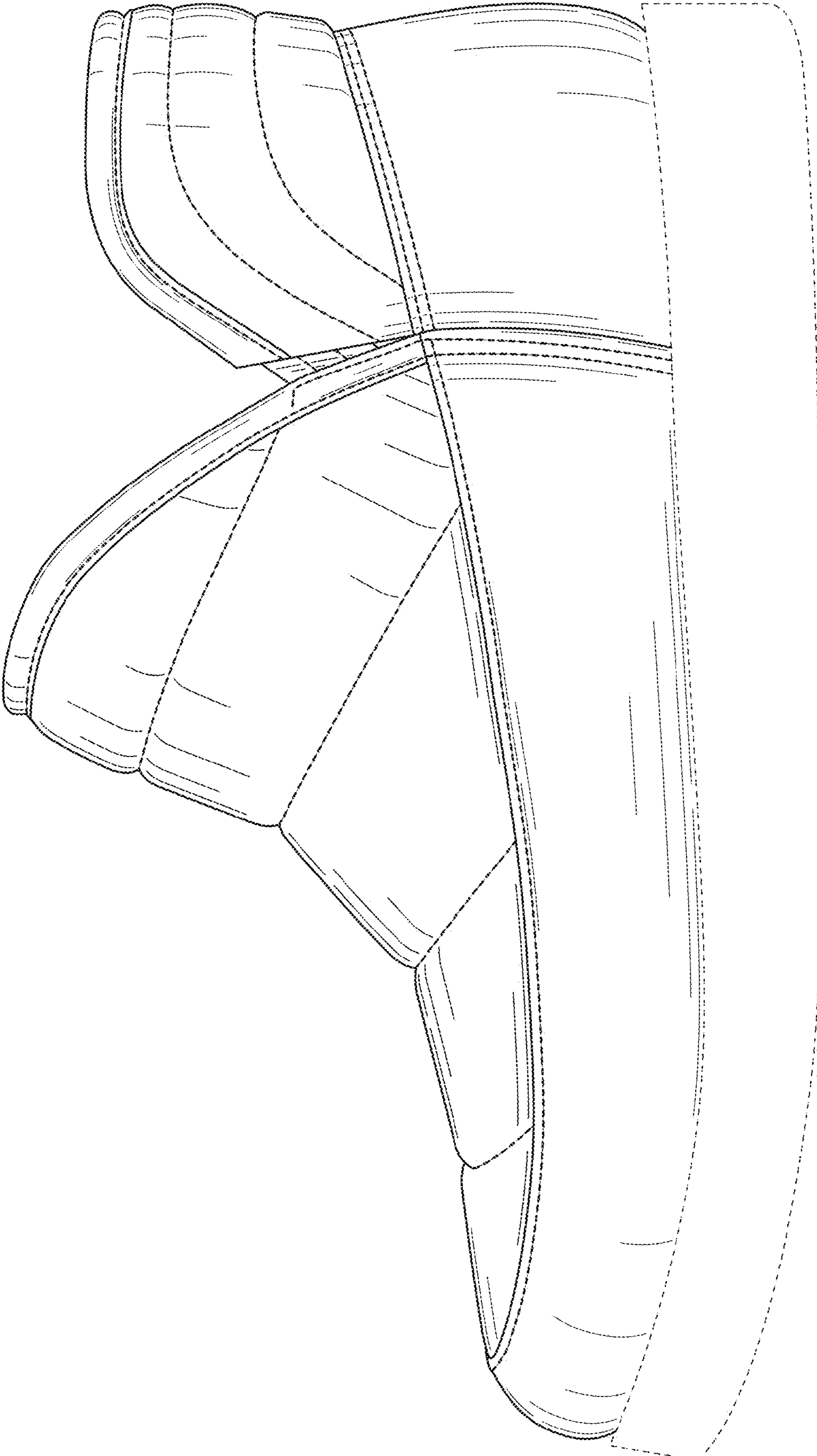


FIG. 10

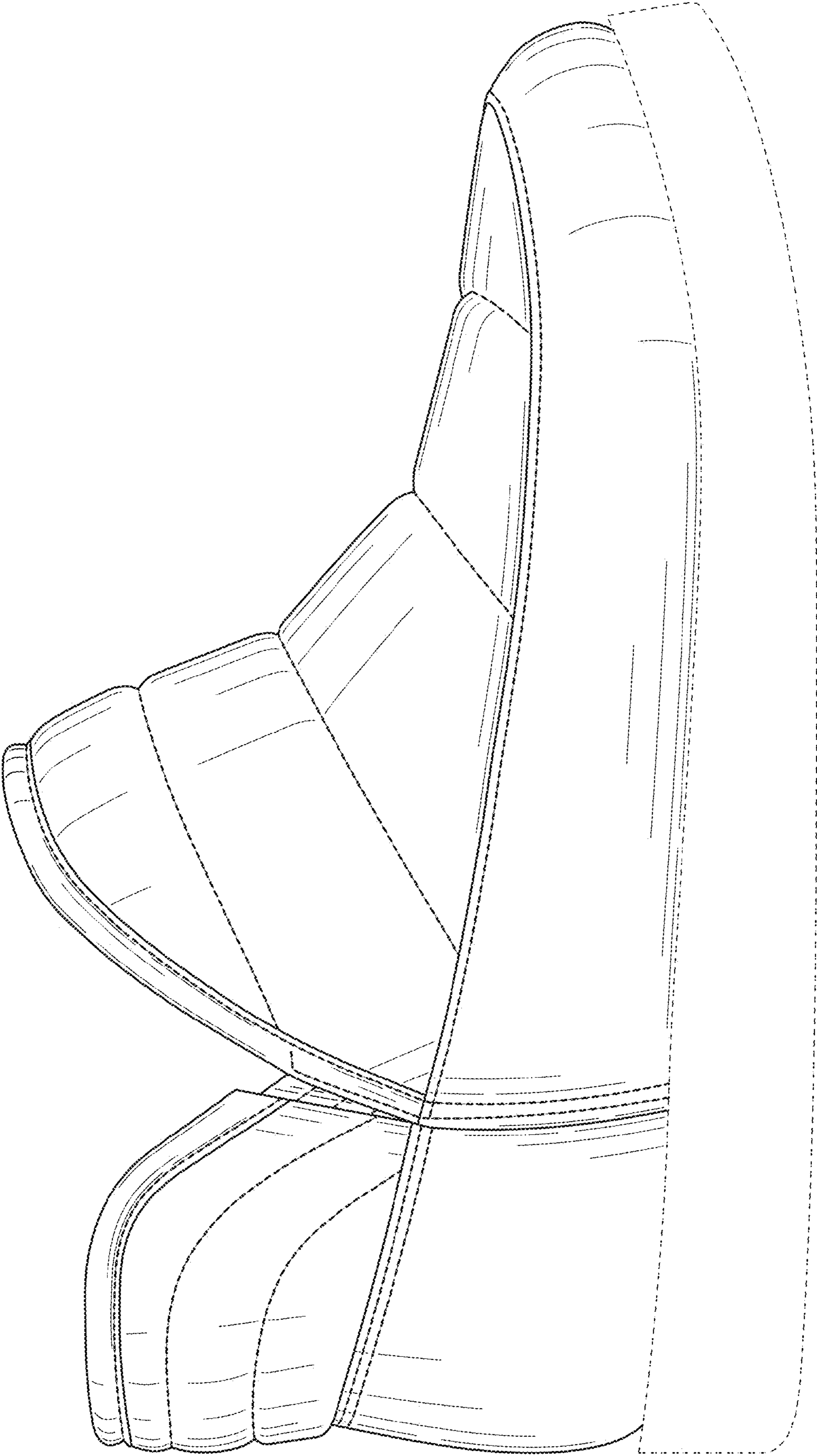


FIG. 11

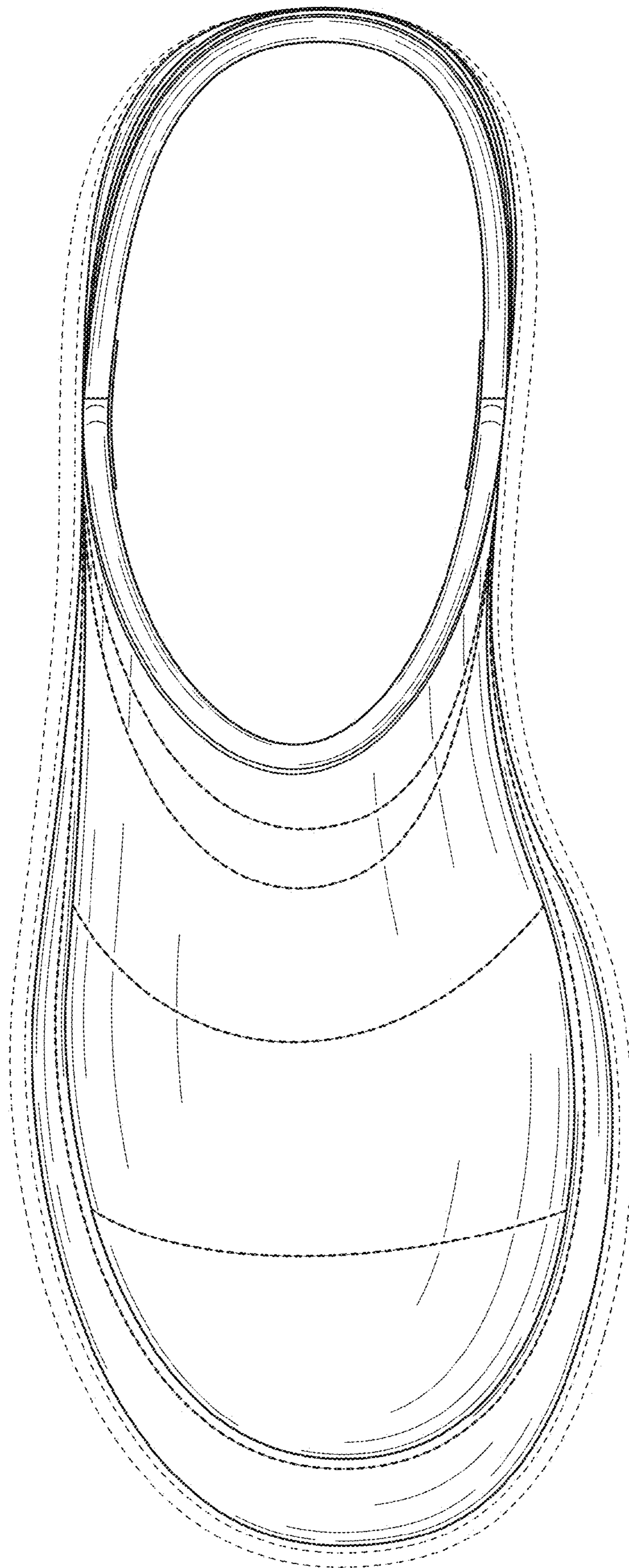


FIG. 12

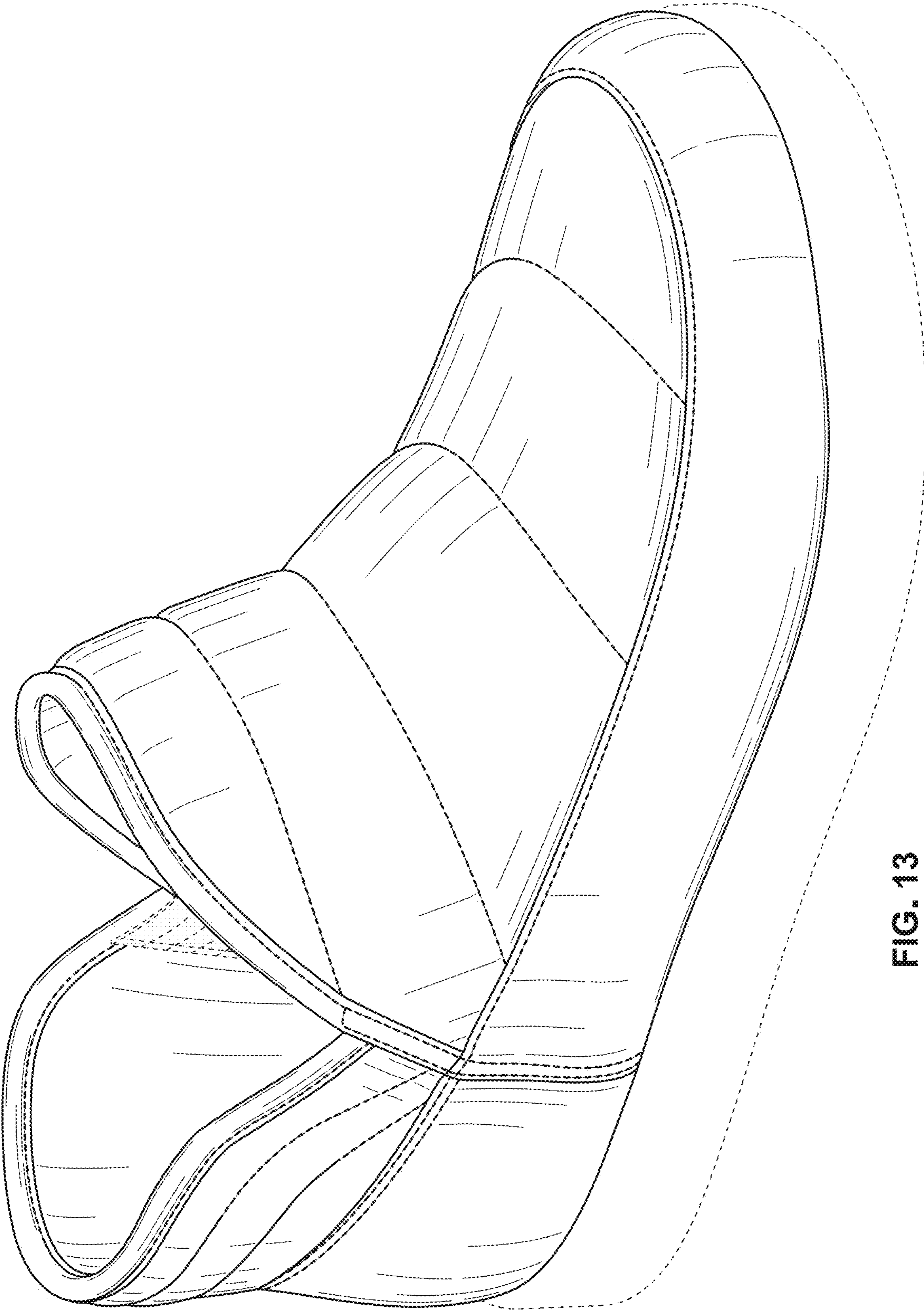


FIG. 13

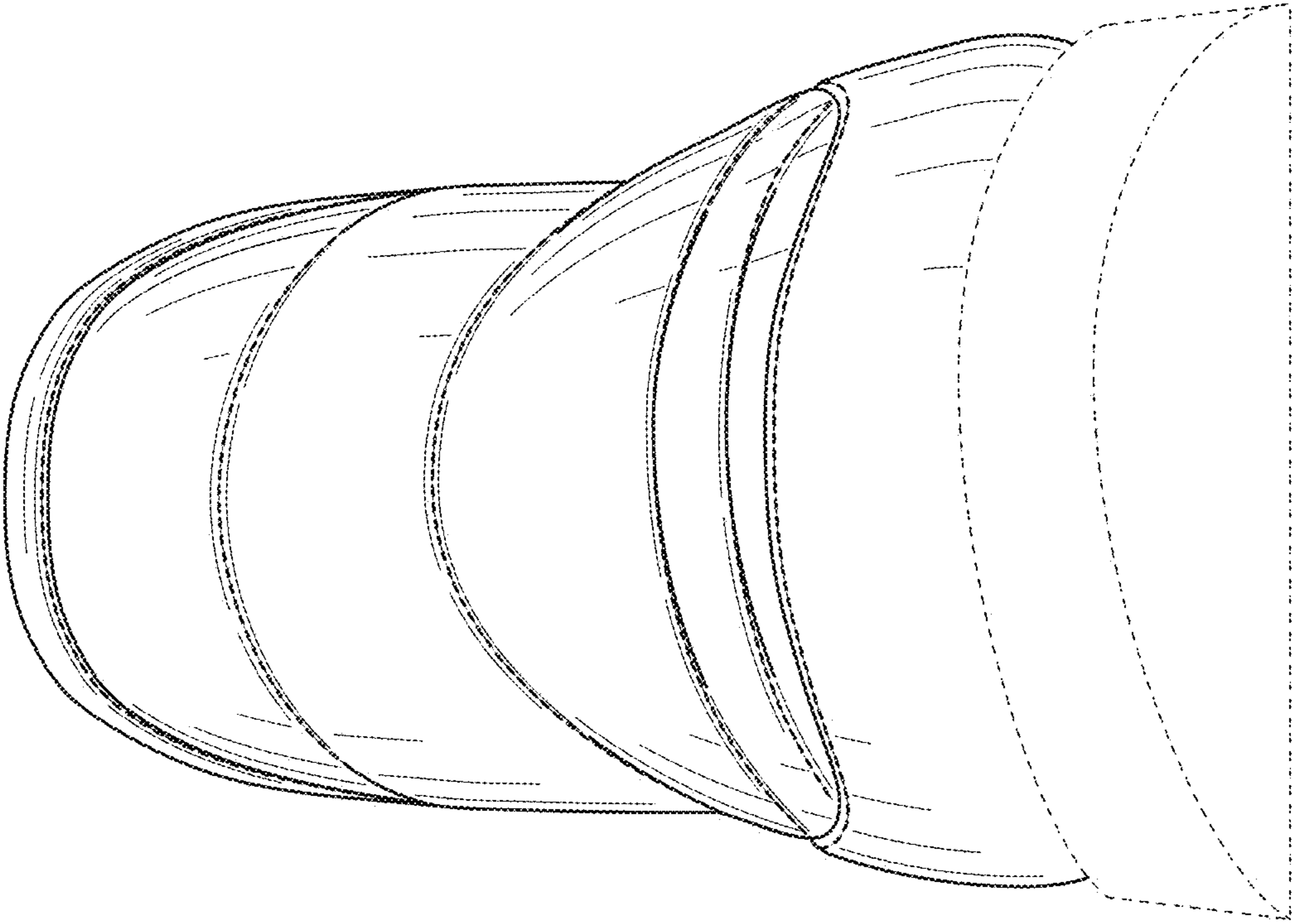


FIG. 14

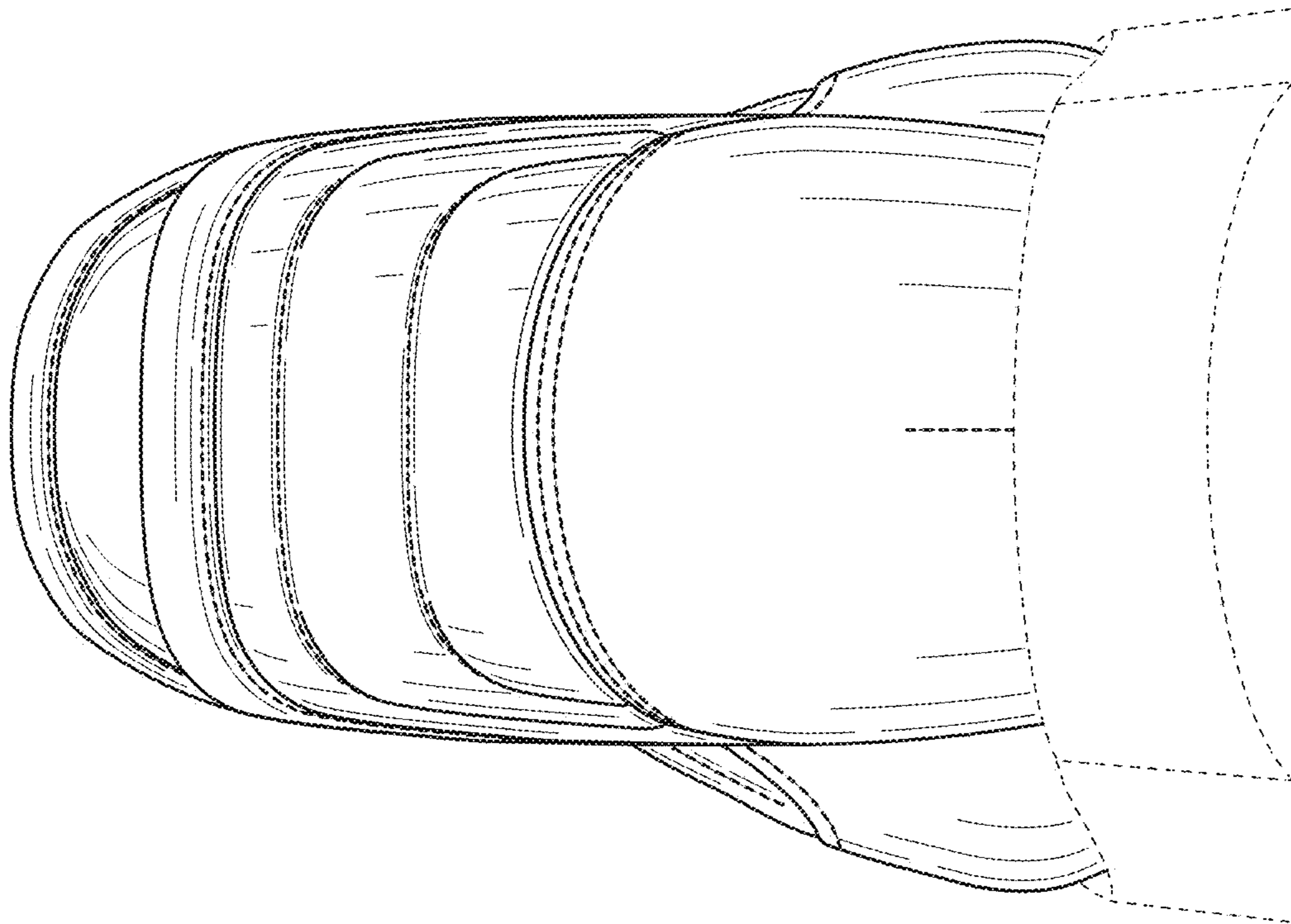


FIG. 15

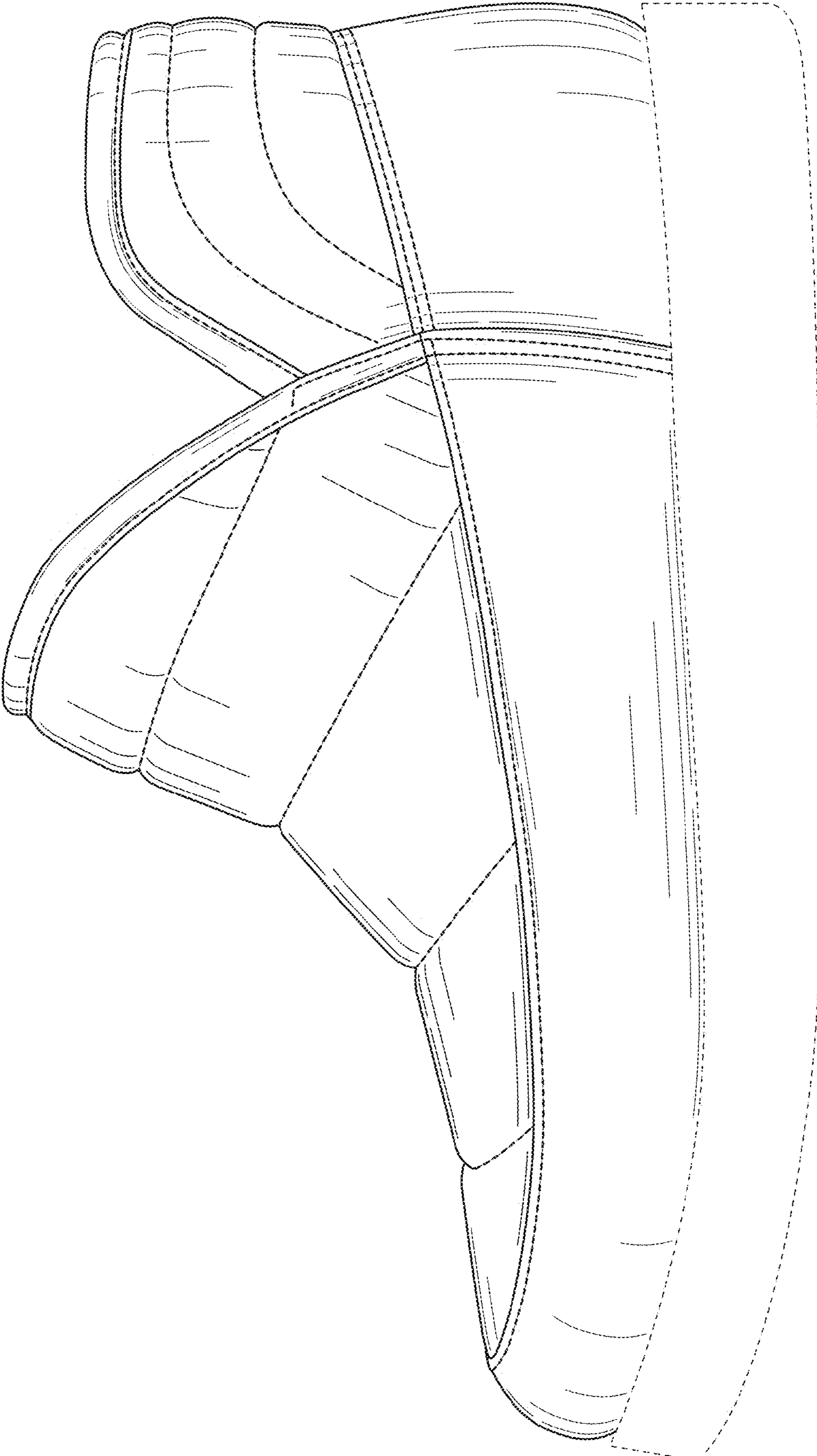


FIG. 16

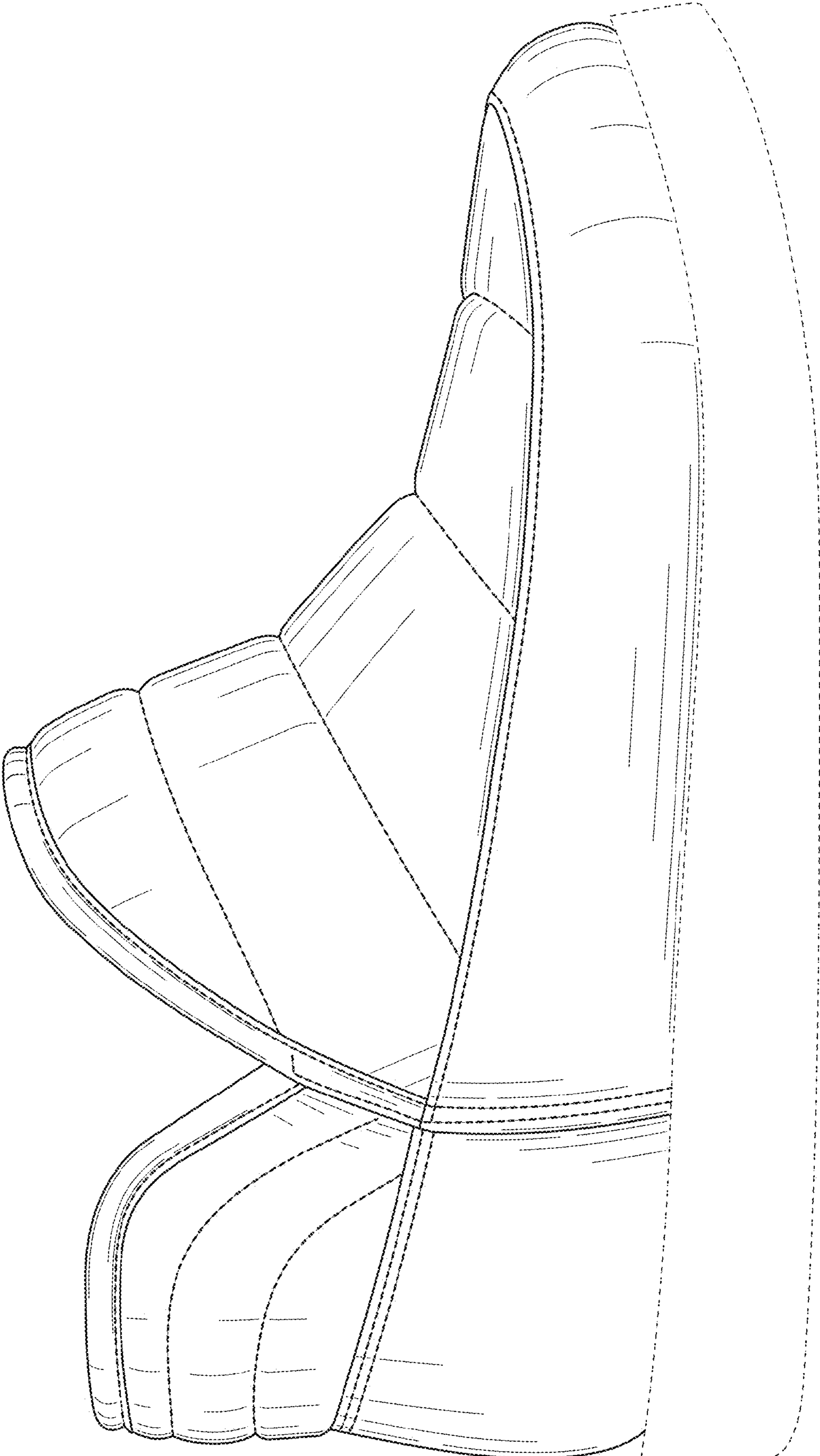


FIG. 17

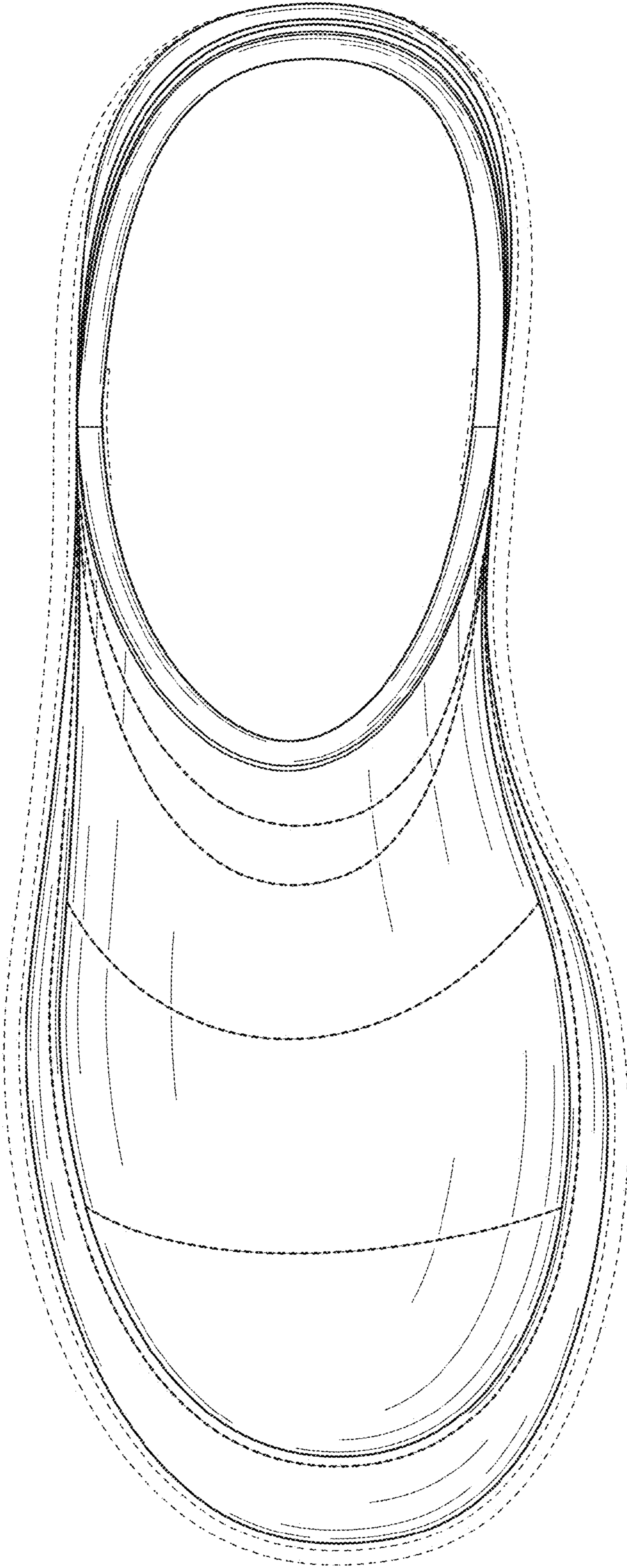


FIG. 18

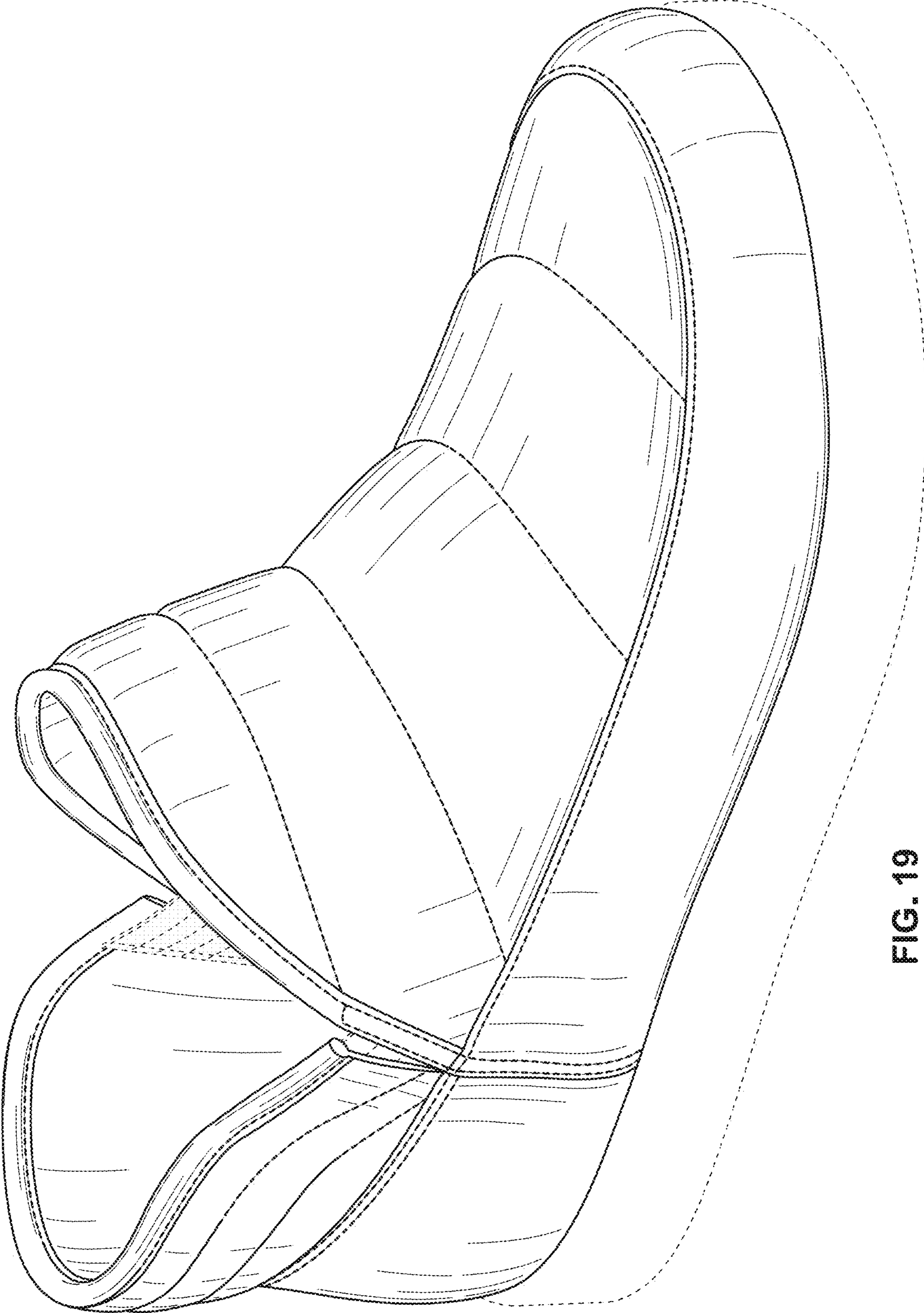


FIG. 19

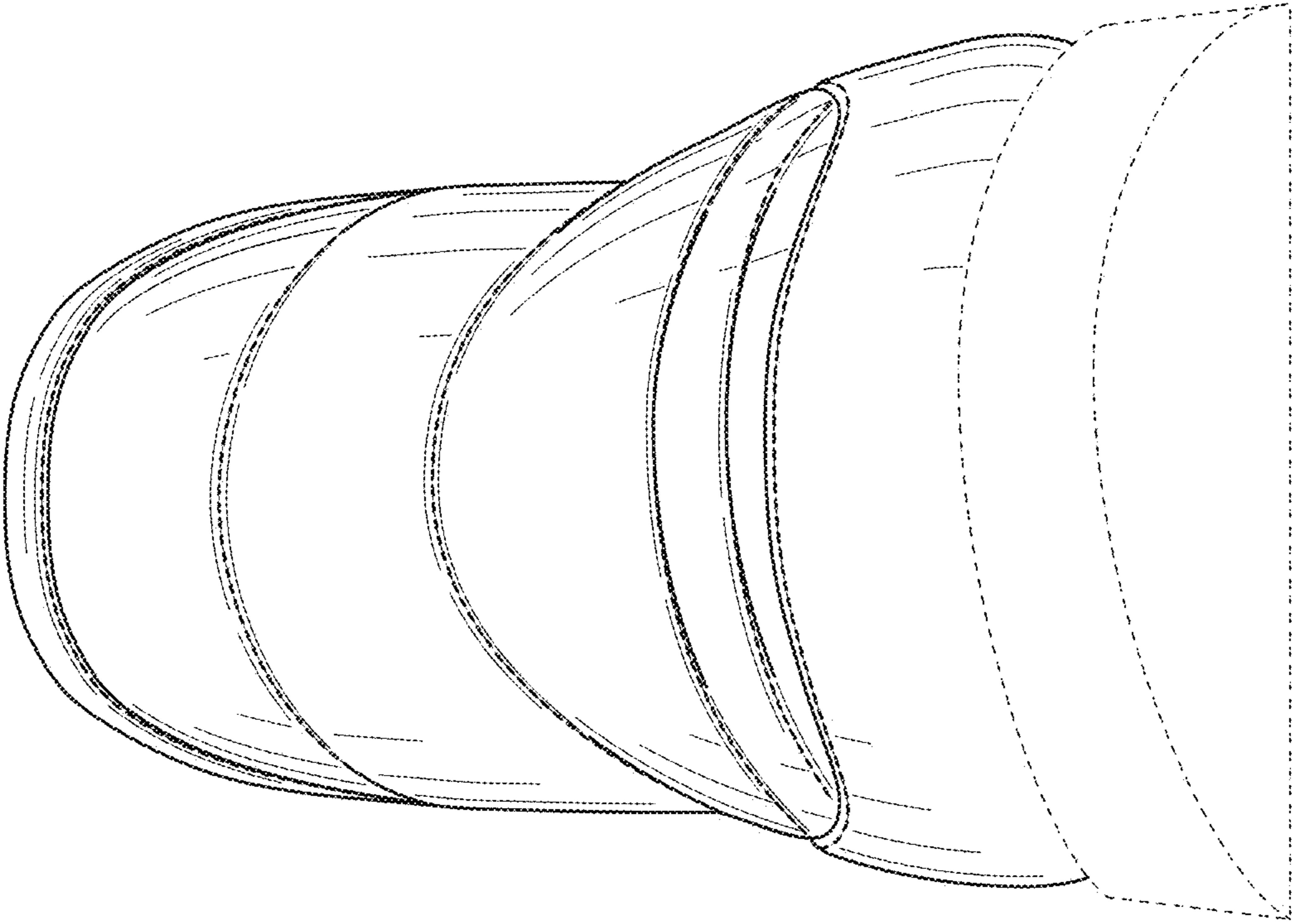


FIG. 20

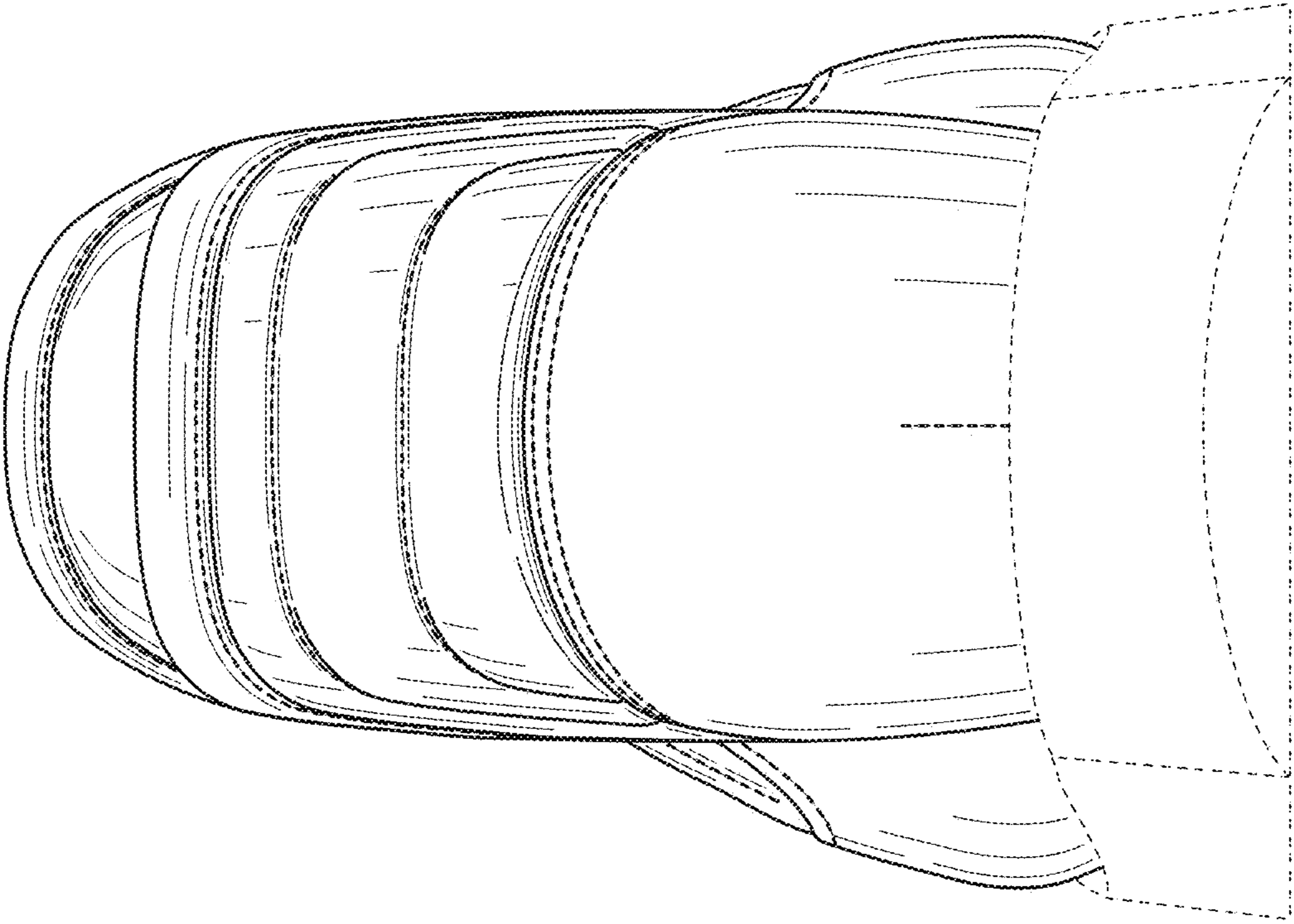


FIG. 21

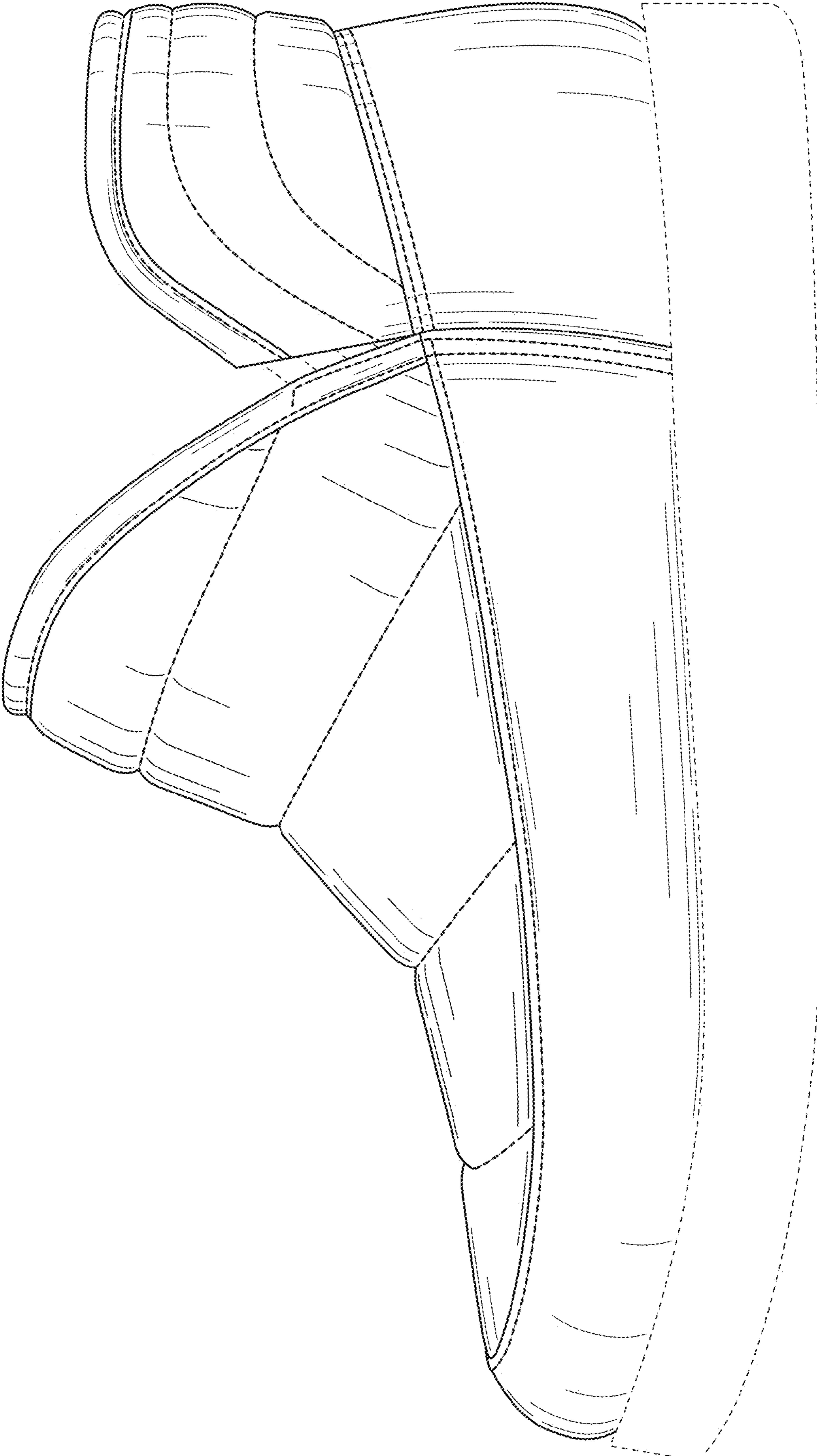


FIG. 22

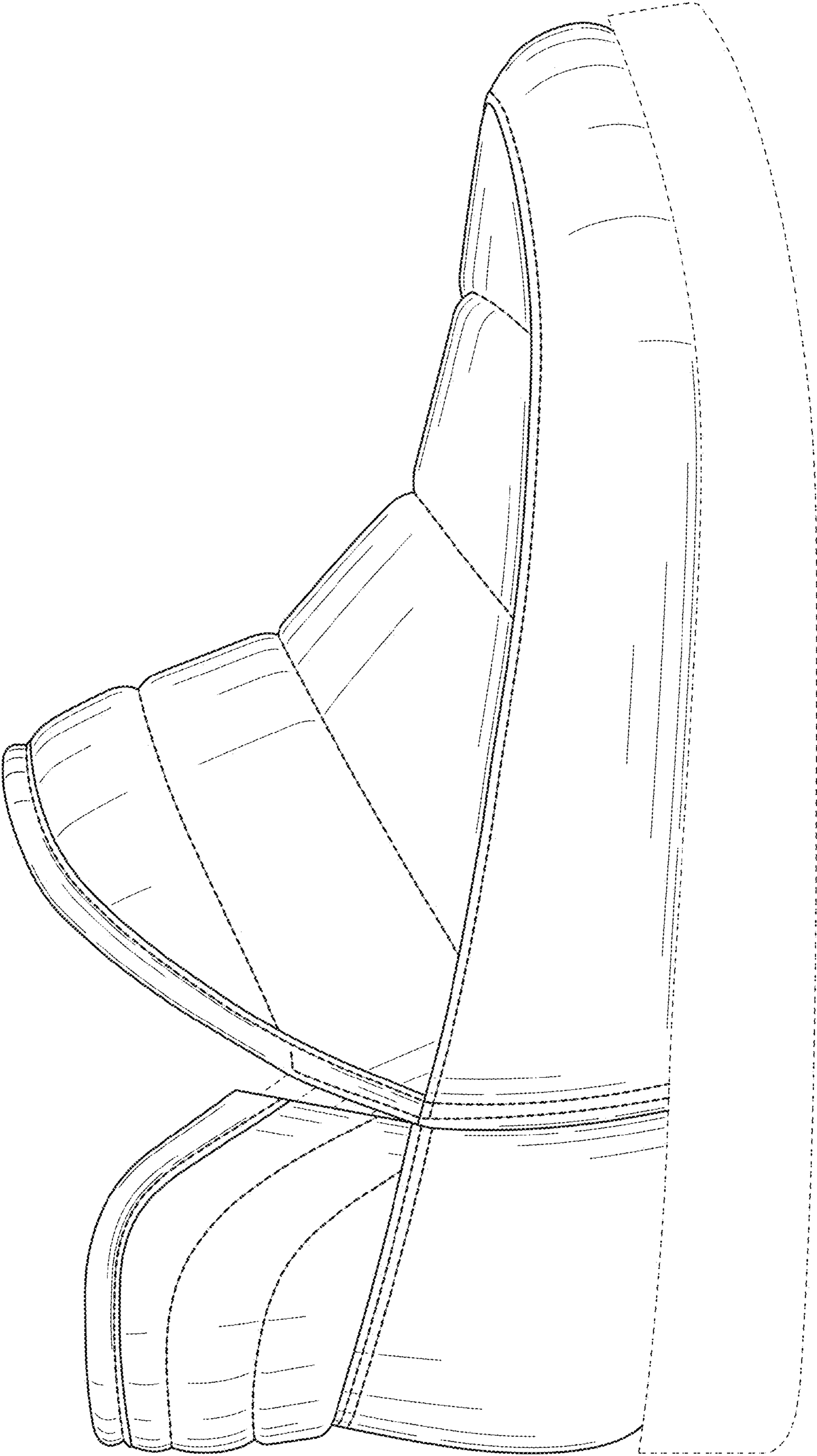


FIG. 23

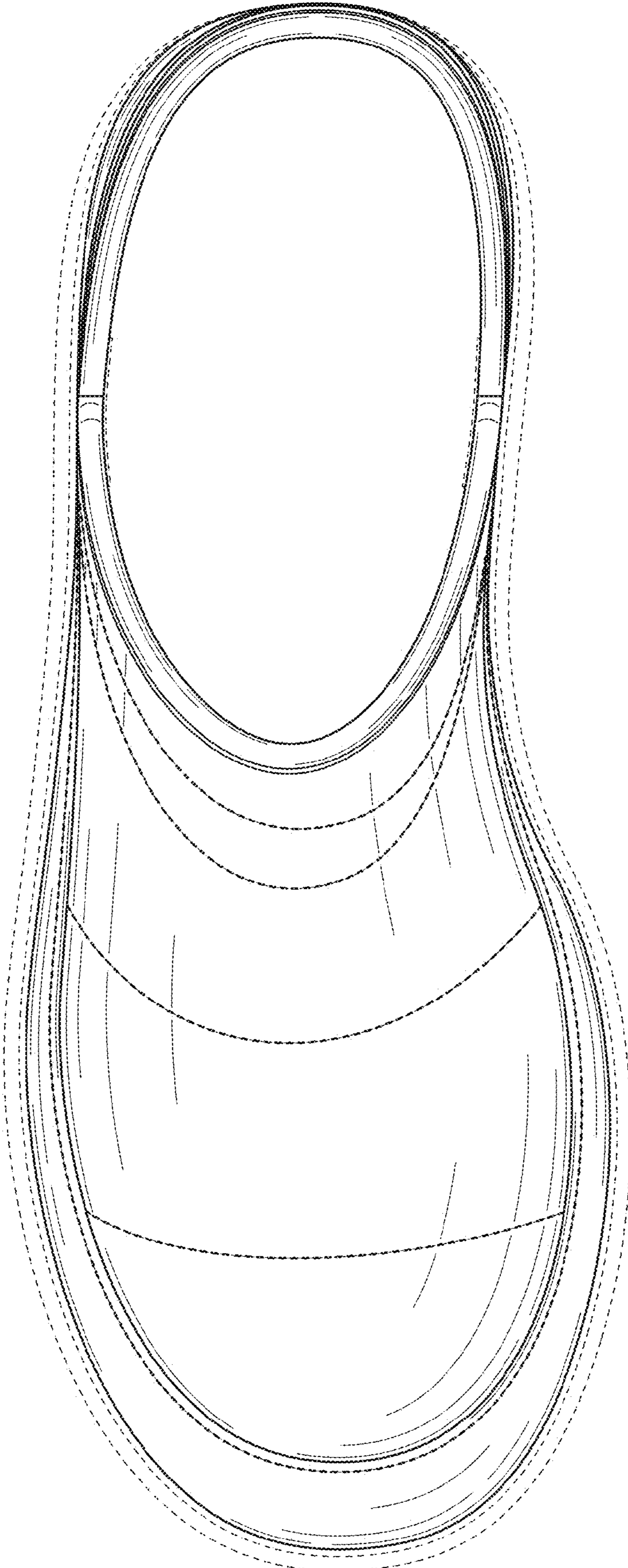


FIG. 24