



US00D950905S

(12) **United States Design Patent**  
**Dunham**

(10) **Patent No.:** **US D950,905 S**

(45) **Date of Patent:** **\*\* May 10, 2022**

(54) **FOOTWEAR**

(71) Applicant: **Target Brands, Inc.**, Minneapolis, MN  
(US)

(72) Inventor: **Austyn Dunham**, Minneapolis, MN  
(US)

(73) Assignee: **Target Brands, Inc.**, Minneapolis, MN  
(US)

(\*\*) Term: **15 Years**

(21) Appl. No.: **29/754,378**

(22) Filed: **Oct. 9, 2020**

(51) **LOC (13) Cl.** ..... **02-04**

(52) **U.S. Cl.**  
USPC ..... **D2/947**; D2/951; D2/957; D2/960

(58) **Field of Classification Search**  
USPC ..... D2/902, 946–962, 896, 900, 904,  
D2/906–908, 916–924, 925–945,  
D2/969–979; 36/1, 1.5, 3 B, 22 R, 24.5,  
36/25 R, 28, 32 R, 34 R, 59 C, 67 A,  
36/101–107, 114–116, 117.3, 117.4,  
36/124–136, 3 A, 83, 45, 99, 112–116

CPC ..... A43B 13/00; A43B 13/02; A43B 13/023;  
A43B 13/026; A43B 13/04; A43B 13/08;  
A43B 13/10; A43B 13/12; A43B 13/14;  
A43B 13/141; A43B 13/143; A43B  
13/16; A43B 13/18; A43B 13/181; A43B  
13/187; A43B 13/189; A43B 13/20; A43B  
13/22; A43B 13/223; A43B 13/24; A43B  
13/28; A43B 13/30; A43B 13/32; A43B  
13/34; A43B 13/36; A43B 1/00; A43B  
1/02; A43B 1/04; A43B 3/00; A43B 3/02;  
A43B 3/06; A43B 3/10; A43B 3/12;  
A43B 3/14; A43B 5/00; A43B 5/001;  
A43B 5/002; A43B 5/008; A43B 5/06;  
A43B 5/10; A43B 5/12; A43B 23/00;  
A43B 23/02; A43B 23/04;

(Continued)

(56) **References Cited**

U.S. PATENT DOCUMENTS

D261,446 S \* 10/1981 Schmohl ..... A43B 13/223  
D2/907

D324,131 S \* 2/1992 Lucas ..... D2/977  
(Continued)

OTHER PUBLICATIONS

Kid's Shay Lace-Up Winter Boots—All in Motion, Target.com,  
[online], [site visited Dec. 16, 2021]. <URL: <https://www.target.com/p/kids-shay-lace-up-winter-boots-all-in-motion/-/A-82431696?preselect=82181828#Ink=sametab>> (Year: 2021).\*

(Continued)

*Primary Examiner* — Jonathan J Han

(74) *Attorney, Agent, or Firm* — Merchant & Gould P.C.

(57) **CLAIM**

The ornamental design for a footwear, as shown and described.

**DESCRIPTION**

FIG. 1 is a front, top and right side perspective view of a footwear according to the new design;

FIG. 2 is a front elevation view of the footwear of FIG. 1;

FIG. 3 is a back elevation view of the footwear of FIG. 1;

FIG. 4 is a left side elevation view of the footwear of FIG. 1;

FIG. 5 is a right side elevation view of the footwear of FIG. 1;

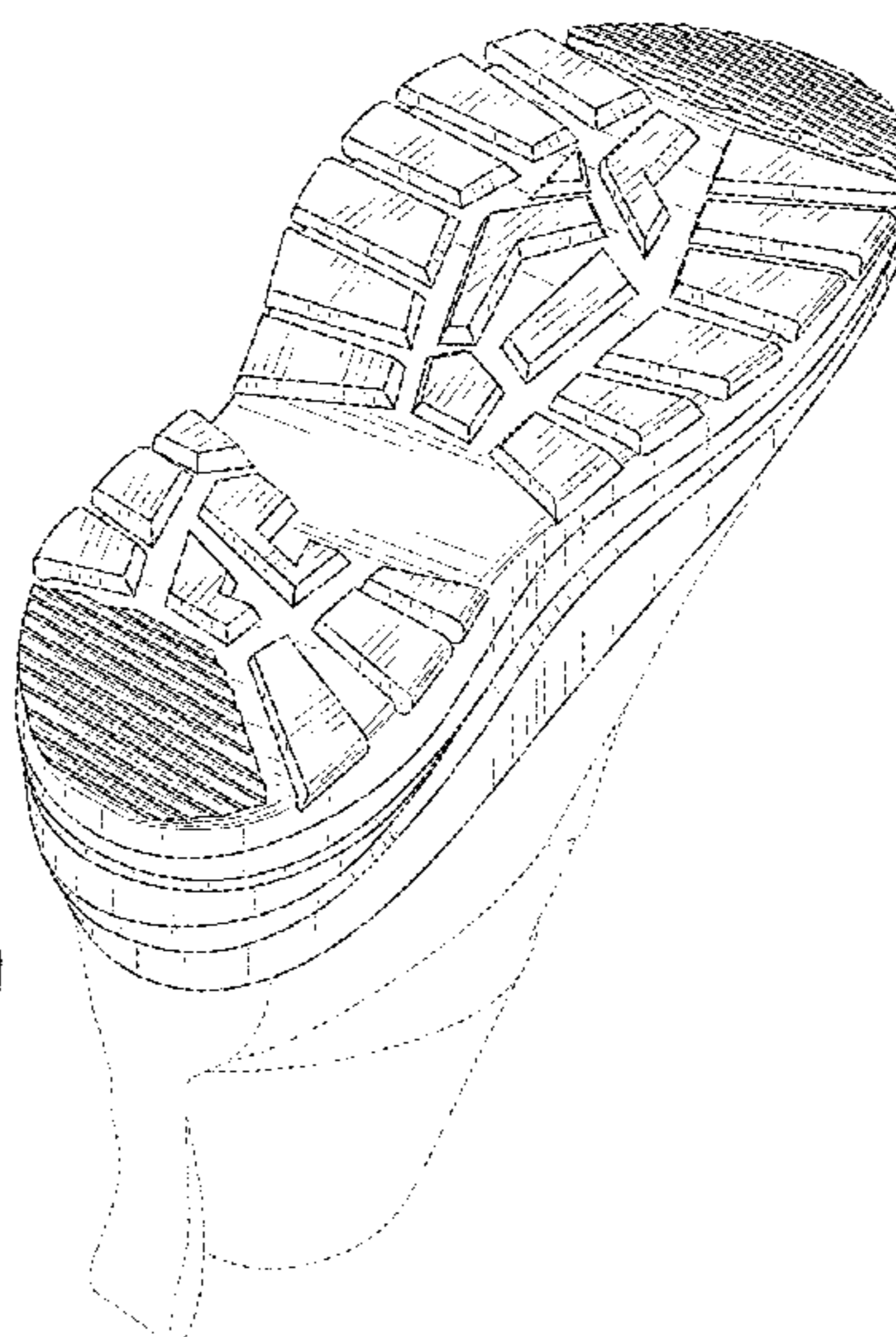
FIG. 6 is a top plan view of the footwear of FIG. 1;

FIG. 7 is a bottom plan view of the footwear of FIG. 1; and,

FIG. 8 is a back, bottom and left side perspective view of the footwear of FIG. 1

In the drawings, the portions of the footwear shown in broken lines form no part of the claimed design.

**1 Claim, 8 Drawing Sheets**



- (58) **Field of Classification Search**  
 CPC ..... A43B 23/14; A43B 23/16; A43B 23/17;  
 A43B 23/24; A43B 23/25; A43B 23/26;  
 A43C 1/00; A43C 5/00; A43C 7/00;  
 A43C 9/00; A43C 11/00  
 See application file for complete search history.

(56) **References Cited**

U.S. PATENT DOCUMENTS

D343,045 S \* 1/1994 Bailey ..... D2/977  
 D354,845 S \* 1/1995 Bramani ..... D2/957  
 D369,456 S \* 5/1996 Peterson ..... D2/910  
 D402,095 S \* 12/1998 Cretinon ..... D2/957  
 D404,899 S \* 2/1999 von Conta ..... D2/957  
 D410,966 S \* 6/1999 Cretinon ..... D2/960  
 D420,497 S \* 2/2000 Panella ..... D2/947  
 D436,432 S \* 1/2001 Gams ..... D2/947  
 D499,233 S 12/2004 Sedlbauer  
 D516,285 S 3/2006 Sedlbauer  
 D517,791 S 3/2006 Sedlbauer  
 D517,792 S 3/2006 Sedlbauer  
 D524,019 S 7/2006 Matis et al.  
 D539,024 S 3/2007 Belley et al.  
 D547,540 S 7/2007 Maderspach  
 D556,438 S 12/2007 Maderspach  
 D569,595 S \* 5/2008 Le ..... D2/957  
 D574,584 S \* 8/2008 Earle ..... D2/951  
 D575,951 S 9/2008 St-Louis  
 D580,637 S \* 11/2008 Winjum ..... D2/951  
 D582,651 S 12/2008 Andersen et al.  
 D599,539 S 9/2009 St-Louis  
 D601,334 S \* 10/2009 Werman ..... D2/951  
 D606,289 S \* 12/2009 Hubner ..... D2/910  
 D608,537 S \* 1/2010 Anderson ..... D2/960  
 D631,645 S \* 2/2011 Glennie ..... D2/910  
 D632,882 S 2/2011 O'Rorke  
 D635,346 S \* 4/2011 Lonigan ..... D2/970  
 D636,984 S \* 5/2011 Lonigan ..... D2/970  
 D639,034 S \* 6/2011 Castellon ..... D2/912  
 D648,929 S 11/2011 Van Zyll De Jong et al.  
 D660,570 S 5/2012 Joseph  
 D662,304 S 6/2012 Spring  
 D664,345 S 7/2012 Joseph  
 D677,871 S 3/2013 Portzline  
 D677,872 S \* 3/2013 Spring ..... D2/970  
 D677,873 S 3/2013 Portzline

D678,666 S 3/2013 Portzline  
 D696,844 S \* 1/2014 Curtis ..... A43B 3/248  
 D2/944  
 D699,932 S 2/2014 Lubart  
 D701,024 S 3/2014 Youngs et al.  
 D701,372 S 3/2014 Portzline  
 D701,377 S 3/2014 Spring  
 D701,379 S \* 3/2014 Neely ..... D2/912  
 D701,683 S 4/2014 Neely  
 D732,804 S \* 6/2015 Fongher ..... D2/907  
 D732,805 S \* 6/2015 Bruder ..... D2/911  
 D738,073 S \* 9/2015 Chenciner ..... D2/903  
 D740,534 S 10/2015 Spring  
 D754,425 S 4/2016 Deas  
 D778,568 S \* 2/2017 Kinley ..... D2/964  
 D779,185 S \* 2/2017 Abe ..... D2/970  
 D781,030 S \* 3/2017 Foust ..... D2/910  
 D782,166 S \* 3/2017 Feller ..... D2/911  
 D795,541 S 8/2017 Henrichot et al.  
 D839,578 S \* 2/2019 Foust ..... D2/970  
 D839,580 S \* 2/2019 Dowd ..... D2/970  
 D841,302 S \* 2/2019 Mondelli ..... D2/970  
 D844,959 S \* 4/2019 Evans ..... D2/957  
 D853,692 S \* 7/2019 Smith ..... D2/911  
 D862,056 S \* 10/2019 Wang ..... D2/947  
 D866,146 S \* 11/2019 Cass ..... D2/957  
 D866,934 S 11/2019 Zeng  
 D866,935 S \* 11/2019 Dao ..... D2/912  
 D874,808 S 2/2020 Prochmann  
 D894,564 S \* 9/2020 Lopez ..... D2/957  
 D901,848 S \* 11/2020 Mazgaj ..... D2/912  
 D903,249 S \* 12/2020 Wu ..... D2/911  
 D915,053 S \* 4/2021 Foust ..... D2/970  
 D922,739 S \* 6/2021 Foust ..... D2/910  
 D931,592 S \* 9/2021 Stefan ..... D2/970

OTHER PUBLICATIONS

Men's Bean Boots, 8", LLbean.com, [online], [site visited Dec. 16, 2021]. <URL: <https://www.llbean.com/llb/shop/31179?page=mens-llbean-boots-8in&bc=506697&feat=506697-GN0&csp=a&pos=1>> (Year: 2021).\*

Women's Cecily Waterproof Winter Boots—All in Motion, Target.com, [online], [site visited Dec. 16, 2021]. <URL: <https://www.target.com/p/women-s-cecily-waterproof-winter-boots-all-in-motion/-/A-82390215?preselect=82258040#Ink=sametab>> (Year: 2021).\*

\* cited by examiner



FIG. 1

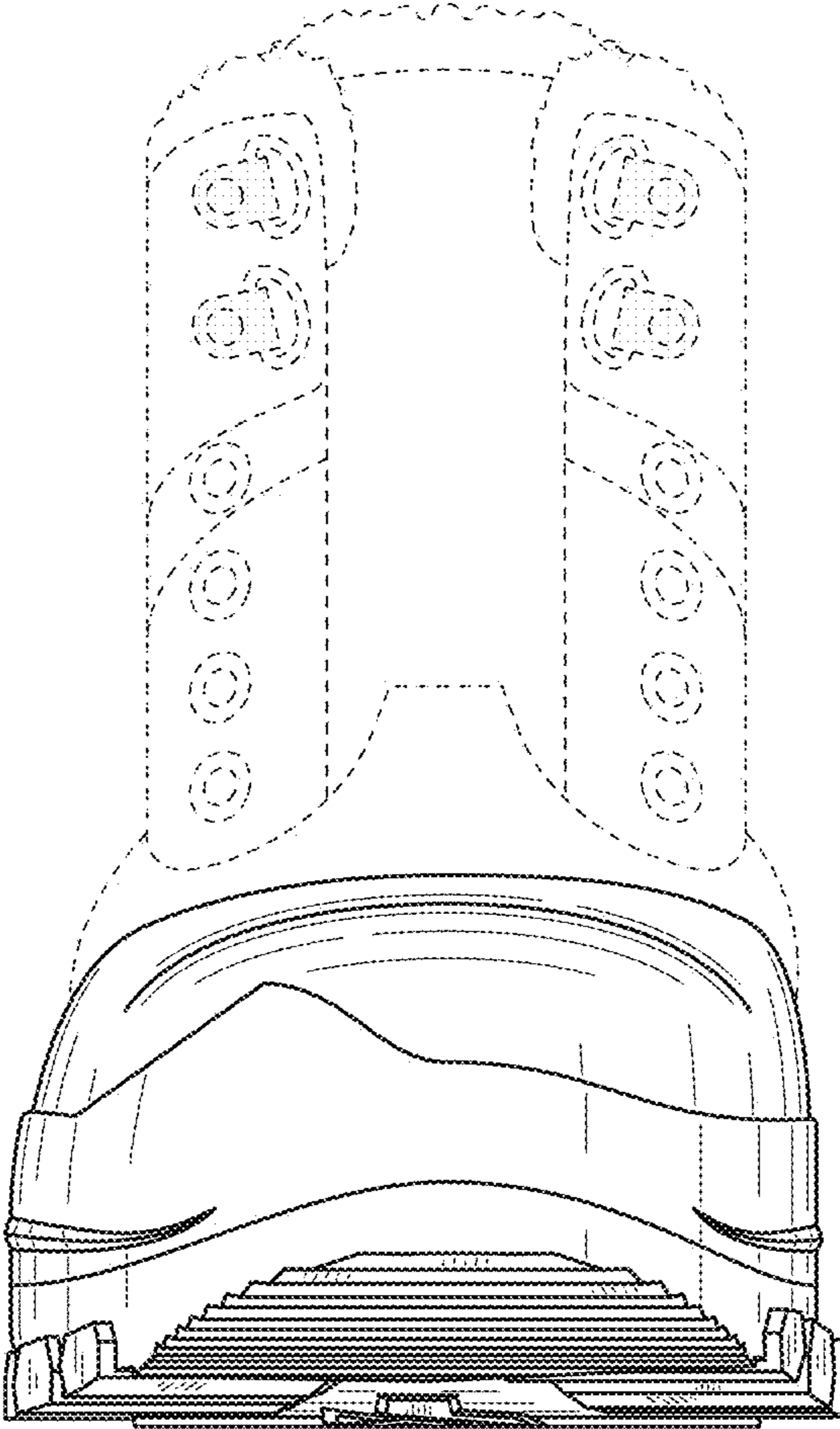


FIG. 2

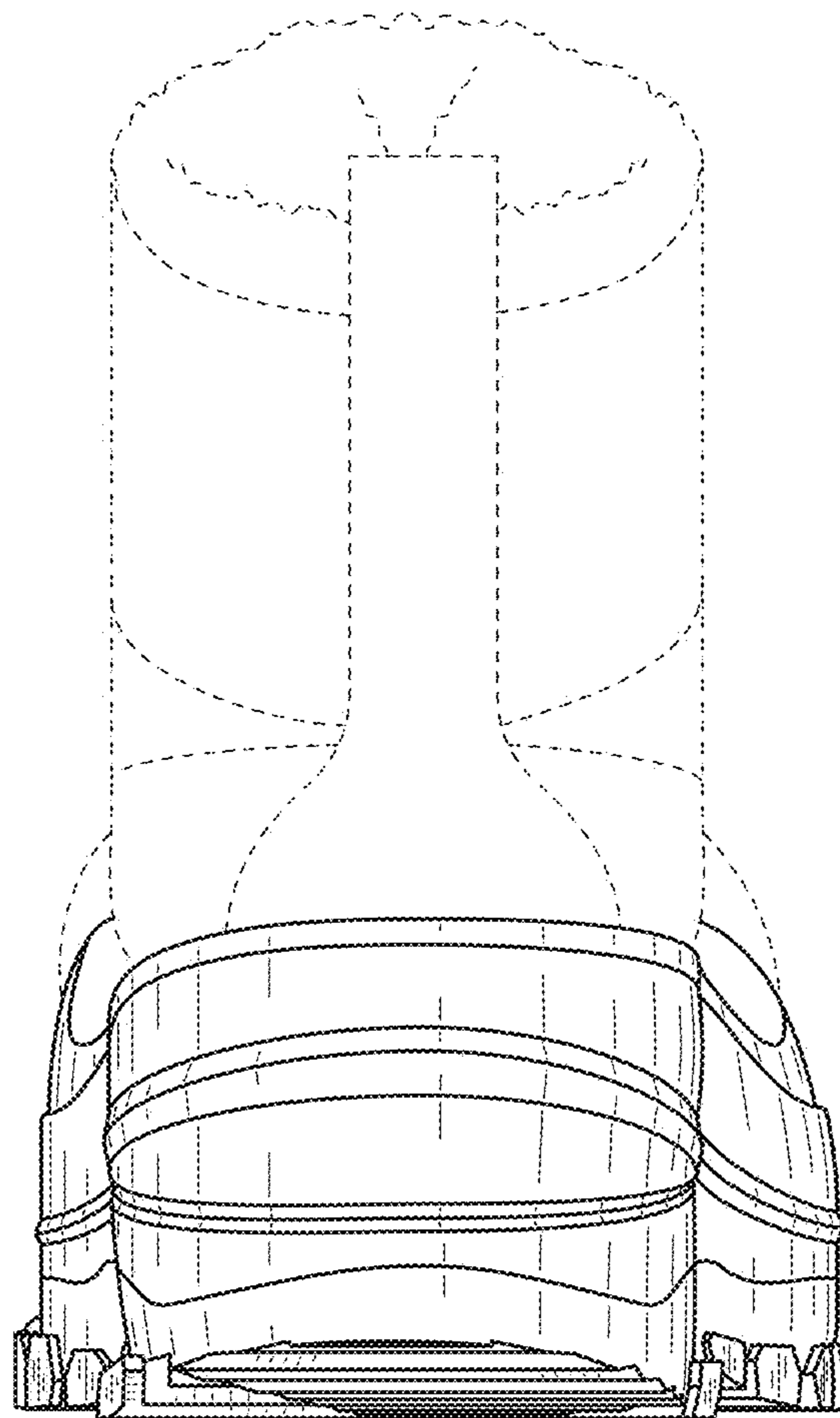


FIG. 3

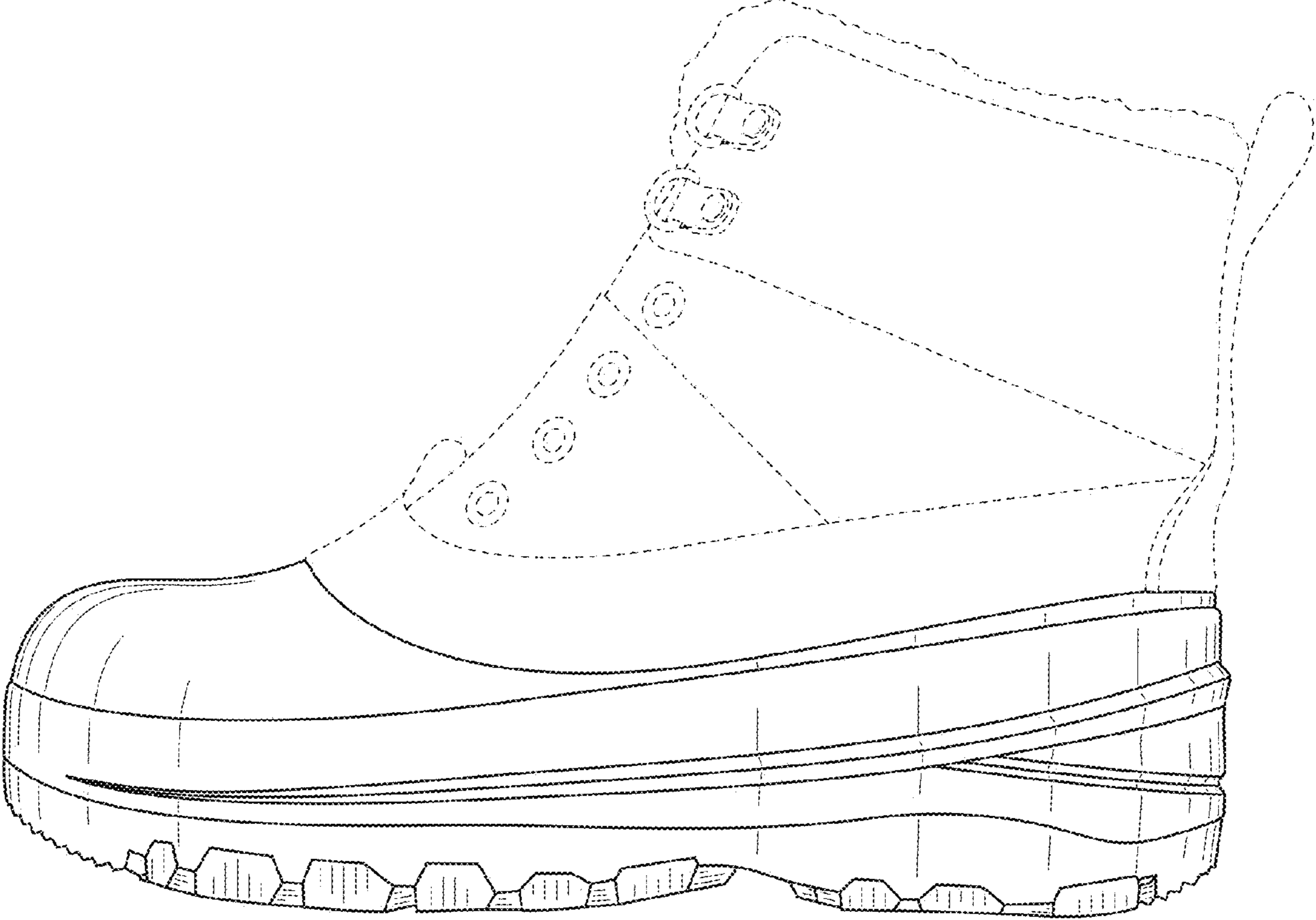


FIG. 4

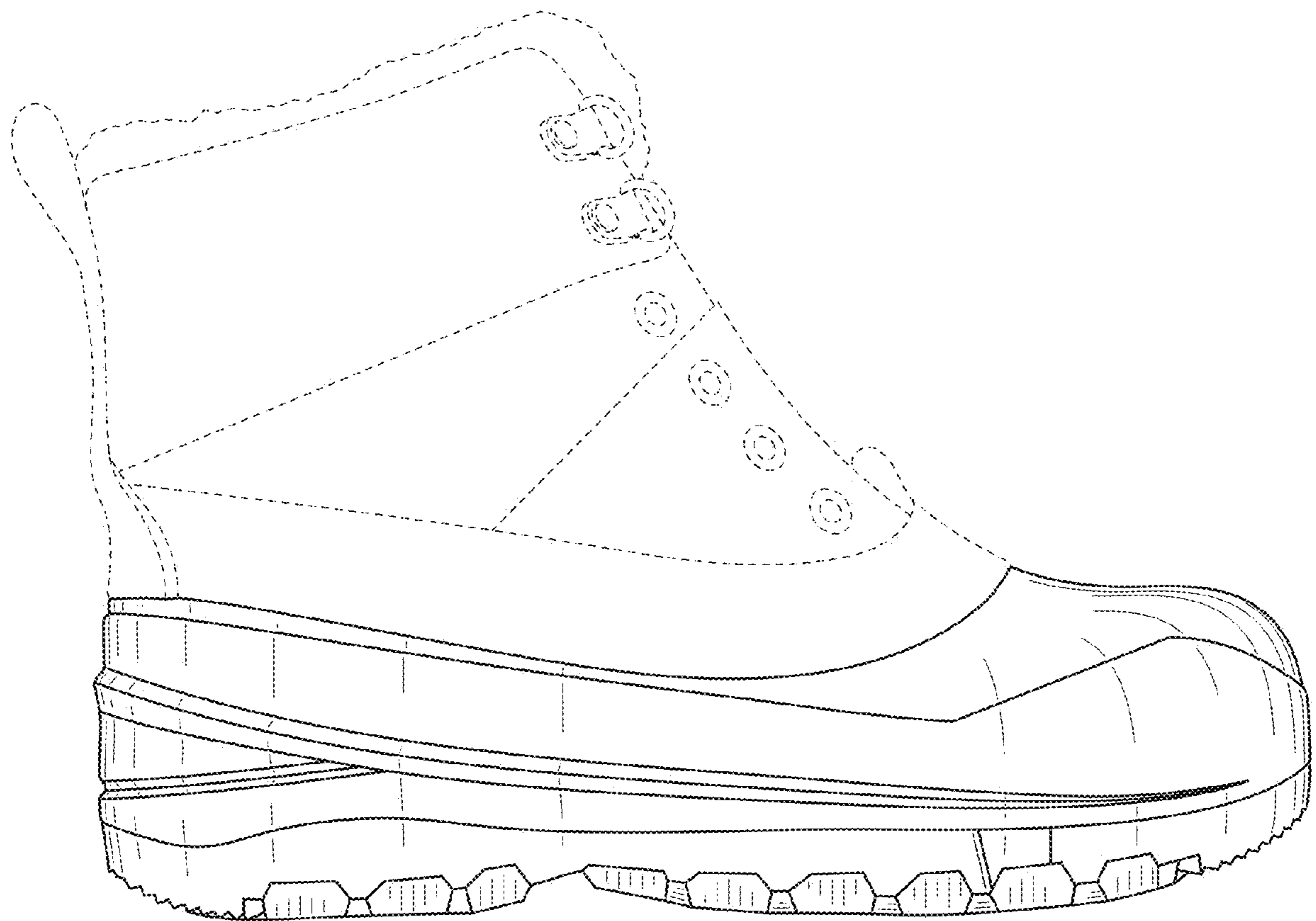


FIG. 5

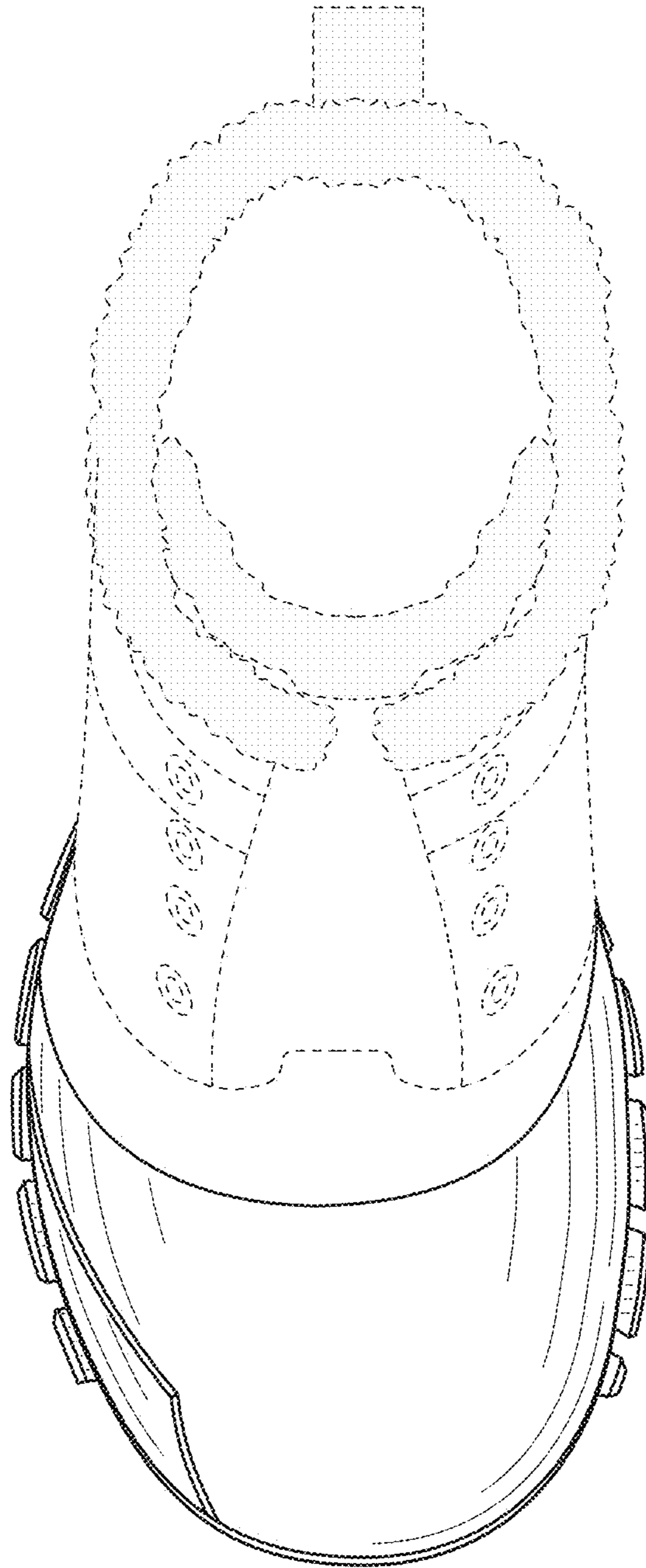


FIG. 6



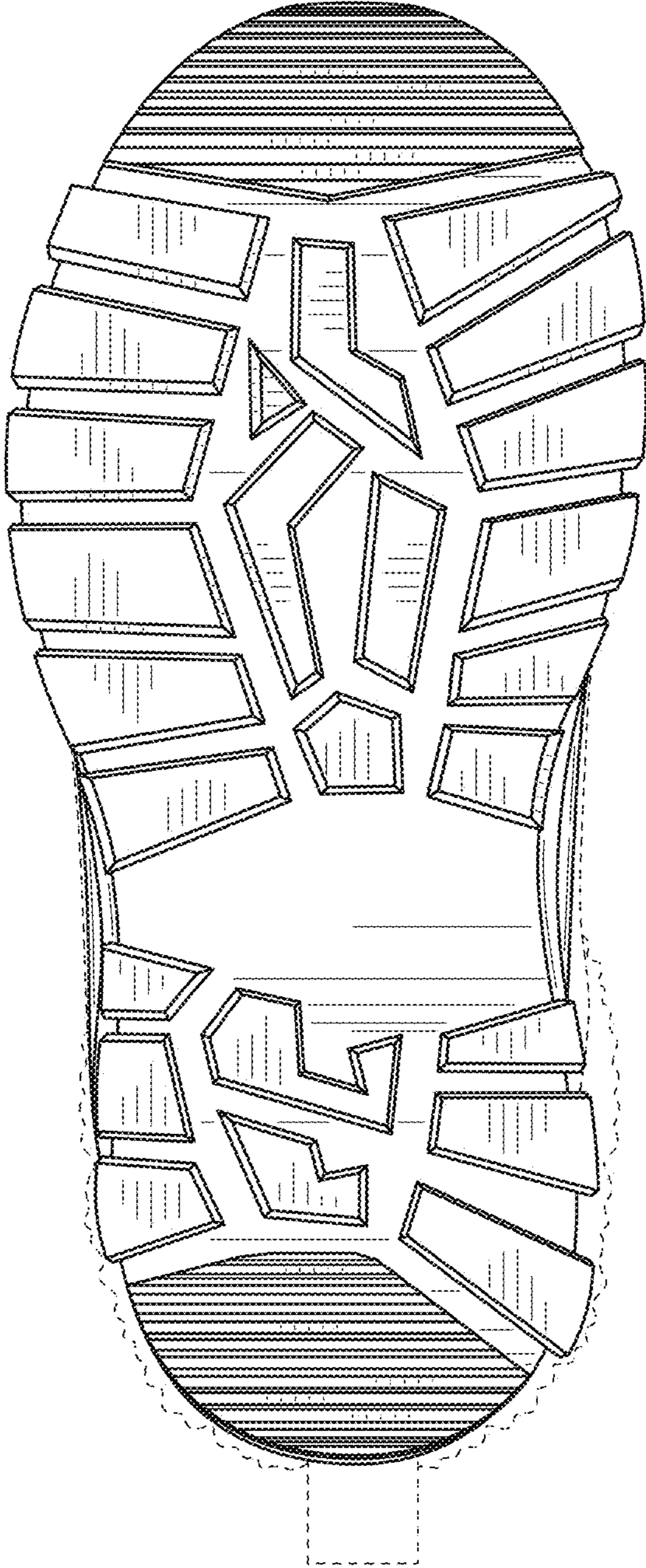


FIG. 7

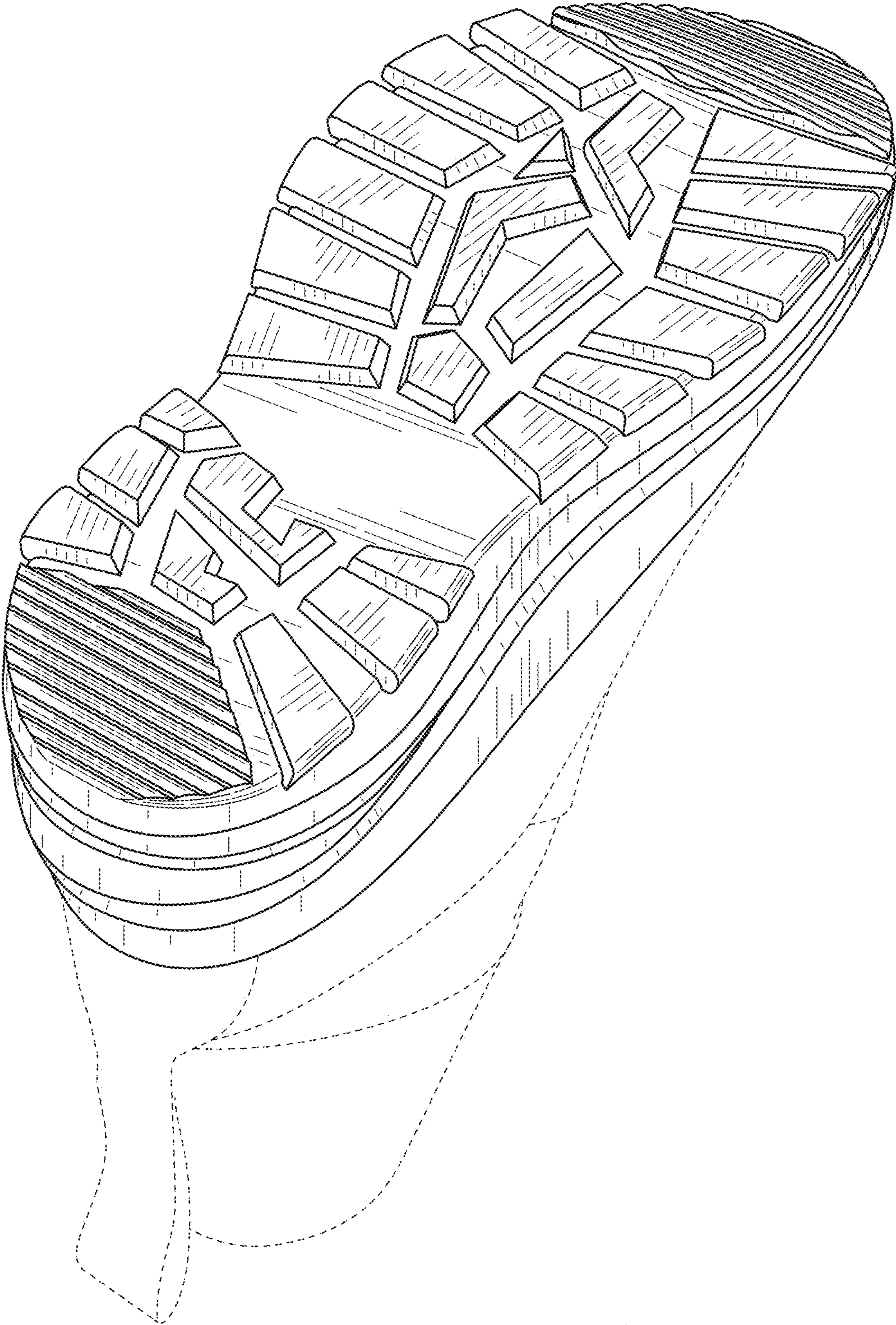


FIG. 8