



US00D950904S

(12) **United States Design Patent** (10) **Patent No.:** **US D950,904 S**  
**Kroshinskaya** (45) **Date of Patent:** **\*\* May 10, 2022**

(54) **FOOTWEAR**

(71) Applicant: **Target Brands, Inc.**, Minneapolis, MN (US)  
(72) Inventor: **Masha Kroshinskaya**, Minneapolis, MN (US)  
(73) Assignee: **Target Brands, Inc.**, Minneapolis, MN (US)

(\*\*) Term: **15 Years**

(21) Appl. No.: **29/747,828**

(22) Filed: **Aug. 25, 2020**

(51) **LOC (13) Cl.** ..... **02-04**

(52) **U.S. Cl.**  
USPC ..... **D2/947; D2/960**

(58) **Field of Classification Search**  
USPC ..... D2/902, 906, 908, 916, 918, 925, D2/946-962, 977; 36/1, 1.5, 3 B, 22 R, 36/24.5, 25 R, 28, 32 R, 34 R, 59 C, 36/67 A, 101-107, 114-116, 117.3, 117.4, 36/124-136  
CPC ..... A43B 13/00; A43B 13/02; A43B 13/023; A43B 13/026; A43B 13/04; A43B 13/08; A43B 13/10; A43B 13/12; A43B 13/14; A43B 13/141; A43B 13/143; A43B 13/16; A43B 13/18; A43B 13/181; A43B 13/187; A43B 13/189; A43B 13/20; A43B 13/22; A43B 13/223; A43B 13/24; A43B 13/28; A43B 13/30; A43B 13/32; A43B 13/34; A43B 13/36

See application file for complete search history.

(56) **References Cited**

**U.S. PATENT DOCUMENTS**

D250,943 S \* 1/1979 Bergamaschi ..... D2/954  
4,200,997 A 5/1980 Scheinhaus et al.

(Continued)

**FOREIGN PATENT DOCUMENTS**

CA 2514808 C 2/2007  
CN 205492741 8/2016

(Continued)

**OTHER PUBLICATIONS**

Brielle Platform Sandal, VionicShoes.com, [online], [site visited Sep. 23, 2021]. <URL: <https://www.vionicshoes.com/brielle-platform-sandal.html?76=1029>> (Year: 2021).\*

(Continued)

*Primary Examiner* — Jonathan J Han

(74) *Attorney, Agent, or Firm* — Merchant & Gould P.C.

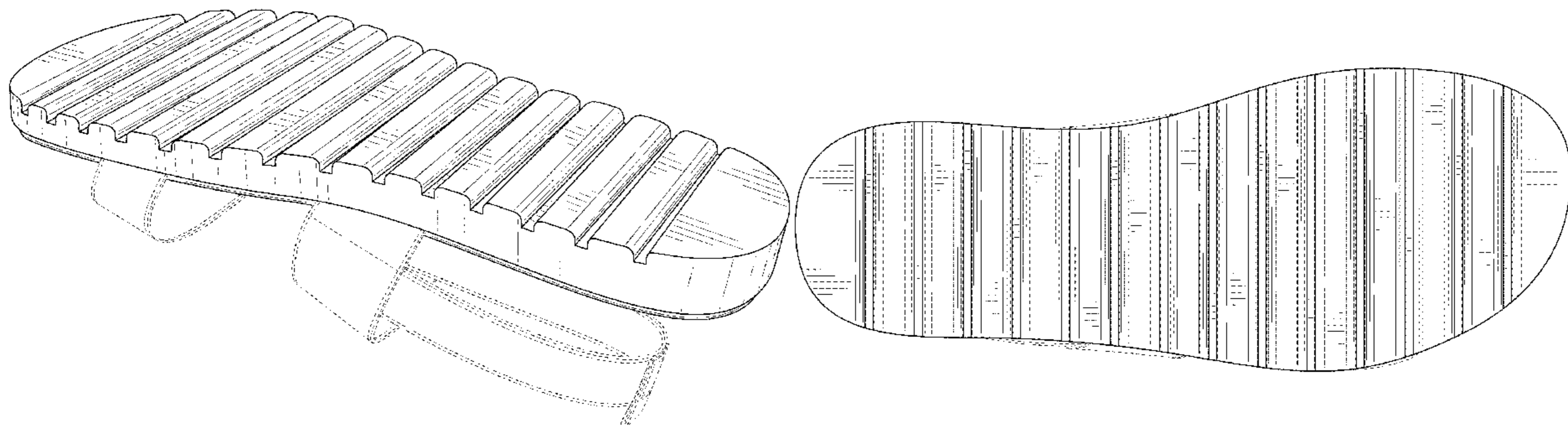
(57) **CLAIM**

The ornamental design for a footwear, as shown and described.

**DESCRIPTION**

FIG. 1 is a front, top and right side perspective view of an embodiment of a footwear according to the new design; FIG. 2 is a back, bottom and right side perspective view of the embodiment of FIG. 1; FIG. 3 is a front elevation view of the embodiment of FIG. 1; FIG. 4 is a back elevation view of the embodiment of FIG. 1; FIG. 5 is a right side elevation view of the embodiment of FIG. 1; FIG. 6 is a left side elevation view of the embodiment of FIG. 1; FIG. 7 is a top plan view of the embodiment of FIG. 1; and, FIG. 8 is a bottom plan view of the embodiment of FIG. 1. The broken lines in the drawings show portions that form no part of the claimed design.

**1 Claim, 7 Drawing Sheets**



(56)

References Cited

U.S. PATENT DOCUMENTS

4,275,512 A 6/1981 Zeligman et al.  
 4,300,294 A 11/1981 Riecken  
 4,446,633 A 5/1984 Scheinhaus et al.  
 D294,537 S \* 3/1988 Le ..... D2/960  
 4,793,075 A 12/1988 Thatcher  
 4,817,302 A 4/1989 Saltsman  
 4,869,000 A 9/1989 York, Jr.  
 4,967,750 A 11/1990 Cherniak  
 5,056,241 A 10/1991 Young  
 5,205,054 A 4/1993 York, Jr.  
 5,423,134 A 6/1995 Bagnaia et al.  
 5,465,506 A 11/1995 Matis et al.  
 5,533,278 A 7/1996 Stein  
 5,561,919 A 10/1996 Gill  
 RE35,452 E 2/1997 Sargeant  
 5,687,492 A 11/1997 Muraoka  
 5,836,090 A 11/1998 Smith  
 D409,361 S \* 5/1999 Greenberg ..... D2/960  
 5,901,394 A 5/1999 Greenawalt  
 6,021,585 A 2/2000 Cole  
 6,052,920 A 4/2000 Bathum  
 D429,553 S \* 8/2000 Kelchak ..... D2/953  
 6,237,250 B1 5/2001 Aguerre  
 D449,430 S \* 10/2001 McClaskie ..... D2/951  
 D473,041 S \* 4/2003 Finkelberg ..... D2/957  
 6,543,157 B2 4/2003 Pan  
 6,606,803 B1 8/2003 Ritter et al.  
 6,637,130 B2 10/2003 Urie et al.  
 6,694,641 B1 2/2004 Gill  
 D490,225 S \* 5/2004 McClaskie ..... D2/960  
 6,772,541 B1 8/2004 Ritter et al.  
 D505,537 S \* 5/2005 Friedman ..... D2/961  
 7,103,993 B2 9/2006 Sakai  
 D566,499 S \* 4/2008 Welch ..... D8/38  
 D573,780 S \* 7/2008 Davis ..... D2/951  
 7,794,417 B1 9/2010 Zimmerman  
 7,823,299 B1 11/2010 Brigham  
 8,460,593 B2 6/2013 Fogg et al.  
 D701,380 S \* 3/2014 Reed ..... D2/960  
 8,839,529 B1 9/2014 Levy  
 D730,035 S \* 5/2015 Henderson ..... D2/960  
 9,468,252 B2 10/2016 Dematteo  
 9,955,755 B2 5/2018 Heid  
 D822,966 S \* 7/2018 Thompson ..... D2/953  
 D827,257 S \* 9/2018 Ringholz ..... D2/916  
 D840,653 S \* 2/2019 Carmi ..... D2/961

10,278,454 B2 5/2019 Kohatsu et al.  
 D862,061 S \* 10/2019 Wilkinson ..... D2/960  
 D889,092 S \* 7/2020 Verfl ..... D2/954  
 D889,093 S \* 7/2020 Verfl ..... D2/954  
 D920,646 S \* 6/2021 Simone ..... D2/953  
 D924,548 S \* 7/2021 Xin ..... D2/960  
 D925,879 S \* 7/2021 Mokos ..... D2/960  
 D929,098 S \* 8/2021 Jacobsen ..... D2/960  
 2006/0059712 A1 5/2006 Asham  
 2006/0288610 A1 12/2006 Laska et al.  
 2009/0313854 A1 12/2009 Clarke  
 2010/0242305 A1 9/2010 Liu  
 2012/0124860 A1 5/2012 Waddel  
 2017/0143071 A1 5/2017 Huang et al.  
 2017/0360142 A1 12/2017 Griffin  
 2019/0350304 A1 11/2019 Velazquez et al.

FOREIGN PATENT DOCUMENTS

CN 109645617 A 4/2019  
 CN 209403674 U 9/2019  
 FR 3057741 B3 4/2018  
 GB 2046077 11/1980  
 GB 2377615 B 1/2003  
 GB 2550880 A 12/2017  
 JP 3217949 9/2018  
 KR 100719159 B1 5/2007  
 KR 20100038481 A 4/2010  
 KR 20160147227 12/2016  
 WO WO 2012/031801 3/2012

OTHER PUBLICATIONS

Glyn Linen Sandal, Vince.com, [online], [site visited Sep. 23, 2021]. <URL: [https://www.vince.com/glyn-linen-sandal-H5995F1.html?dwvar\\_H5995F1\\_color=NATURL&utm\\_medium=Linkshare&utm\\_source=Vogue&utm\\_campaign=1&utm\\_content=10&ranMID=39798&ranEAID=0c5b5rpoqTU&ranSiteID=0c5b5rpoqTU-oUww5xEZwUlw4\\_v8\\_Zlosw](https://www.vince.com/glyn-linen-sandal-H5995F1.html?dwvar_H5995F1_color=NATURL&utm_medium=Linkshare&utm_source=Vogue&utm_campaign=1&utm_content=10&ranMID=39798&ranEAID=0c5b5rpoqTU&ranSiteID=0c5b5rpoqTU-oUww5xEZwUlw4_v8_Zlosw)> (Year: 2021).\*

Skechers Arch Fit—Casual Retro, Skechers.com, [online], [site visited Sep. 23, 2021]. <URL: <https://www.skechers.com/women/shoes/skechers-arch-fit---casual-retro/119237.html>> (Year: 2021).\*

EVA Sole for slipper or boot, UGG, MorEVAfoam.com, [online], [site visited Sep. 23, 2021]. <URL: <https://www.morevafoam.com/Products/eva-sole-for-slipper-or-boot-ugg>> (Year: 2021).\*

\* cited by examiner

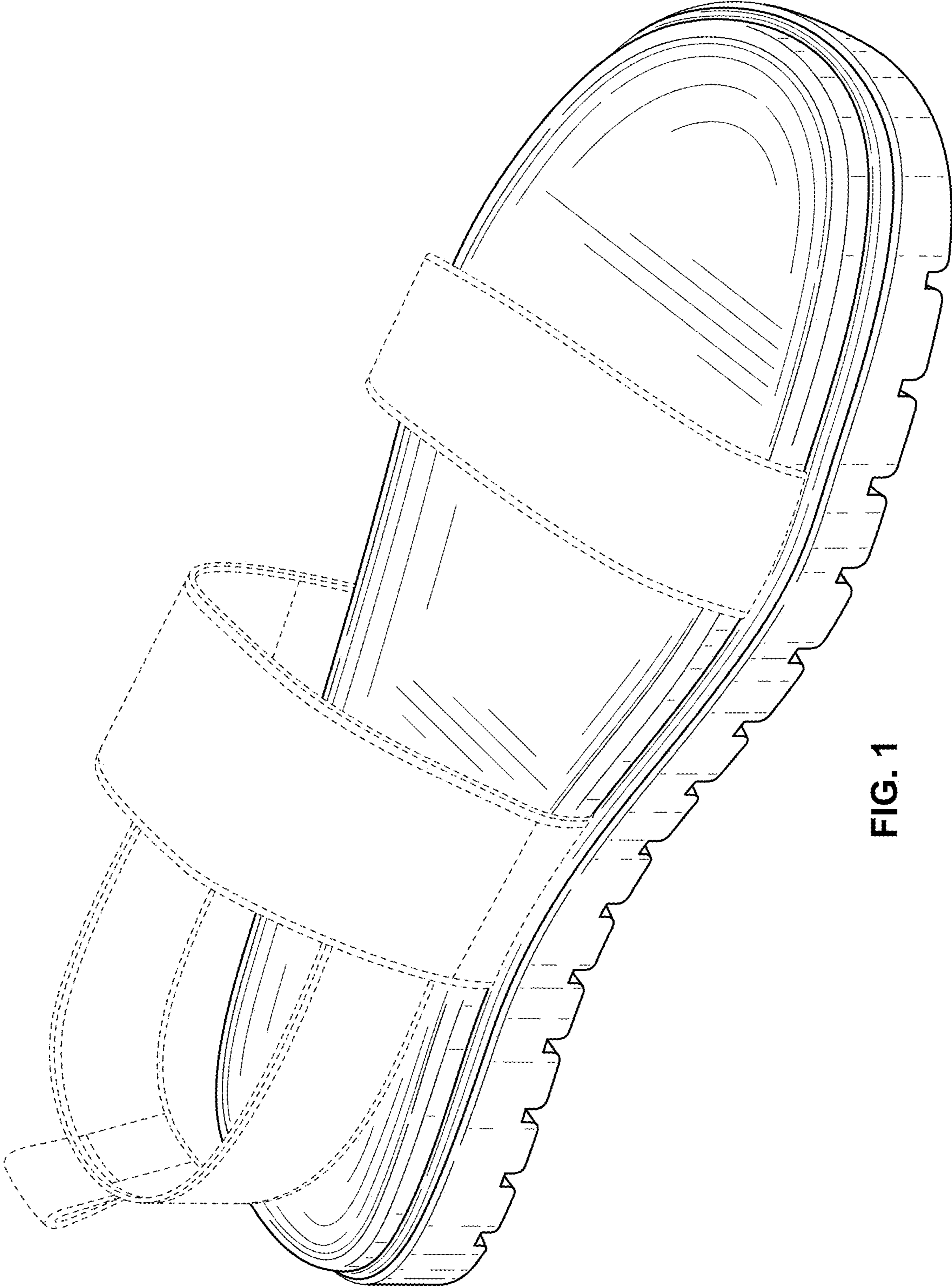


FIG. 1

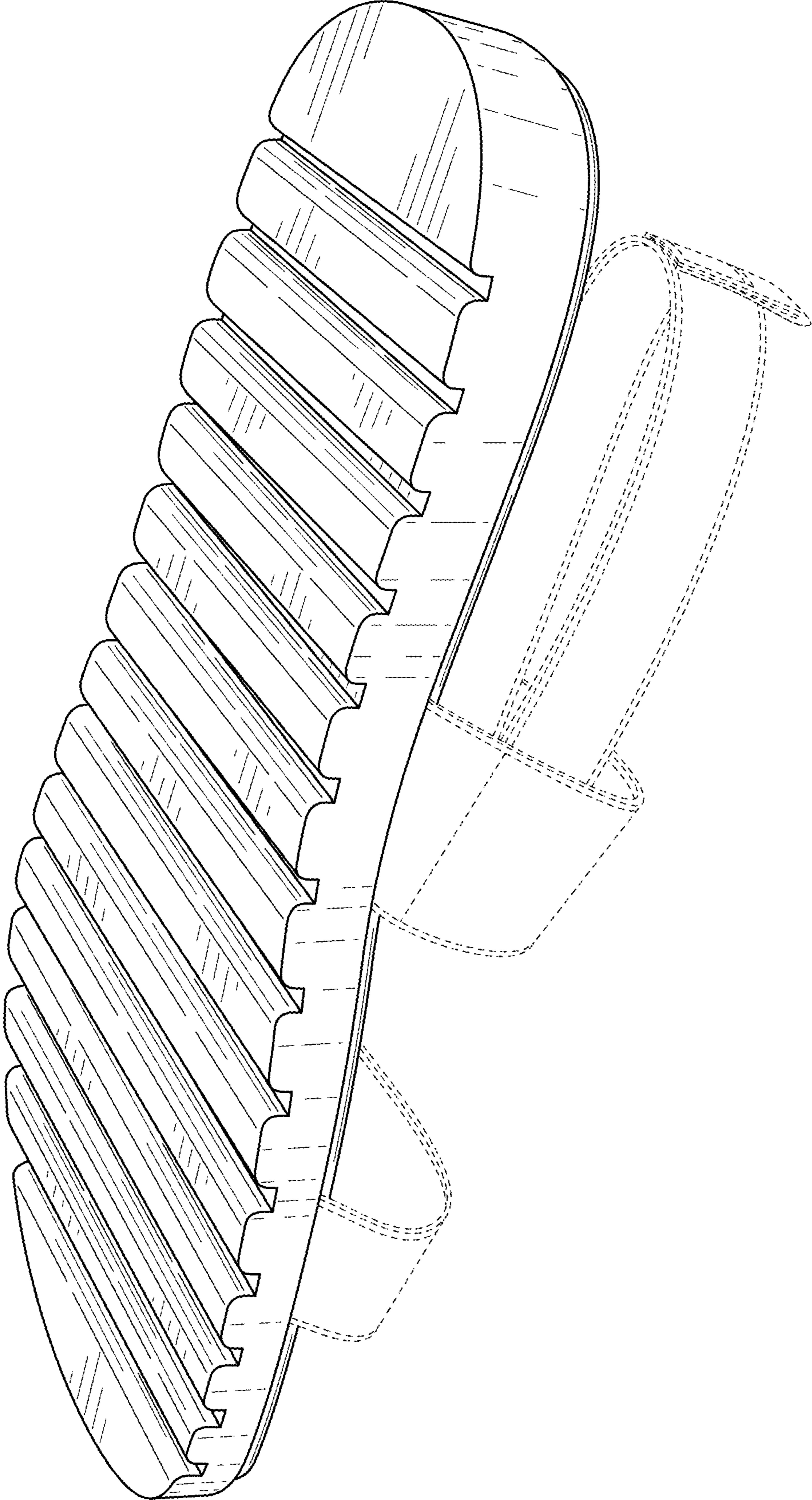


FIG. 2

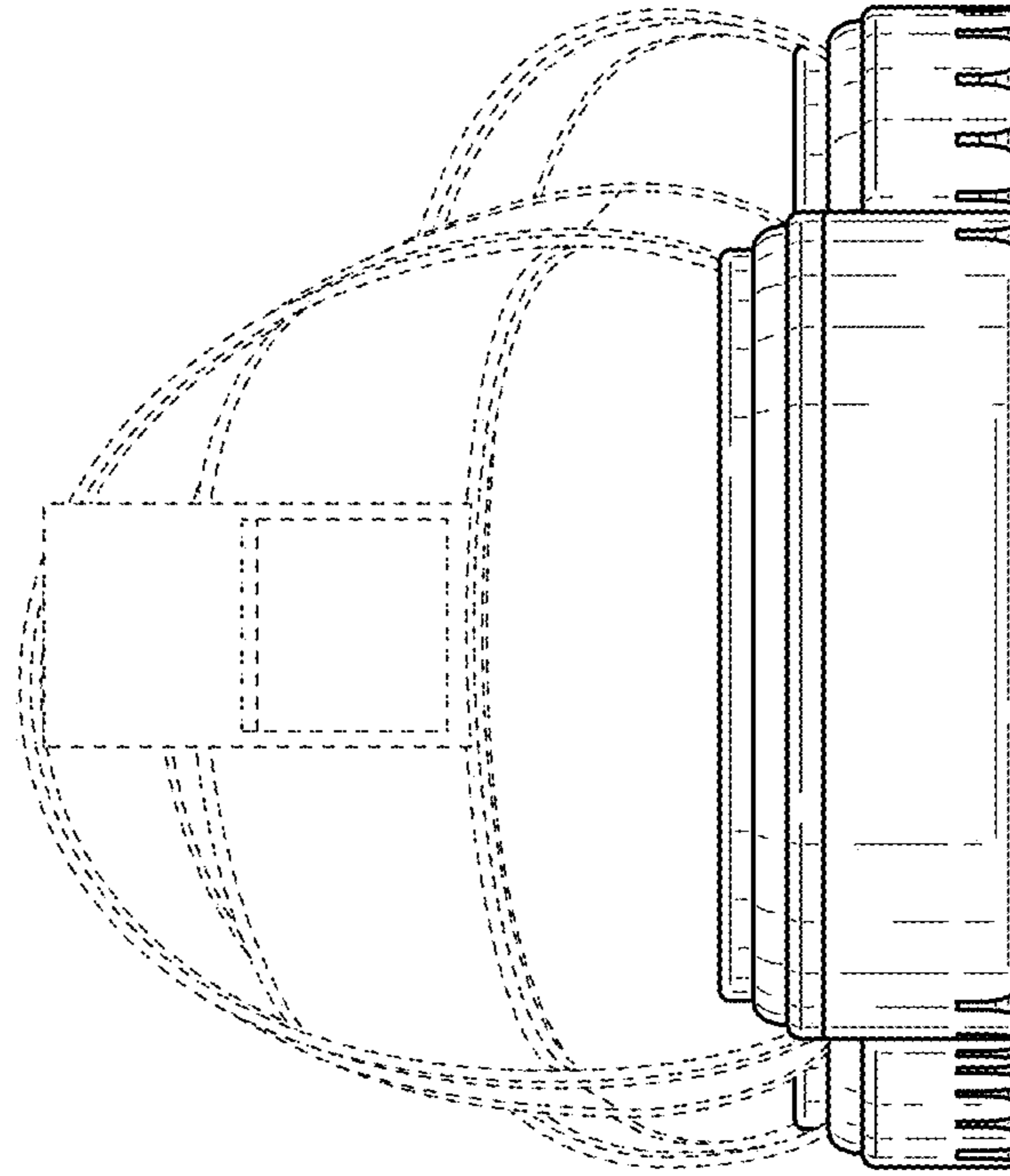


FIG. 4

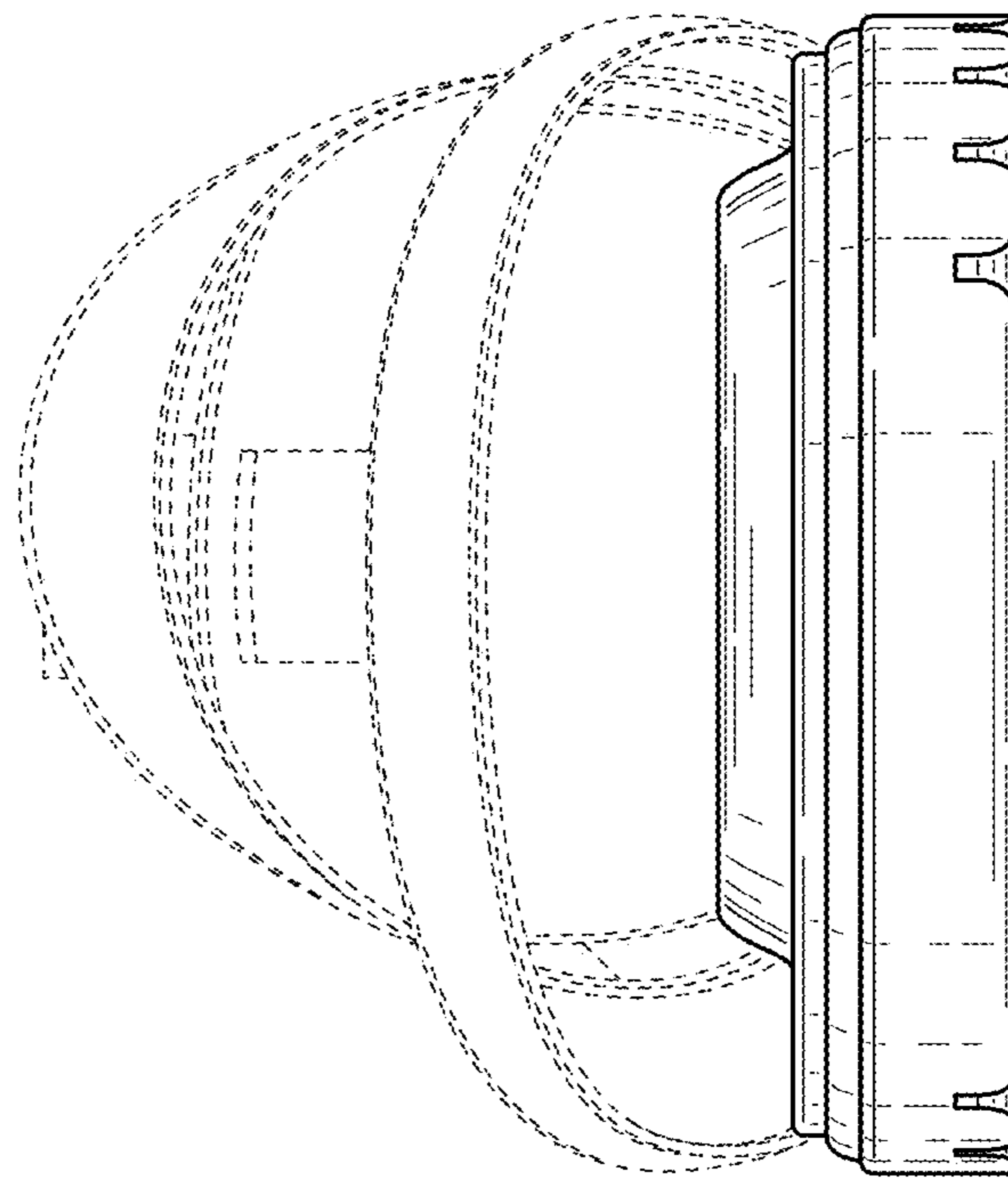


FIG. 3

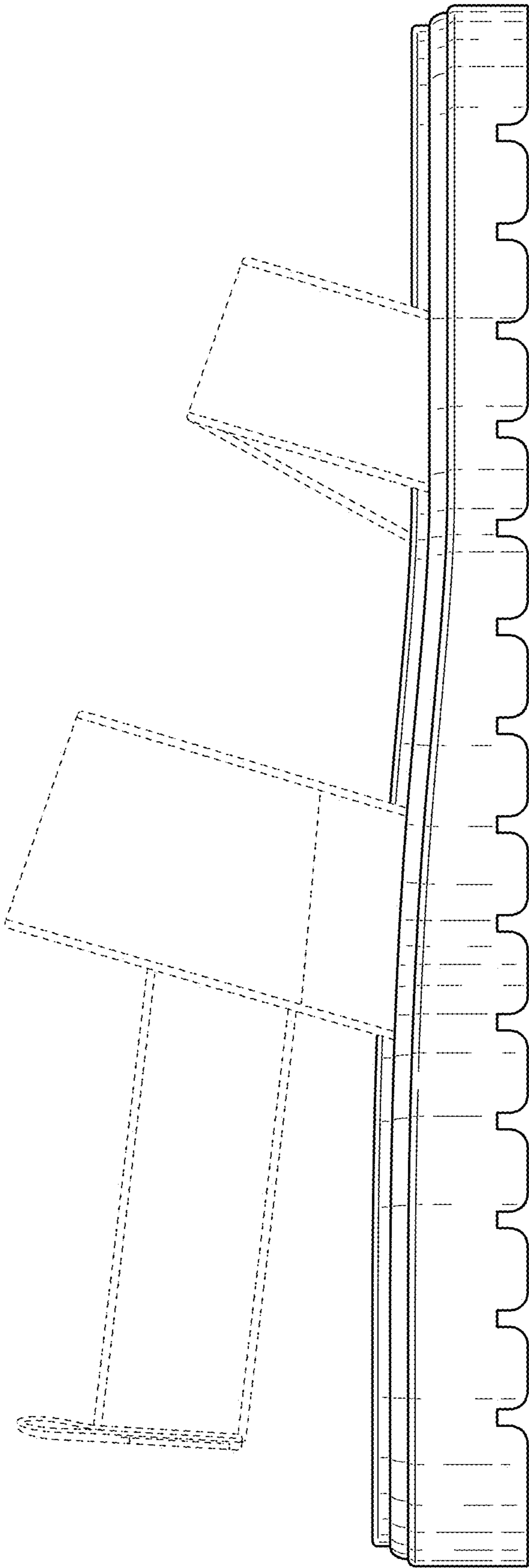


FIG. 5

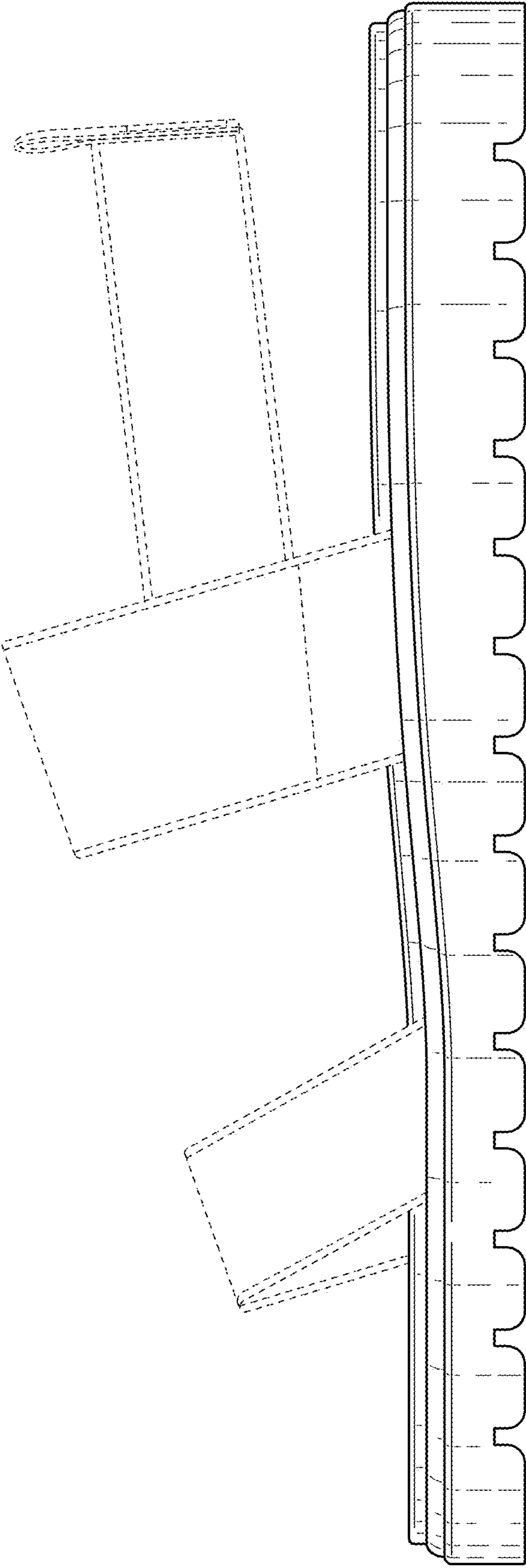


FIG. 6

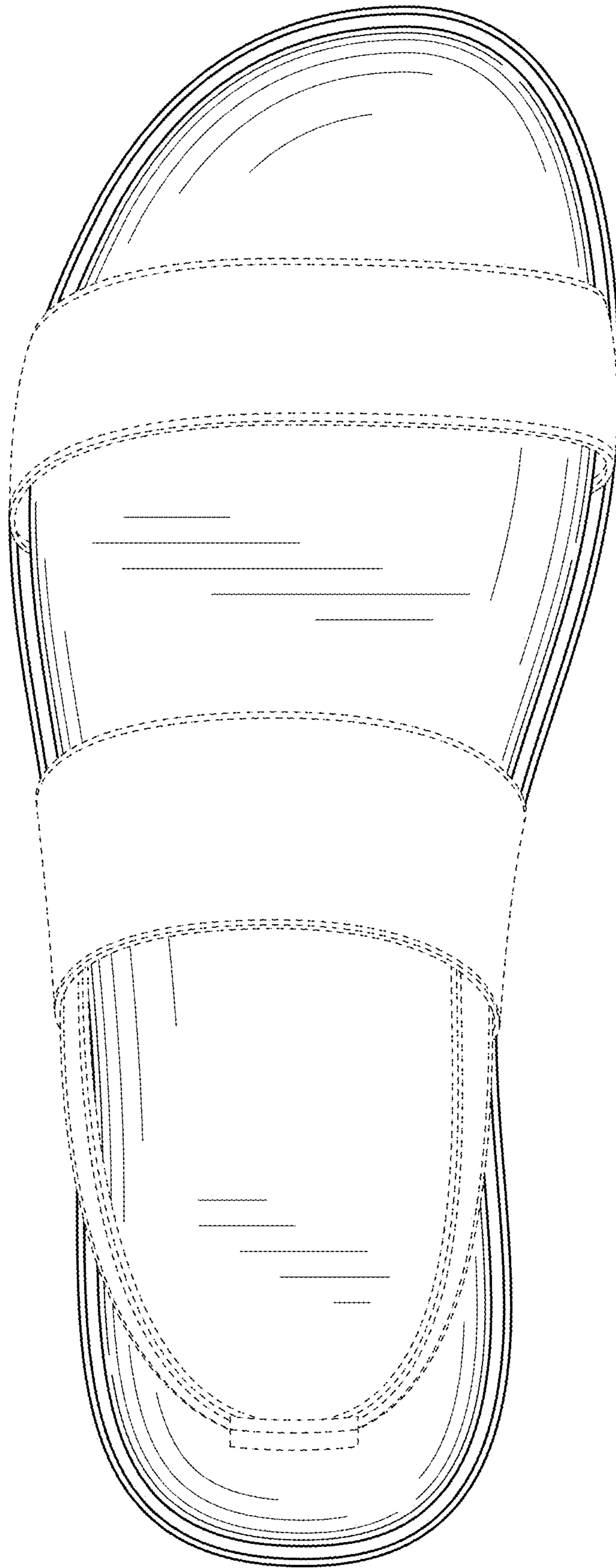


FIG. 7



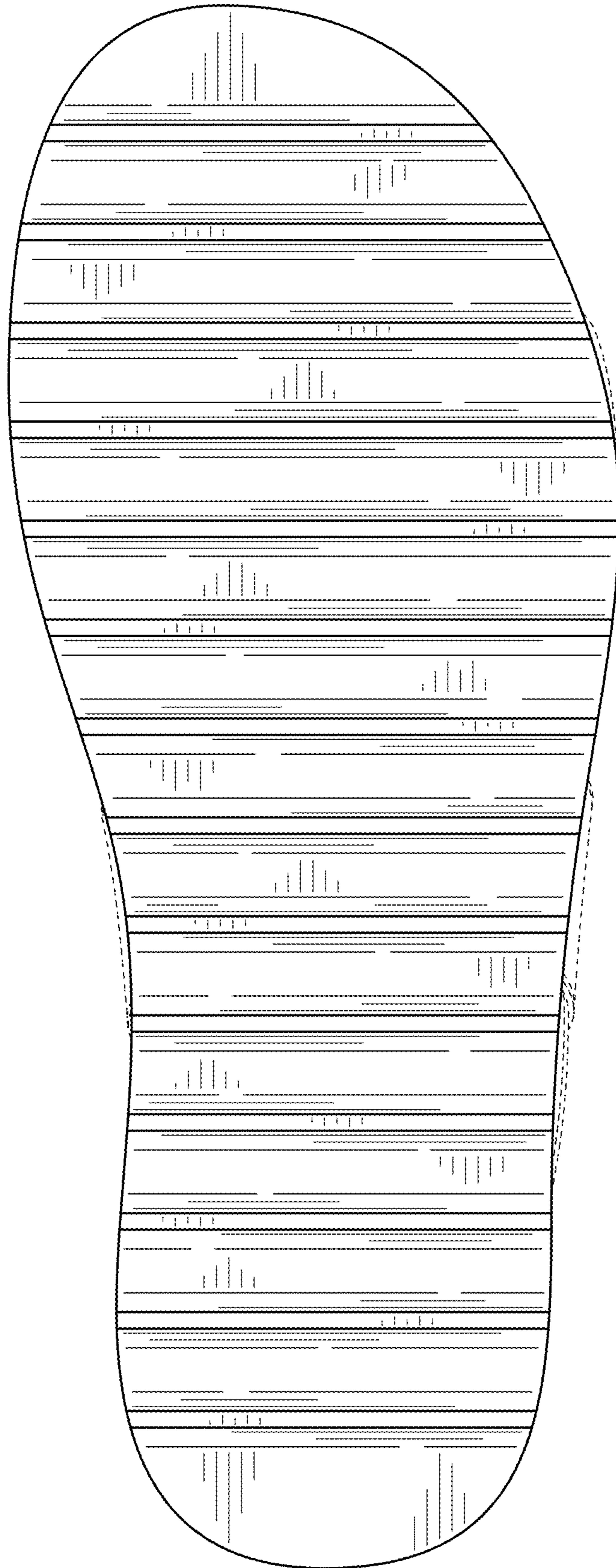


FIG. 8