



US00D950902S

(12) **United States Design Patent**  
**Liu**

(10) **Patent No.:** **US D950,902 S**

(45) **Date of Patent:** **\*\* May 10, 2022**

(54) **SLIPPER**

(71) Applicant: **Jinglu Liu**, Rizhao (CN)

(72) Inventor: **Jinglu Liu**, Rizhao (CN)

(\*\*) Term: **15 Years**

(21) Appl. No.: **29/698,077**

(22) Filed: **Jul. 15, 2019**

(30) **Foreign Application Priority Data**

Jan. 15, 2019 (CN) ..... 201930019853.3

(51) **LOC (13) Cl.** ..... **02-04**

(52) **U.S. Cl.**  
USPC ..... **D2/919**

(58) **Field of Classification Search**  
USPC ..... D2/896-900, 916-926, 946, 969  
CPC .. A43B 3/12; A43B 3/128; A43B 3/10; A43B  
3/102  
See application file for complete search history.

(56) **References Cited**

**U.S. PATENT DOCUMENTS**

- 5,802,738 A \* 9/1998 Ferniani ..... A43B 3/103  
36/11.5
- D492,474 S \* 7/2004 Branstrom ..... D2/916

- D514,795 S \* 2/2006 Gerber ..... D2/969
- D643,599 S \* 8/2011 Fontanarosa ..... D2/916
- D650,563 S \* 12/2011 Bonavita ..... D2/909
- D746,034 S \* 12/2015 Stauffer ..... D2/969
- D768,362 S \* 10/2016 Budke ..... D2/916
- D878,717 S \* 3/2020 Jackson ..... D2/916

\* cited by examiner

*Primary Examiner* — Rashida C. Walshon

(74) *Attorney, Agent, or Firm* — Bayramoglu Law Offices LLC

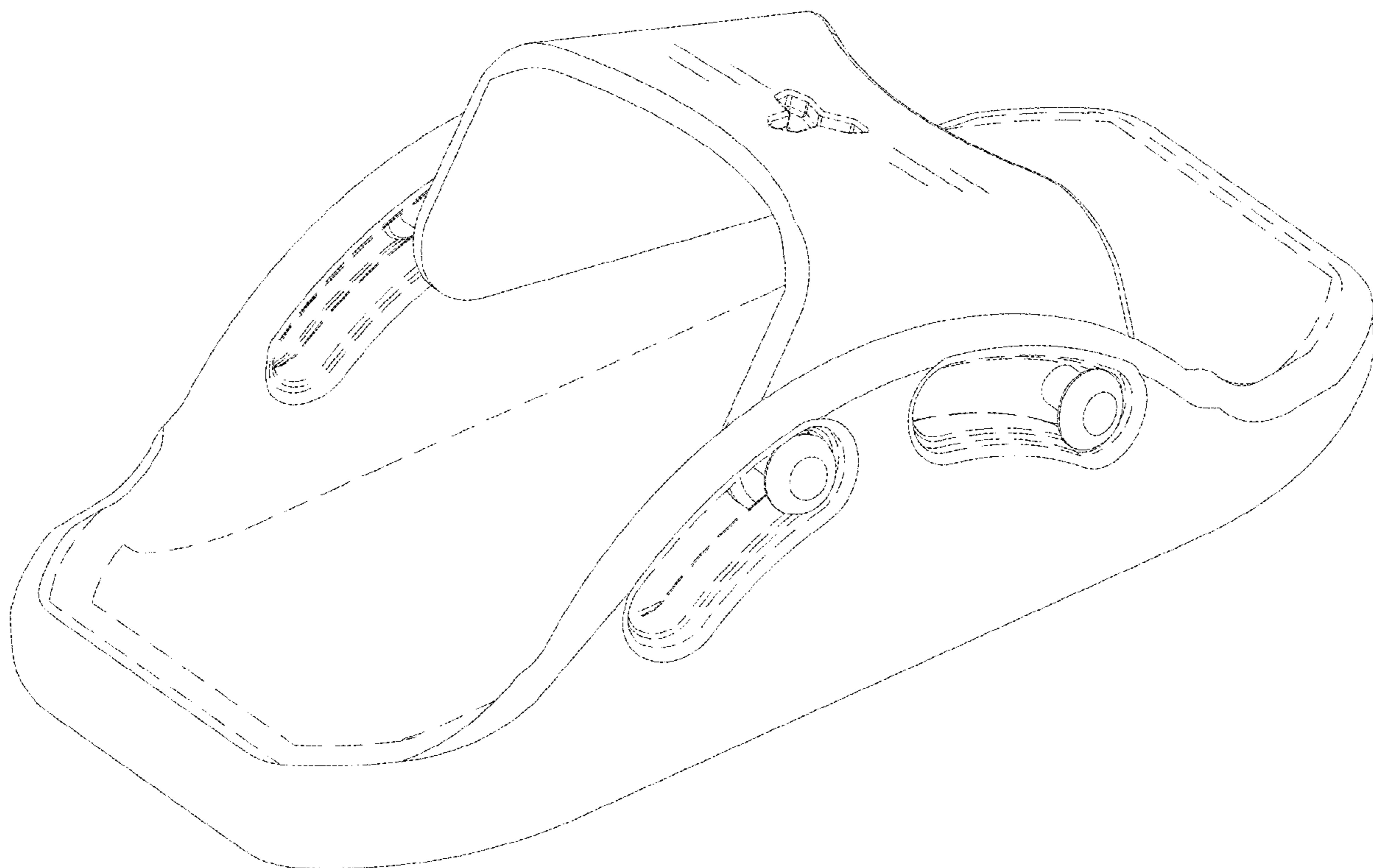
(57) **CLAIM**

The ornamental design for a slipper, as shown and described.

**DESCRIPTION**

FIG. 1 is a perspective view of a slipper showing my new design;  
 FIG. 2 is a front elevational view thereof;  
 FIG. 3 is a rear elevational view thereof;  
 FIG. 4 is a left side elevational view thereof;  
 FIG. 5 is a right side elevational view thereof;  
 FIG. 6 is a top plan view thereof; and,  
 FIG. 7 is a bottom plan view thereof.  
 The broken lines depict portions of the slipper in which the design is embodied that form no part of the claimed design.

**1 Claim, 7 Drawing Sheets**



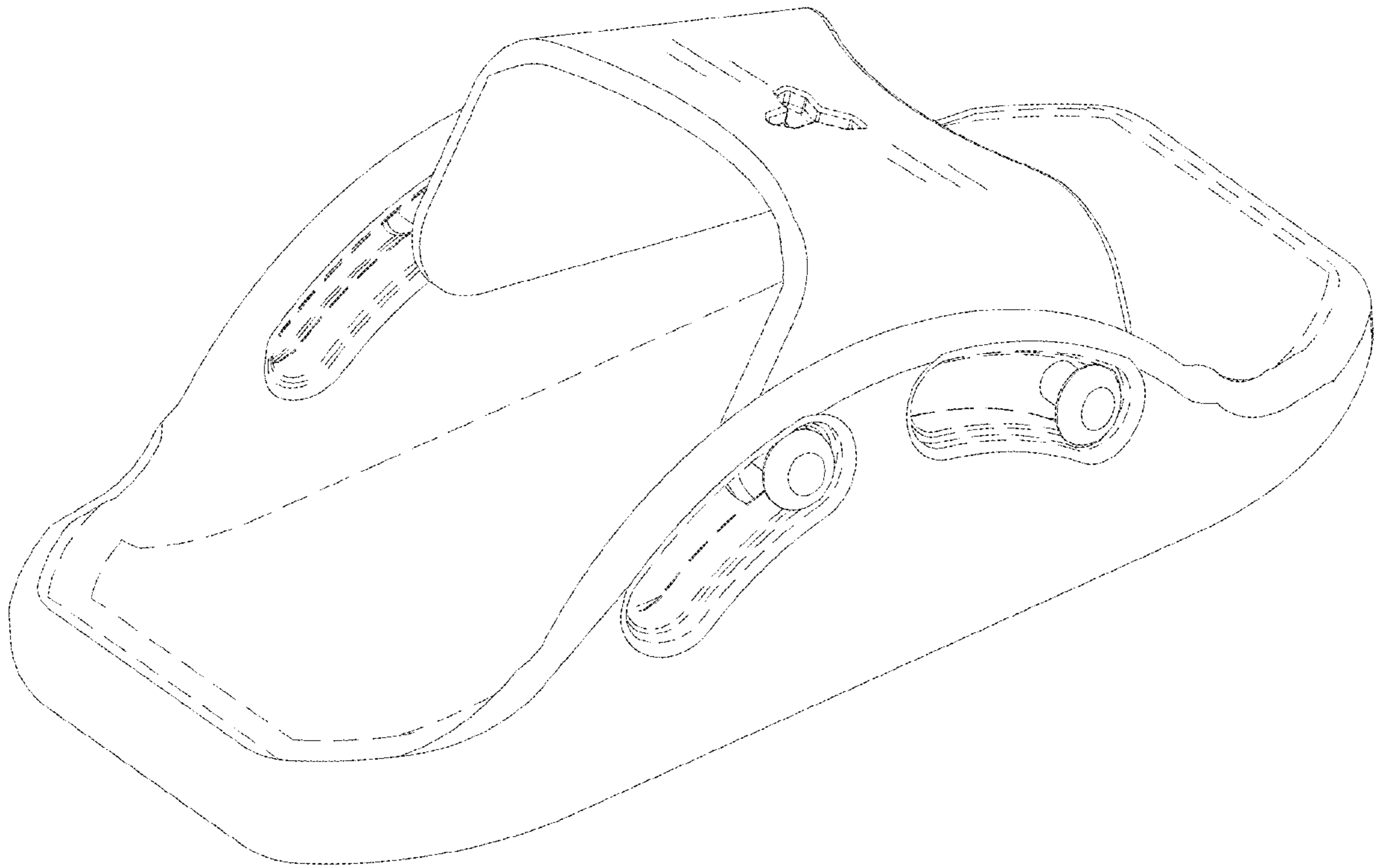


Fig 1

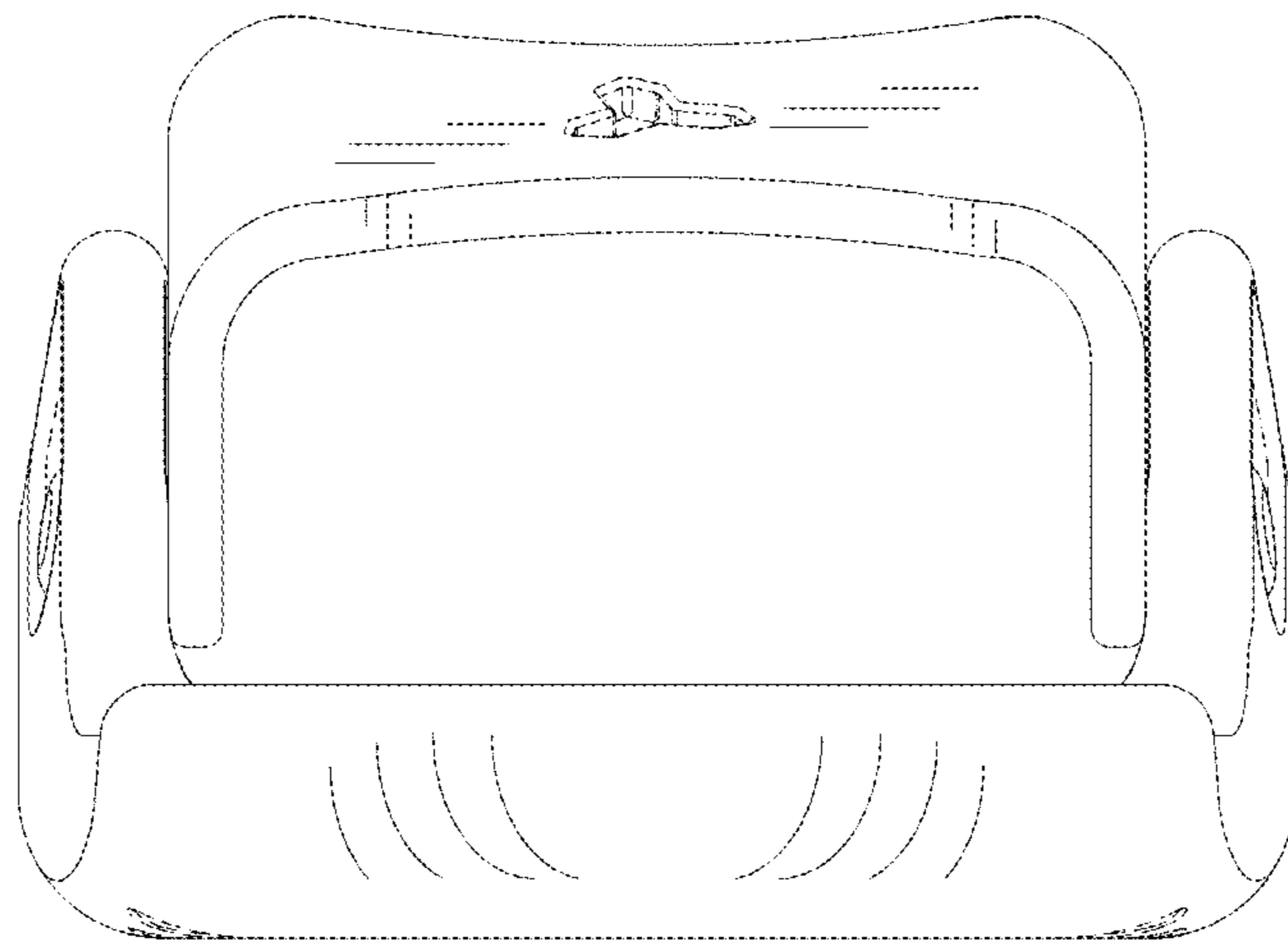


Fig 2

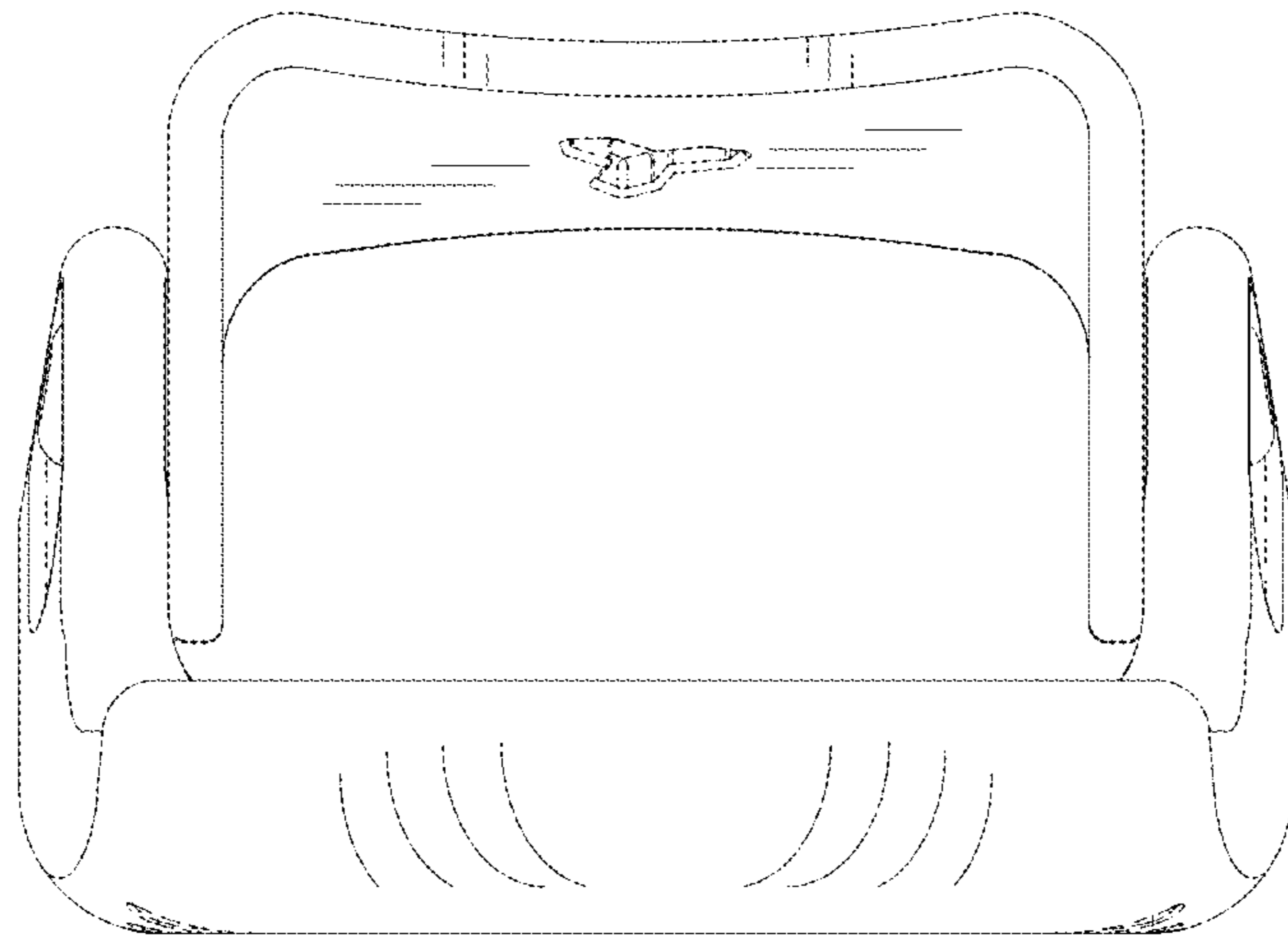


Fig 3

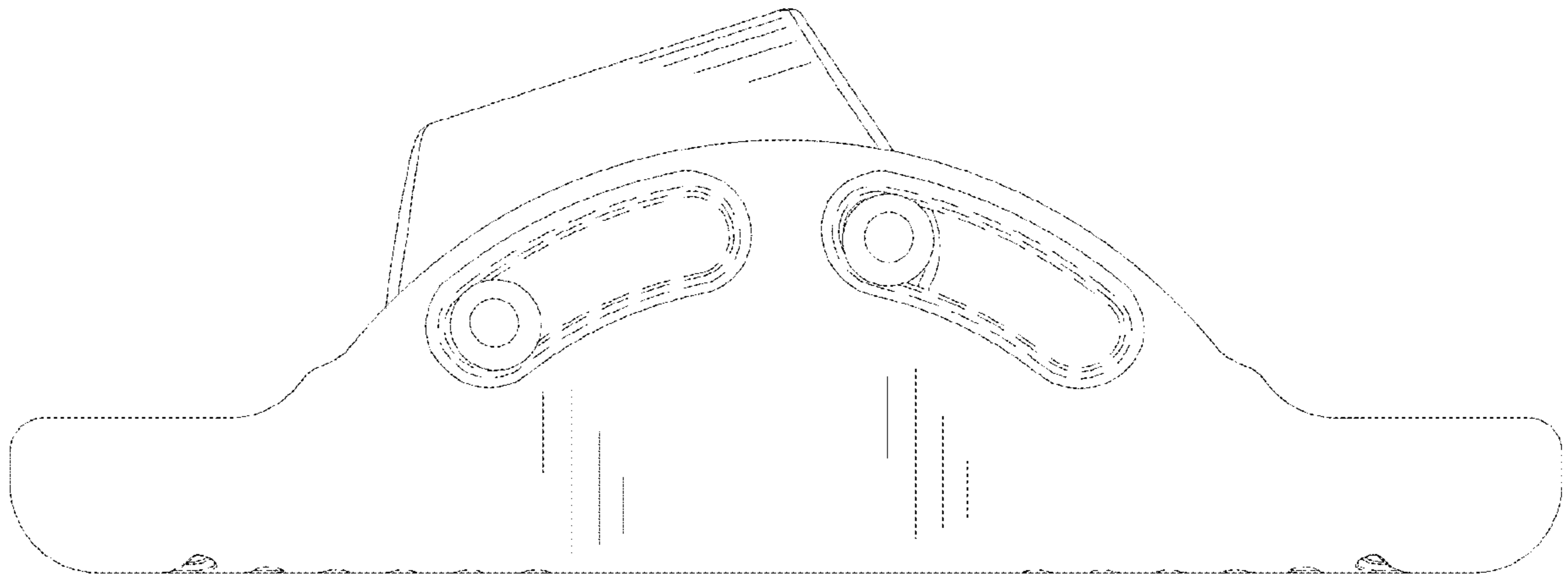


Fig 4

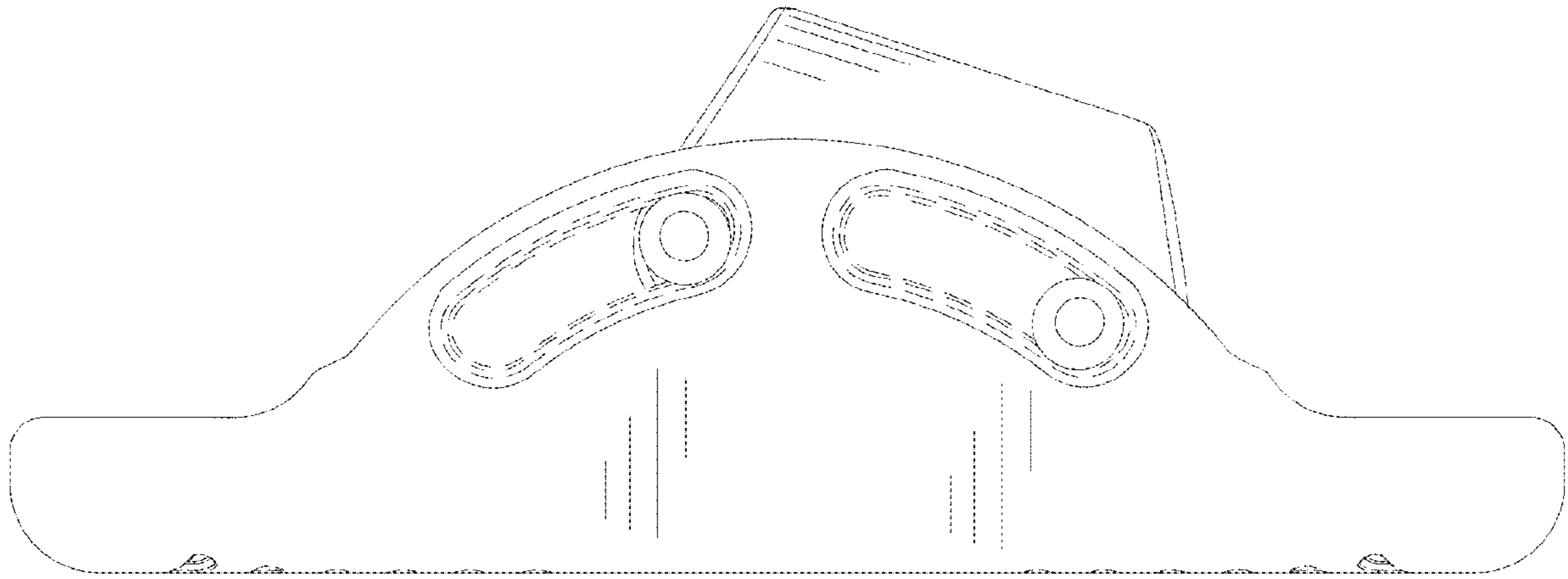


Fig 5

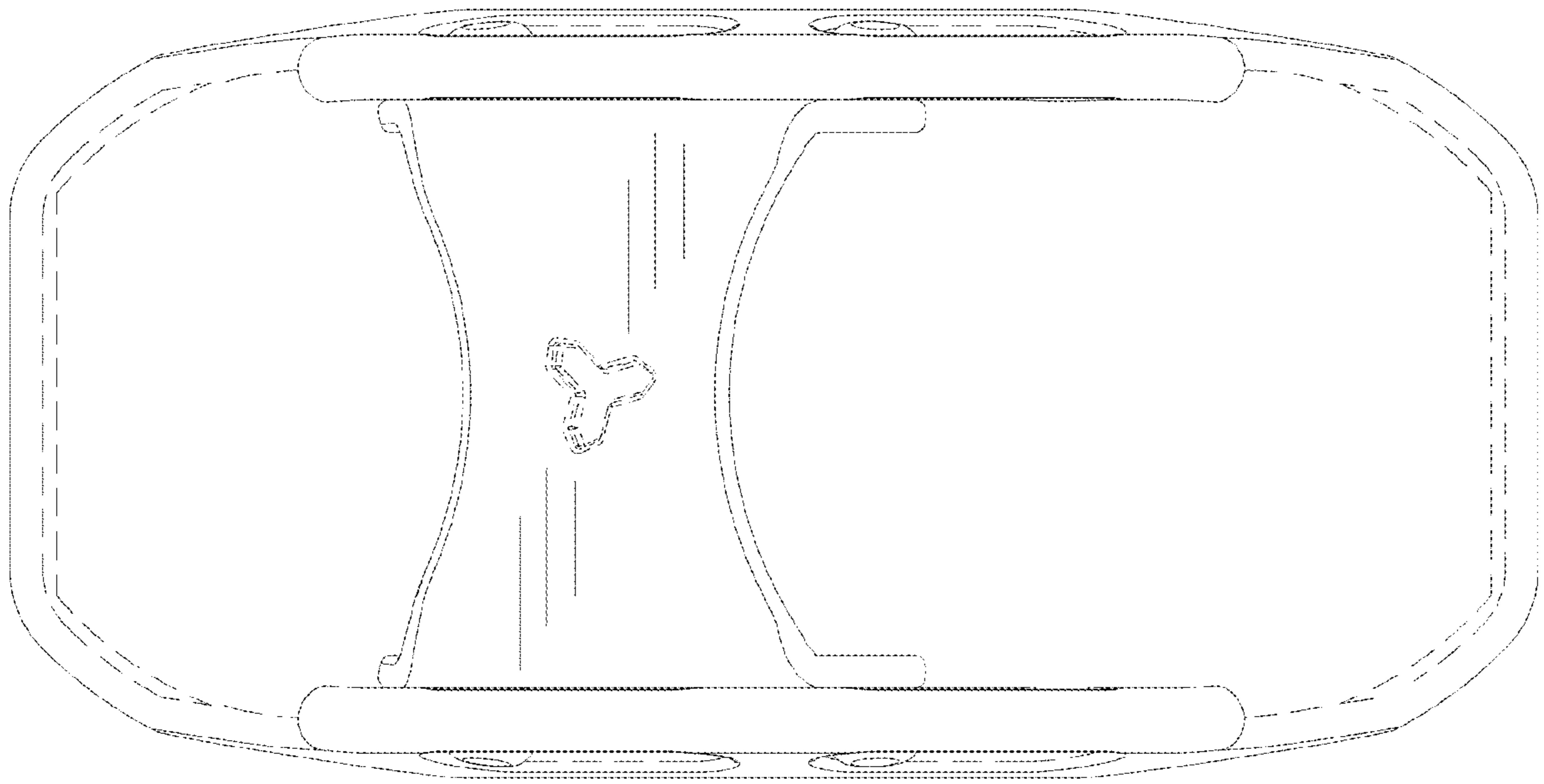


Fig 6

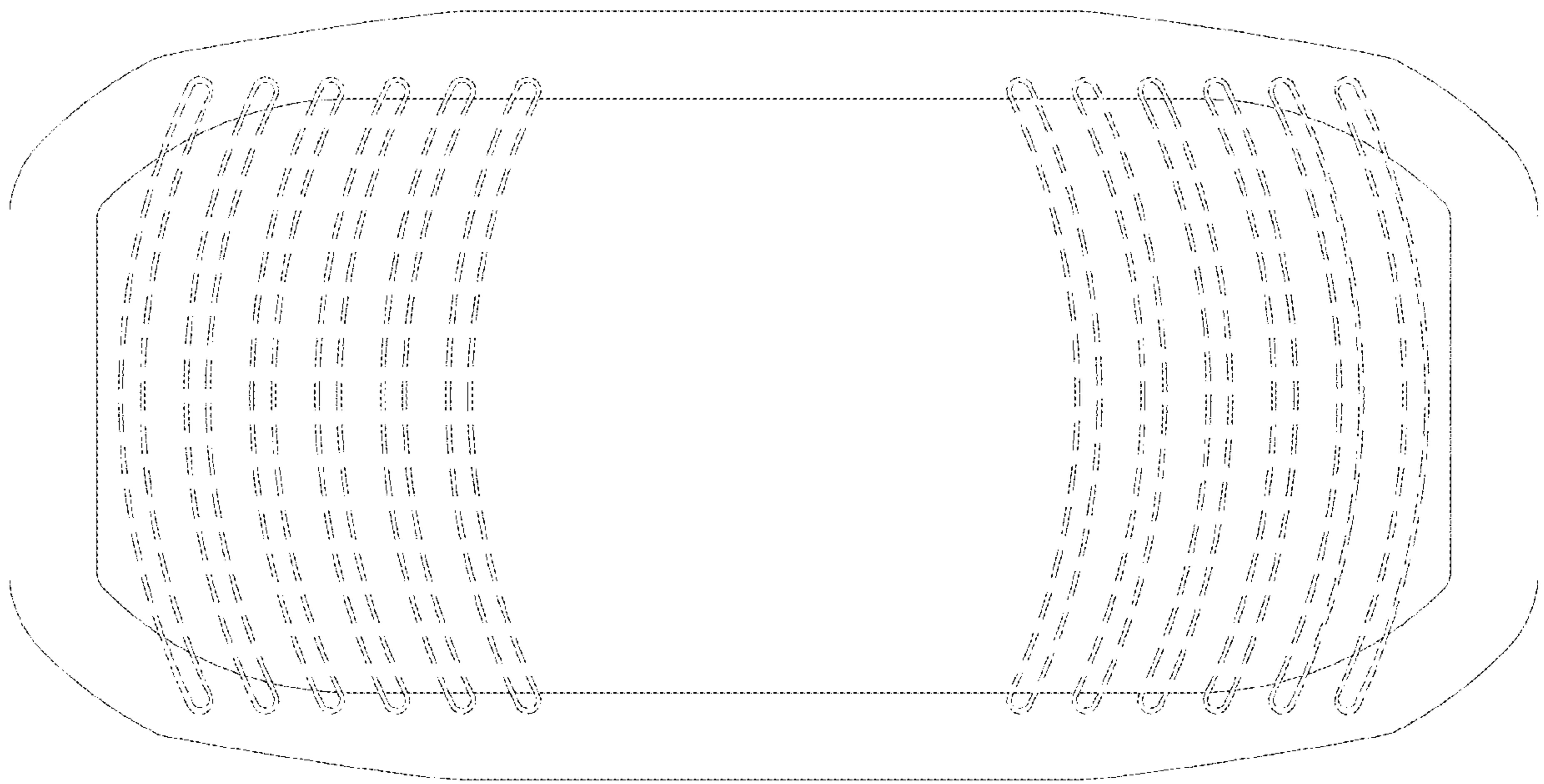


Fig 7