



US00D950892S

(12) **United States Design Patent** (10) **Patent No.:** **US D950,892 S**
Love (45) **Date of Patent:** **** May 10, 2022**

(54) **BIB**

FOREIGN PATENT DOCUMENTS

(71) Applicant: **Tara Love**, Beverly Hills, CA (US)

GB 1217520 * 12/1970

(72) Inventor: **Tara Love**, Beverly Hills, CA (US)

OTHER PUBLICATIONS

(**) Term: **15 Years**

Tidi Choice Capes posted to amazon.com. Available date: May 18, 2016 [site visited Mar. 11, 2022] Available: <https://www.amazon.com/Products-910415-Choice-Capes-Girth/dp/B01FU2A048/ref=sr_1_16?keywords=disposable%2Bcapes&qid=1647011949&sr=8-16&th=1> (Year: 2016).*

(21) Appl. No.: **29/752,199**

(22) Filed: **Sep. 25, 2020**

(51) **LOC (13) Cl.** **02-02**

(52) **U.S. Cl.**

USPC **D2/861**

(58) **Field of Classification Search**

USPC D2/864, 861, 863, 826, 823, 836, 860;
D6/608

CPC A41D 13/12; A41D 13/04; A41D 1/00
See application file for complete search history.

Primary Examiner — Kevin K Rudzinski

(74) *Attorney, Agent, or Firm* — Pete Adams Law, PLLC

(57) **CLAIM**

The ornamental design for a bib, as shown and described.

(56) **References Cited**

U.S. PATENT DOCUMENTS

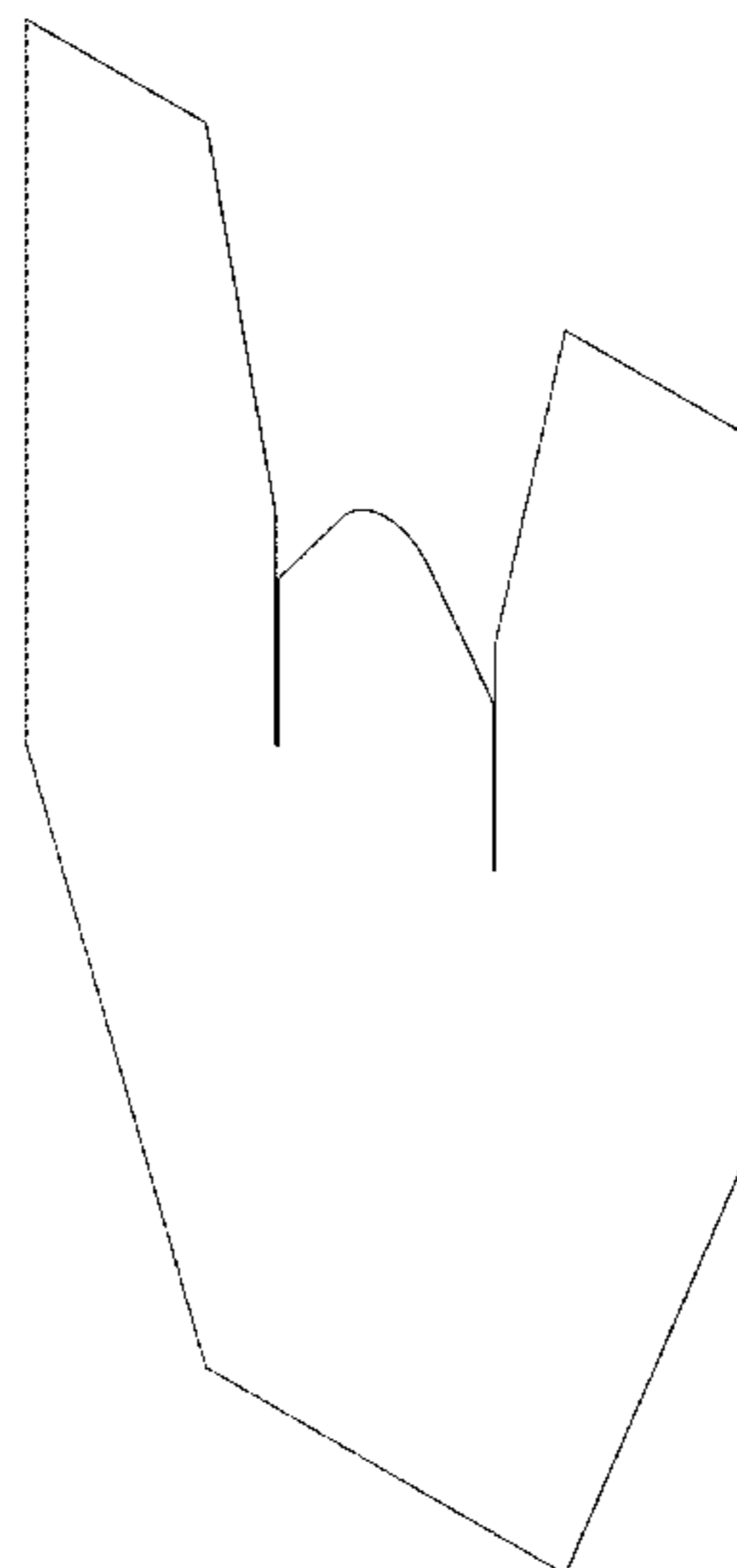
2,224,746	A *	12/1940	Richstein	A41D 13/04 2/48
2,282,547	A *	5/1942	Spanel	A41D 13/04 2/48
2,299,232	A *	10/1942	Heyser	A41B 13/10 2/49.1
2,621,330	A *	12/1952	Musselwhite	A41B 13/10 2/49.1
2,782,420	A *	2/1957	Barager	A45D 44/02 2/49.3
3,416,157	A *	12/1968	Grippe	A41B 13/10 2/48
3,793,644	A *	2/1974	Kellner	A41B 13/10 2/48
3,851,760	A *	12/1974	Smith	B65D 83/0805 206/390
3,857,116	A *	12/1974	Meeker	A41B 13/10 2/50
3,945,048	A *	3/1976	Shearer	A41B 13/103 2/48
4,139,912	A *	2/1979	Thuaud	A45D 44/08 2/50

(Continued)

DESCRIPTION

FIG. 1 is a perspective view of the bib;
FIG. 2 is a front view thereof, the rear view being a mirror image;
FIG. 3 is a left side view thereof, the right side being a mirror image;
FIG. 4 is a top view thereof, the bottom being a mirror image;
FIG. 5 is a front view of the bib folded, shown in its environmental use;
FIG. 6 is a rear view of the bib folded, shown in its environmental use;
FIG. 7 is a rear view of the bib folded, shown in an alternative environmental use; and,
FIG. 8 is a front view of the bib folded, shown in an alternative environmental use.
Broken lines in the drawings represent unclaimed environmental subject matter and form no part of the claimed design.

1 Claim, 6 Drawing Sheets



(56)

References Cited

U.S. PATENT DOCUMENTS

4,225,977	A *	10/1980	Smith	A41B 13/10	2/48
4,442,552	A *	4/1984	Bolick	B32B 5/26	2/49.1
4,646,364	A *	3/1987	O'Larey	A45D 44/08	2/50
4,914,754	A *	4/1990	Ruth	A45D 44/08	2/901
4,951,318	A *	8/1990	Harreld	A41D 13/1209	2/48
D316,002	S *	4/1991	Dunsmore	D6/603	
5,056,159	A *	10/1991	Zemke, Jr.	A41B 13/10	2/46
5,293,646	A *	3/1994	Winston	A41D 13/05	2/88
5,740,552	A *	4/1998	Smith	A41D 13/04	2/48
5,809,568	A *	9/1998	Morris-Jones	A41B 13/10	2/49.1
5,930,837	A *	8/1999	Anvar	A41B 13/10	2/49.1
5,963,986	A *	10/1999	Deppen	A45D 44/08	2/50
5,991,919	A *	11/1999	Baggetto	A45D 44/08	2/50
6,094,744	A *	8/2000	Dibenedetto	A45D 44/08	2/60
6,151,716	A *	11/2000	Patterson	A41B 13/10	2/49.1
6,584,617	B1 *	7/2003	Turner	A41D 1/04	2/88
6,842,910	B1 *	1/2005	Martinez	A47K 5/122	2/50
D506,343	S *	6/2005	Holt	D6/608	
7,065,791	B1 *	6/2006	Harris	A45D 44/08	2/50
7,237,271	B1 *	7/2007	McLandrich	A41B 13/106	2/49.1
D618,445	S *	6/2010	Hatcher, Jr.	D2/860	
8,056,145	B2 *	11/2011	Shamsnobar	B65D 5/18	2/46
D762,950	S *	8/2016	Liu	D2/860	
D780,410	S *	3/2017	Liu	D2/860	
D897,634	S *	10/2020	Jiles	D2/823	
2001/0014980	A1 *	8/2001	Patterson	A41B 13/10	2/49.1
2009/0300815	A1 *	12/2009	Nunez	A41D 13/04	2/50

* cited by examiner

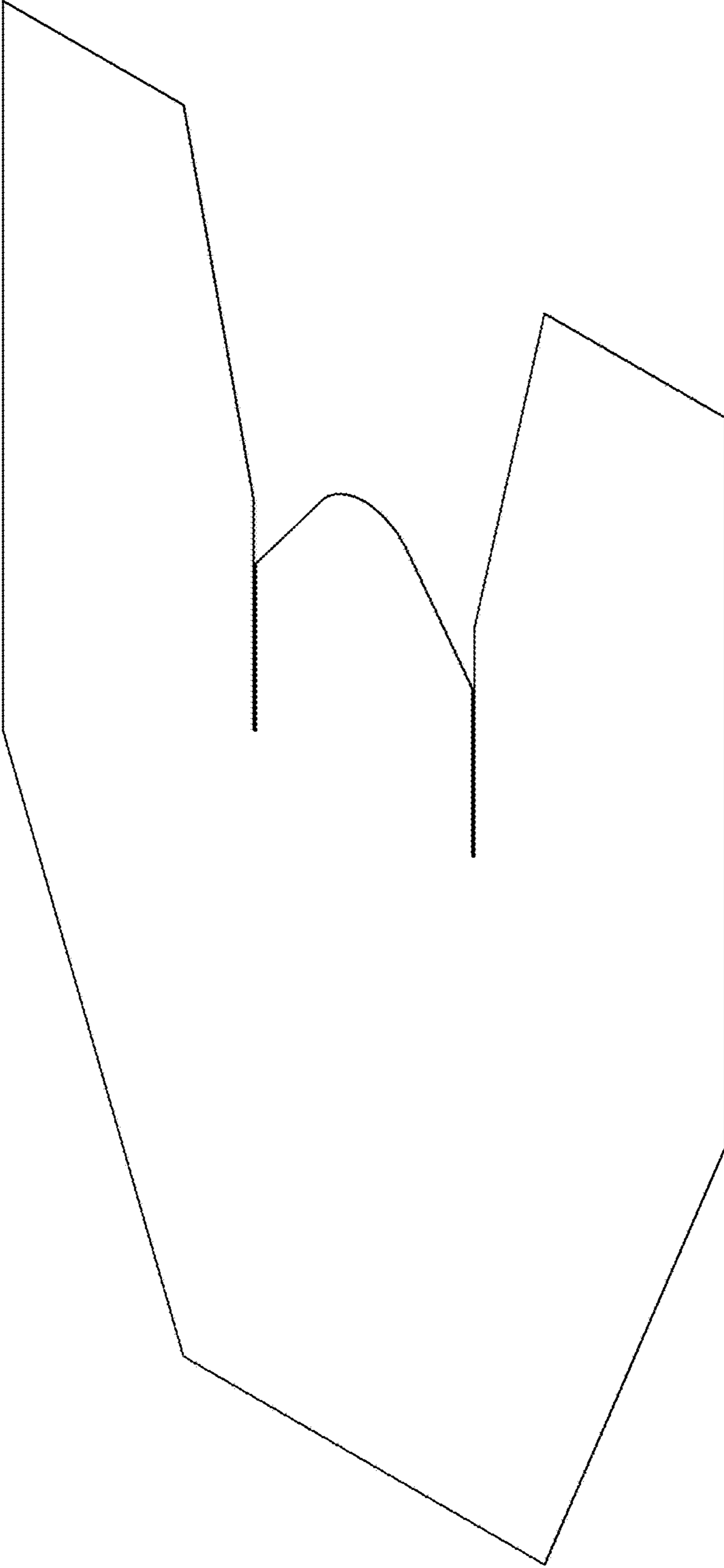


FIG. 1

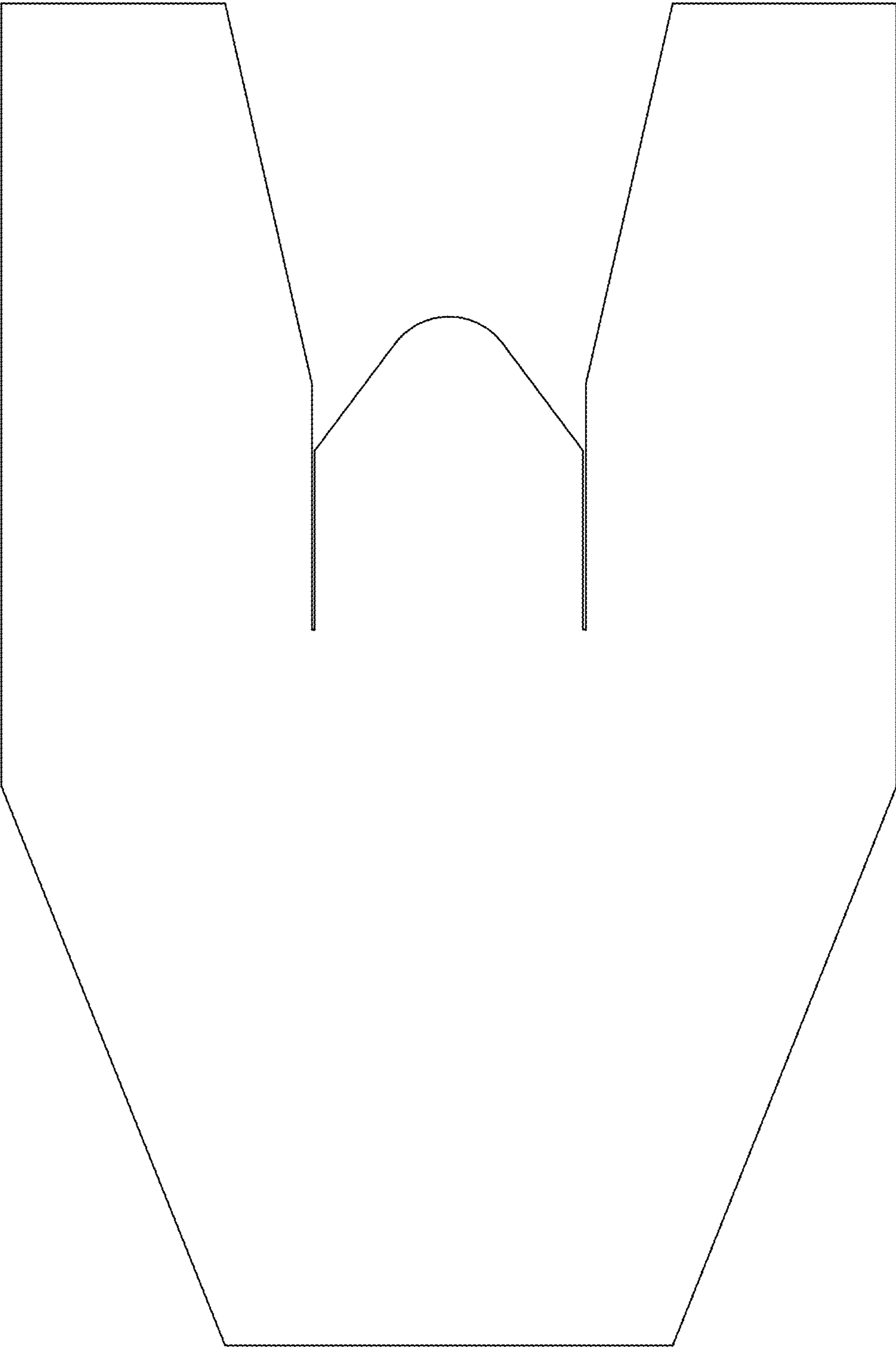


FIG. 2



FIG. 3



FIG. 4

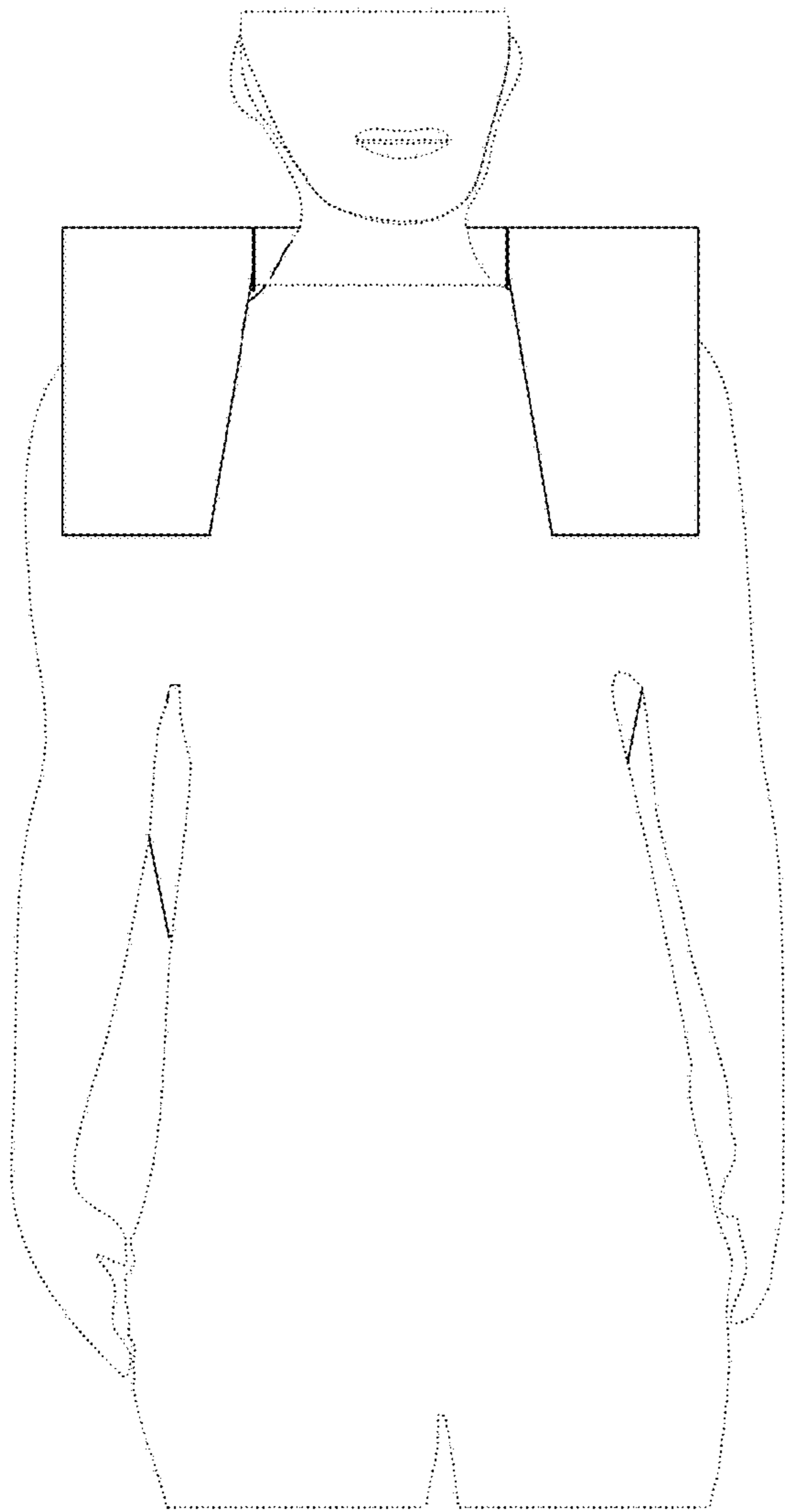


FIG. 5

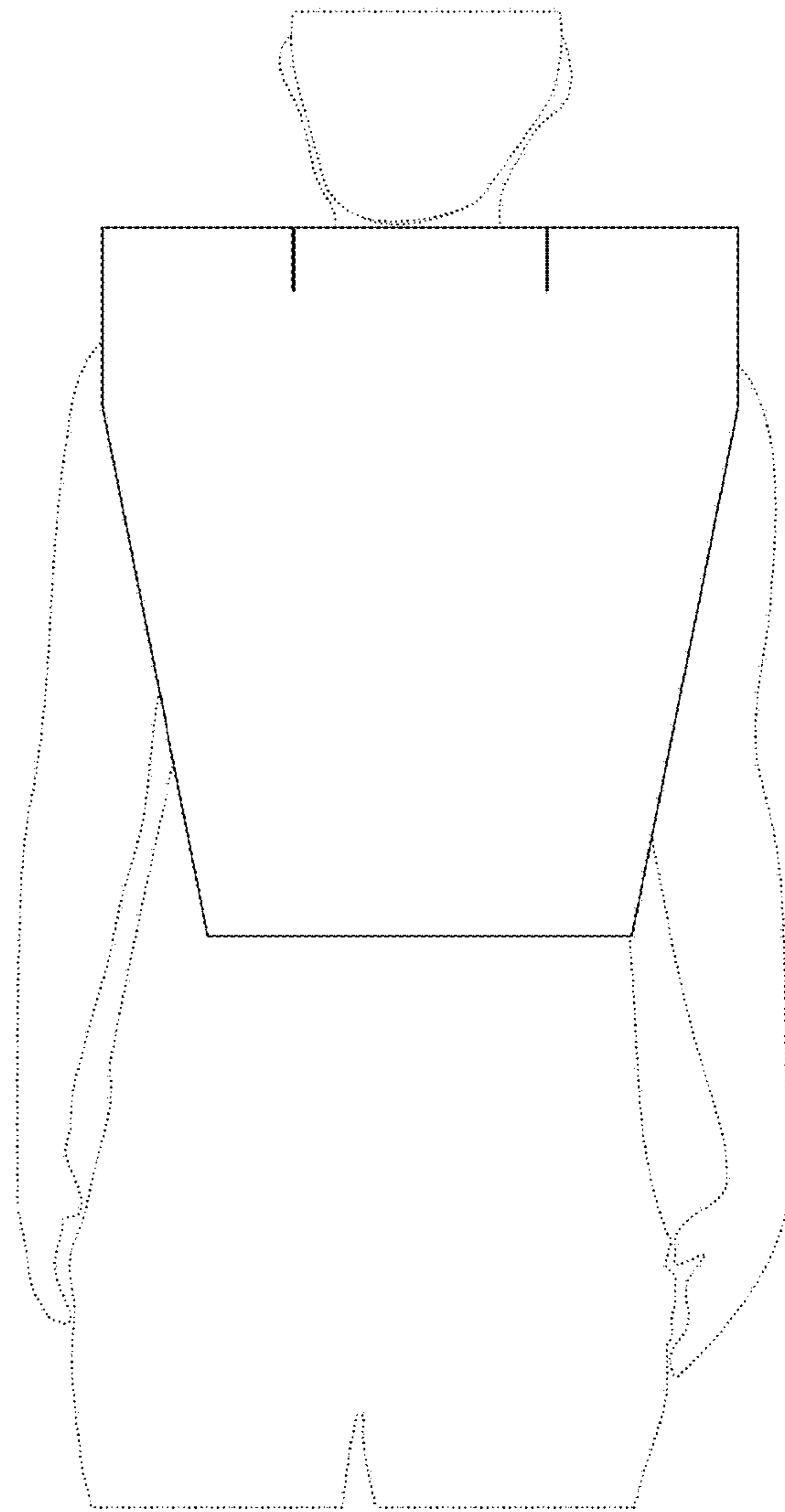


FIG. 6

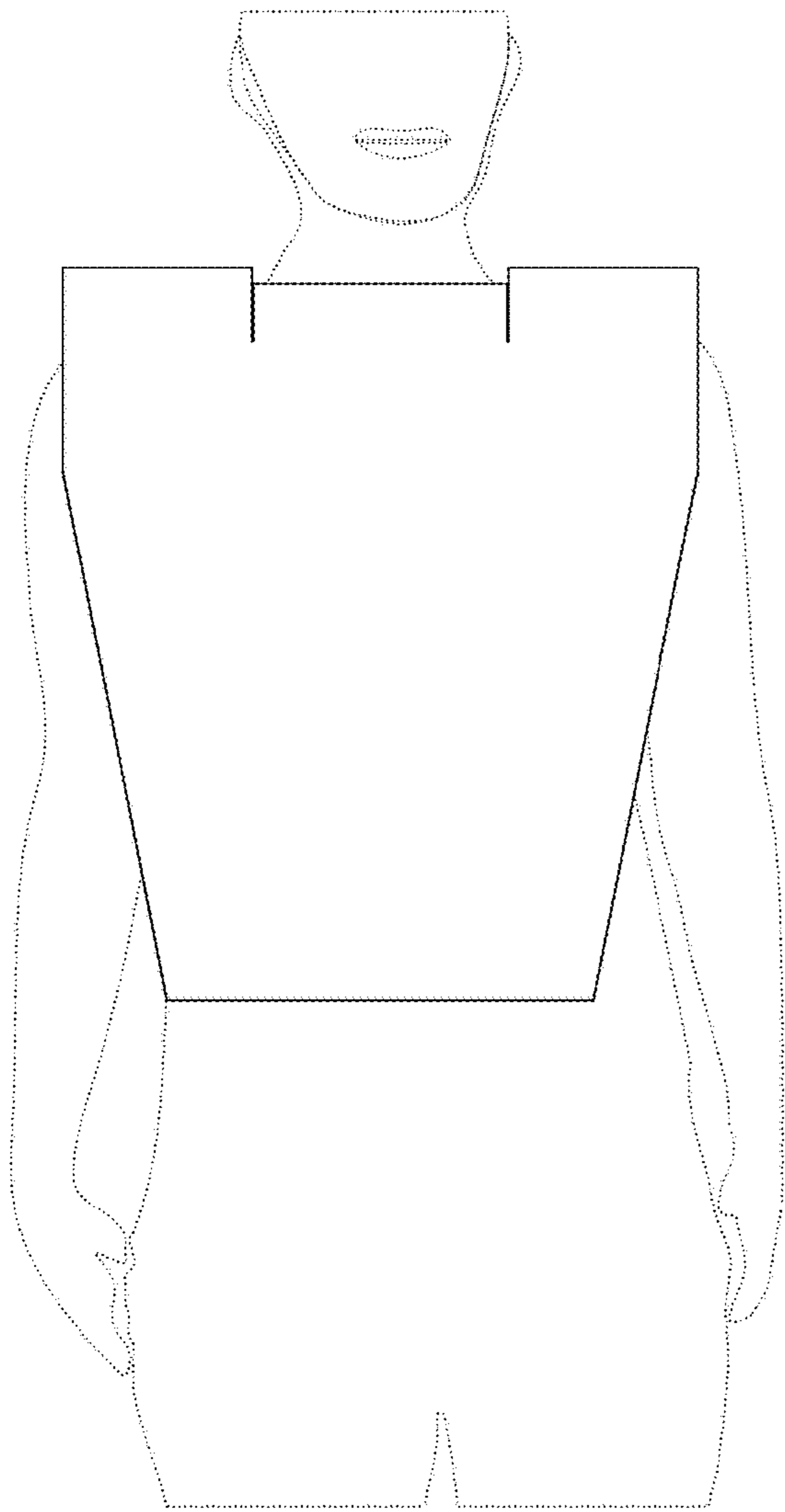


FIG. 7

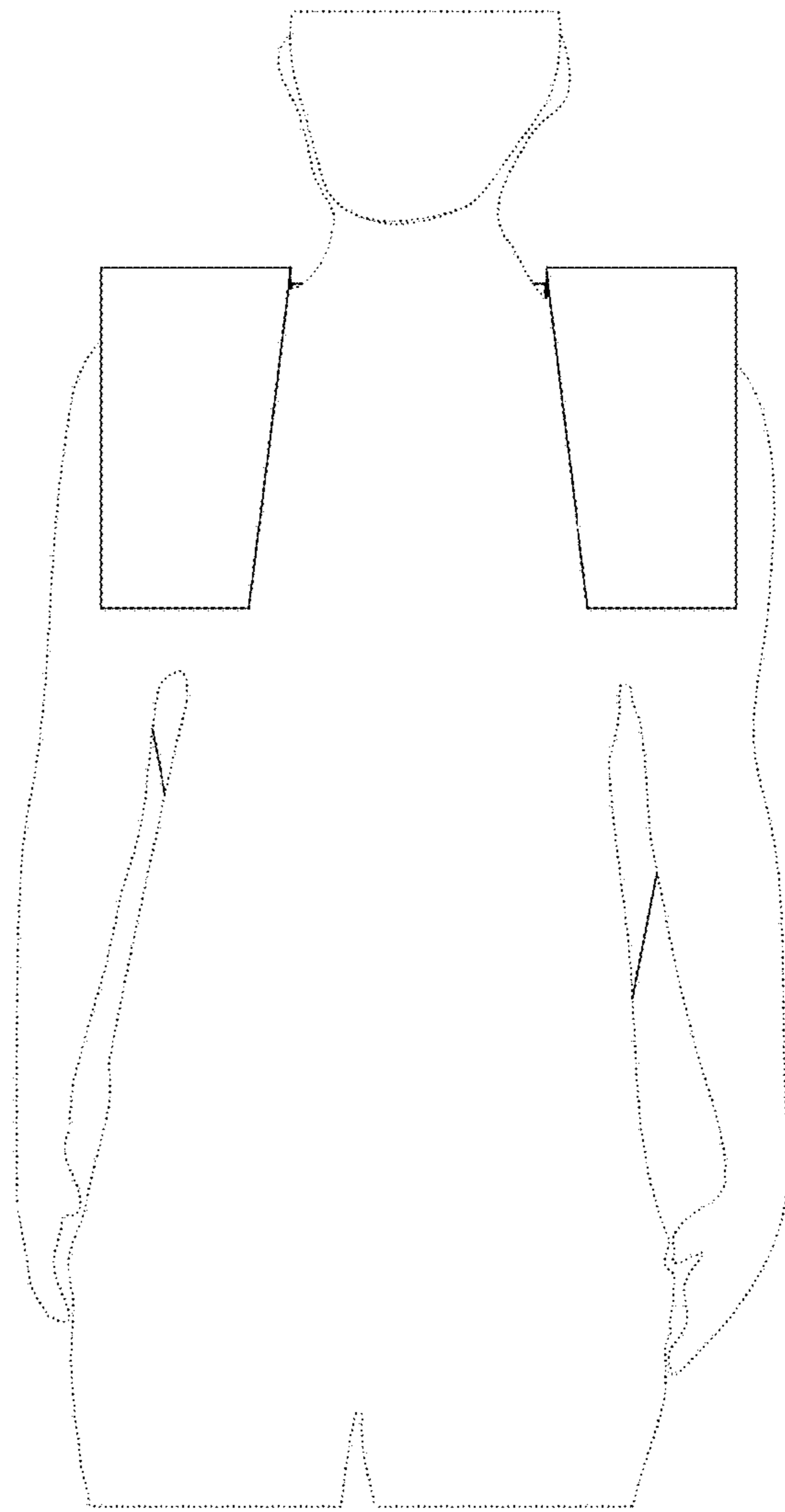


FIG. 8