



US00D950891S

(12) **United States Design Patent**
Khachikyan

(10) **Patent No.:** **US D950,891 S**
(45) **Date of Patent:** **** May 10, 2022**

(54) **APRON-NAPKIN ARTICLE**

DESCRIPTION

(71) Applicant: **Karen Khachikyan**, Yerevan (AM)

FIG. 1 is a front perspective view of our apron-napkin article according to my new design showing a base section in a collapsed, folded position and an attached strap in a fully extended position;

(72) Inventor: **Karen Khachikyan**, Yerevan (AM)

FIG. 2 is a rear elevation view thereof;

(**) Term: **15 Years**

FIG. 3 is a front elevation view thereof with the strap being partially shown;

(21) Appl. No.: **29/724,375**

FIG. 4 is a right side elevation view thereof;

(22) Filed: **Feb. 14, 2020**

FIG. 5 is a left side elevation view thereof;

(30) **Foreign Application Priority Data**

FIG. 6 is a top plan view thereof;

Aug. 14, 2019 (AM) 20190027

FIG. 7 is a bottom plan view thereof;

(51) **LOC (13) Cl.** **02-02**

FIG. 8 is a front elevation view thereof with the base section in the collapsed, folded position and the attached strap in a folded position in which it is wrapped around the collapsed, folded base section;

(52) **U.S. Cl.**
USPC **D2/860**

(58) **Field of Classification Search**
USPC D2/860, 861, 864, 745; D3/215
(Continued)

FIG. 9 is a top plan view showing the base section in an open position with the attached strap in the fully extended position and the napkin in a completely folded state is shown inside the base section;

(56) **References Cited**

FIG. 10 is a right side elevation view thereof showing the base section in the open position with the attached strap, shown broken away for ease of illustration, in the fully extended position, the left side elevation view being a mirror image;

U.S. PATENT DOCUMENTS

2,265,690 A * 12/1941 Fiedler A41D 13/04
2/48
2,704,625 A * 3/1955 Huse A01D 46/22
224/576

FIG. 11 is a right side elevation view thereof showing the base section in the open position with the attached strap, shown broken away for ease of illustration, in the fully extended position and showing partial unfolding and removal of a napkin that is contained within the base section, the left side elevation view being a mirror image;

(Continued)

OTHER PUBLICATIONS

Beltz Bib for Neater In-Car Eating posted to craziestgadgets.com. Available date: May 21, 2009 [site visited Aug. 17, 2021] Available: <<http://craziestgadgets.com/2009/05/21/beltz-bib-for-neater-in-car-eating/>> (Year: 2009).*

FIG. 12 is a cross-sectional view taken along the line 12-12 of FIG. 9 illustrating the folded nature of the napkin contained within the base section and showing the strap broken away for ease of illustration; and,

(Continued)

Primary Examiner — Kevin K Rudzinski

FIG. 13 is a front perspective view showing the base section in the open position with the attached strap in the fully extended position and showing the unfolding and removal of the napkin that is contained within the base section.

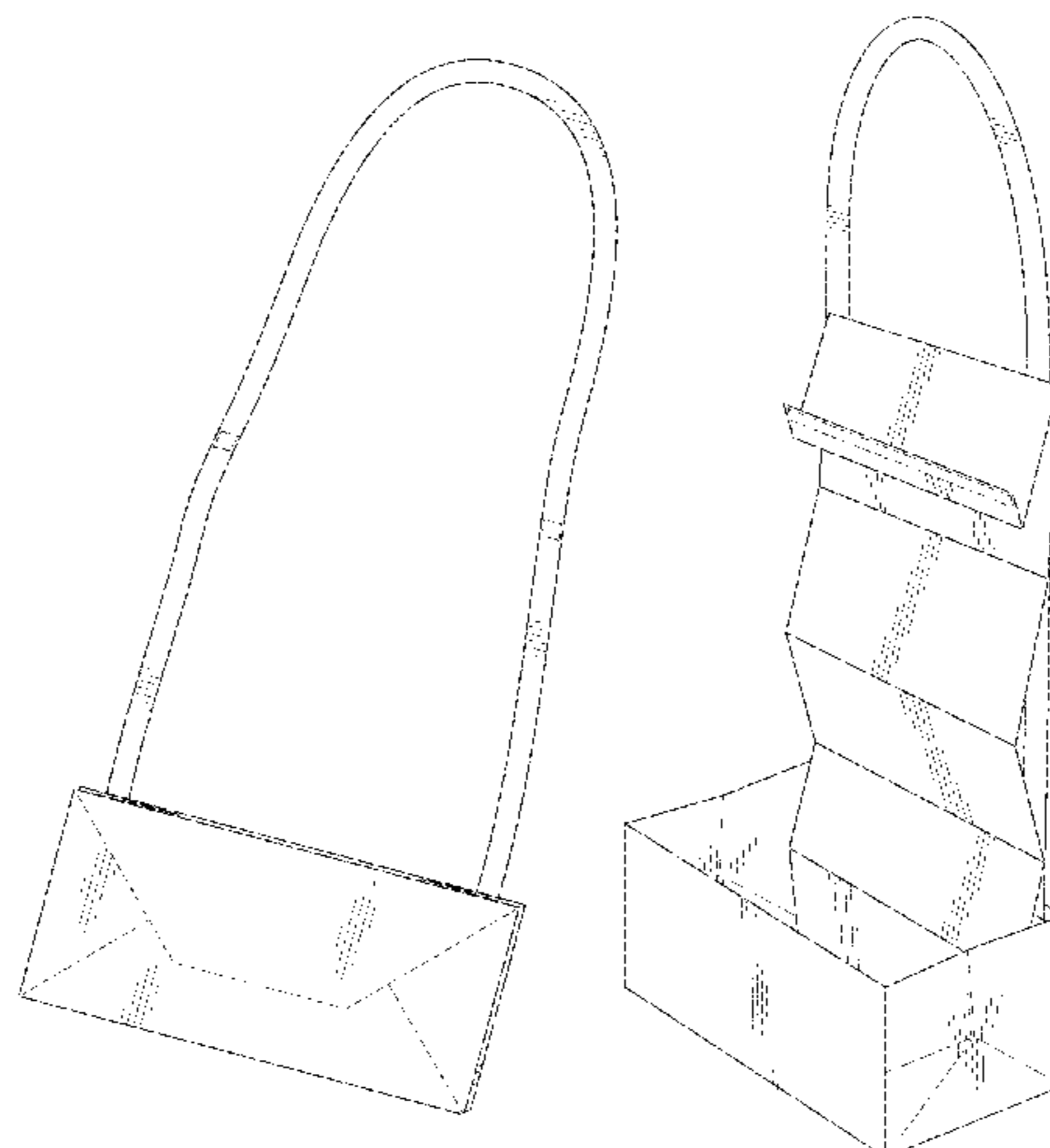
(74) *Attorney, Agent, or Firm* — Leason Ellis LLP

The broken lines shown in the drawings illustrate portions of the apron-napkin article that form no part of the claimed design.

(57) **CLAIM**

The ornamental design for an apron-napkin article, as shown and described.

1 Claim, 5 Drawing Sheets



(58) **Field of Classification Search**

CPC A41D 13/00; A41D 13/04; A41B 13/10;
A41B 13/00

See application file for complete search history.

(56) **References Cited**

U.S. PATENT DOCUMENTS

2,831,624 A * 4/1958 Lever B65D 5/4287
383/4
3,283,971 A * 11/1966 Jones B44D 3/24
224/183
4,114,199 A * 9/1978 Malan A41B 13/103
2/49.3
4,660,224 A * 4/1987 Ashcraft A41B 13/10
2/48
4,660,226 A * 4/1987 Quilling A41B 13/103
2/49.2
4,754,903 A * 7/1988 Dennis A45F 3/16
224/148.3
4,887,315 A * 12/1989 Bezdek A41B 13/10
2/46
5,056,159 A * 10/1991 Zemke, Jr. A41B 13/10
2/46
5,062,558 A * 11/1991 Stang A45F 5/00
224/270
5,075,897 A * 12/1991 Daniels A41B 13/10
2/48
D325,115 S * 4/1992 Vassar, Sr. D2/864
5,107,545 A * 4/1992 Potter A41D 13/0012
2/46
5,220,692 A * 6/1993 Cox A41D 13/04
2/46
5,328,265 A * 7/1994 Clooney A45C 9/00
383/122
5,671,479 A * 9/1997 Dedrick A41B 13/10
2/255
5,701,605 A * 12/1997 Bowen A41B 13/10
2/49.1
5,956,763 A * 9/1999 Blackshear A41B 13/106
2/49.1
D434,205 S * 11/2000 Kapszukiewicz D2/860
6,334,220 B1 * 1/2002 Frye A41B 13/103
2/49.2
6,505,367 B2 * 1/2003 Griffin A47D 5/006
2/48
D473,364 S * 4/2003 Conte A41B 13/106
D2/860
D483,552 S * 12/2003 Hughes D2/861

6,708,341 B1 * 3/2004 Schaller A41D 13/04
2/48
6,789,265 B1 * 9/2004 Vonrinteln A41B 13/103
2/48
D499,530 S * 12/2004 Mintz D2/860
6,826,780 B1 * 12/2004 Romesburg A41B 13/103
2/48
D540,511 S * 4/2007 Toomer D2/861
7,360,256 B1 * 4/2008 Jiles A41B 13/10
2/48
7,469,425 B2 * 12/2008 DeStefano A41B 13/106
2/49.1
8,056,145 B2 * 11/2011 Shamsnobar B65D 5/18
2/46
8,061,896 B2 * 11/2011 Delgado B65D 31/005
383/4
D650,987 S * 12/2011 Rothbauer D3/215
D686,803 S * 7/2013 Phillips D2/864
8,966,665 B2 * 3/2015 Lee A44B 6/00
2/49.2
10,034,499 B2 * 7/2018 Blackshear A41D 13/04
D829,414 S * 10/2018 Dyson D2/860
10,479,560 B1 * 11/2019 Calo B65D 33/16
2001/0054191 A1 * 12/2001 Frye A41B 13/103
2/49.2
2002/0004945 A1 * 1/2002 Kaloustian A41B 13/106
2/49.1
2004/0128729 A1 * 7/2004 Lat A41B 13/103
2/46
2006/0174390 A1 * 8/2006 Wakhloo A41D 13/04
2/48
2008/0052801 A1 * 3/2008 Monroe A41D 13/04
2/49.4
2008/0060108 A1 * 3/2008 Gors A41D 13/0012
2/48
2008/0148462 A1 * 6/2008 Monroe A41B 13/10
2/49.4
2010/0065465 A1 * 3/2010 Delgado A47G 23/0303
206/549

OTHER PUBLICATIONS

Drib—Driving Bib Prevents Drips and Spills posted to thegreenhead.com. Available date: Oct. 29, 2009 [site visited Aug. 17, 2021] Available: <<https://www.thegreenhead.com/2009/10/drib-driving-bib-prevents-drips-spills.php>> (Year: 2009).
Spill Bandit Clothing Protector and Adult Driving Bib for the Car posted to amazon.com. Available date: Nov. 16, 2015 [site visited Aug. 17, 2021] Available: <<https://www.amazon.com/Spill-Bandit-Black-Clothing-Protector/dp/B0182QQW6?th=1>> (Year: 2015).*

* cited by examiner

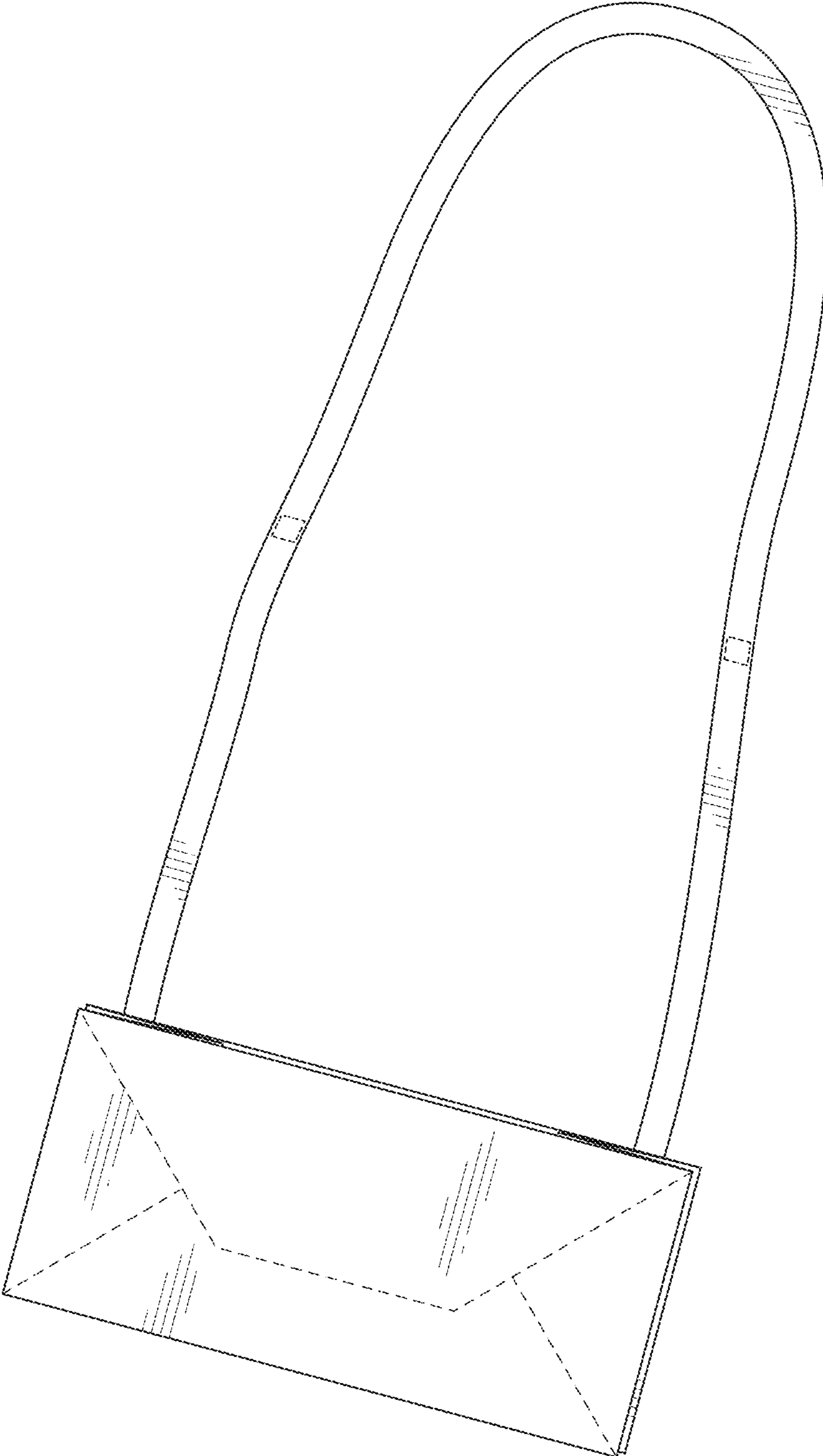


Fig. 1

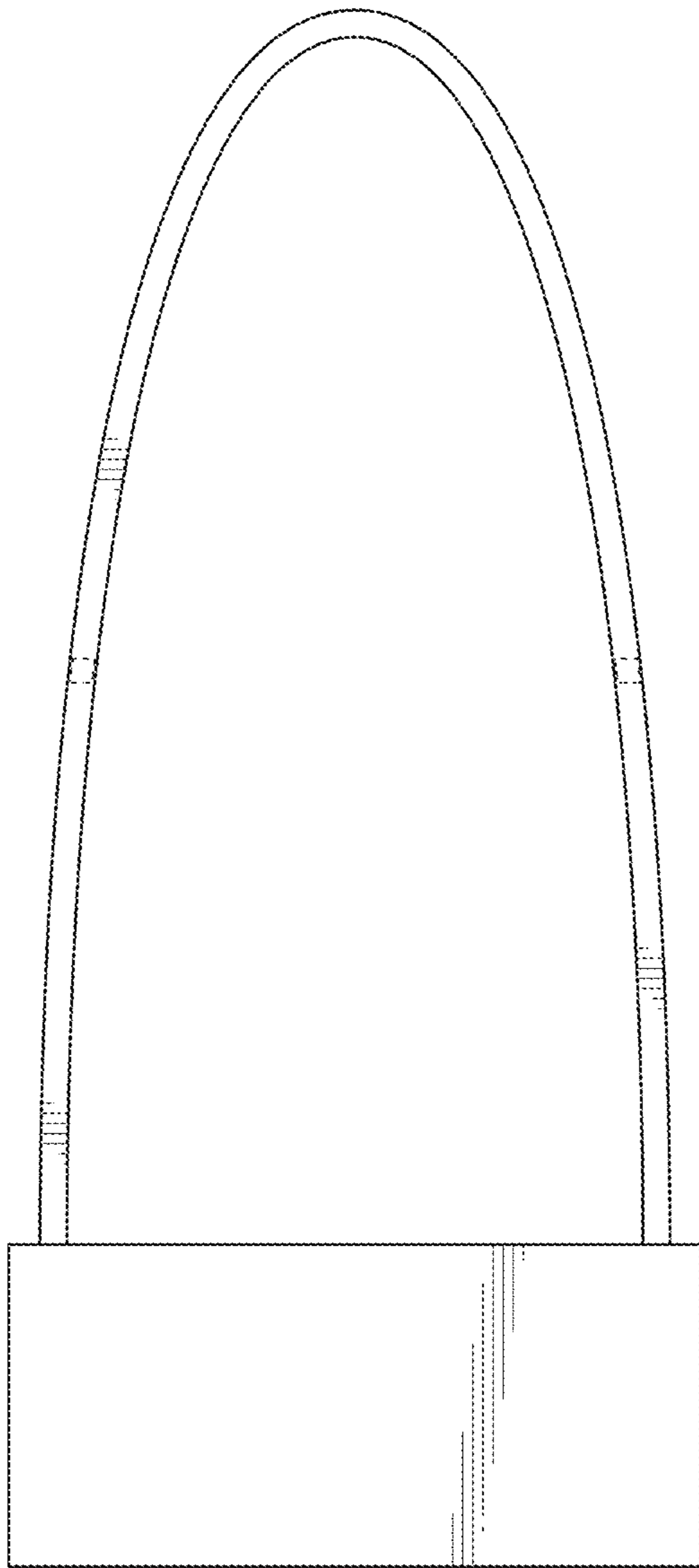


Fig. 2

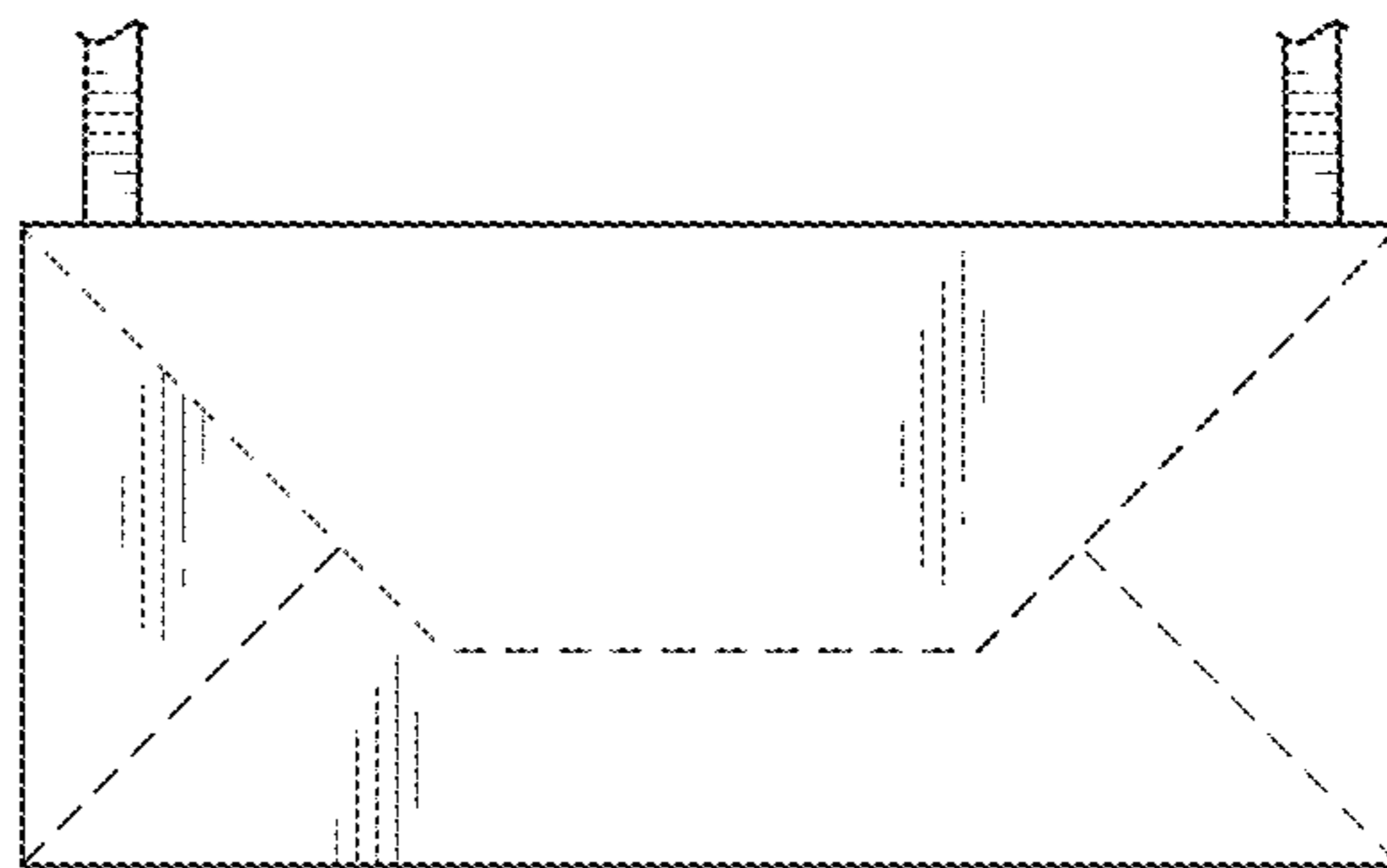


Fig. 3



Fig. 4



Fig. 5

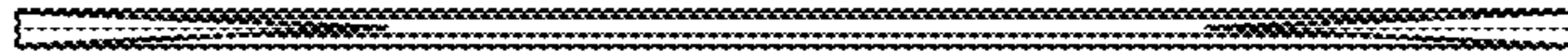


Fig. 6

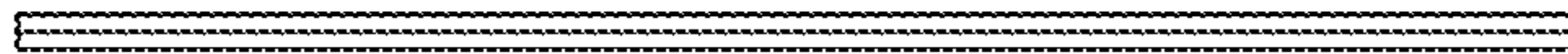


Fig. 7

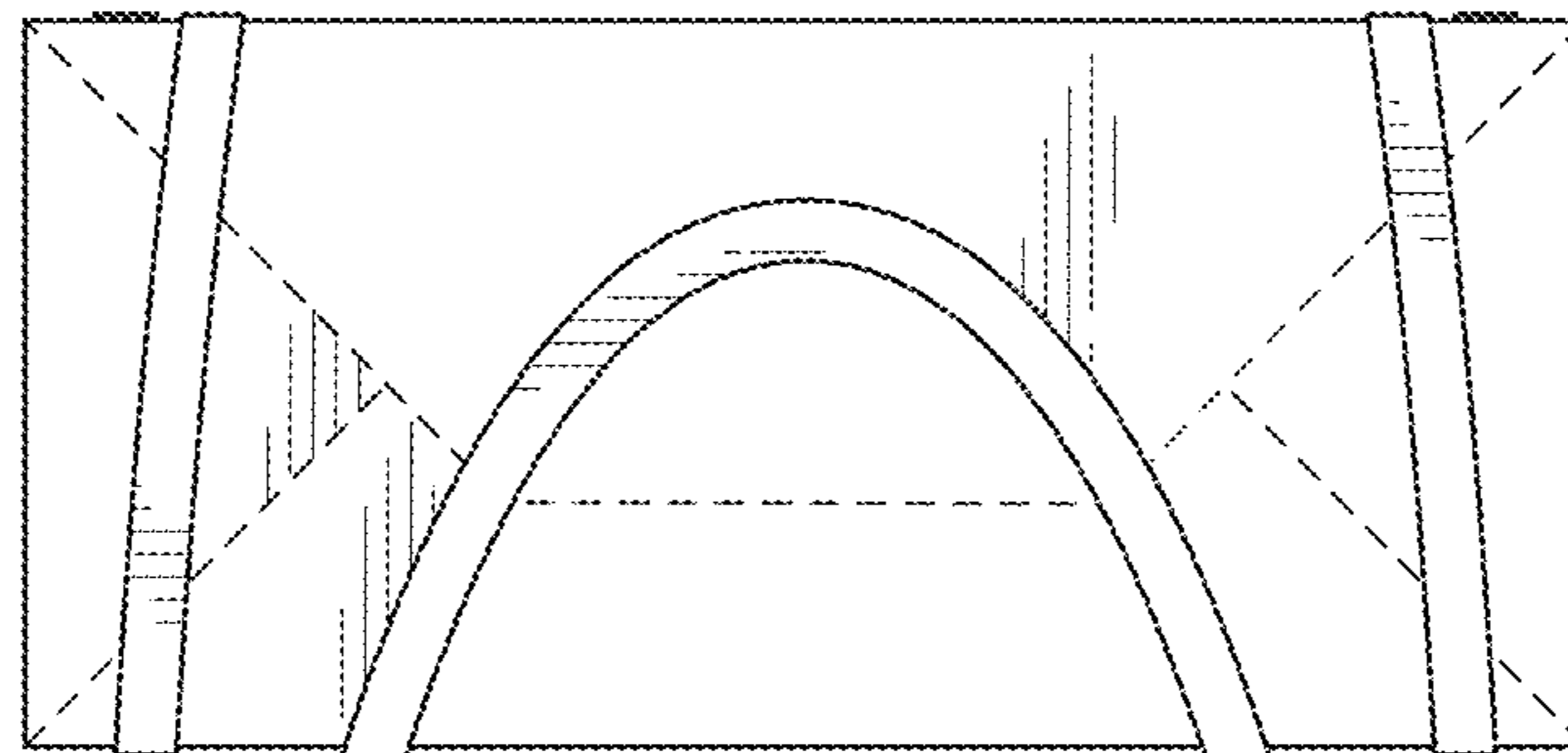


Fig. 8

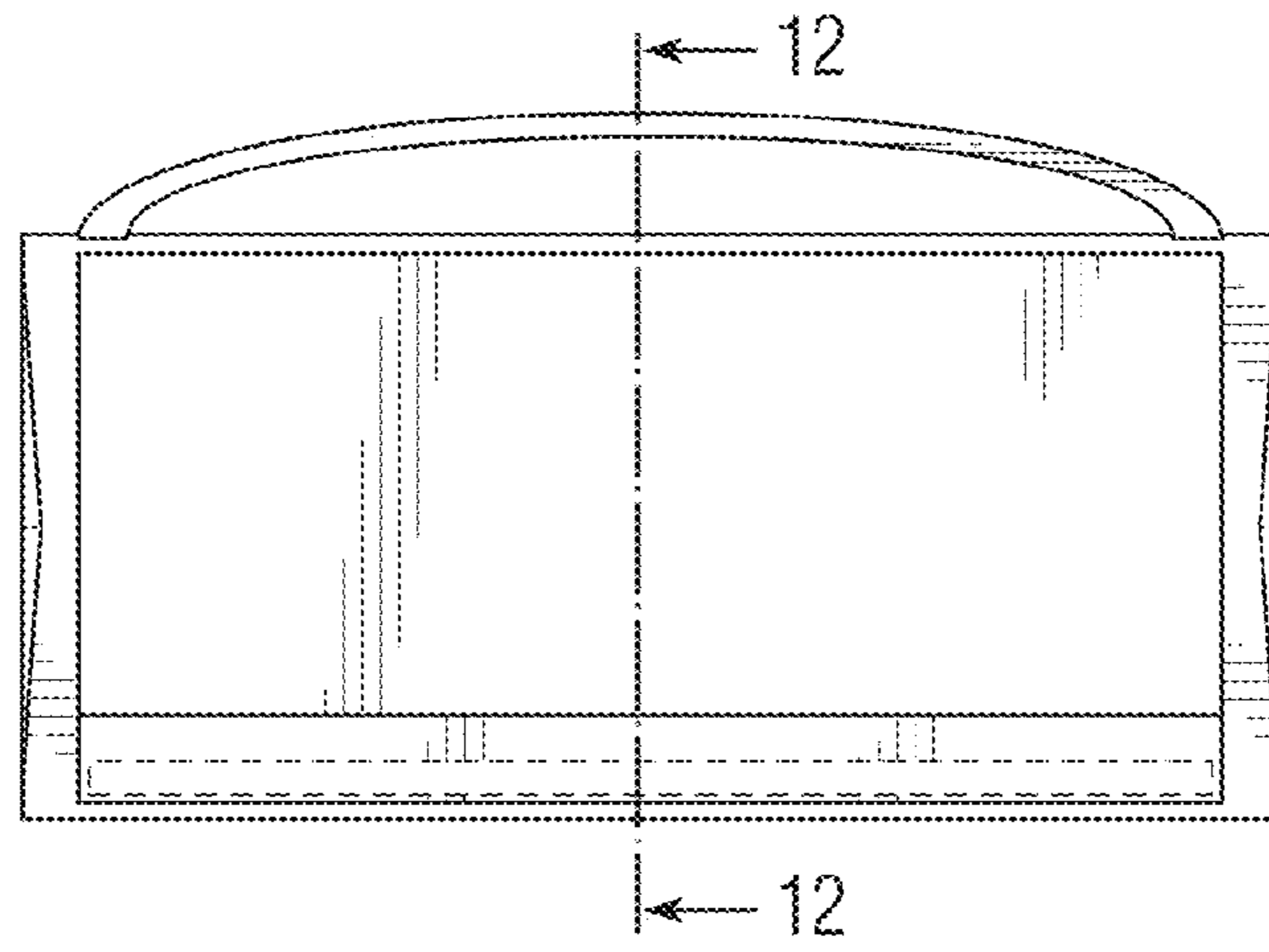


Fig. 9

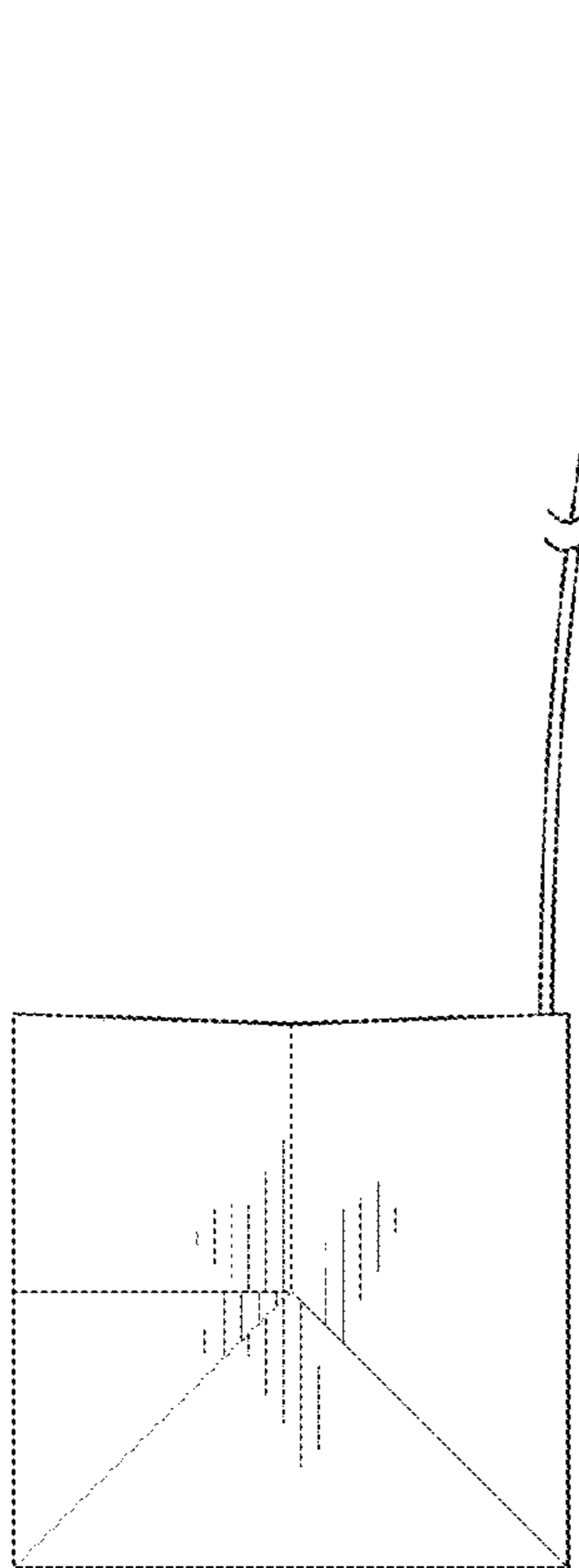


Fig. 10

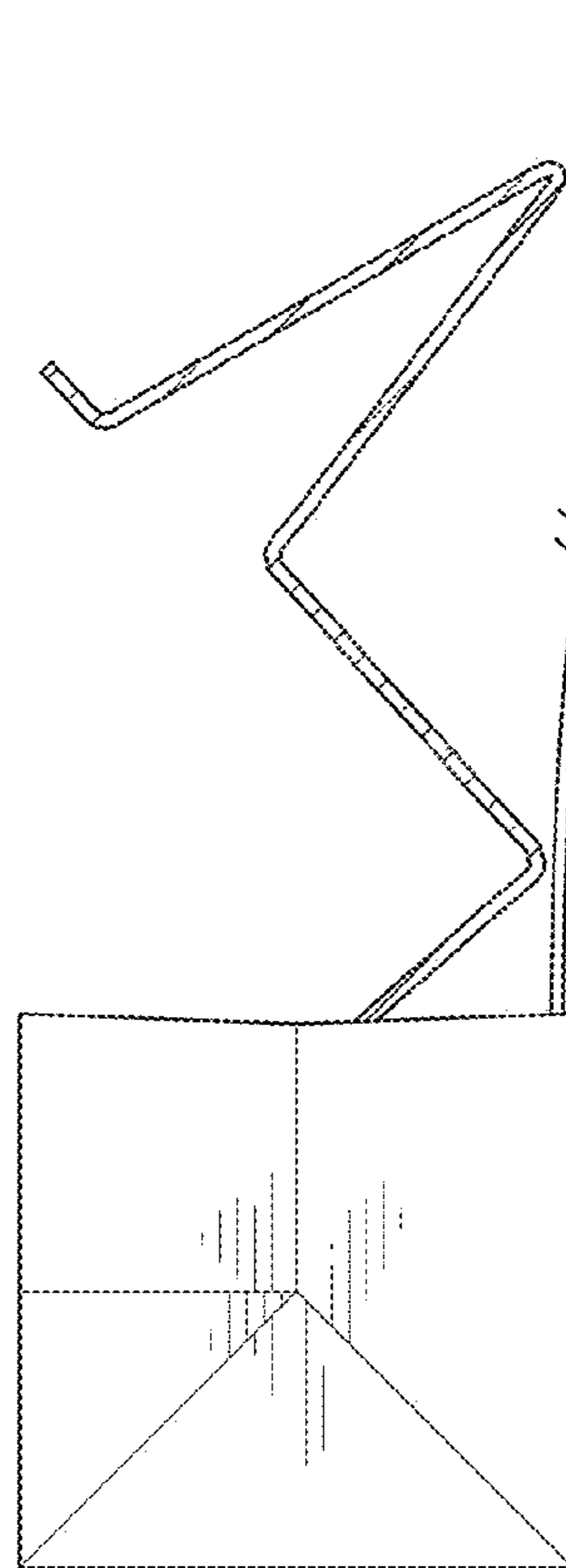


Fig. 11

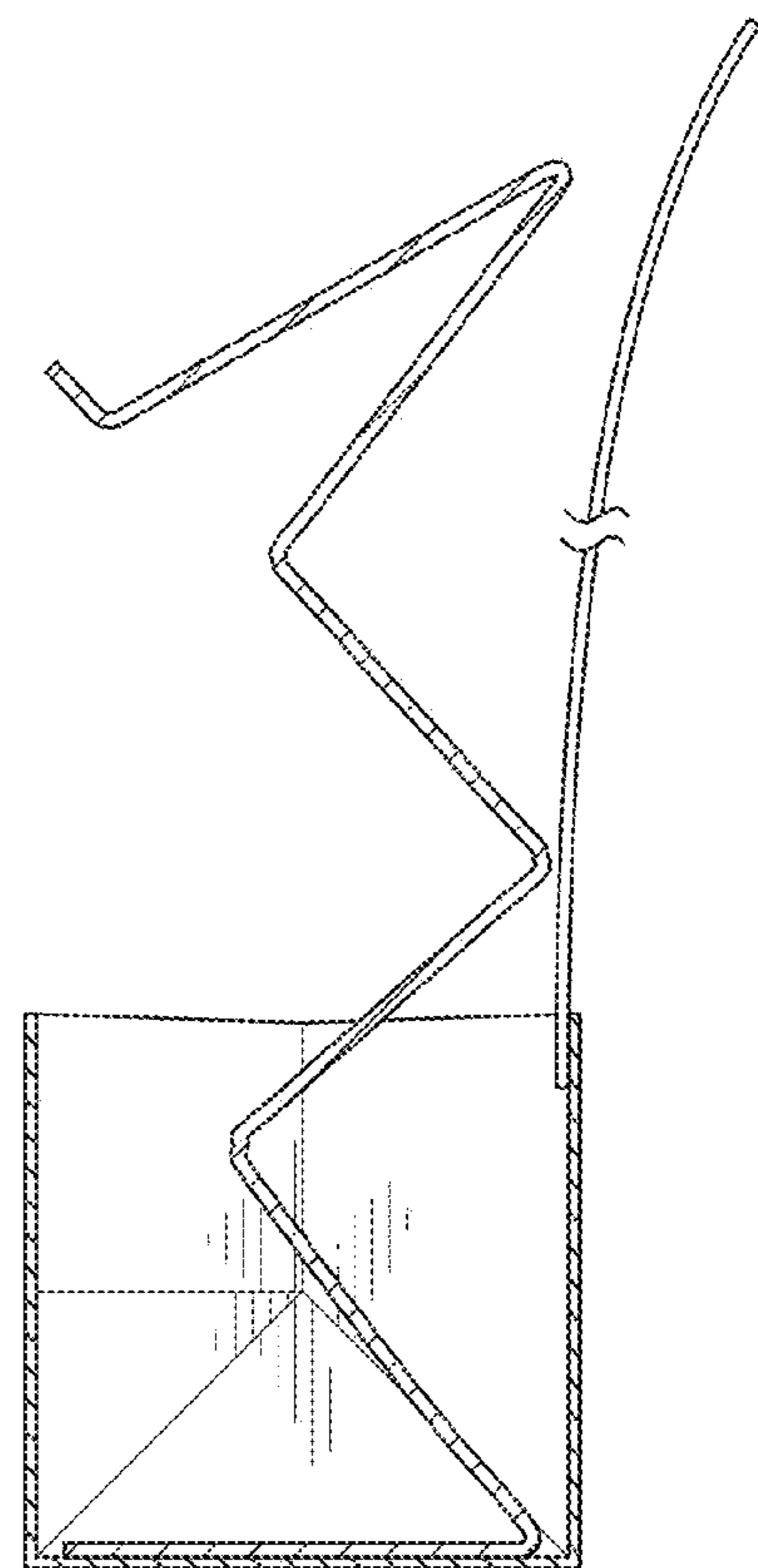


Fig. 12

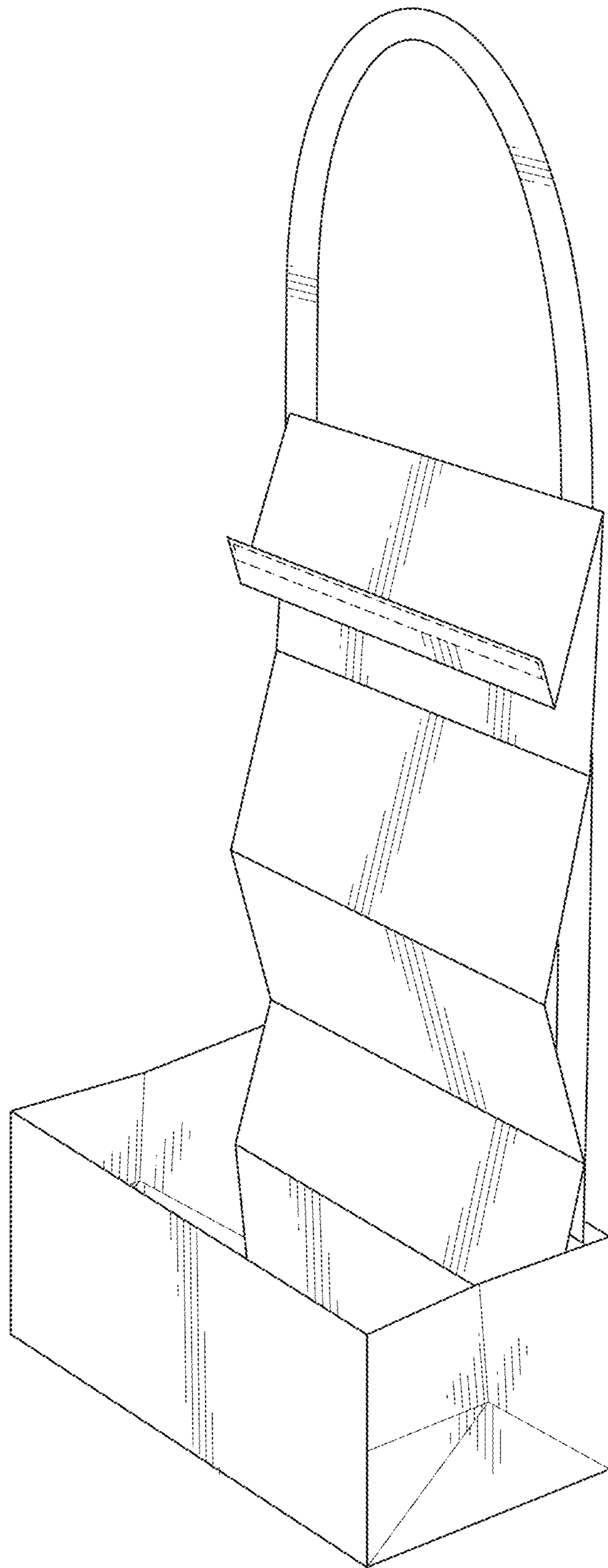


Fig. 13