



US00D950890S

(12) **United States Design Patent** (10) **Patent No.:** **US D950,890 S**
Hasson (45) **Date of Patent:** **** *May 10, 2022**

(54) **SCRUB PANTS**
(71) Applicant: **FIGS, INC.**, Santa Monica, CA (US)
(72) Inventor: **Heather Leigh Hasson**, Santa Monica, CA (US)
(73) Assignee: **FIGS, INC.**, Santa Monica, CA (US)
(*) Notice: This patent is subject to a terminal disclaimer.
(**) Term: **15 Years**
(21) Appl. No.: **29/704,066**
(22) Filed: **Aug. 30, 2019**
(51) **LOC (13) Cl.** **02-02**
(52) **U.S. Cl.**
USPC **D2/739**
(58) **Field of Classification Search**
USPC D2/700, 713, 715-718, 720, 728, 731,
D2/738, 739, 742, 743, 780, 781, 839,
D2/840, 853, 857, 862
CPC A41D 13/1236; A41D 13/1245; A41D
2400/44; A41D 2400/70; A41D 13/1209;
A41D 1/06; A41D 1/08; A41D 1/086;
A41D 13/0543; A63B 71/1225; Y10S
2/919; Y10S 2/911
See application file for complete search history.

(56) **References Cited**
U.S. PATENT DOCUMENTS
D750,345 S * 3/2016 Earley A41D 13/1209
D2/739
D765,345 S * 9/2016 Weiss A41D 13/12
D2/739
D793,664 S * 8/2017 Emanuel A41D 31/30
D2/742

2012/0311759 A1* 12/2012 Moore A41D 13/1209
2/69
2015/0113700 A1* 4/2015 Carrier A41D 13/12
2/93
2015/0196066 A1* 7/2015 Emanuel A41D 31/30
424/409

OTHER PUBLICATIONS

FIGS Scrub Pants, announced 2014 [online], [site visited Sep. 24, 2020]. Available from internet, URL: <<https://www.facebook.com/wearFIGS/photos/a.439364299419037/732886103400187/?type=3&theater>> (Year: 2014).*
FIGS Kade Pants, announced 2015 [online], [site visited Sep. 24, 2020]. Available from internet, URL: <<https://www.facebook.com/wearFIGS/photos/a.439364299419037/990609824294479/?type=3&theater>> (Year: 2015).*

(Continued)

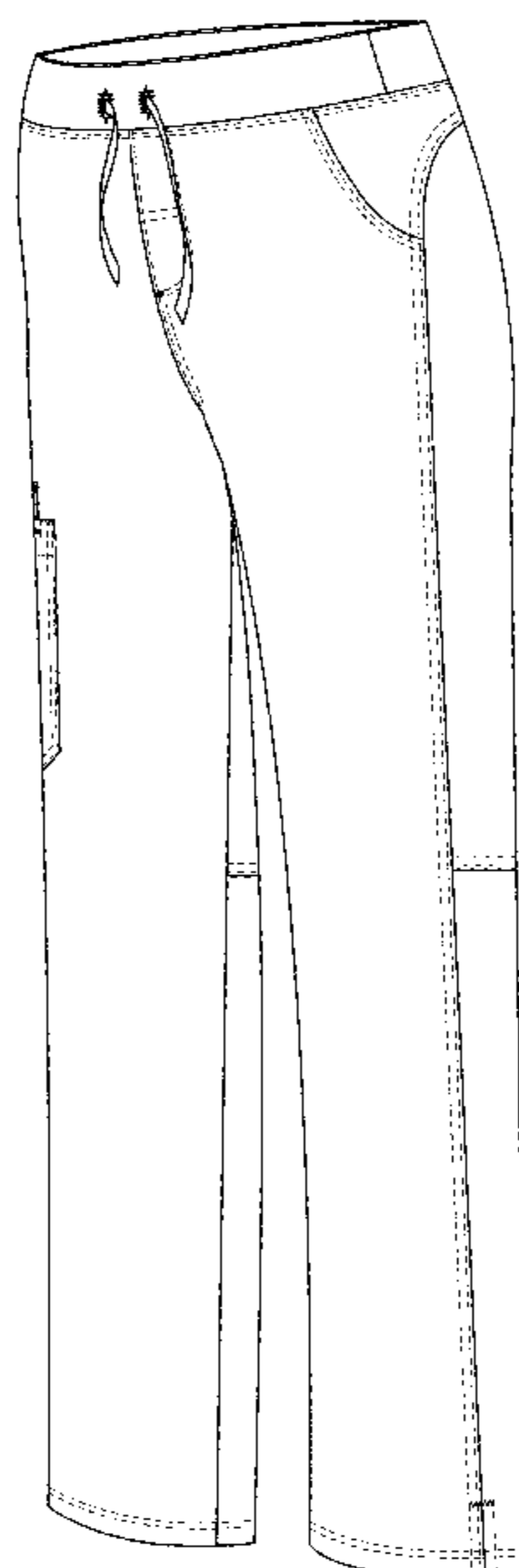
Primary Examiner — Kevin K Rudzinski
Assistant Examiner — Amber J Rabie
(74) *Attorney, Agent, or Firm* — Sterne, Kessler, Goldstein & Fox P.L.L.C.

(57) **CLAIM**
The ornamental design for scrub pants, as shown and described.

DESCRIPTION

FIG. 1 is a front view of scrub pants showing the claimed design;
FIG. 2 is a rear view thereof;
FIG. 3 is a left side view thereof;
FIG. 4 is a right side view thereof; and,
FIG. 5 is a front perspective view thereof.
The dot-dash broken lines in the figures and the areas within the dot-dash broken lines show portions of the scrub pants that form no part of the claimed design.
The dashed broken lines show a stitching pattern. The dashed broken lines form part of the claimed design.

1 Claim, 5 Drawing Sheets



(56)

References Cited

OTHER PUBLICATIONS

FIGS; “Clear your mind with a change of scenery #doctor #outdoors #casmatop #graphite #scrubs”; <https://www.facebook.com/wearFIGS/photos/a.439364299419037/990609824294479/?type=3%26theater>; 1 page; last accessed Jul. 21, 2021.

Jenny W.; “Review: FIGS Scrubs”; Aug. 22, 2017; <https://thevibrantmed.com/2017/08/22/review-figs-scrubs/>; 10 pages; last accessed Jul. 21, 2021.

EmpowerRN; “FIGS Scrub Review + GIVEAWAY!”; <https://youtu.be/88o6a0B0yDw?t=251>; 1 page; last accessed Jul. 21, 2021.

Meghaninmedicine; “WearFIGS Scrubs”; <https://meghaninmedicine.wordpress.com/2017/05/27/wearfigs-scrubs/>; 6 pages; last accessed Jul. 21, 2021.

* cited by examiner

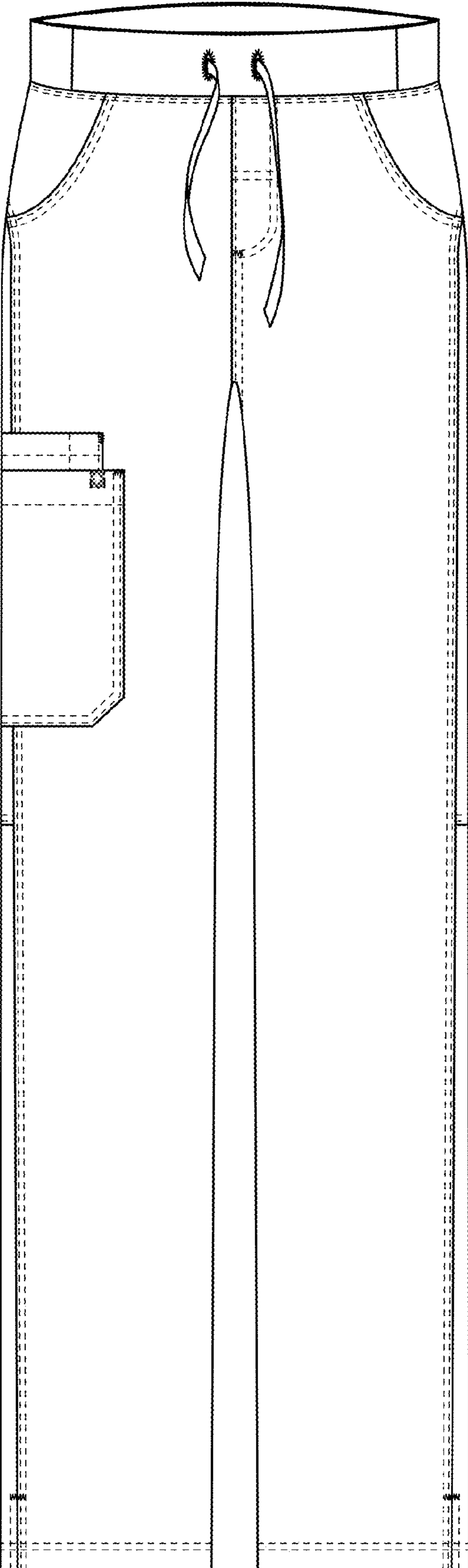


FIG. 1

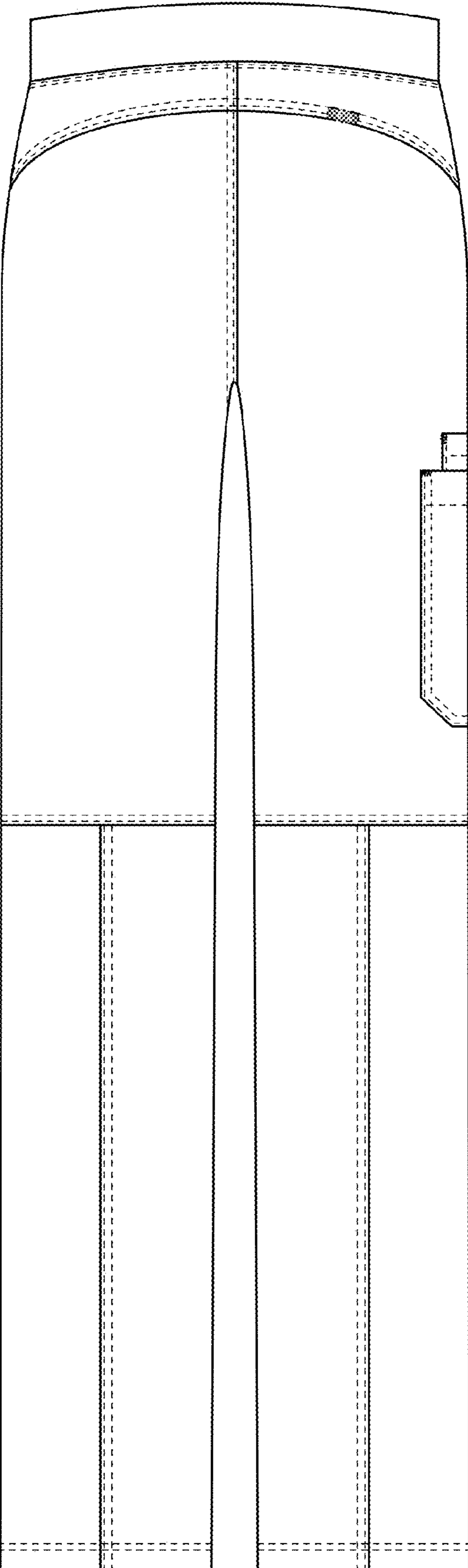


FIG. 2

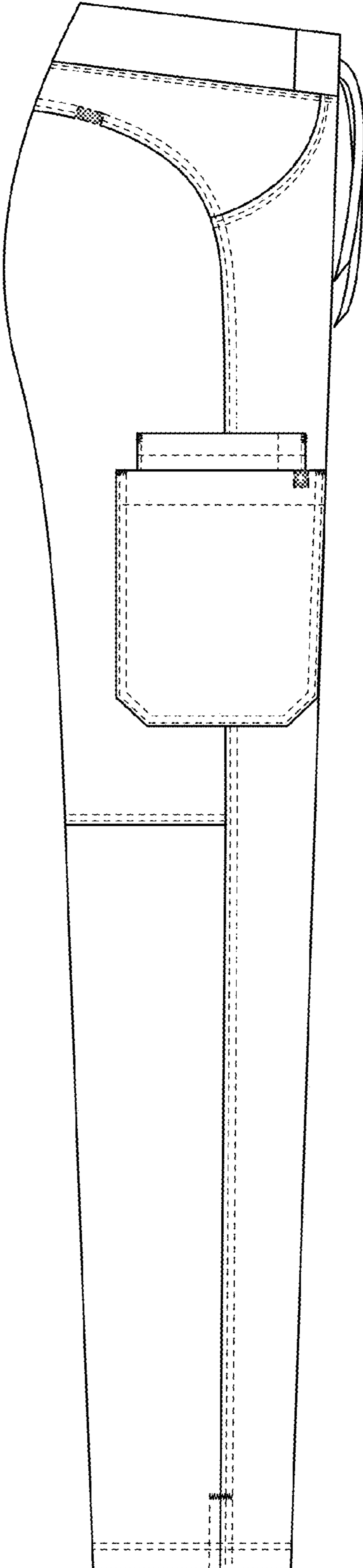


FIG. 3

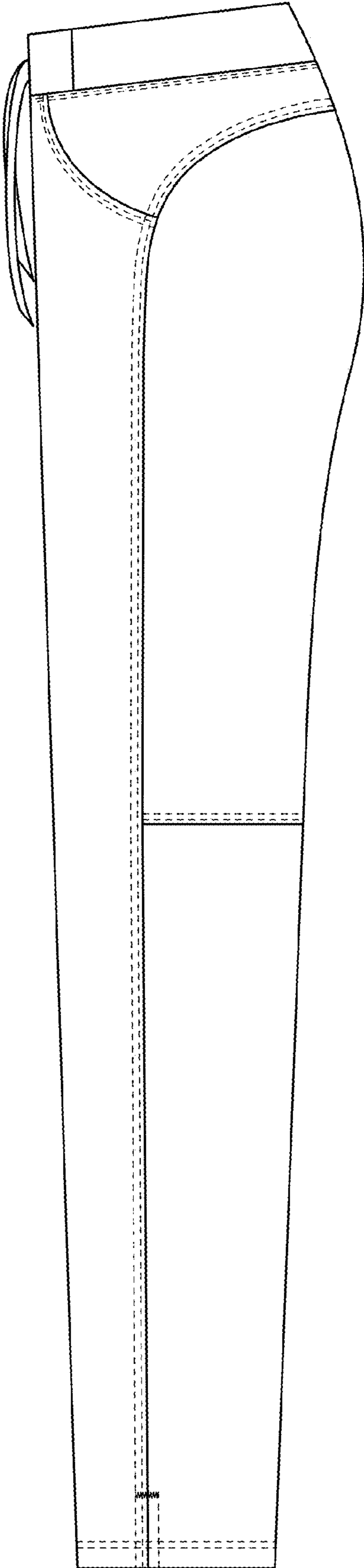


FIG. 4

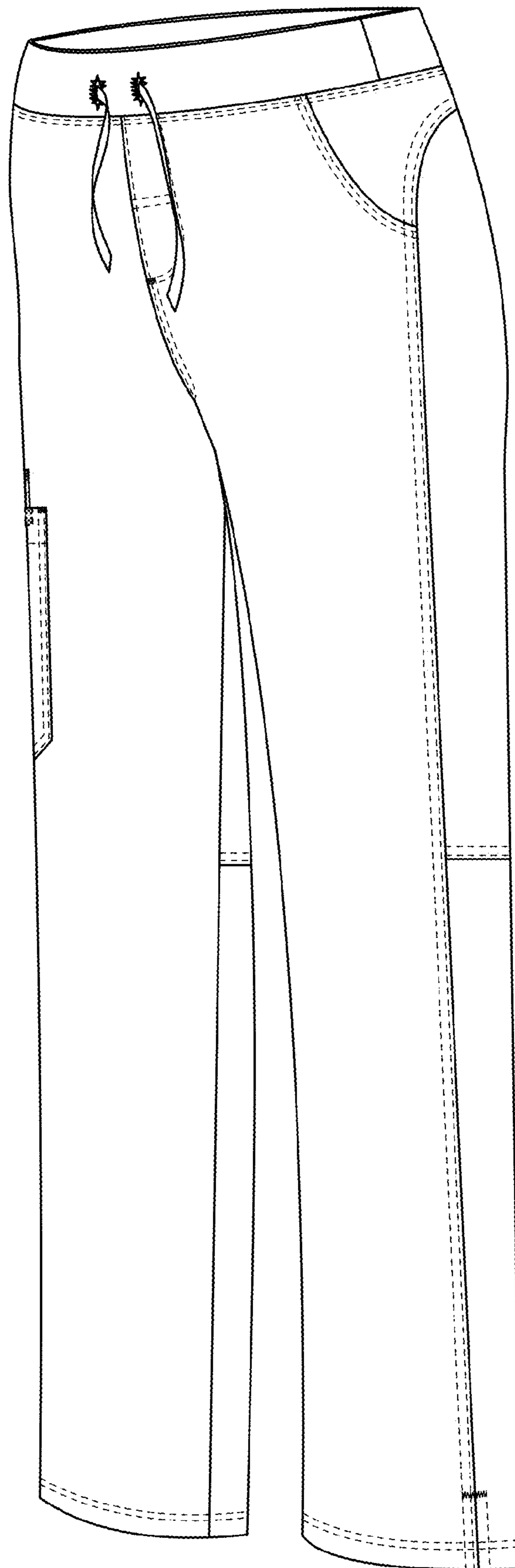


FIG. 5