



US00D950888S

(12) **United States Design Patent**
Henschel

(10) **Patent No.:** **US D950,888 S**

(45) **Date of Patent:** **** May 10, 2022**

(54) **BRA PAD**

(71) Applicant: **Starry Night Haus, LLC**, Albany, NY (US)

(72) Inventor: **Jocelyn Henschel**, New York, NY (US)

(**) Term: **15 Years**

(21) Appl. No.: **29/707,244**

(22) Filed: **Sep. 26, 2019**

(51) **LOC (13) Cl.** **02-01**

(52) **U.S. Cl.**
USPC **D2/706**

(58) **Field of Classification Search**
USPC D2/703, 705-708, 706
CPC A41C 3/00; A41C 3/12; A41C 3/144
See application file for complete search history.

(56) **References Cited**

U.S. PATENT DOCUMENTS

D661,051 S * 6/2012 Brooks D2/706
D842,584 S * 3/2019 Soohoo D2/708

* cited by examiner

Primary Examiner — Kevin K Rudzinski

Assistant Examiner — J. Thorn, Sr.

(74) *Attorney, Agent, or Firm* — Tommy S F Wang;
Wang IP Law Group, P.C.

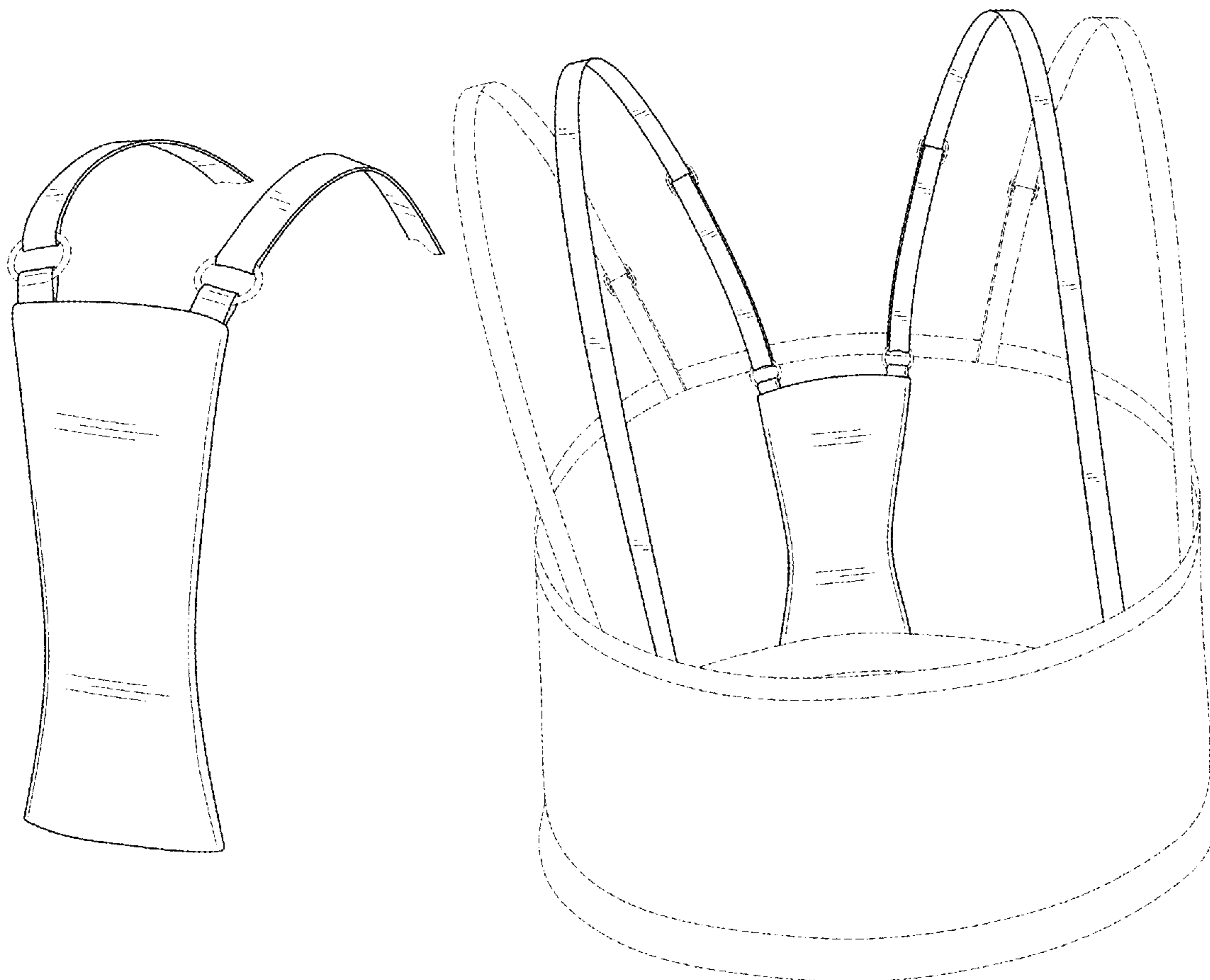
(57) **CLAIM**

The ornamental design for a bra pad, as shown and described.

DESCRIPTION

FIG. 1 is a perspective view of a bra pad showing my new design;
FIG. 2 is a front view thereof;
FIG. 3 is a rear view thereof;
FIG. 4 is a left side view thereof;
FIG. 5 is a right side view thereof;
FIG. 6 is a top view thereof;
FIG. 7 is a bottom view thereof;
FIG. 8 is a rear perspective view thereof;
FIG. 9 is a bottom perspective view thereof; and,
FIG. 10 is a top perspective view thereof.
The broken line portions of the bra pad in FIGS. 1-10 represent unclaimed portions of the claimed design and form no part thereof. The broken lines of the bra in FIGS. 8-10 illustrate unclaimed environment and forms no part of the claimed design. The straps in FIGS. 1-7 are shown cutoff for ease of illustration.

1 Claim, 9 Drawing Sheets



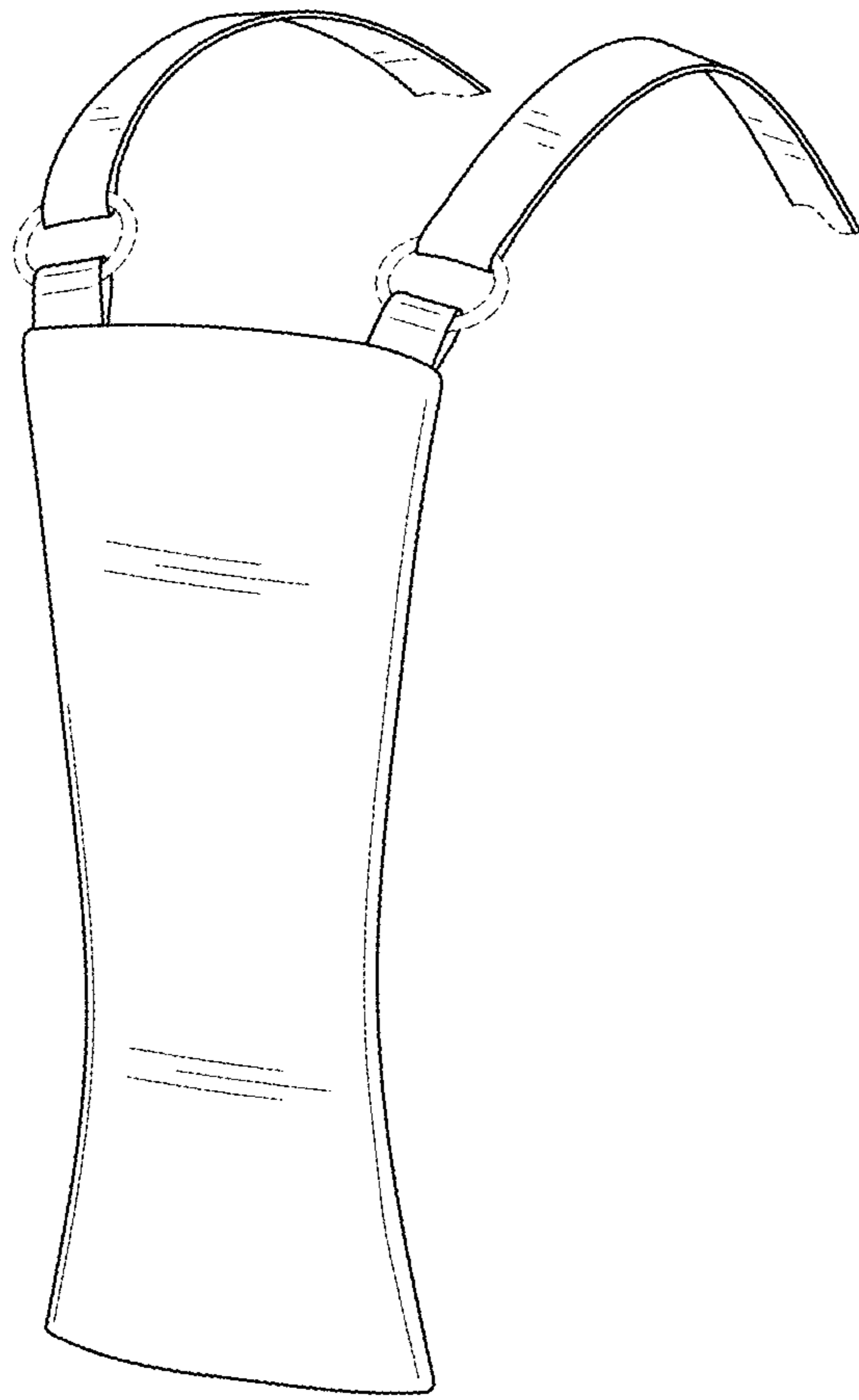


FIG. 1

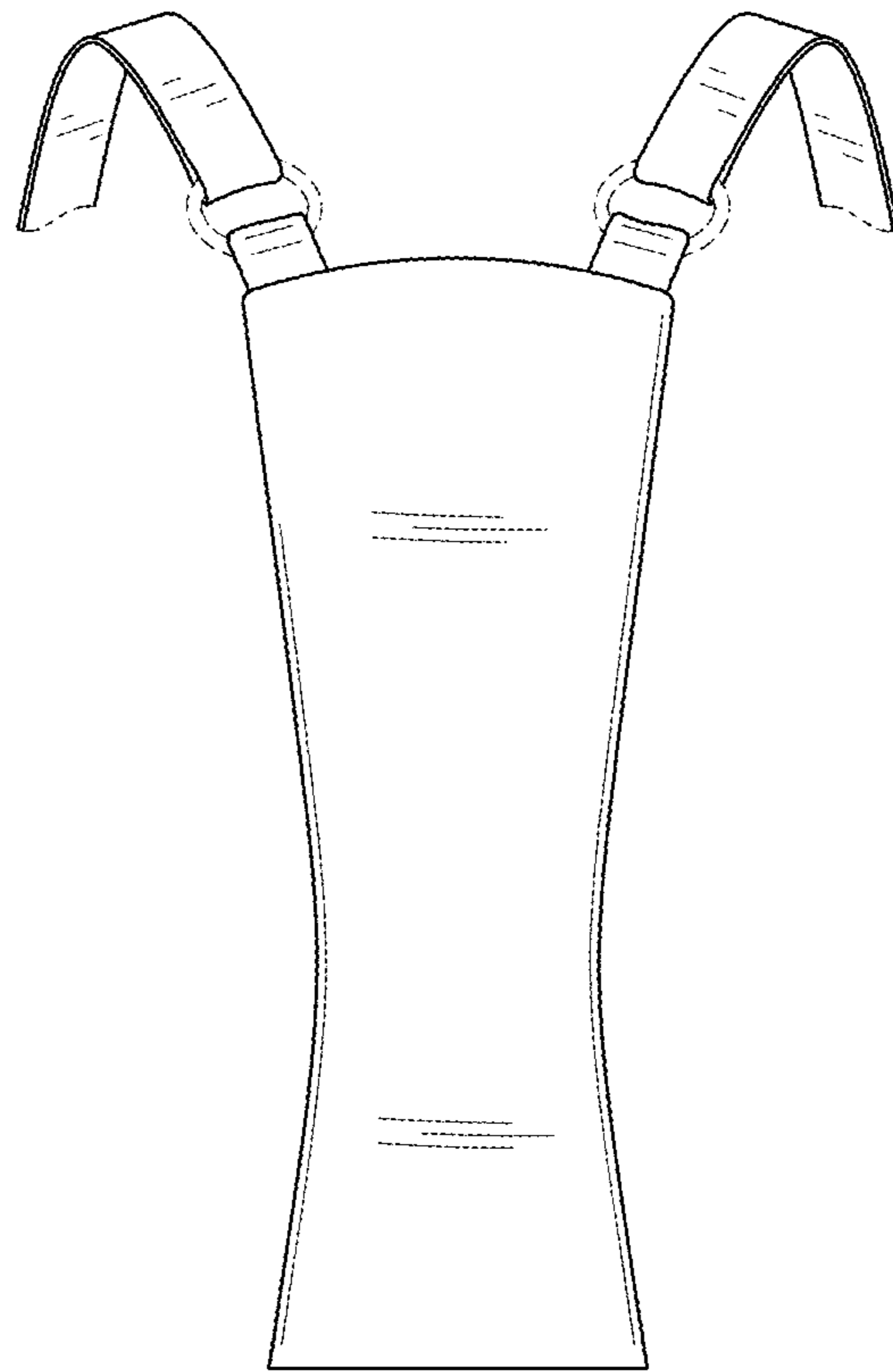


FIG. 2

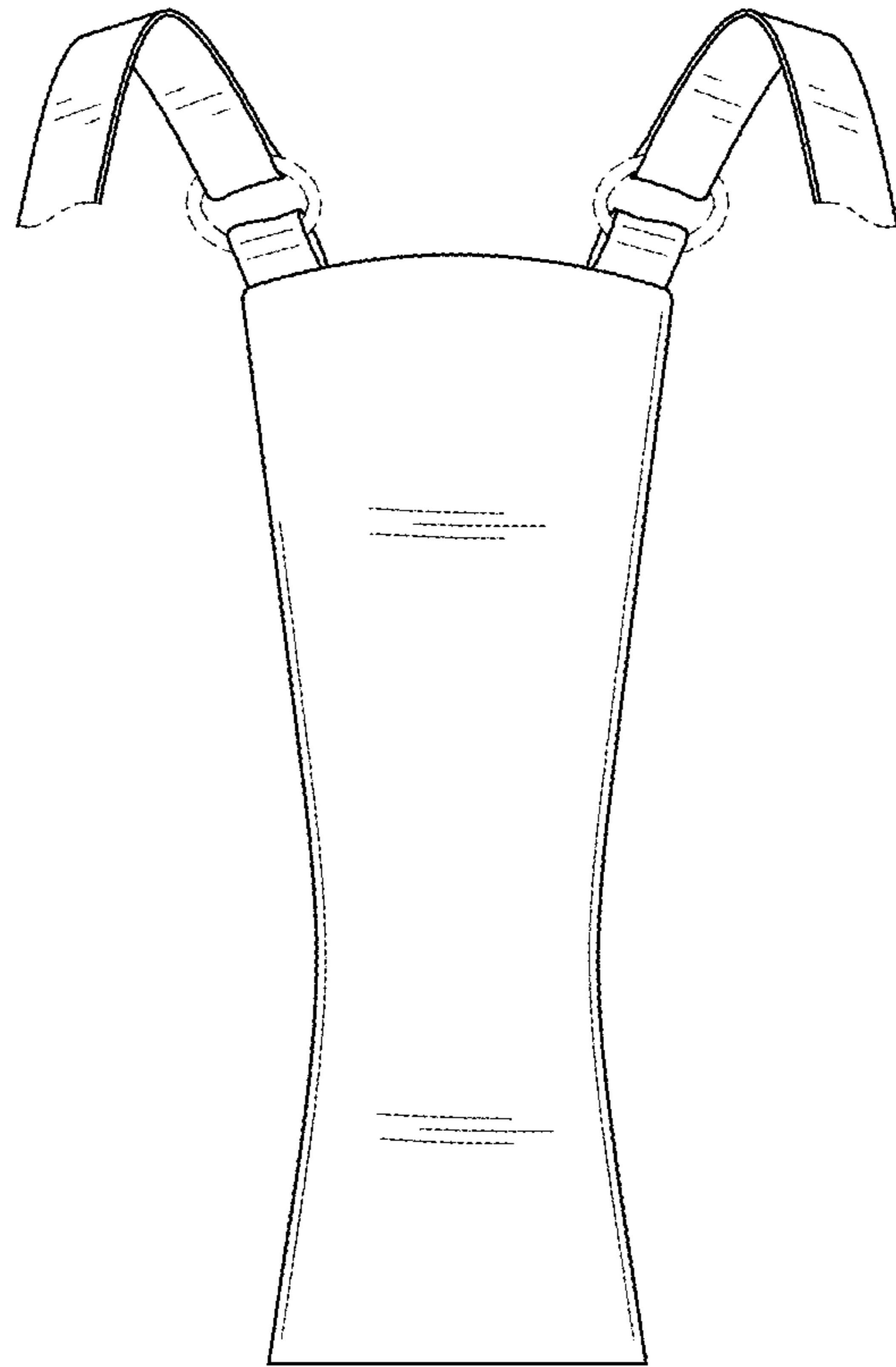


FIG. 3



FIG. 4



FIG. 5

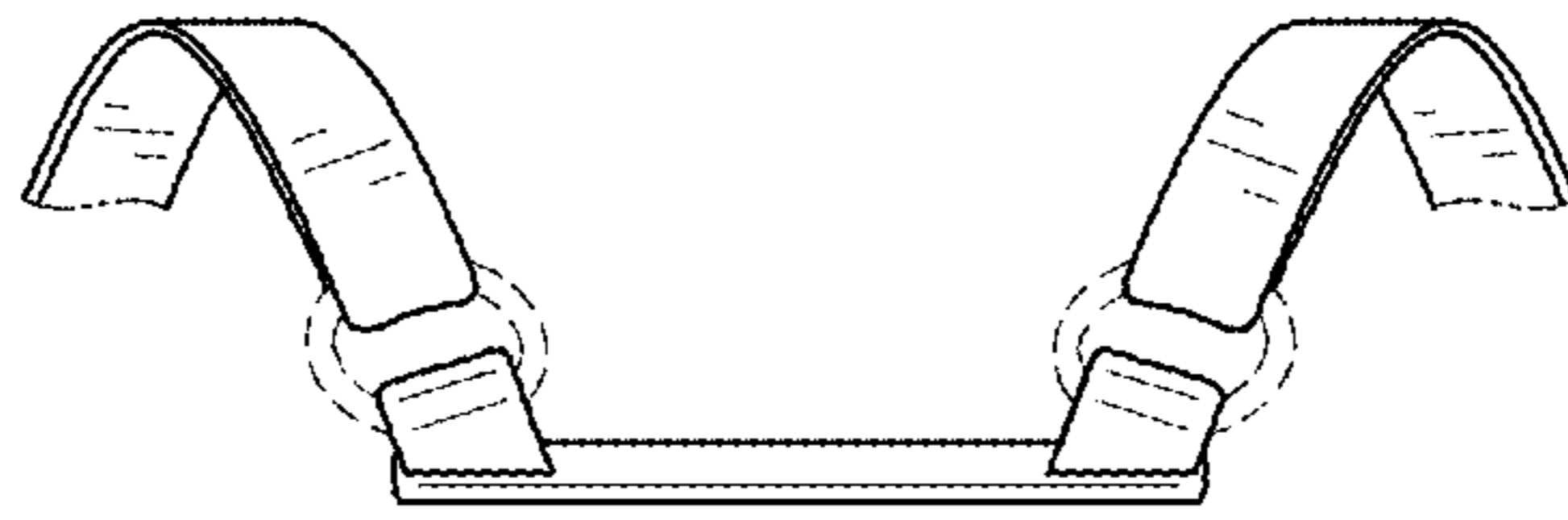


FIG. 6

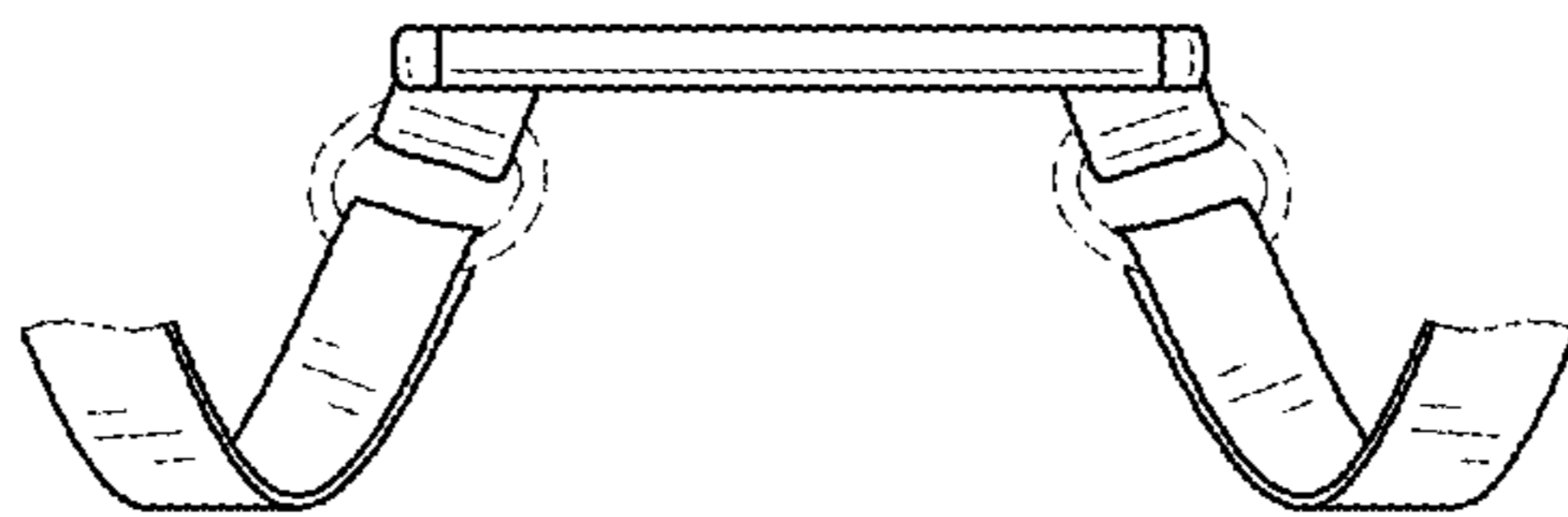


FIG. 7

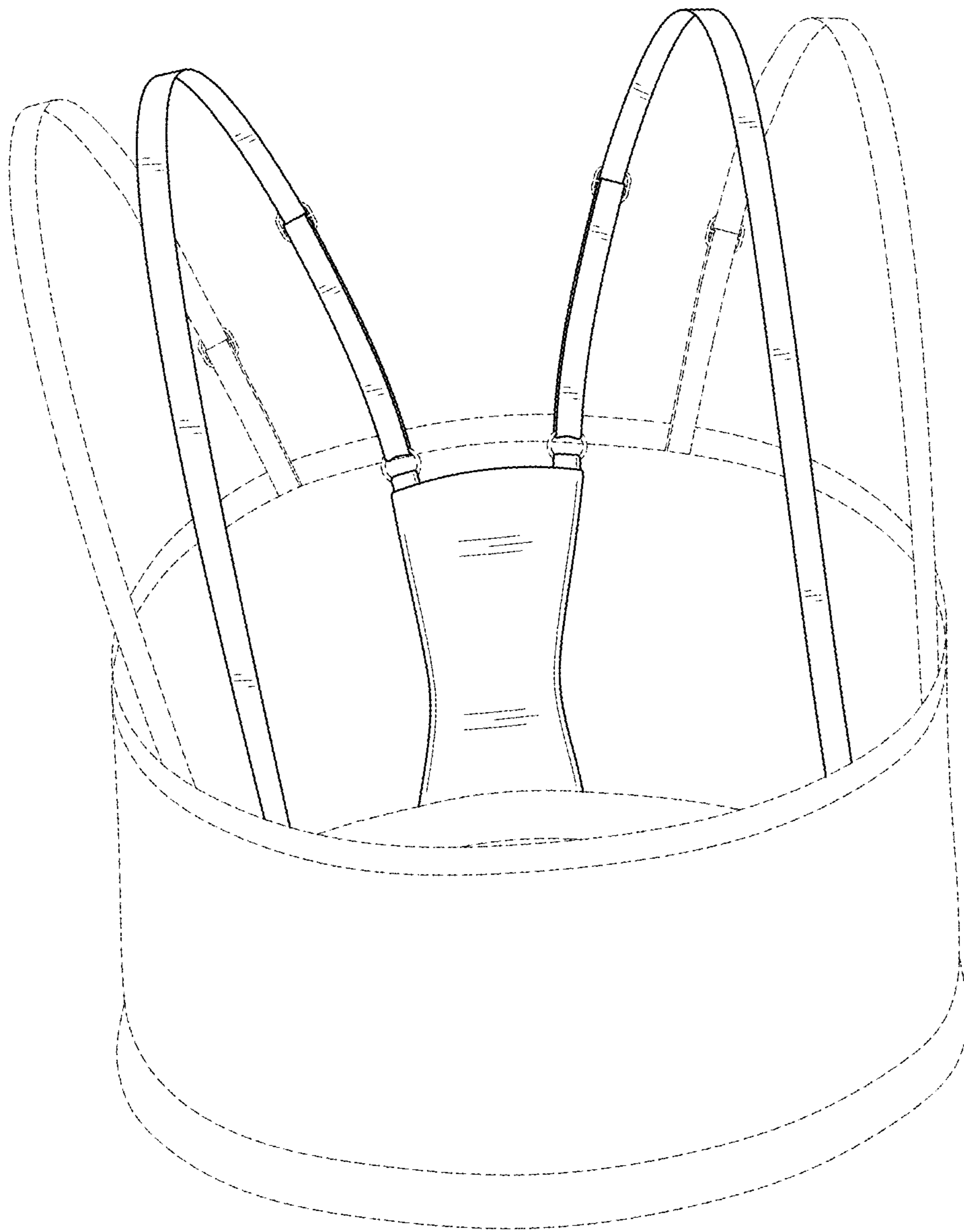


FIG. 8

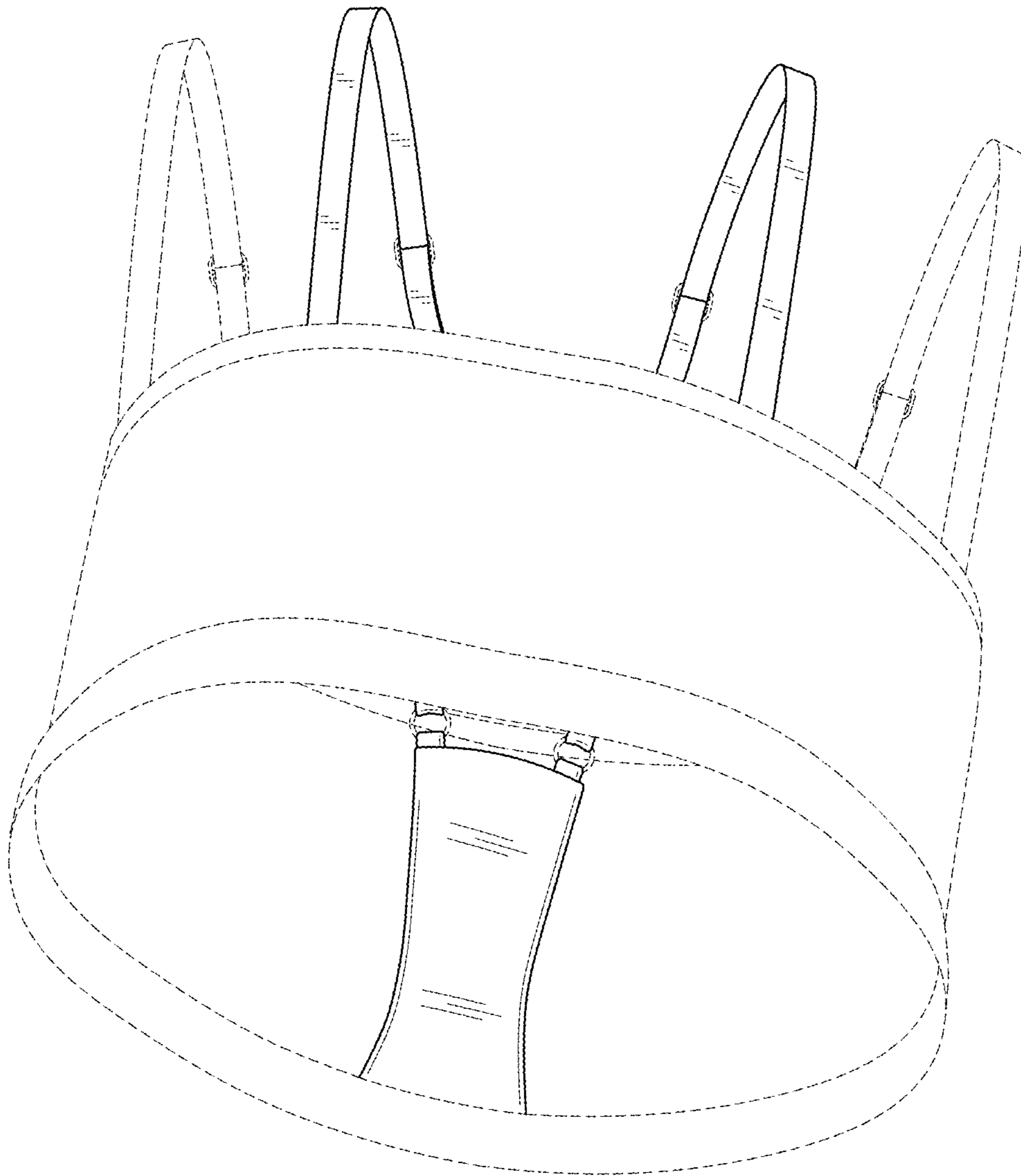


FIG. 9

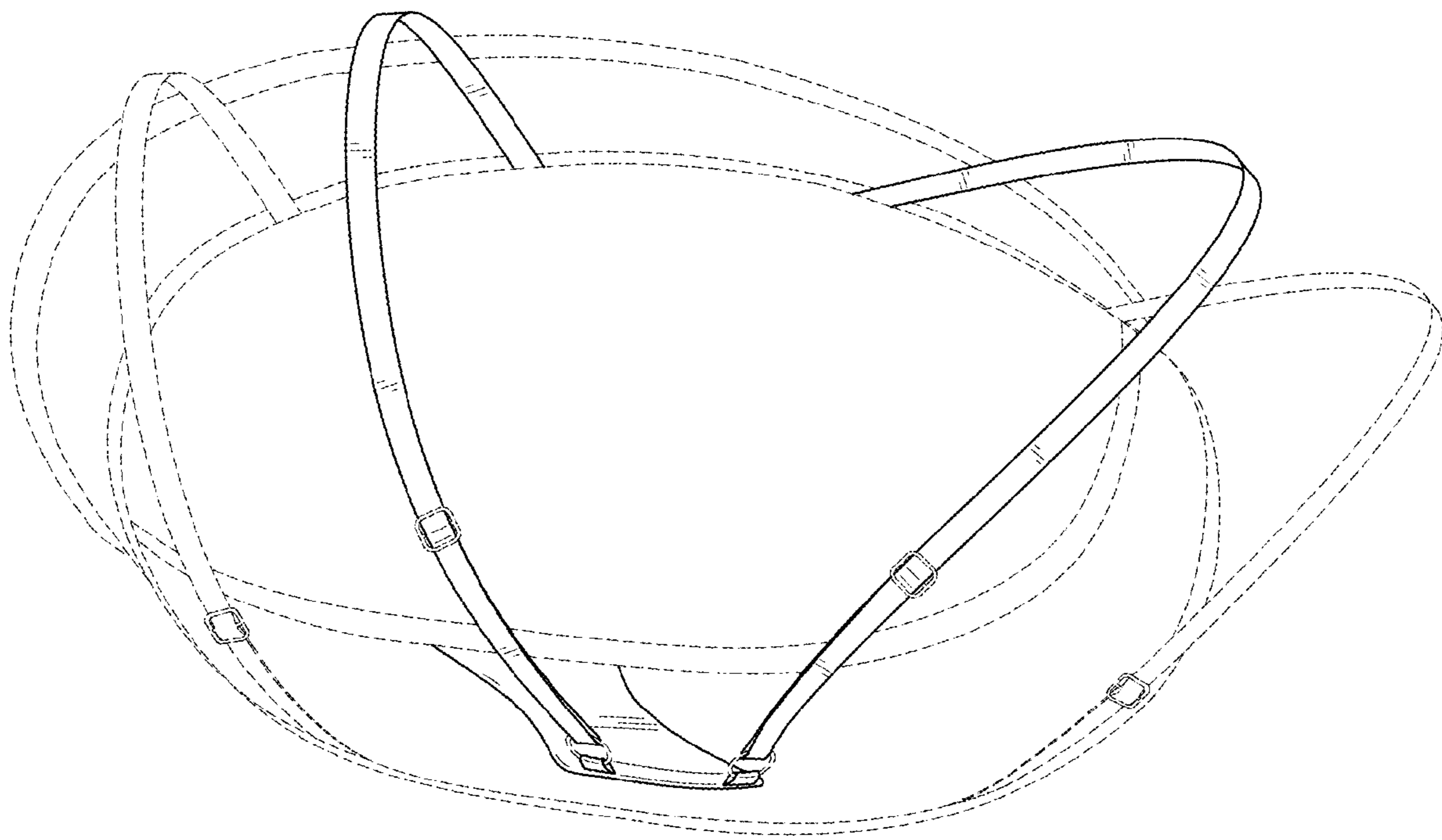


FIG. 10