



US00D950883S

(12) **United States Design Patent** (10) **Patent No.:** **US D950,883 S**
Nelson et al. (45) **Date of Patent:** **** May 3, 2022**

(54) **AUTOMATED TRANSACTION MACHINE**

G07F 19/21; G07F 19/00; G07F 7/04;
G07F 5/00; G07F

(71) Applicant: **Wincor Nixdorf International GmbH**,
Paderborn (DE)

(Continued)

(72) Inventors: **Donald Nelson**, Akron, OH (US);
Sergio de Oliveira, Massillon, OH
(US); **Frank Bleck**, Paderborn (DE);
Gregor Pollmann, Paderborn (DE)

(56)

References Cited

U.S. PATENT DOCUMENTS

D388,229 S * 12/1997 Couch D18/4.6
D419,277 S 1/2000 Ishii et al.
D456,587 S * 4/2002 Kit D99/28
(Continued)

(73) Assignee: **Wincor Nixdorf international GmbH**,
Paderborn (DE)

OTHER PUBLICATIONS

ATM machine—front view, <https://www.dreamstime.com/royalty-free-stock-photos-atm-machine-front-view-image18509068>, 2021.
(Year: 2021).*

(**) Term: **15 Years**

(Continued)

(21) Appl. No.: **29/721,662**

(22) Filed: **Jan. 22, 2020**

Primary Examiner — Elizabeth J Oswecki

(51) **LOC (13) Cl.** **99-00**

(74) *Attorney, Agent, or Firm* — Black, McCuskey,
Souers & Arbaugh LPA

(52) **U.S. Cl.**
USPC **D99/28**

(57)

CLAIM

(58) **Field of Classification Search**
USPC D99/28, 34, 35, 36, 43, 99;
D14/300–302, 305, 307, 900–902;
D18/3.1–3.3, 4.1–4.6, 12.1–12.3;
D21/324, 325, 329, 369, 370; 101/66;
109/1 R, 1 V, 2, 23, 24.1, 25, 58, 58.5,
109/66; 446/8–13; 705/16, 17, 18, 42,
705/43, 44, 45; 235/51, 379, 380, 381,
235/382, 382.5, 386; 206/0.8, 0.81,
206/0.815, 0.82, 0.84

The ornamental design for an automated transaction machine, as shown and described.

DESCRIPTION

CPC .. G06Q 20/10; G06Q 20/108; G06Q 20/1085;
G06Q 20/18; G07D 1/00; G07D 1/02;
G07D 1/04; G07D 1/06; G07D 11/00;
G07D 9/002; G07D 9/04; G07F 19/20;
G07F 19/201; G07F 19/202; G07F
19/203; G07F 19/204; G07F 19/105;

FIG. 1 is a left-front perspective view of an automated transaction machine showing our new design.
FIG. 2 is a right-front perspective view of the automated transaction machine of FIG. 1.
FIG. 3 is a front view of the automated transaction machine of FIG. 1.
FIG. 4 is a back view of the automated transaction machine of FIG. 1.
FIG. 5 is a left side view of the automated transaction machine of FIG. 1.
FIG. 6 is a right side view of the automated transaction machine of FIG. 1.
FIG. 7 is a top view of the automated transaction machine of FIG. 1; and,

(Continued)

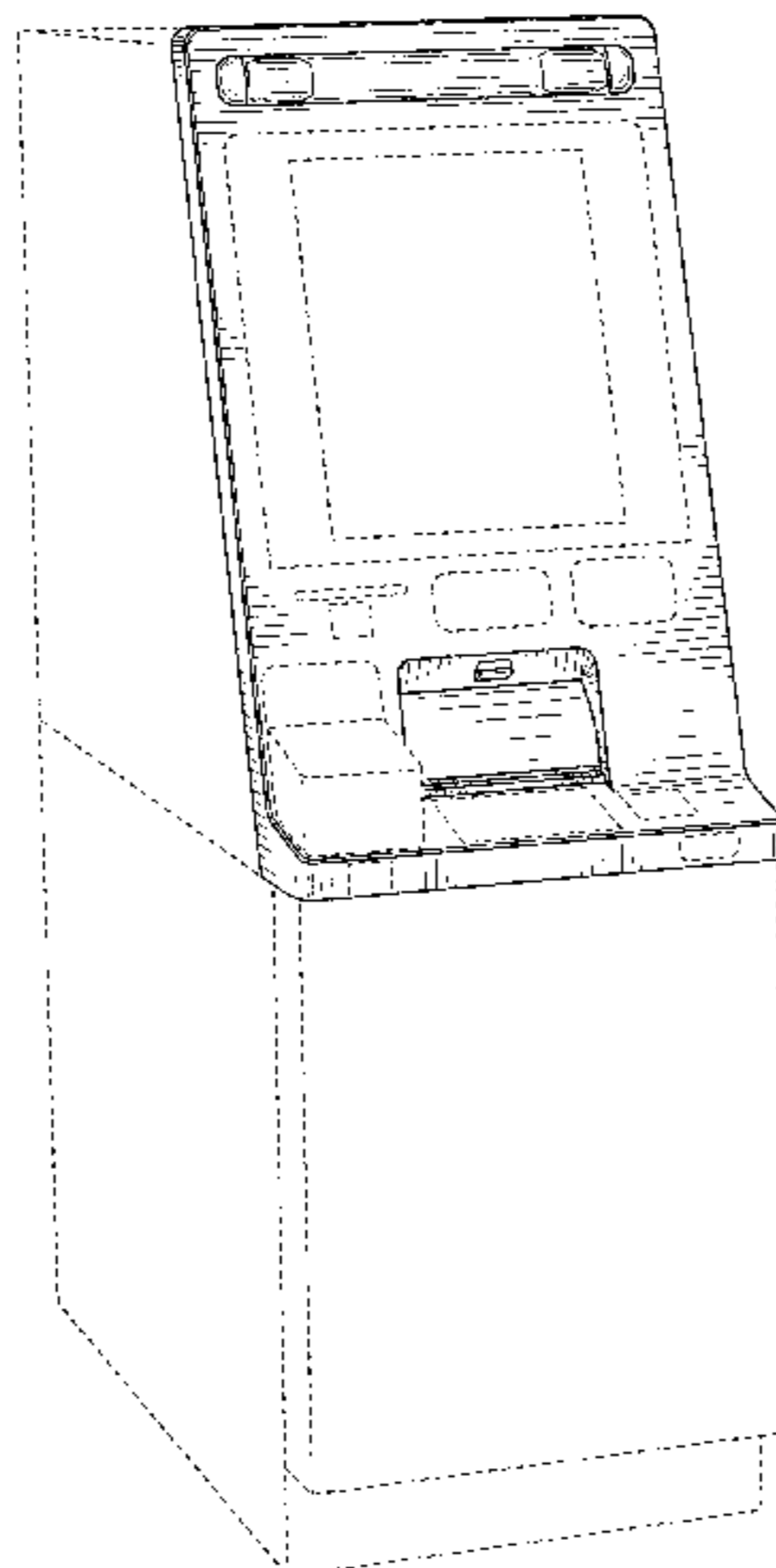


FIG. 8 is a bottom view of the automated transaction machine of FIG. 1.

The broken lines shown in the drawings represent portions of the automated transaction machine that form no part of the claimed design

1 Claim, 8 Drawing Sheets

(58) Field of Classification Search

CPC 1/00; E05G 7/001; E05G 1/006; A63H 33/00; A63H 33/005

See application file for complete search history.

(56) References Cited

U.S. PATENT DOCUMENTS

D492,080 S * 6/2004 Magee D99/28
 D492,081 S * 6/2004 Magee D99/28
 D492,082 S * 6/2004 Magee D99/28
 D500,905 S * 1/2005 Magee D99/28
 7,040,534 B2 * 5/2006 Turocy G06Q 20/1085
 235/379
 D530,880 S * 10/2006 Magee D99/28
 D538,505 S * 3/2007 Kang D99/28
 D540,004 S * 4/2007 Kang D99/28
 7,284,692 B1 * 10/2007 Douglass G06Q 20/352
 235/379
 7,419,091 B1 * 9/2008 Scanlon G06Q 20/1085
 235/379
 7,513,420 B1 * 4/2009 Block G06Q 20/102
 235/379
 7,533,802 B1 * 5/2009 McGinley G07F 19/20
 235/376
 D596,374 S * 7/2009 Kang D99/28
 D629,585 S * 12/2010 Bleck D99/28

7,988,039 B1 * 8/2011 Muschellack G07F 19/207
 235/379
 D645,223 S * 9/2011 Bleck D99/28
 D652,601 S * 1/2012 Rohan D99/28
 D674,985 S * 1/2013 Lee D99/28
 D743,956 S * 11/2015 Kraft D14/307
 D769,569 S 10/2016 Kennedy et al.
 D769,570 S * 10/2016 Kraft D99/28
 D769,571 S 10/2016 Lee et al.
 D769,572 S 10/2016 Park et al.
 D792,049 S 7/2017 Oh et al.
 D825,133 S * 8/2018 Park D99/28
 D828,674 S * 9/2018 Cha D99/28
 D833,704 S 11/2018 Kraft et al.
 D847,452 S * 4/2019 Angelopoulos D99/28
 D880,100 S * 3/2020 Nelson D99/28
 D880,101 S * 3/2020 Nelson D99/28
 D883,605 S * 5/2020 Lee D99/28
 D888,363 S * 6/2020 Cha D99/28
 D901,825 S * 11/2020 Nelson D99/28
 D924,534 S * 7/2021 Lee D99/28
 2008/0265019 A1 * 10/2008 Artino G07F 19/202
 235/379
 2008/0296365 A1 * 12/2008 Schliebe G07F 19/2055
 235/379
 2009/0057398 A1 * 3/2009 Douglass G07F 19/00
 235/379
 2010/0161489 A1 * 6/2010 Goodall G07F 19/202
 705/45
 2010/0243729 A1 * 9/2010 Russell G07D 7/08
 235/379

OTHER PUBLICATIONS

Automatic teller machine, <https://www.dreamstime.com/royalty-free-stock-photos-automatic-teller-machine-image15446058>, 2021. (Year: 2021).*

* cited by examiner

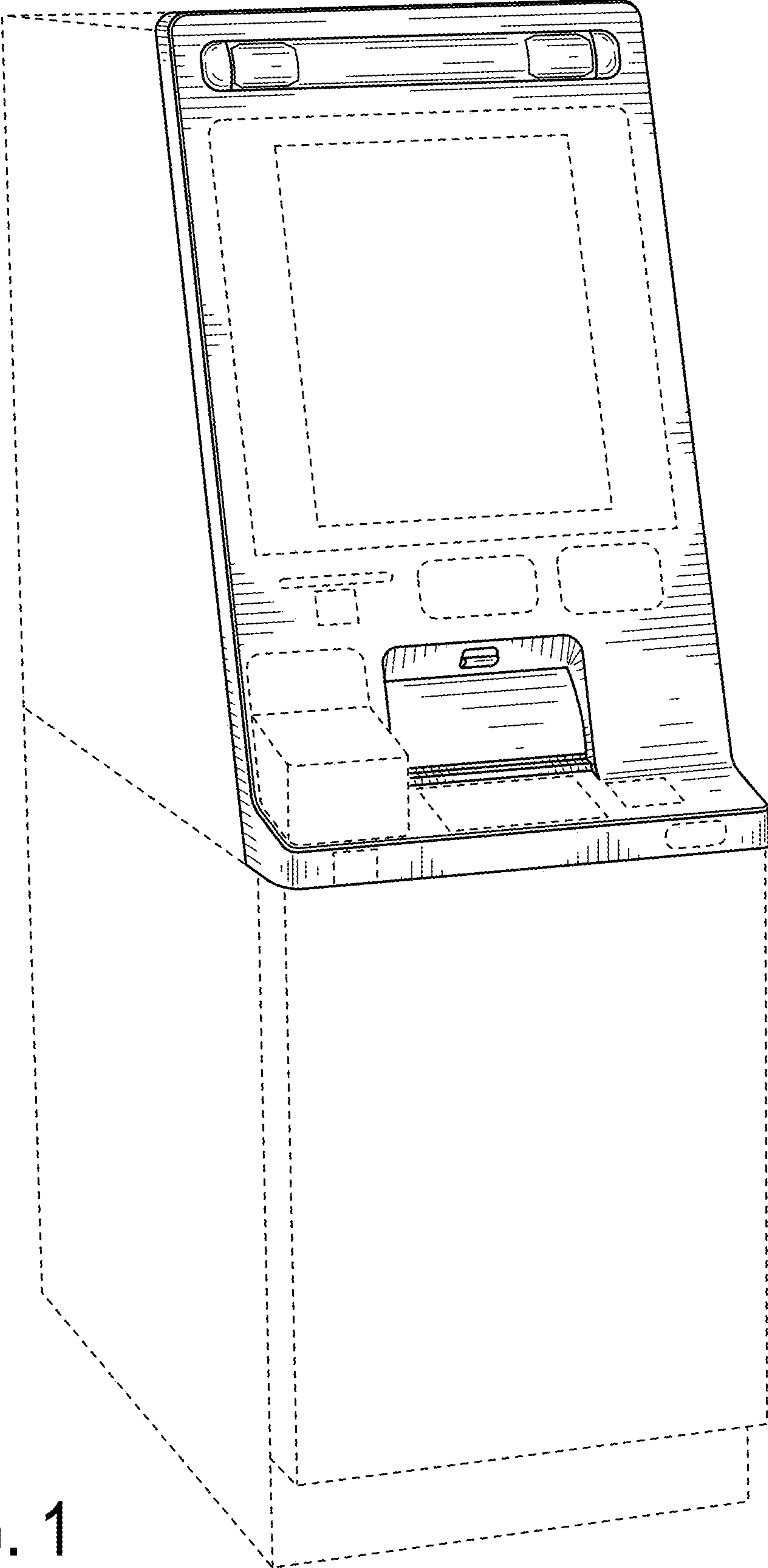


FIG. 1

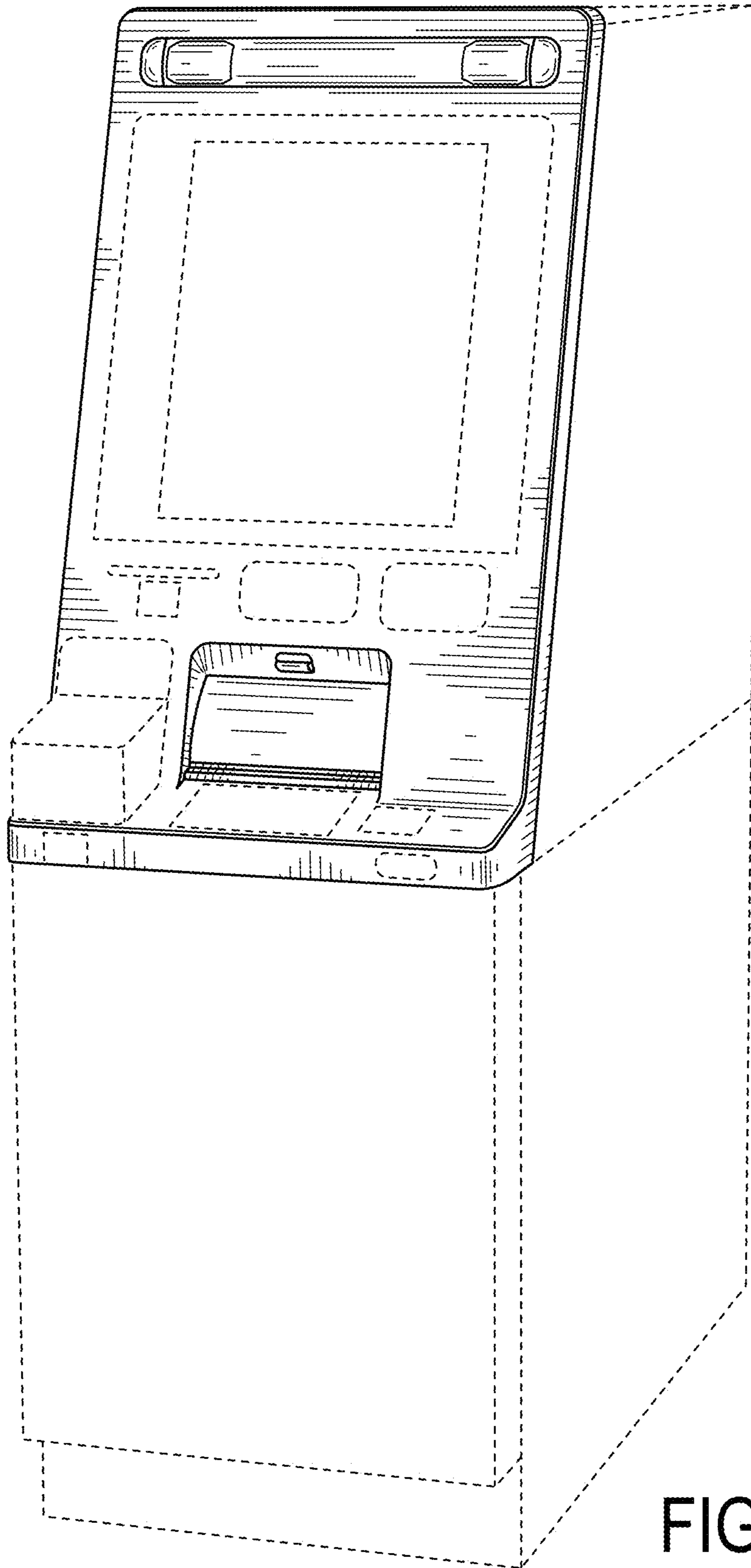


FIG. 2

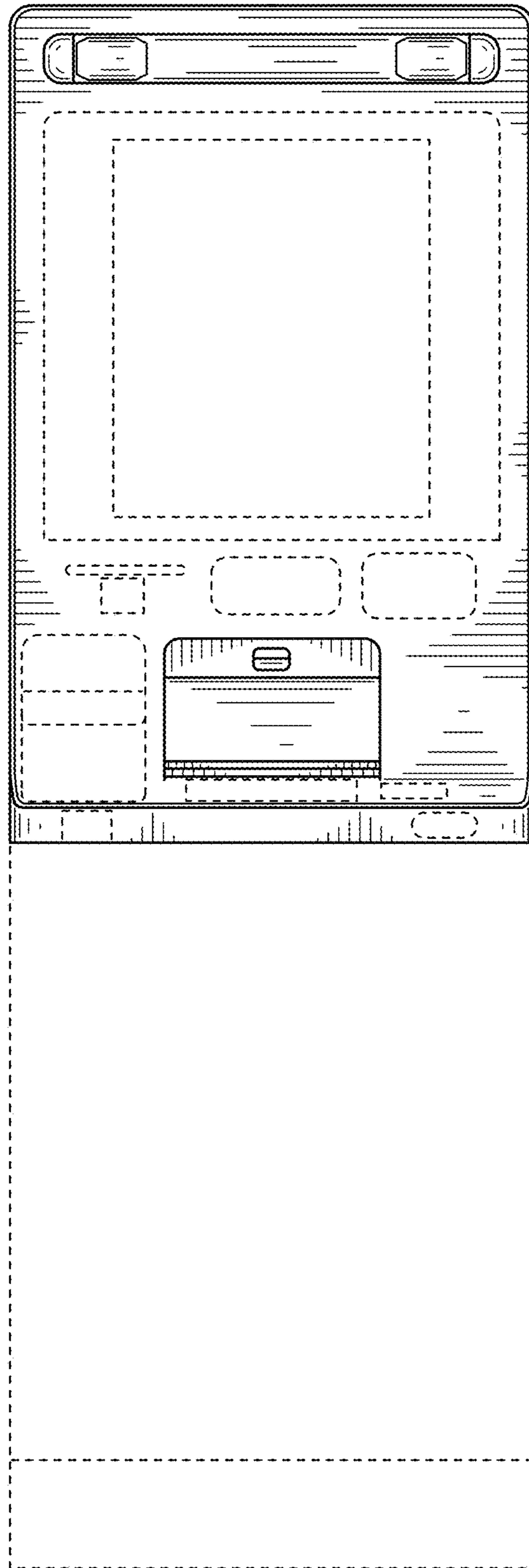


FIG. 3



FIG. 4

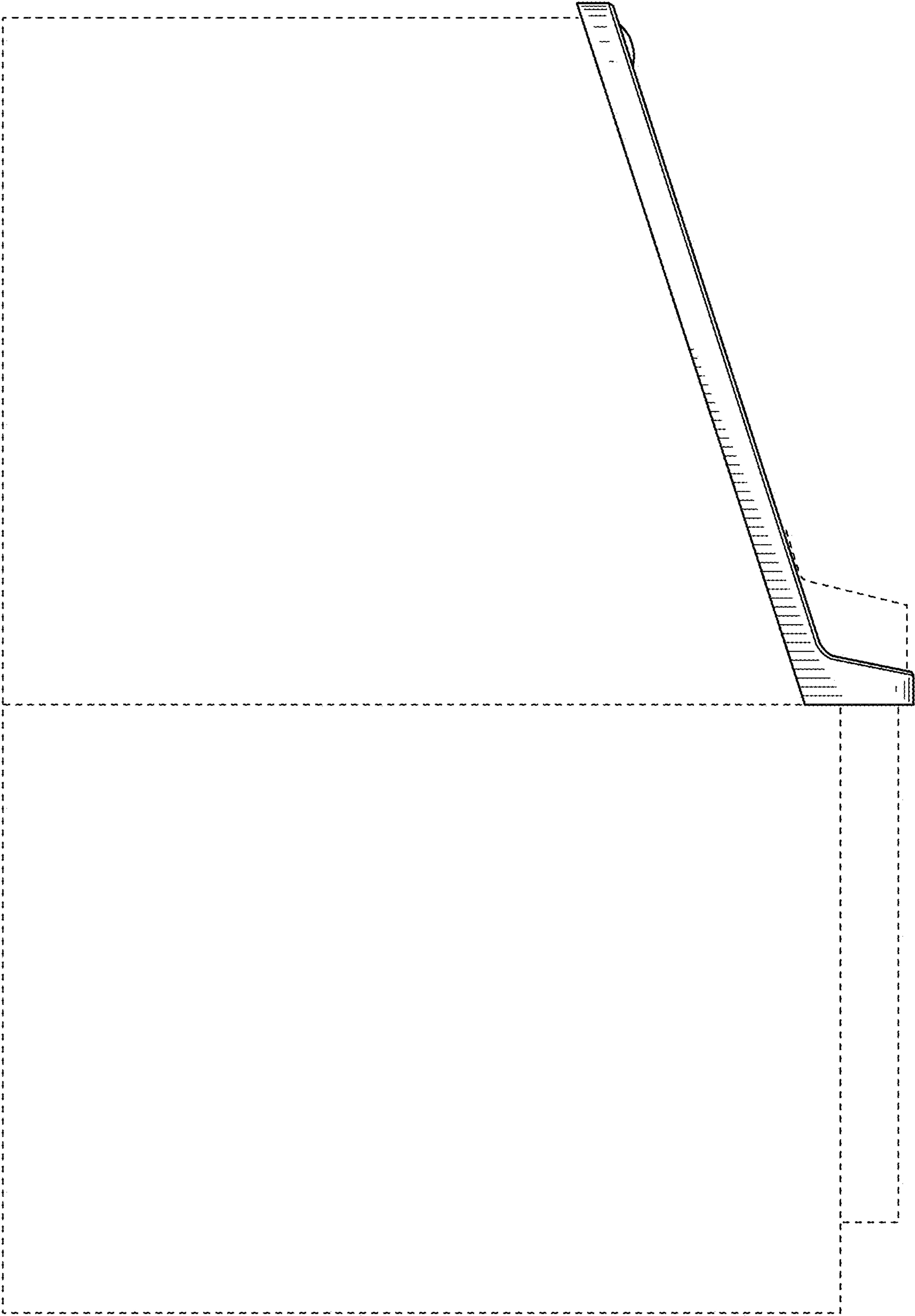


FIG. 5

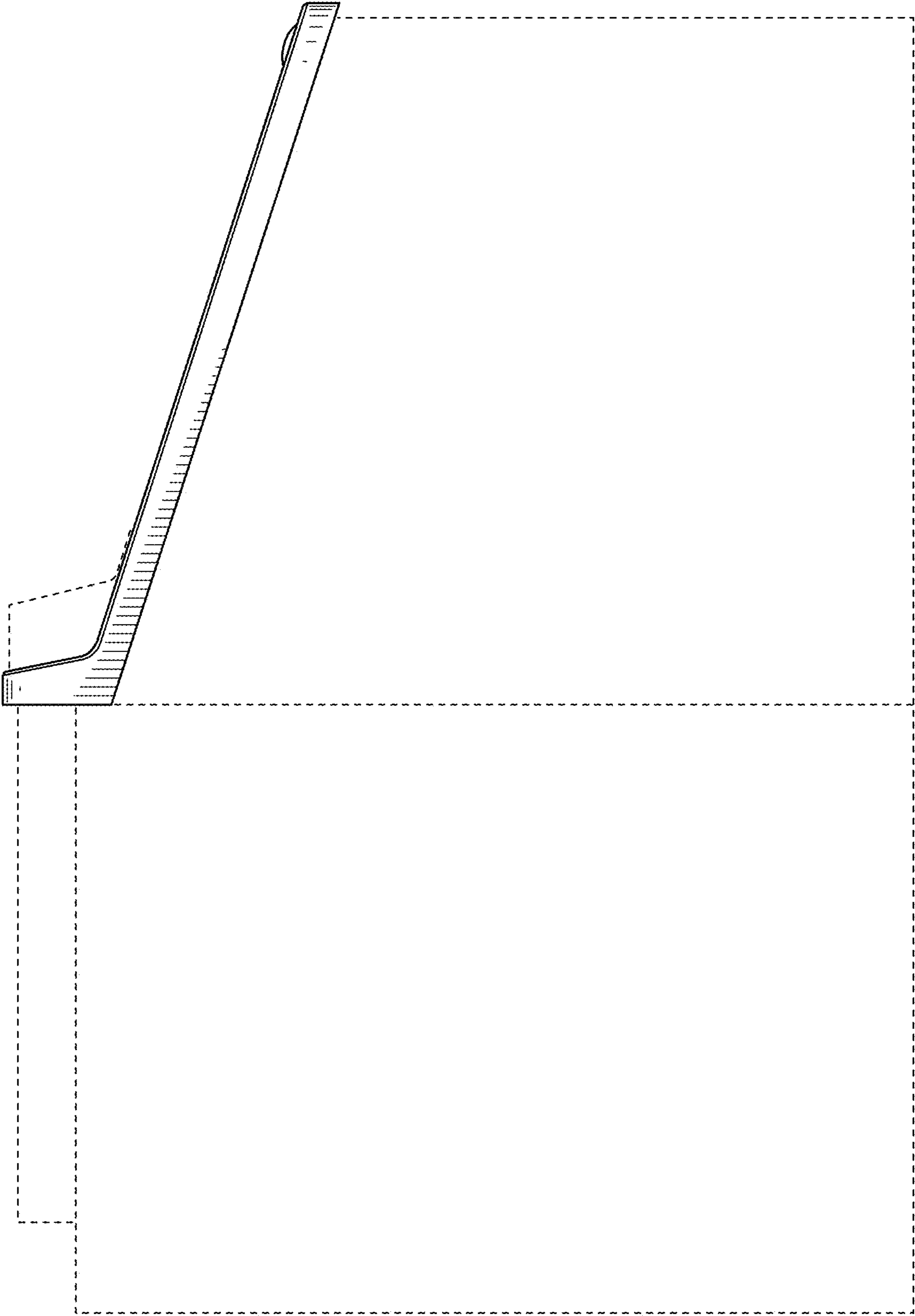


FIG. 6

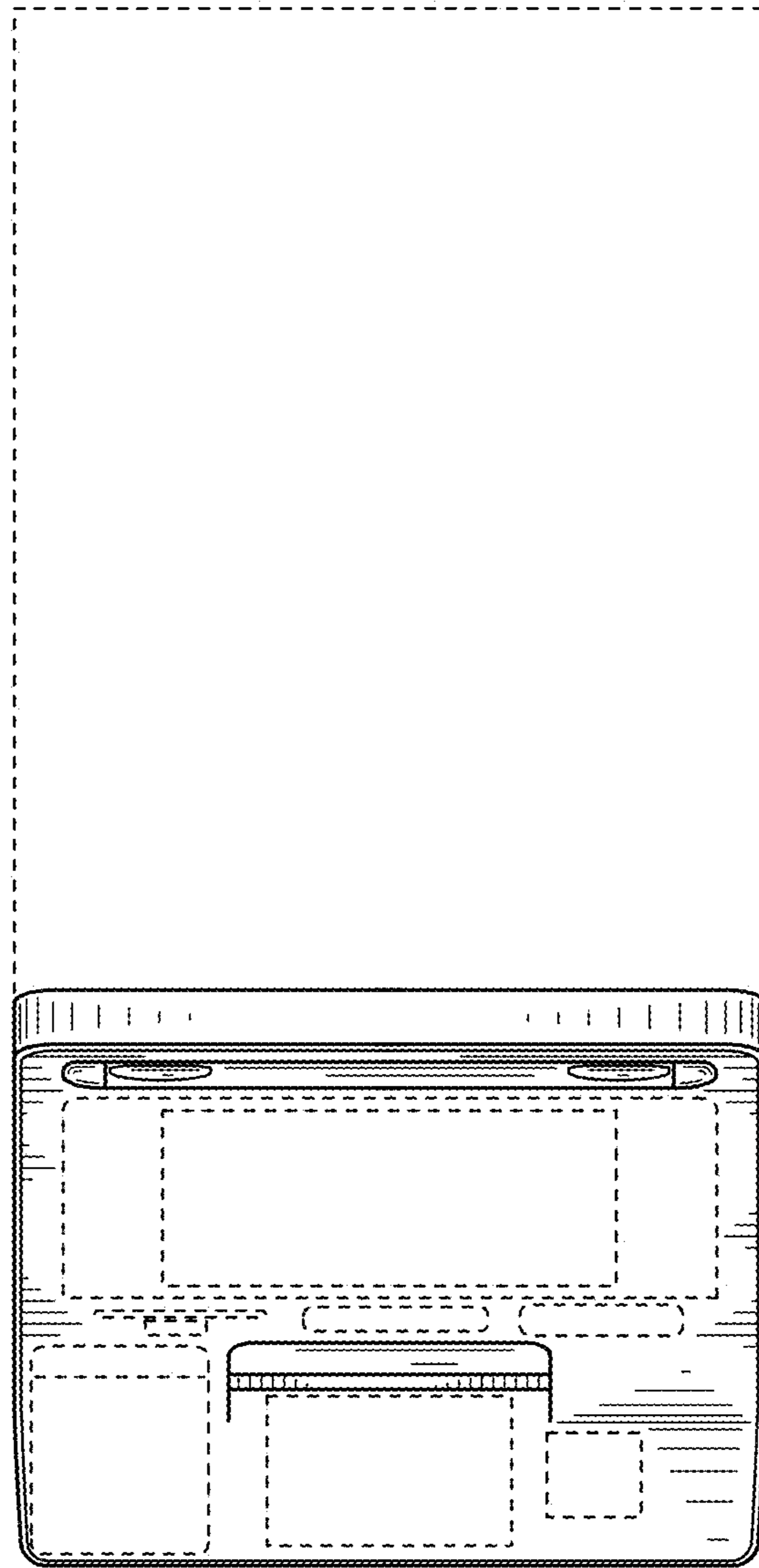


FIG. 7

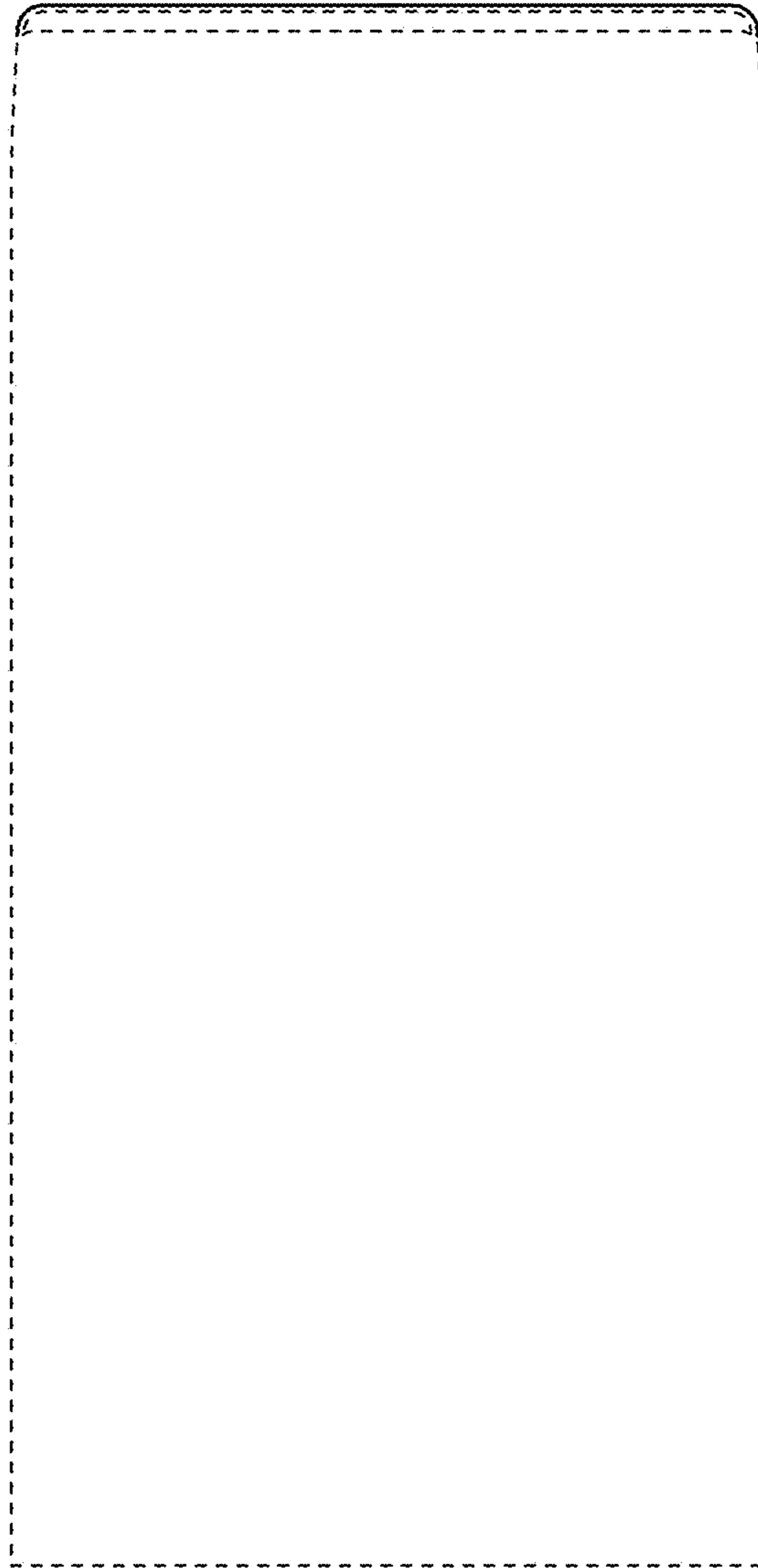


FIG. 8