



US00D950882S

(12) **United States Design Patent** (10) **Patent No.:** **US D950,882 S**
Connolly et al. (45) **Date of Patent:** **** May 3, 2022**

(54) **ELECTRONIC SAFE**

(71) Applicants: **Cole Connolly**, New York, NY (US);
Arya Tabatabai, New York, NY (US);
Nic Scholz, New York, NY (US)

(72) Inventors: **Cole Connolly**, New York, NY (US);
Arya Tabatabai, New York, NY (US);
Nic Scholz, New York, NY (US)

(**) Term: **15 Years**

(21) Appl. No.: **29/702,923**

(22) Filed: **Aug. 22, 2019**

(51) **LOC (13) Cl.** **99-00**

(52) **U.S. Cl.**
USPC **D99/28**

(58) **Field of Classification Search**
USPC D99/28, 34, 35, 36, 43, 99; D3/902, 905,
D3/201, 272, 273; D18/3.1, 3.3, 12.1
CPC A45C 1/12; A45C 2001/125; A45C
2001/102; A45C 2001/104; A45C
2001/006; A45C 2001/003; A45C
2001/105; A45C 2001/107; E05G 1/00;
E05G 1/005; E05G 1/024; E05G 1/026;
E05G 5/00; E05G 7/00; E05G 7/001;
E05G 2700/00; E05G 2700/02; B63C
7/30; G07D 9/00; G07D 9/002; G07D
9/004; G07D 9/006; G07D 9/008; G07D
9/02; G07D 9/04; G07D 9/06; G07D
9/065; G07D 11/00; G07D 11/0021;
G07D 13/00; G07D 2201/00; G07D
2211/00; G07F 9/06; G07F 9/08

See application file for complete search history.

(56) **References Cited**

U.S. PATENT DOCUMENTS

D291,019 S * 7/1987 Druihet D8/302
D308,279 S * 5/1990 Hill D99/28
D308,744 S * 6/1990 Arauchi D99/28
D409,352 S * 5/1999 Nolte D99/28

D461,617 S * 8/2002 Gardner D99/28
D748,365 S * 1/2016 Nelson D99/28
D758,690 S * 6/2016 Miller D99/28
D811,687 S * 2/2018 Kang D99/28
10,132,113 B2 * 11/2018 Stevenson G07C 9/00182
D876,044 S * 2/2020 Sisco D99/28
D880,102 S * 3/2020 Quinn D99/28
D880,103 S * 3/2020 Quinn D99/28
D893,123 S * 8/2020 Yu D99/28
D904,724 S * 12/2020 Zhang D99/28
D912,365 S * 3/2021 Shen D99/28
D919,225 S * 5/2021 Sheng D99/28
D920,623 S * 5/2021 Loeppert D99/28
D920,624 S * 5/2021 Loeppert D99/28

(Continued)

OTHER PUBLICATIONS

Global Industrial™ Personal Hotel Safe Electronic Lock Card Slot
15×10×7 Keyed Differently WHT, <https://www.globalindustrial.com/p/global-hotel-safe-electronic-lock-w-card-slot-15-w-x-10-d-x-7-h-keyed-alike-off-white?infoParam.campaignId=WR&msclkid=3962e08c0d6e1389902f804b9a17f1a4&utm>, Oct. 13, 2020 (Year: 2020).*

Primary Examiner — Elizabeth J Oswecki
(74) *Attorney, Agent, or Firm* — Law Office of Gerard F. Dunne; Gerard F. Dunne

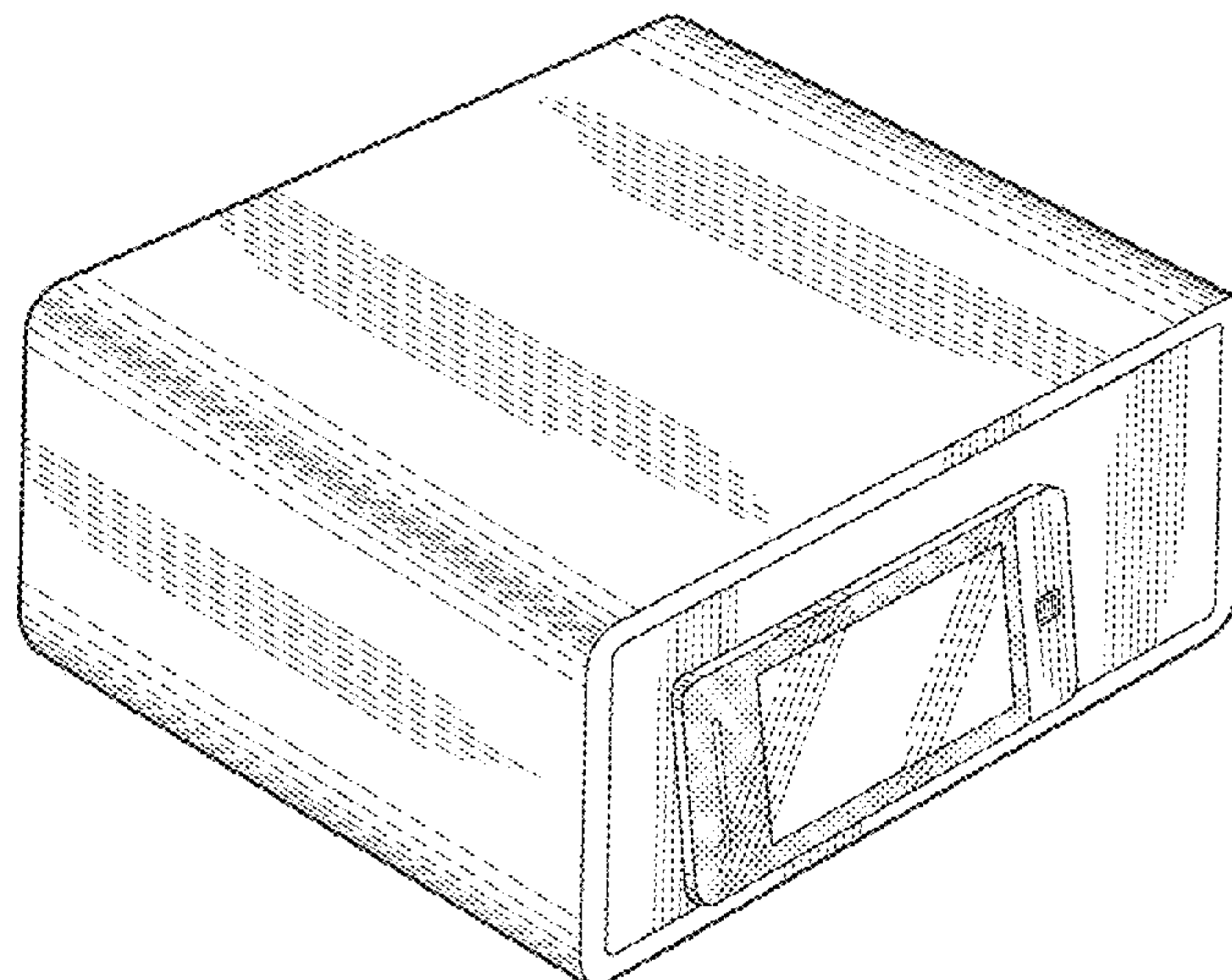
(57) **CLAIM**

The ornamental design for an electronic safe, as shown and described.

DESCRIPTION

FIG. 1 is a perspective view of an electronic safe showing our new design;
FIG. 2 is a front view thereof;
FIG. 3 is a rear view thereof;
FIG. 4 is a left side view thereof;
FIG. 5 is a right side view thereof;
FIG. 6 is a top view thereof; and,
FIG. 7 is a bottom view thereof.

1 Claim, 7 Drawing Sheets



(56)

References Cited

U.S. PATENT DOCUMENTS

2012/0042704 A1* 2/2012 Chang A45C 13/10
70/63
2015/0371468 A1* 12/2015 Mackin G07C 9/215
340/5.26
2019/0159620 A1* 5/2019 Veon A47G 29/14
2021/0166513 A1* 6/2021 Connolly G06F 21/604

* cited by examiner

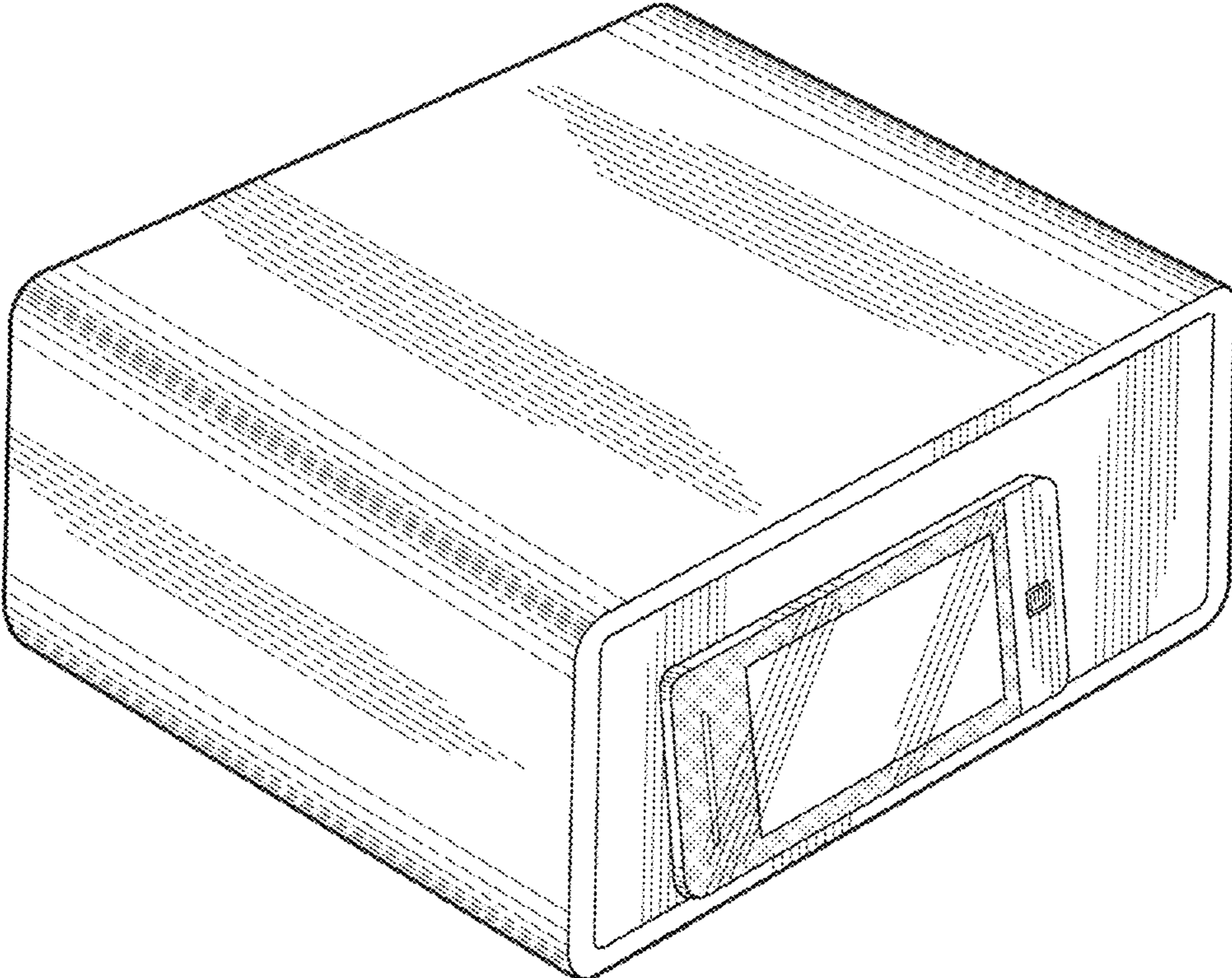


Fig. 1

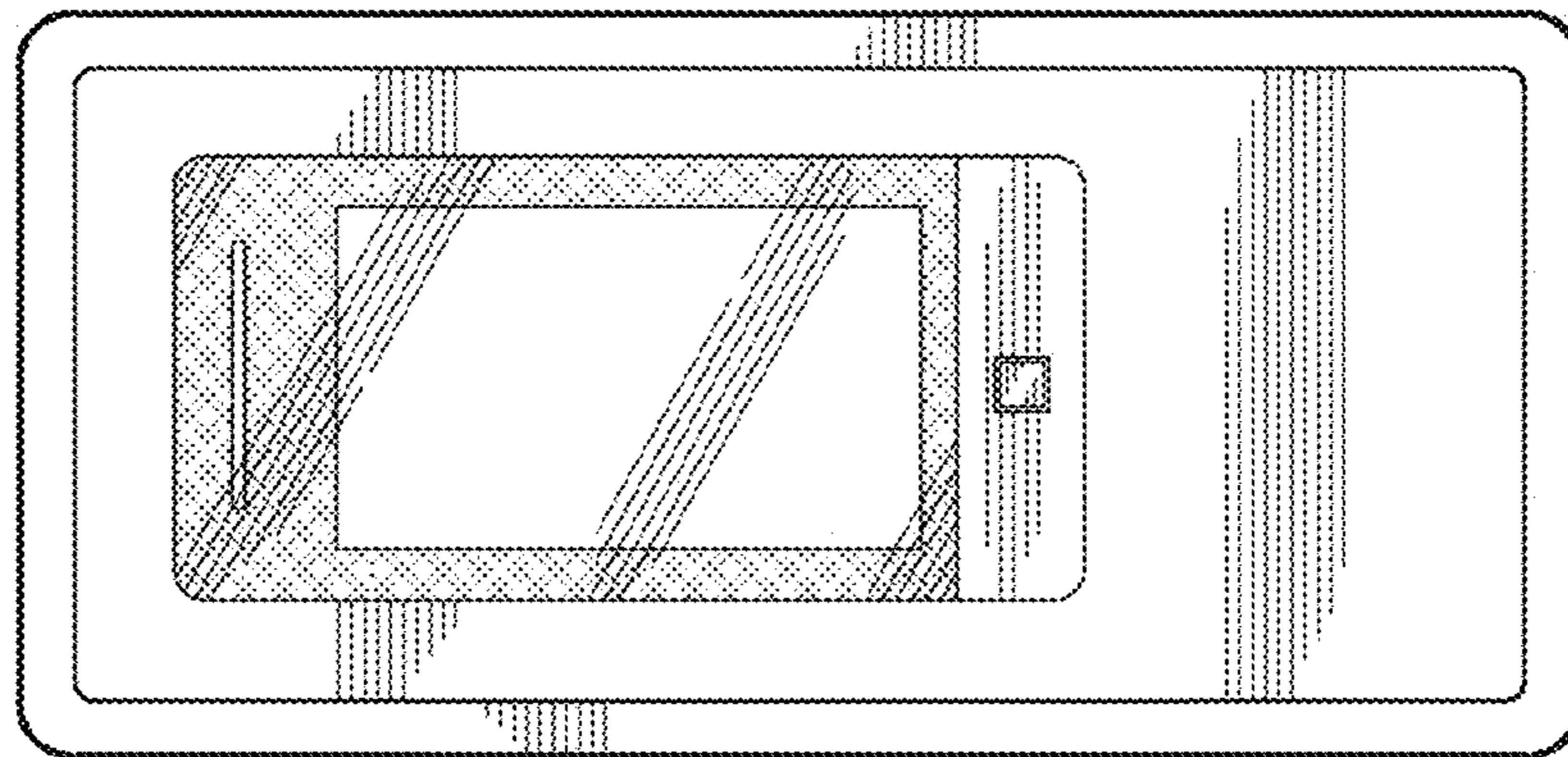


Fig.2

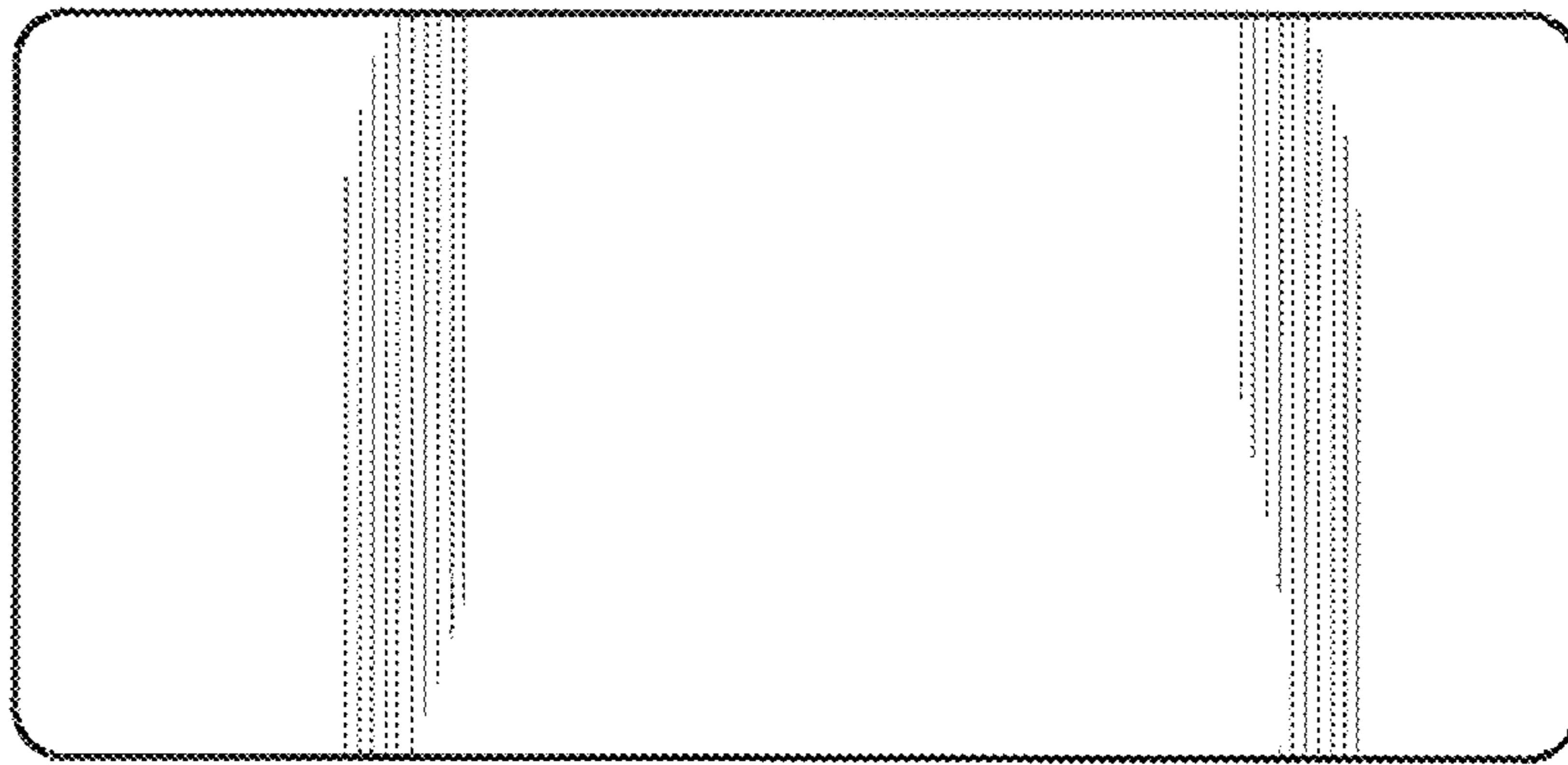


Fig.3



Fig. 4

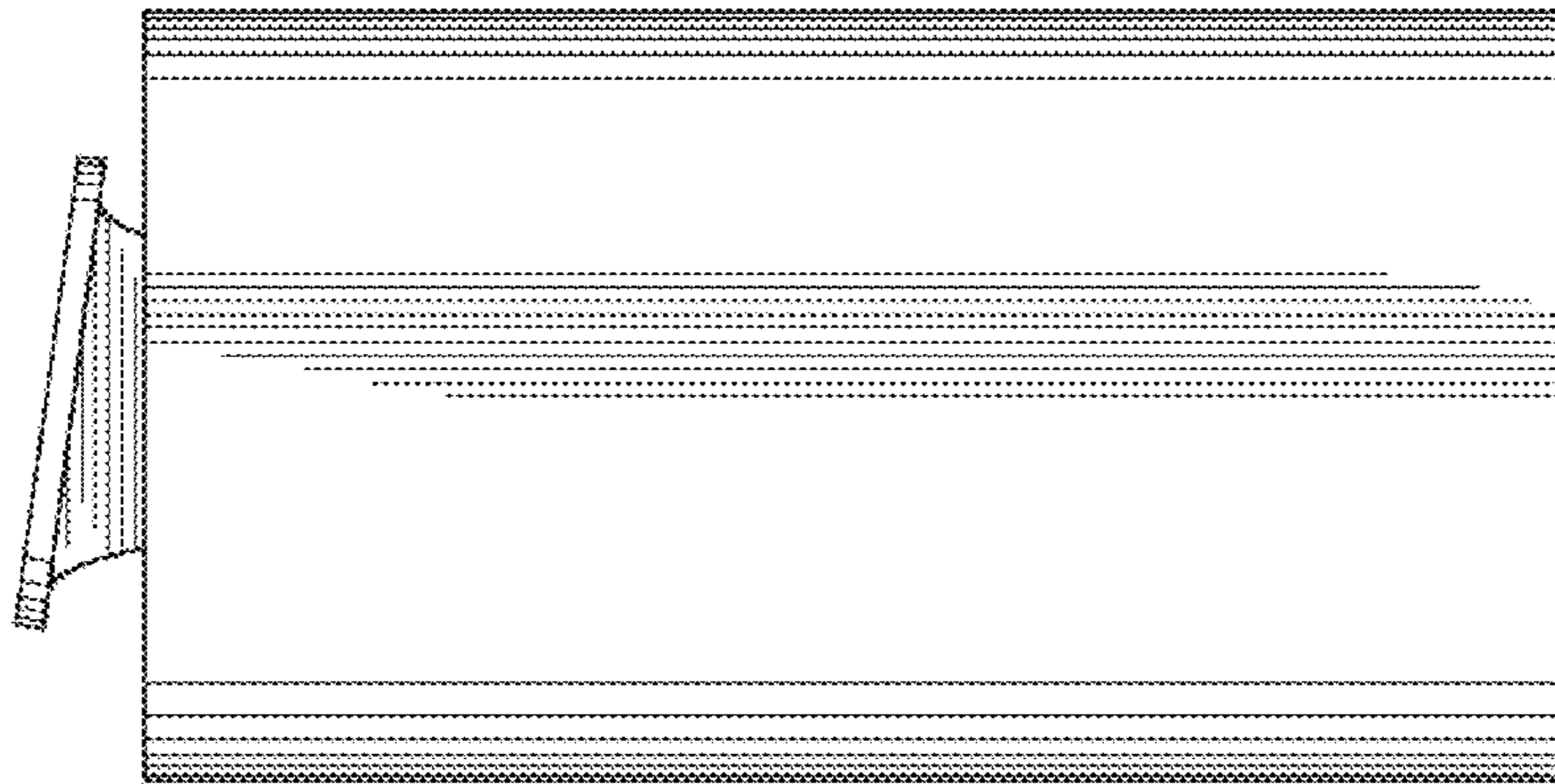


Fig.5

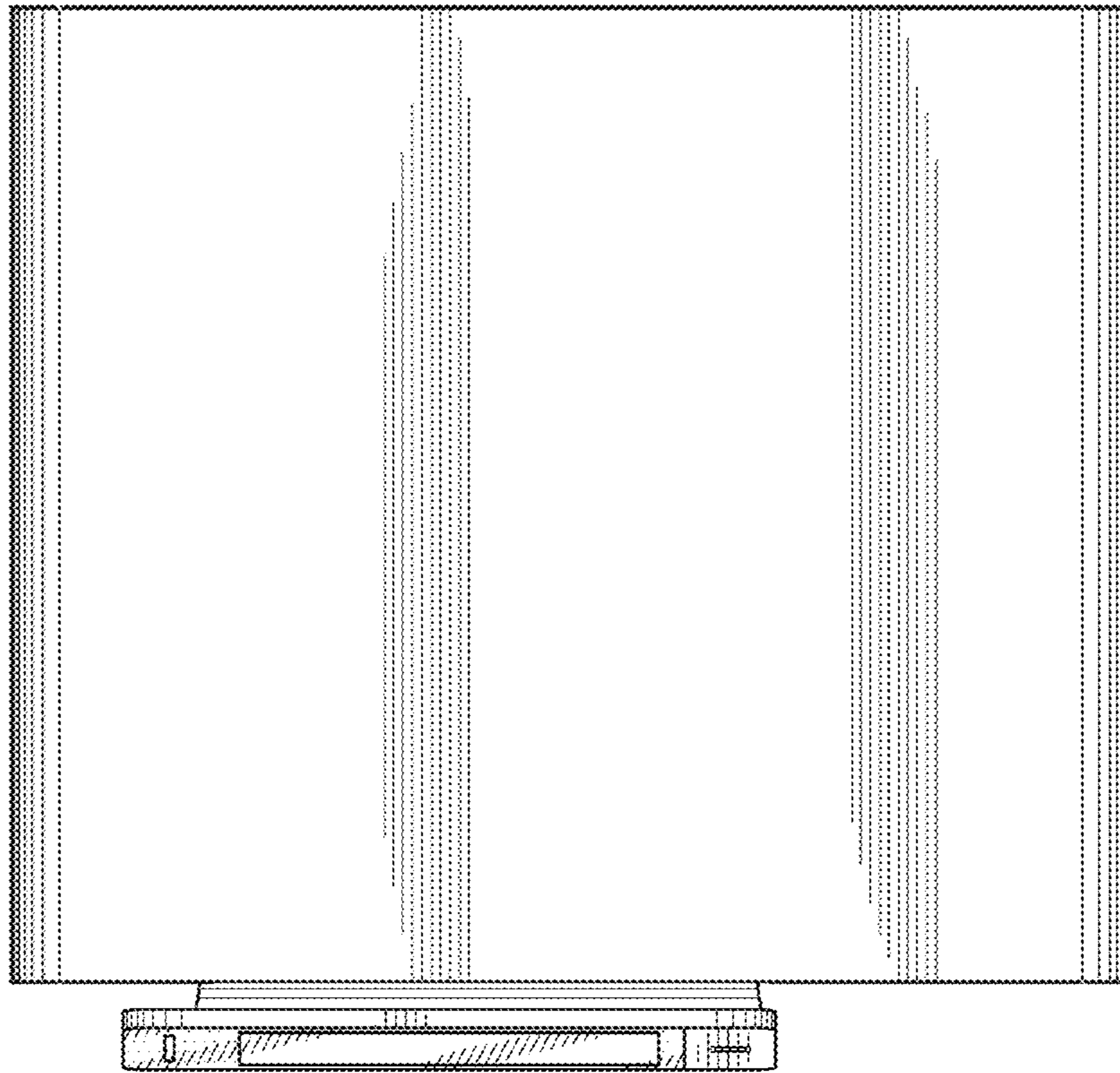


Fig.6

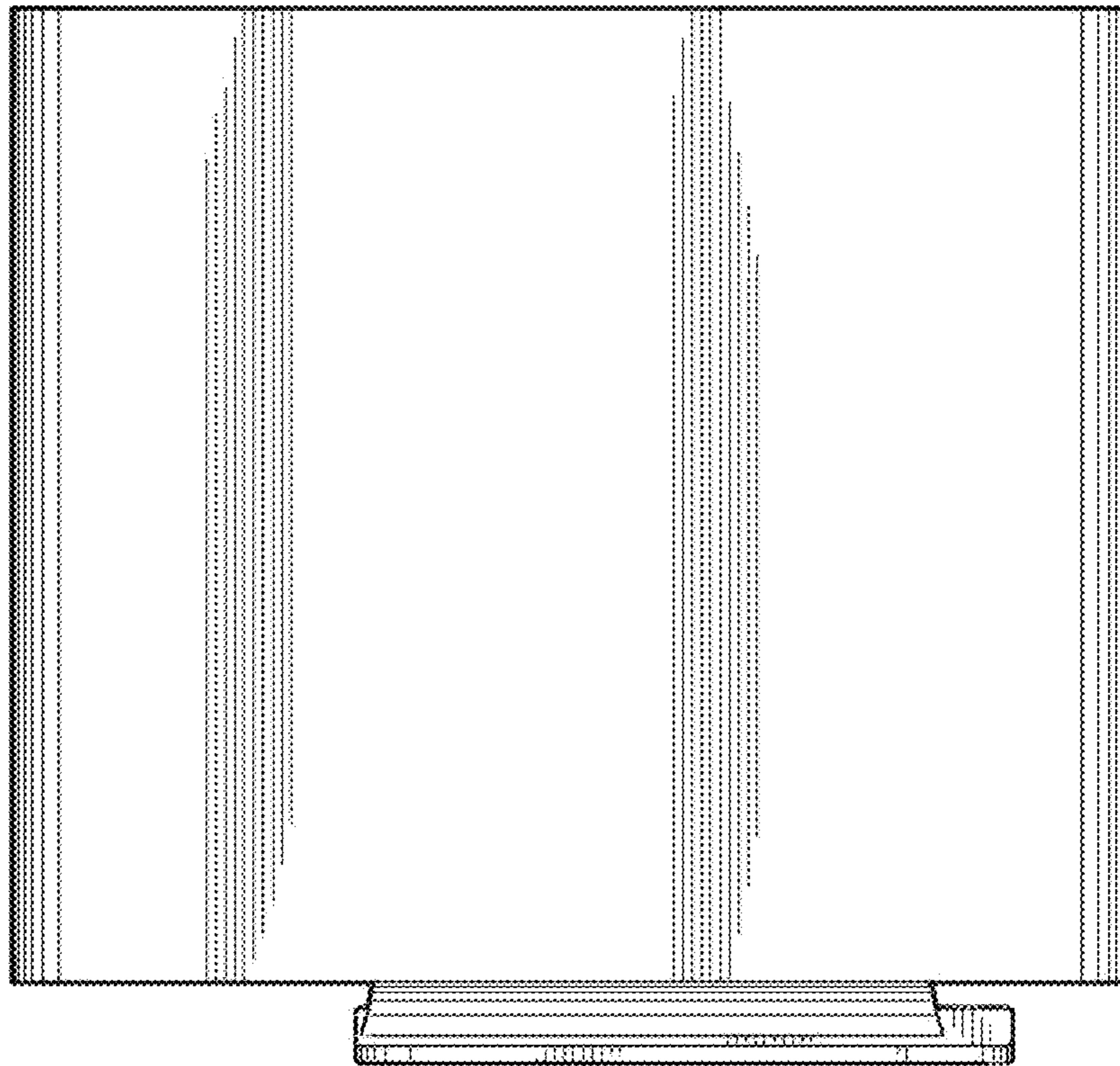


Fig. 7