



US00D950880S

(12) **United States Design Patent** (10) **Patent No.:** **US D950,880 S**  
**Shi** (45) **Date of Patent:** **\*\* May 3, 2022**

(54) **VEHICLE GARBAGE BAG BRACKET**  
(71) Applicant: **Foshan Tomato Technology Co., Ltd.,**  
Guangdong (CN)  
(72) Inventor: **Keng Shi,** Guangdong (CN)  
(73) Assignee: **Foshan Tomato Technology Co., Ltd.,**  
Guangdong (CN)

D882,488 S 4/2020 Tung  
D930,052 S \* 9/2021 Isringhausen ..... B66C 1/425  
D15/32  
D945,108 S \* 3/2022 Walker ..... D34/27  
2010/0236674 A1 \* 9/2010 Badgley ..... E05B 1/0069  
150/154  
2014/0263807 A1 \* 9/2014 Muderlak ..... B62B 5/069  
242/538.3

(\*\*) Term: **15 Years**  
(21) Appl. No.: **29/786,159**  
(22) Filed: **May 28, 2021**

(30) **Foreign Application Priority Data**  
May 27, 2021 (EM) ..... 008556039  
(51) **LOC (13) Cl.** ..... **09-09**  
(52) **U.S. Cl.**  
USPC ..... **D34/10; D14/253**  
(58) **Field of Classification Search**  
USPC ..... D34/1, 10, 11; D14/238, 253  
CPC ... B65D 1/00; B65D 1/22; B65D 1/44; B65D  
33/12; B65D 33/16; B65D 31/00; B65D  
31/10; B65D 5/00; B65D 5/06  
See application file for complete search history.

(56) **References Cited**  
**U.S. PATENT DOCUMENTS**  
D321,577 S \* 11/1991 Ellis ..... D34/27  
5,722,672 A \* 3/1998 Frederick ..... B62B 5/06  
16/904  
D404,879 S \* 1/1999 Murakami ..... D34/27  
D411,904 S \* 7/1999 Risholm ..... D34/27  
D726,175 S 4/2015 Tsai et al.  
9,541,108 B1 \* 1/2017 Penrod ..... B62B 3/146  
9,676,406 B1 \* 6/2017 Kocurek ..... B62B 3/146

**OTHER PUBLICATIONS**

Car garbage bag with bracket, searched Mar. 21, 2022, <https://www.ubuy.vn/en/product/1AERERE5E-biceuki-car-trash-can-with-holder-disposable-garbage-bag-tearable-with-multifunctional-bracket-for-car-seat-back-leakproof-vomit-bag-storage> (Year: 2022).\*

(Continued)

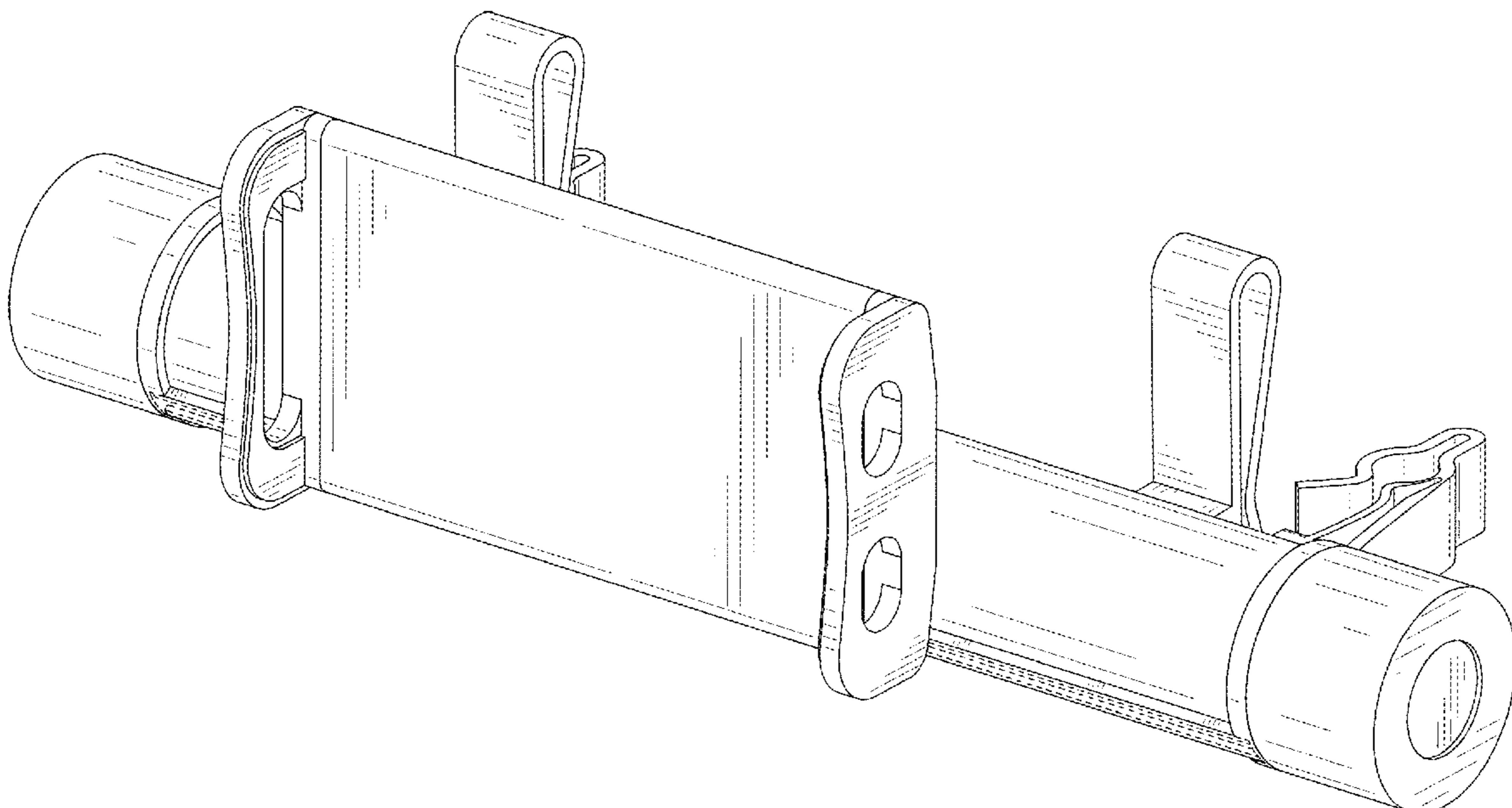
*Primary Examiner* — Cynthia Ramirez  
(74) *Attorney, Agent, or Firm* — ScienBiziP, P.C.

(57) **CLAIM**  
The ornamental design for a vehicle garbage bag bracket, as shown and described.

**DESCRIPTION**

FIG. 1 is a front, right, and top perspective view of a vehicle garbage bag bracket, showing my design.  
FIG. 2 is a rear, left, and top perspective view thereof.  
FIG. 3 is a front elevation view thereof.  
FIG. 4 is a rear elevation view thereof.  
FIG. 5 is a left side elevation view thereof.  
FIG. 6 is a right side elevation view thereof.  
FIG. 7 is a top plan view thereof.  
FIG. 8 is a bottom plan view thereof; and,  
FIG. 9 is a reference view of the vehicle garbage bag bracket showing a status where in a garbage bag is pulled out of an installation slot of the vehicle garbage bag bracket.  
The broken lines shown in the drawings are included for the purpose of illustrating portions of the vehicle garbage bag bracket that form no part of the claimed design.

**1 Claim, 9 Drawing Sheets**



(56)

**References Cited**

OTHER PUBLICATIONS

Alibaba.com searched Mar. 21, 2022, high quality garbage plastic bags disposable for car aluminum bar, [https://www.alibaba.com/product-detail/High-Quality-Garbage-Plastic-Bags-Disposable\\_1600215328411](https://www.alibaba.com/product-detail/High-Quality-Garbage-Plastic-Bags-Disposable_1600215328411) (Year: 2022).\*

Baseus roller car trash can auto organizer storage bag searched Mar. 21, 2022, <https://www.baseus-cn.com/baseus-roller-car-trash-can-auto-organizer-storage-bag-car-garbage-bin> (Year: 2022).\*

\* cited by examiner

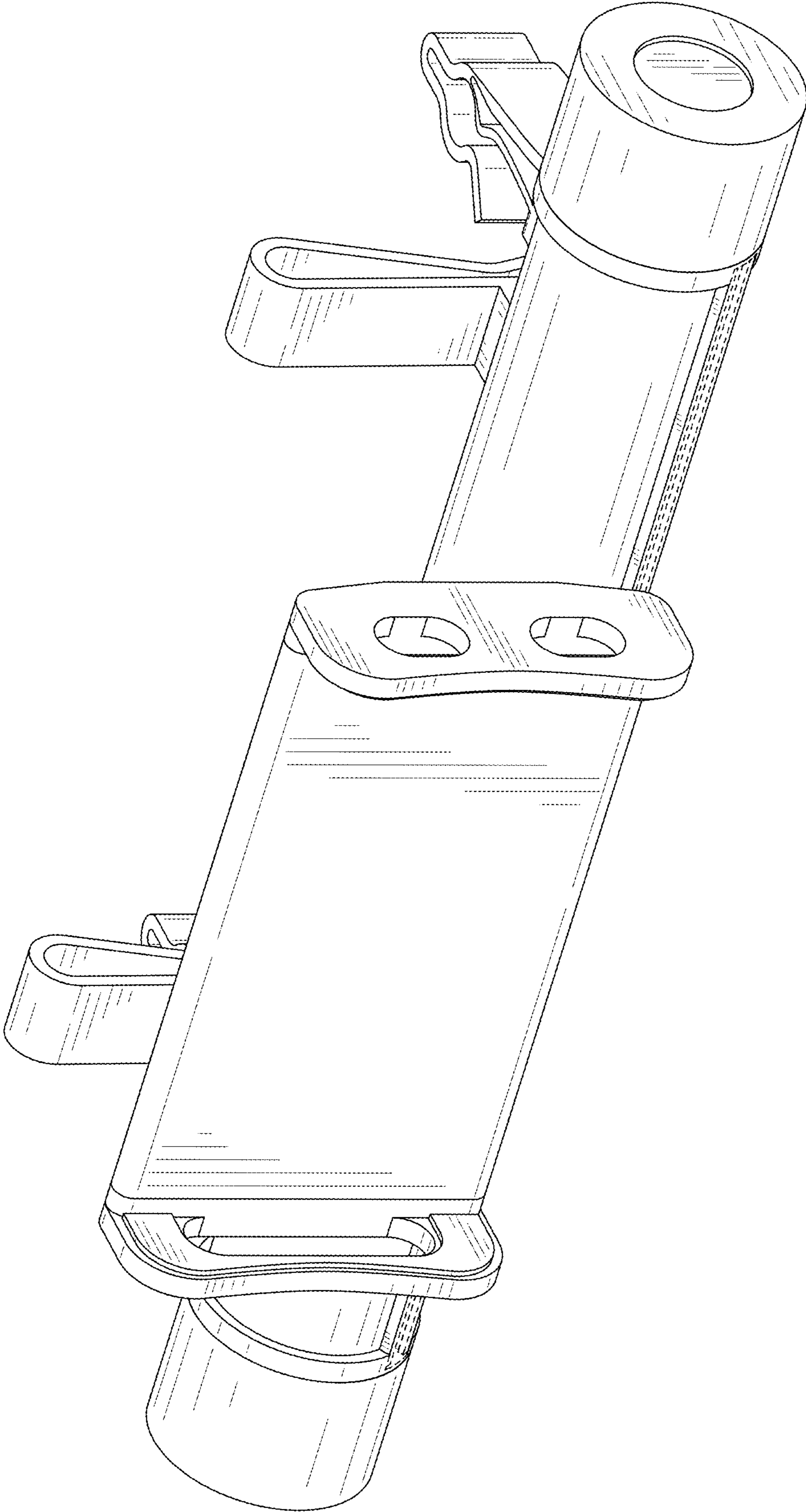


FIG. 1

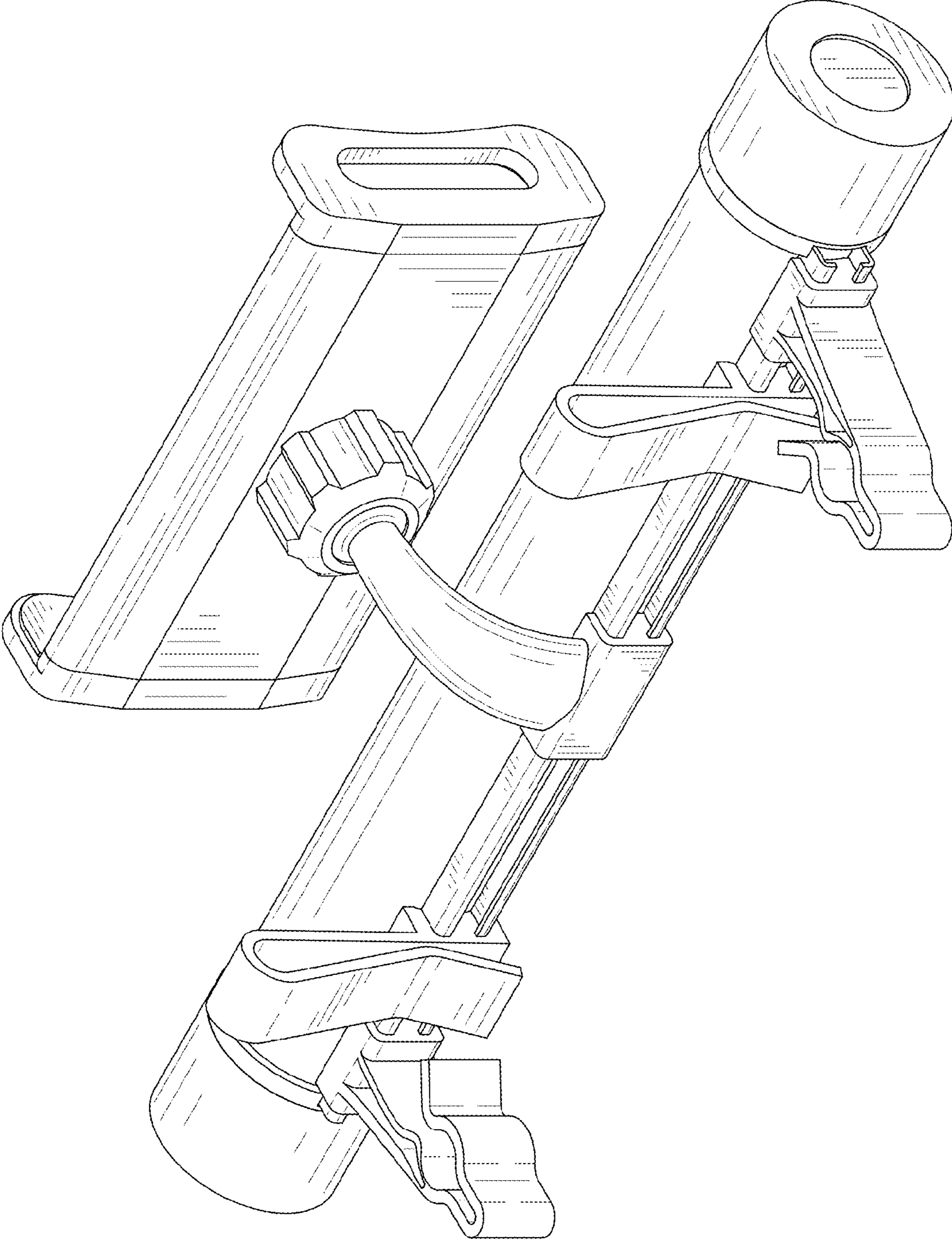


FIG. 2

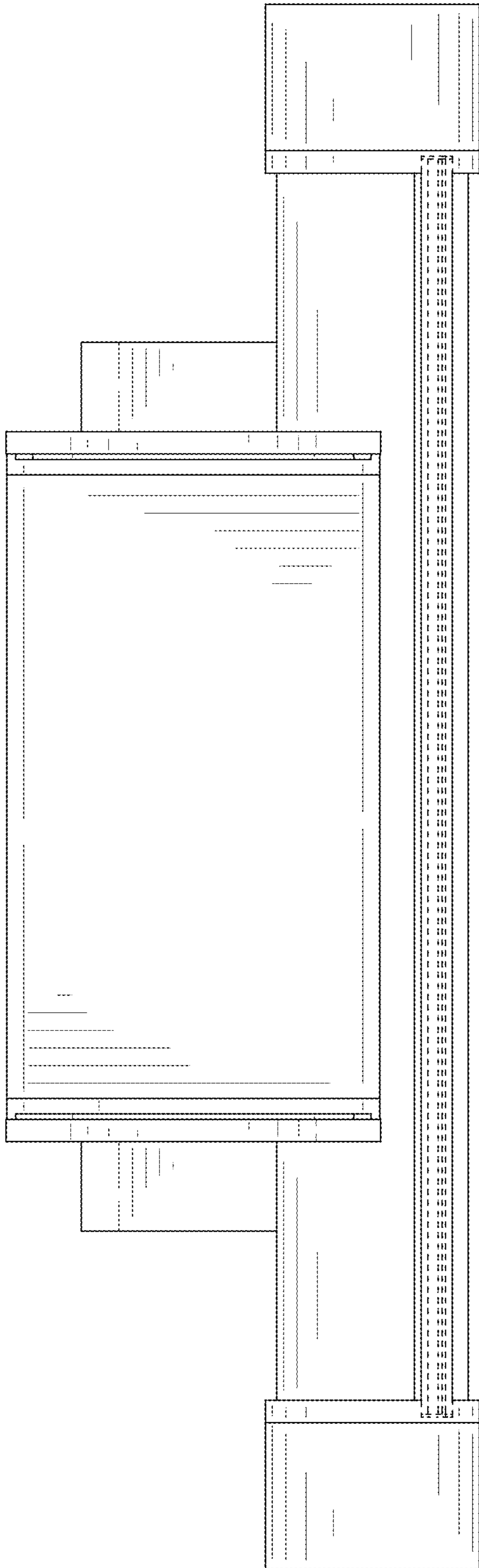


FIG. 3

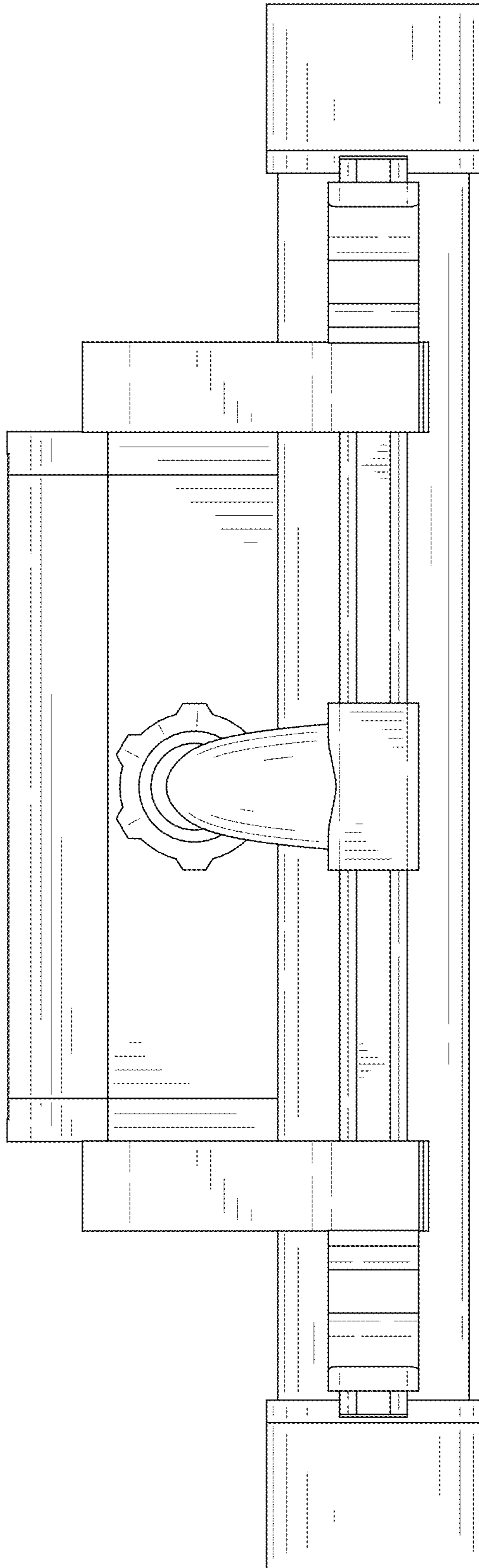


FIG. 4

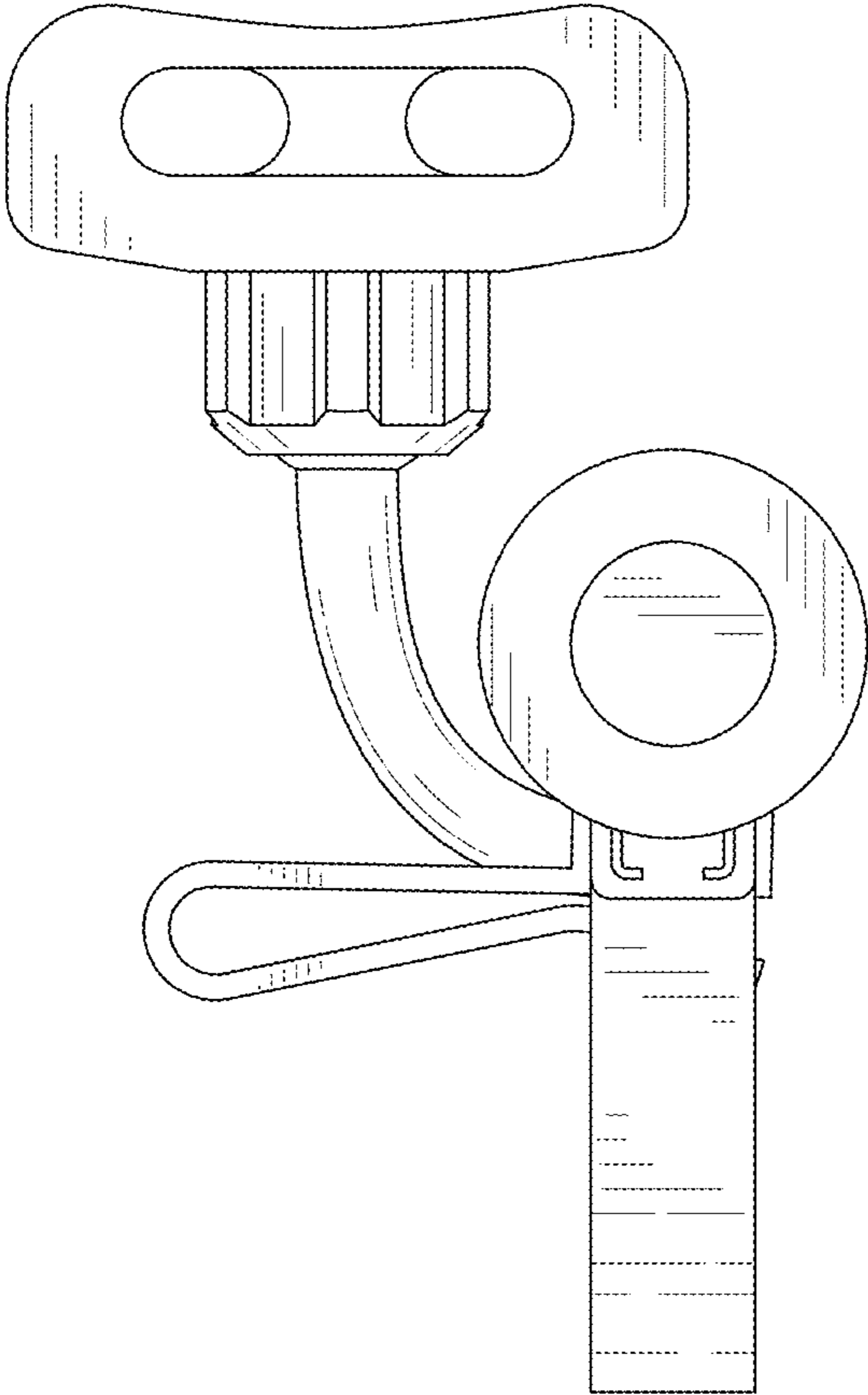


FIG. 5

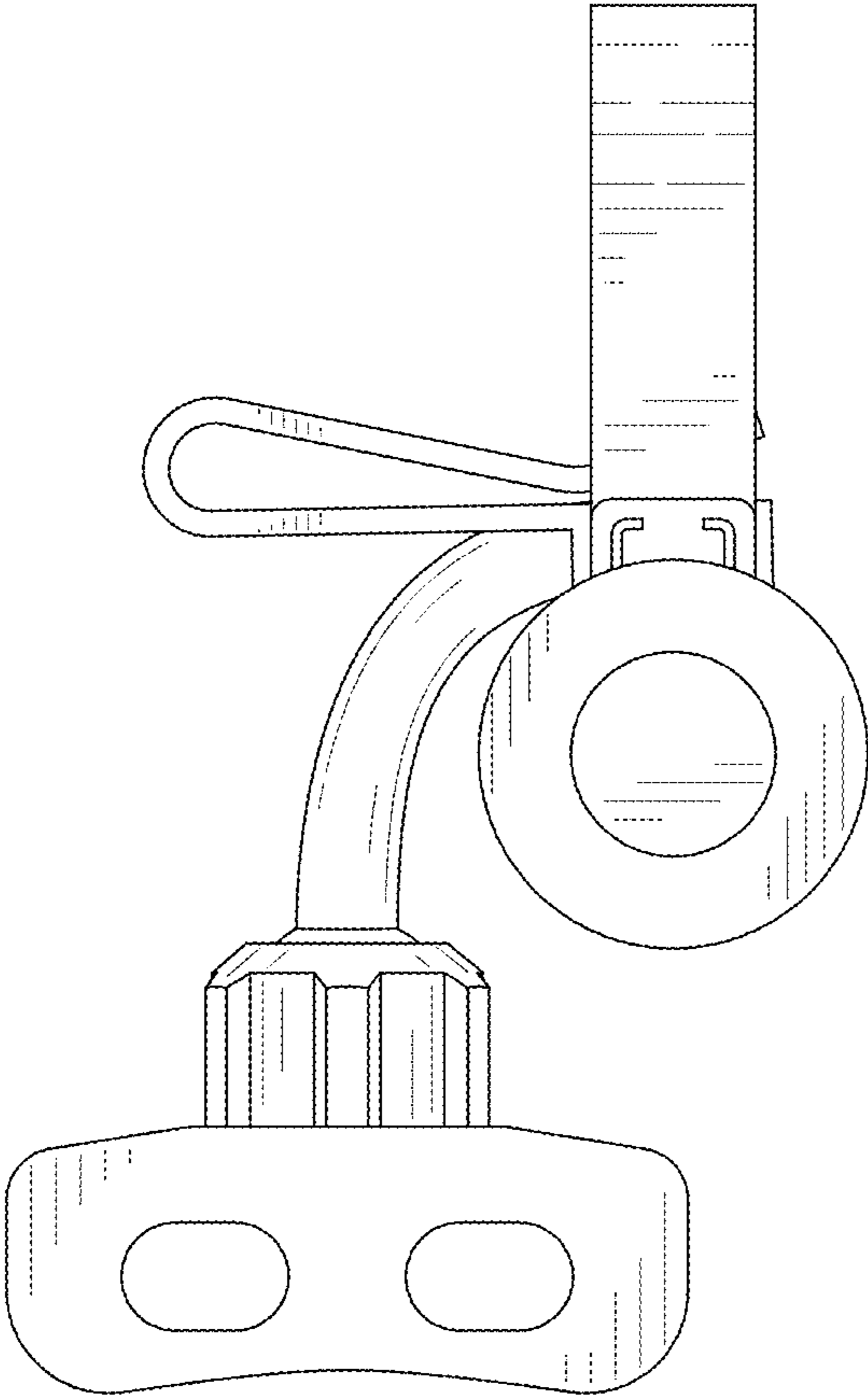


FIG. 6



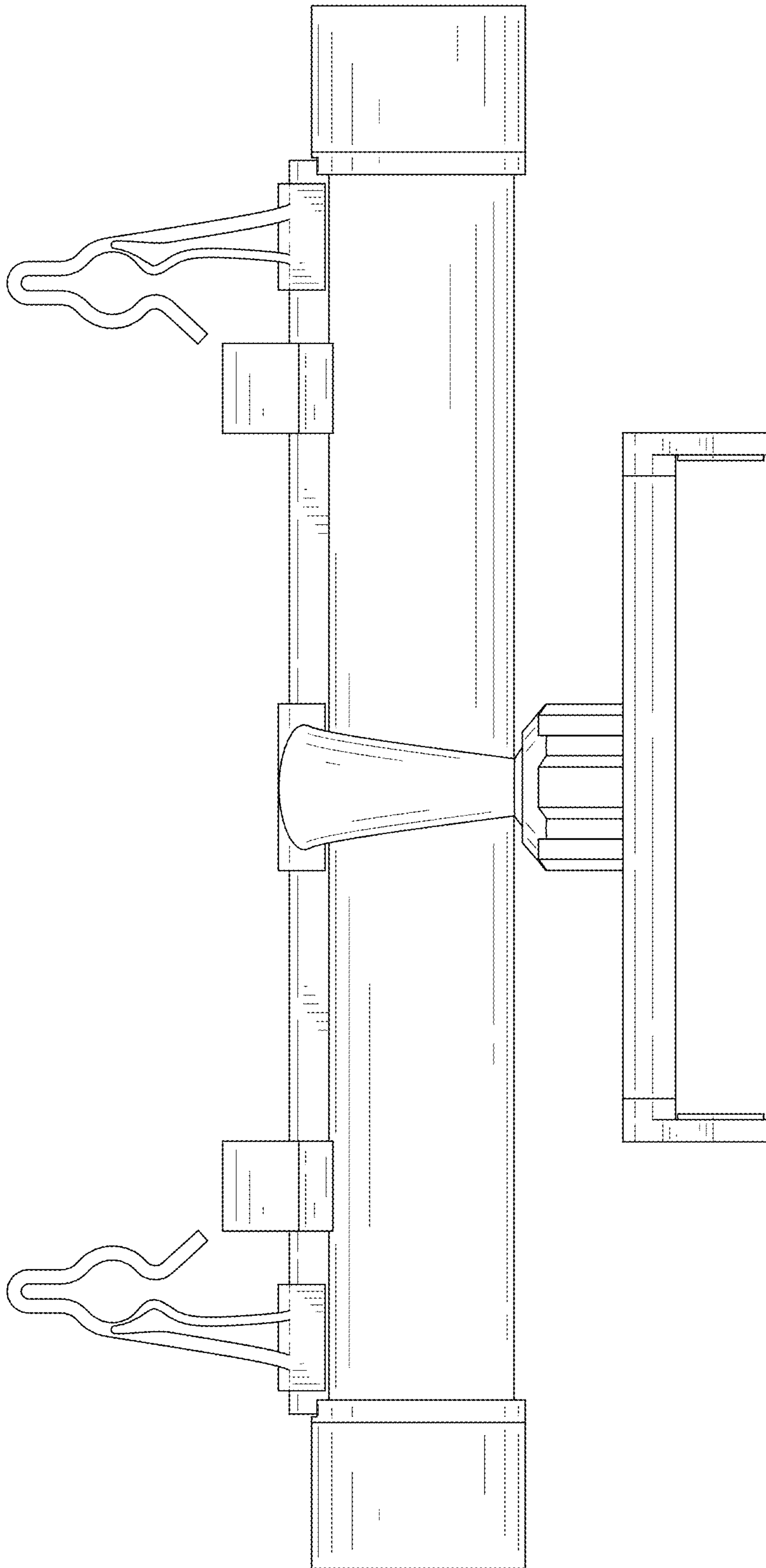


FIG. 7

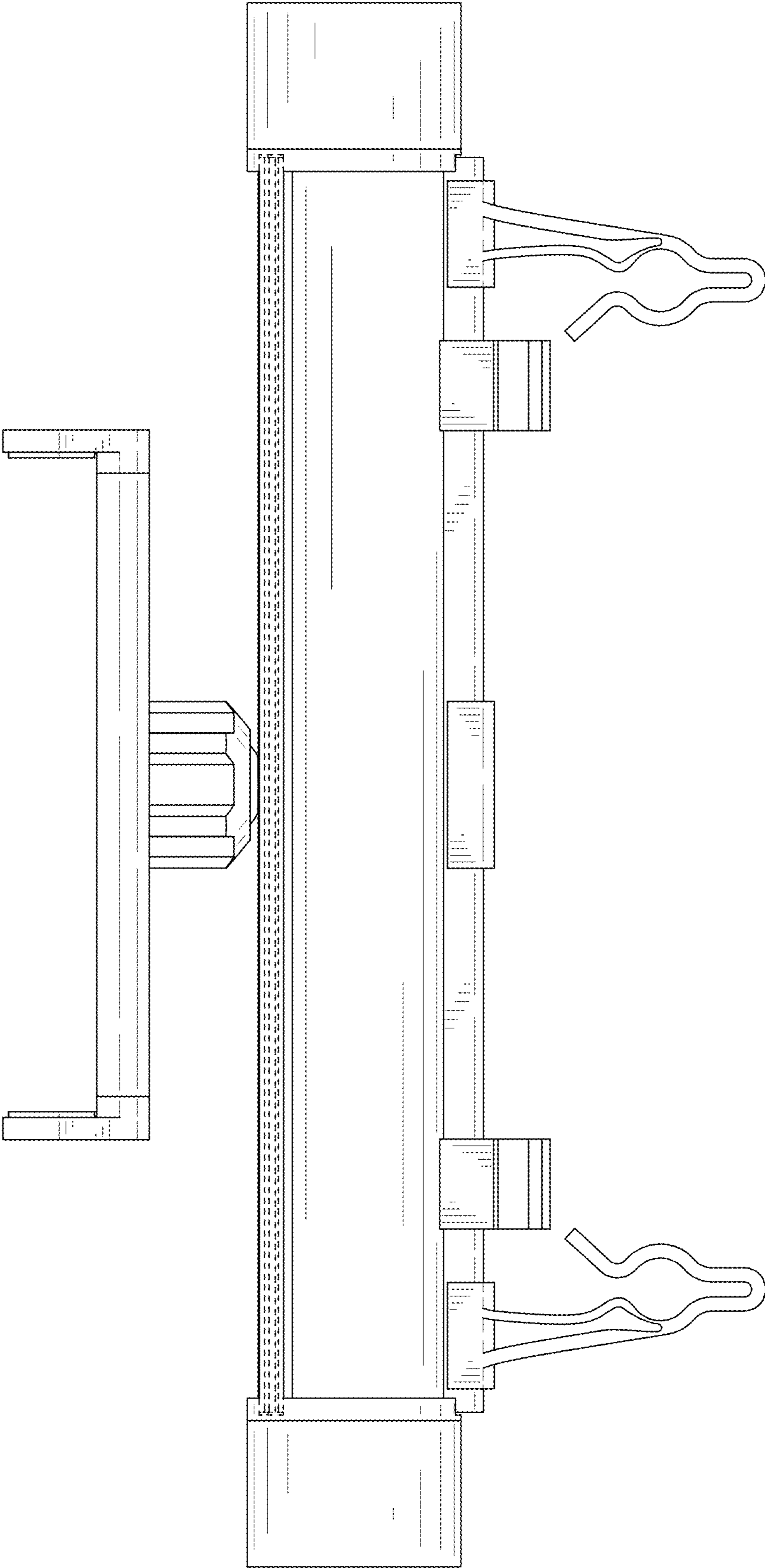


FIG. 8

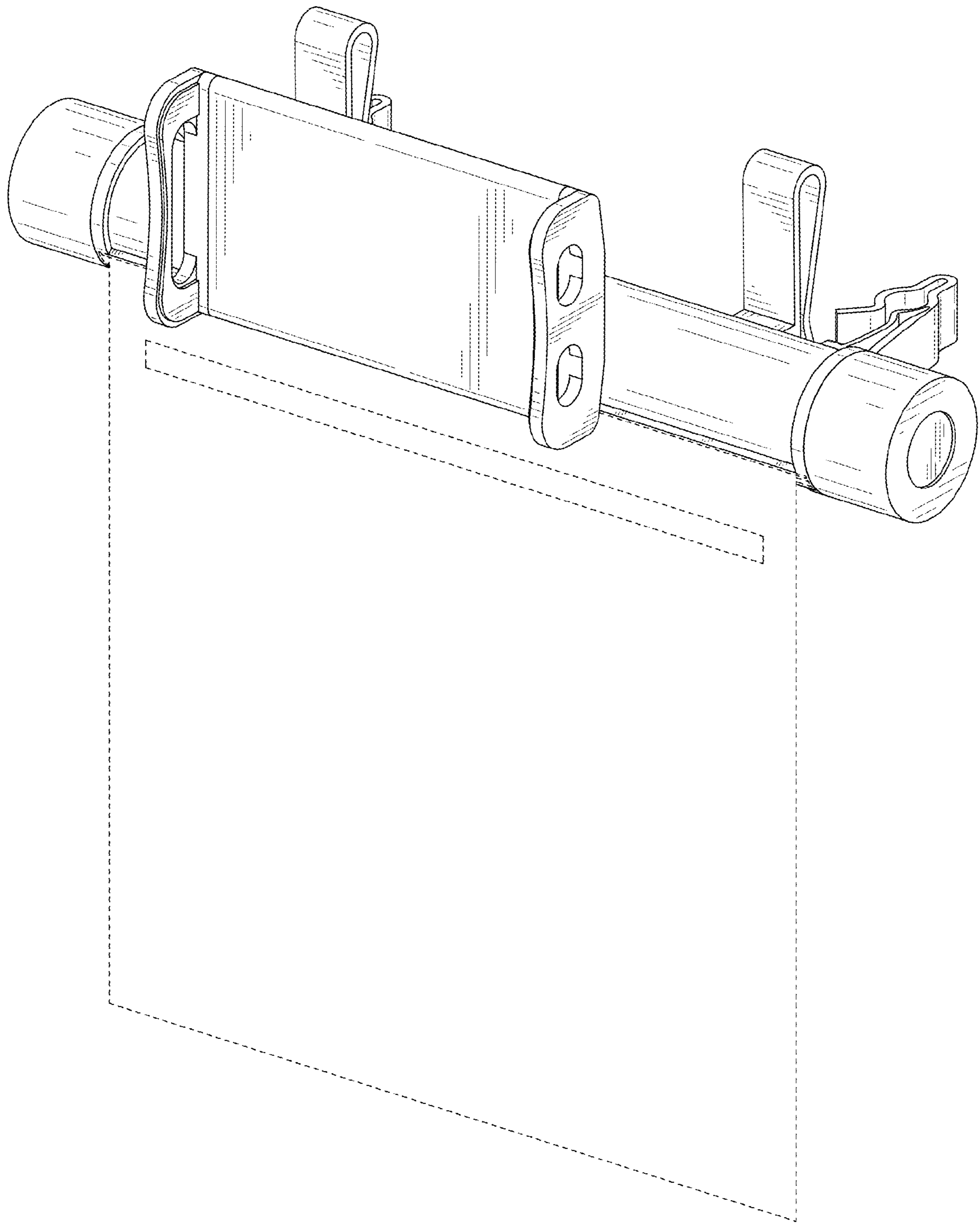


FIG. 9