



US00D950879S

(12) **United States Design Patent**  
**Ramirez**

(10) **Patent No.:** **US D950,879 S**  
(45) **Date of Patent:** **\*\* May 3, 2022**

(54) **DUAL COMPARTMENT CONTAINER**

**DESCRIPTION**

- (71) Applicant: **Luis Ramirez**, Fresno, CA (US)
- (72) Inventor: **Luis Ramirez**, Fresno, CA (US)
- (\*\*) Term: **15 Years**
- (21) Appl. No.: **29/737,957**
- (22) Filed: **Jun. 12, 2020**
- (51) **LOC (13) Cl.** ..... **09-09**
- (52) **U.S. Cl.**  
USPC ..... **D34/7**
- (58) **Field of Classification Search**  
USPC ..... D34/1, 7, 8, 9, 10, 11  
CPC ..... B65F 1/163; B65F 1/16; B65F 2250/116;  
B65F 2250/12; B65F 1/00; B65F 1/1638;  
B65F 1/0033; B65F 1/122; B65F  
2001/1669  
See application file for complete search history.

(56) **References Cited**

**U.S. PATENT DOCUMENTS**

D250,744 S *	1/1979	Morin	.....	D34/5
D355,740 S *	2/1995	Kirchner	.....	D34/1
D362,932 S *	10/1995	Brightbill	.....	D32/37
D488,902 S *	4/2004	Yang	.....	D34/8
D580,613 S *	11/2008	Yang	.....	D34/7
D675,802 S *	2/2013	Yang	.....	D34/7
D725,860 S *	3/2015	Spivey	.....	D34/7
D762,037 S *	7/2016	Chen	.....	D34/7
D790,145 S *	6/2017	Chen	.....	D34/7
D792,673 S *	7/2017	Lloyd	.....	D34/7

(Continued)

*Primary Examiner* — Cynthia Ramirez

(74) *Attorney, Agent, or Firm* — Brett A. Schenck

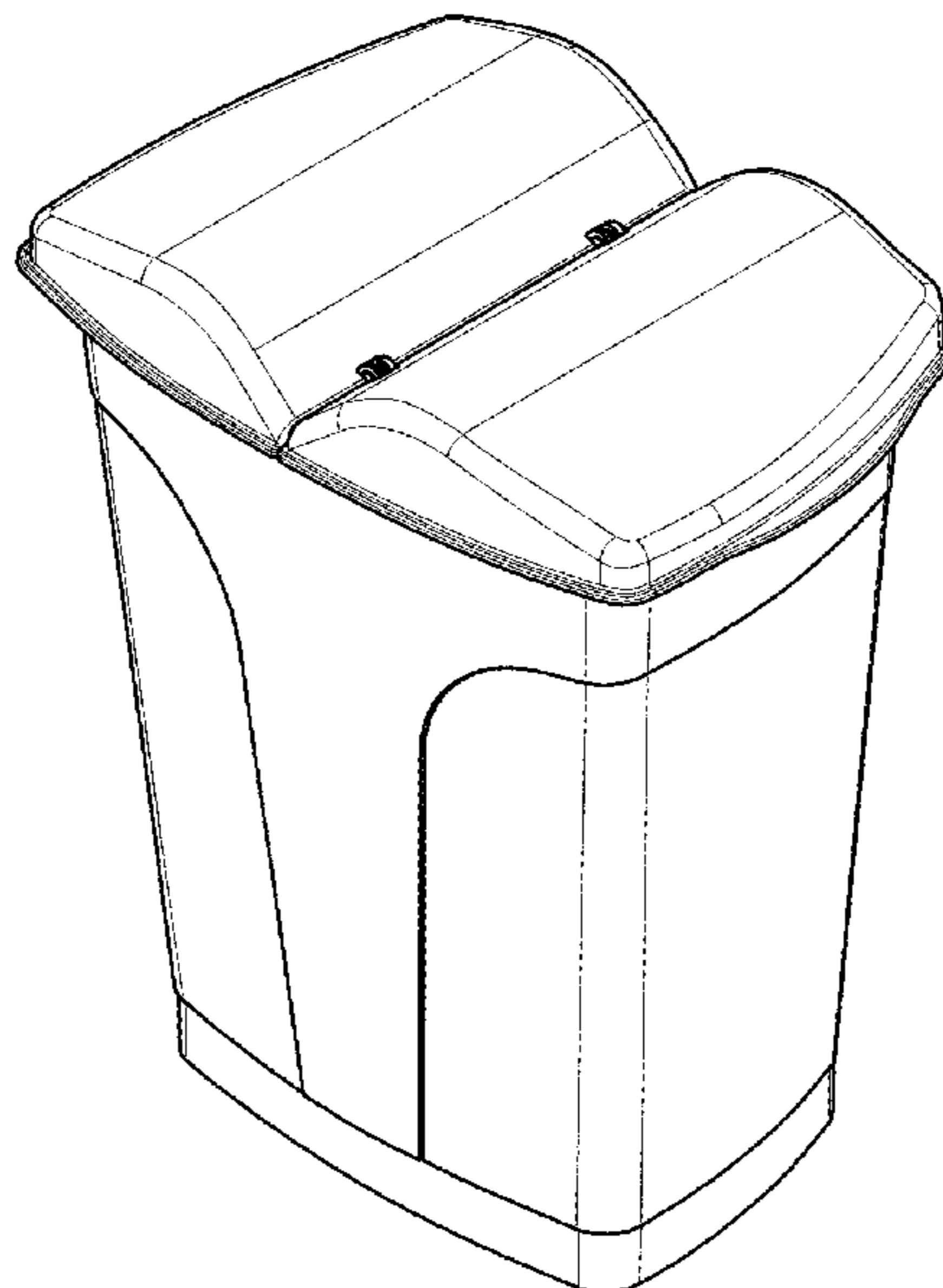
(57) **CLAIM**

I claim the ornamental design for a dual compartment container, substantially as shown and described.

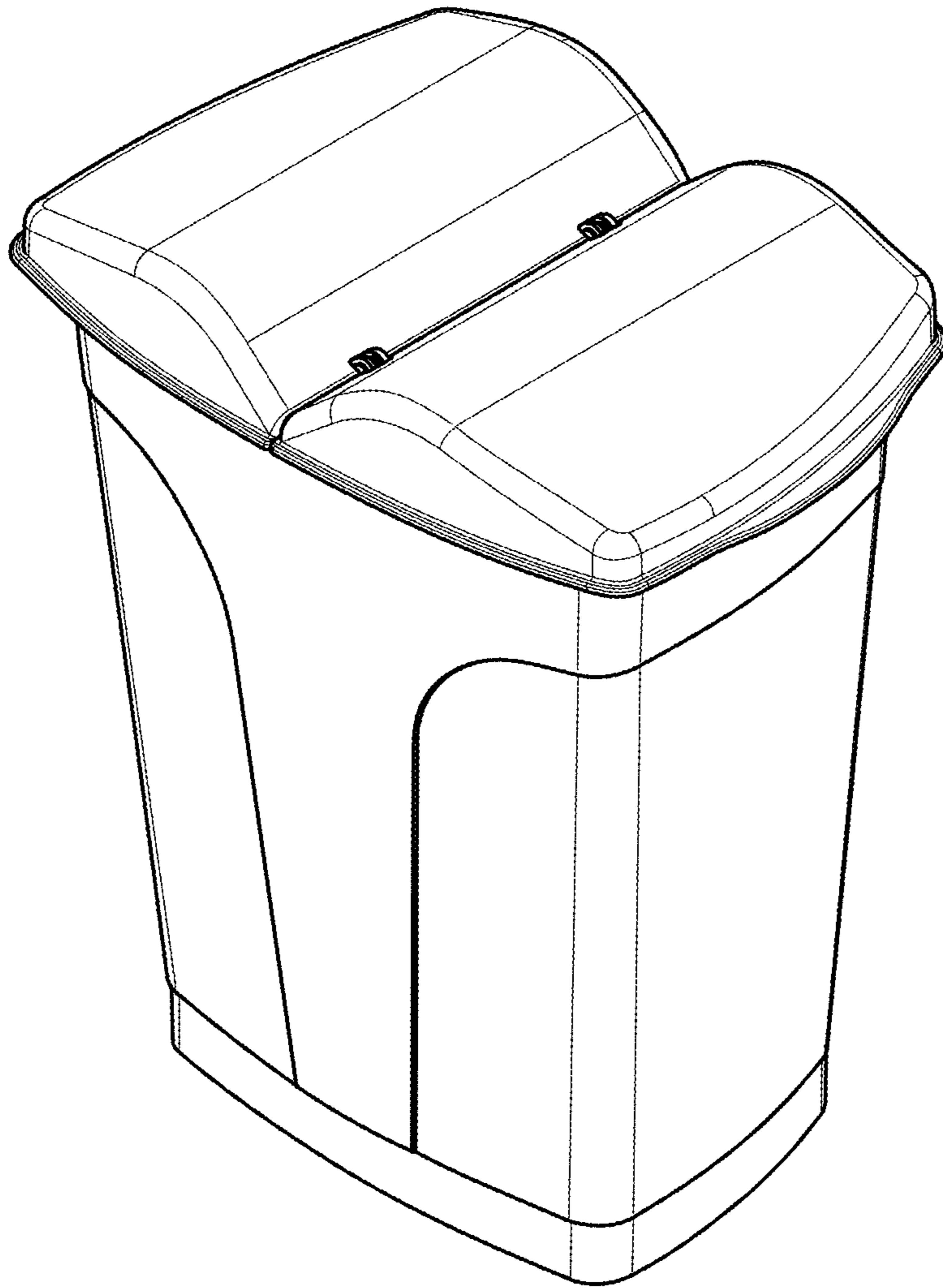
FIG. 1 is a top, perspective view of the dual compartment container; the view showing my new design;  
 FIG. 2 is a front, elevation view thereof;  
 FIG. 3 is a side, elevation view thereof;  
 FIG. 4 is a rear, elevation view thereof;  
 FIG. 5 is a top view thereof;  
 FIG. 6 is a bottom view thereof;  
 FIG. 7 is a bottom perspective view thereof;  
 FIG. 8 is a front, elevation view thereof; the view showing a lid in an open position;  
 FIG. 9 is a top, perspective view thereof; the view showing a lid in an open position;  
 FIG. 10 is a front, elevation view thereof; the view showing the lids removed from the container portion;  
 FIG. 11 is a top view thereof; the view showing the lids removed from the container portion;  
 FIG. 12 is a top, perspective view thereof; the view showing the lids removed from the container portion;  
 FIG. 13 is a front, elevation view thereof; the view showing a lid portion of my new design;  
 FIG. 14 is a side, elevation view thereof; the view showing a lid portion of my new design;  
 FIG. 15 is a side, elevation view thereof; the view showing a lid portion of my new design;  
 FIG. 16 is a rear, elevation view thereof; the view showing a lid portion of my new design;  
 FIG. 17 is top view thereof; the view showing a lid portion of my new design;  
 FIG. 18 is bottom view thereof; the view showing a lid portion of my new design;  
 FIG. 19 is top, perspective view thereof; the view showing a lid portion of my new design; and,  
 FIG. 20 is a cross section view taken from lines 20-20 in FIG. 5 thereof.

The lid and the container are shown separated in some of the figures to show aspects of the design that are not visible when combined.

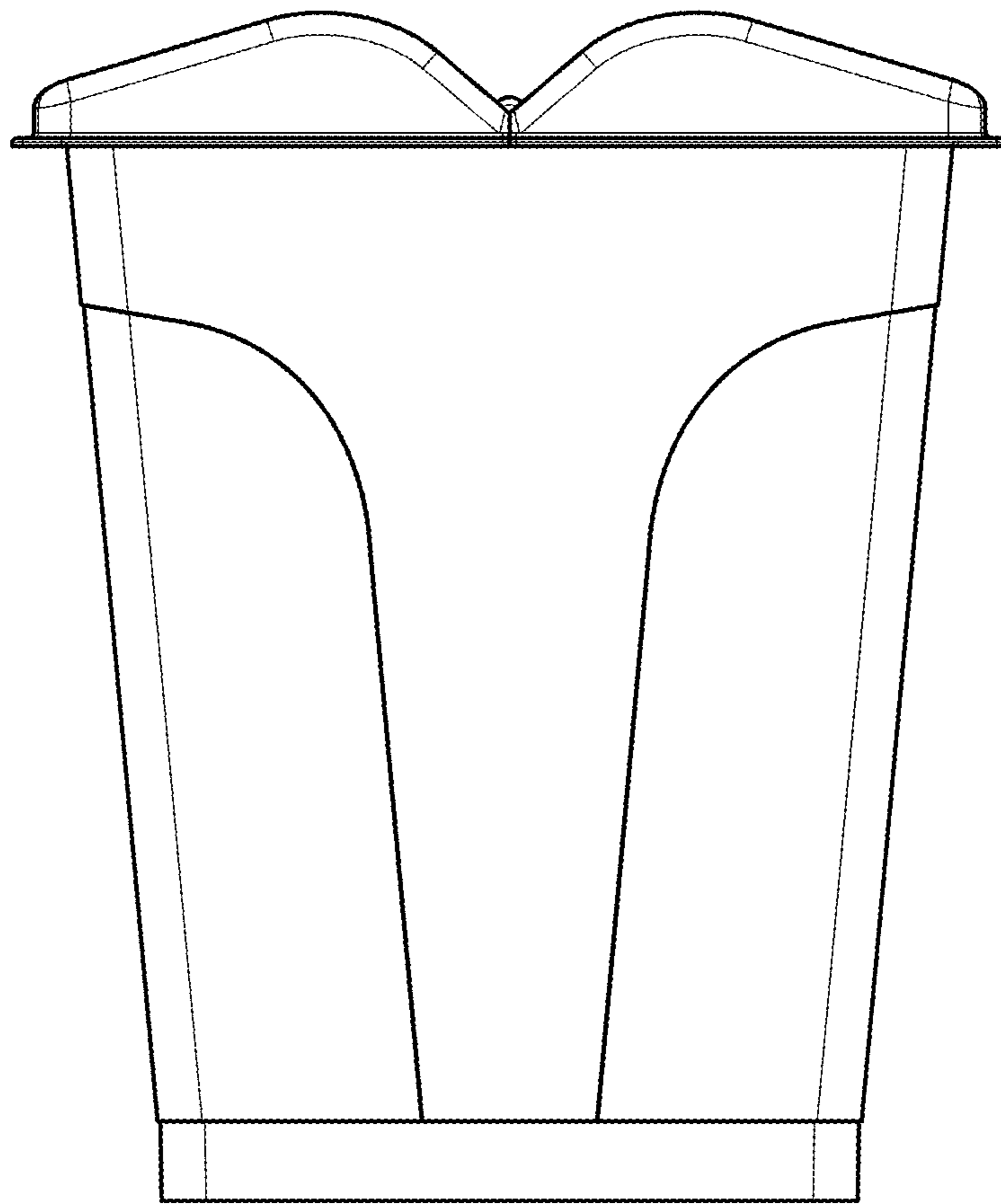
**1 Claim, 20 Drawing Sheets**



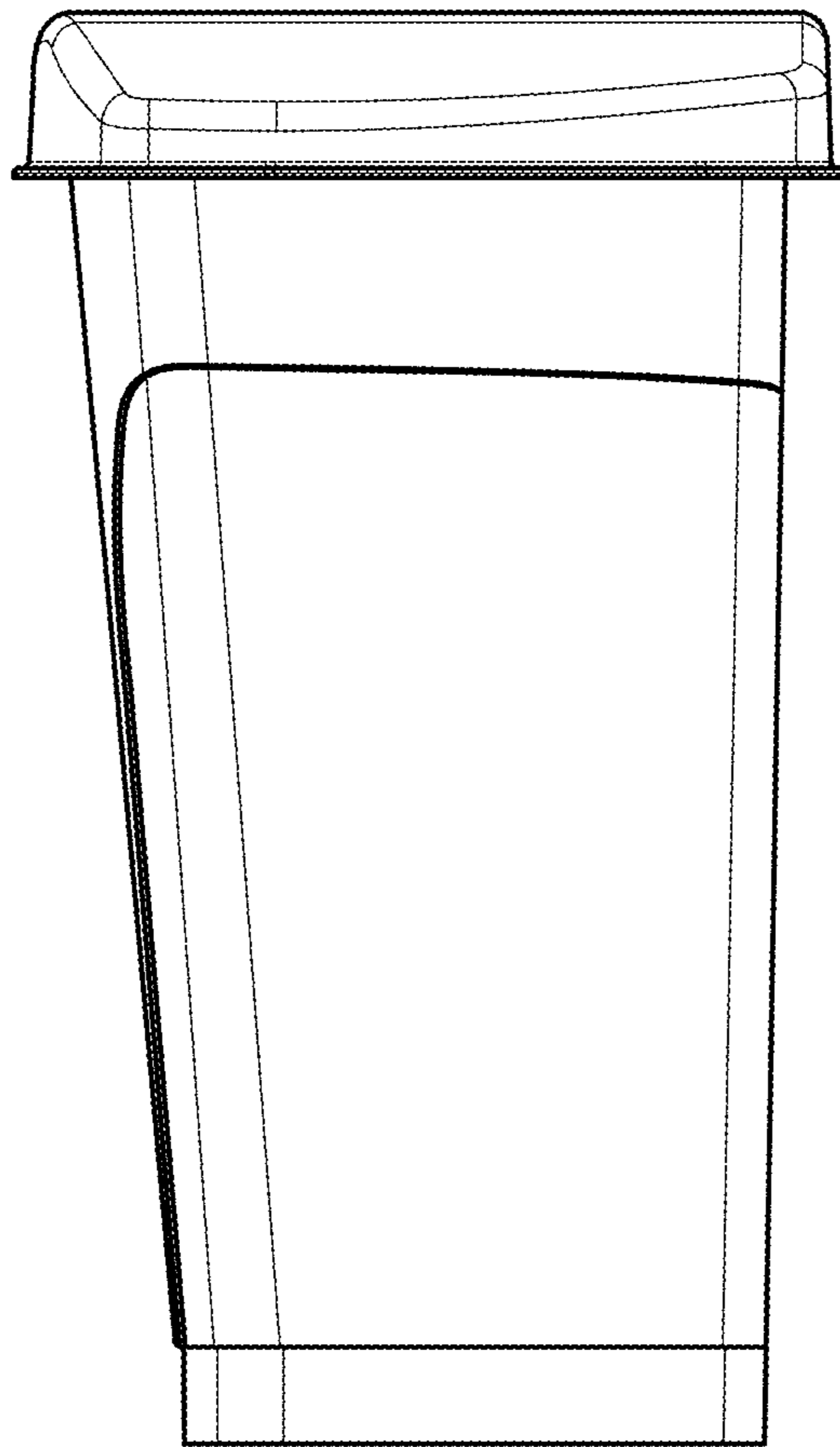




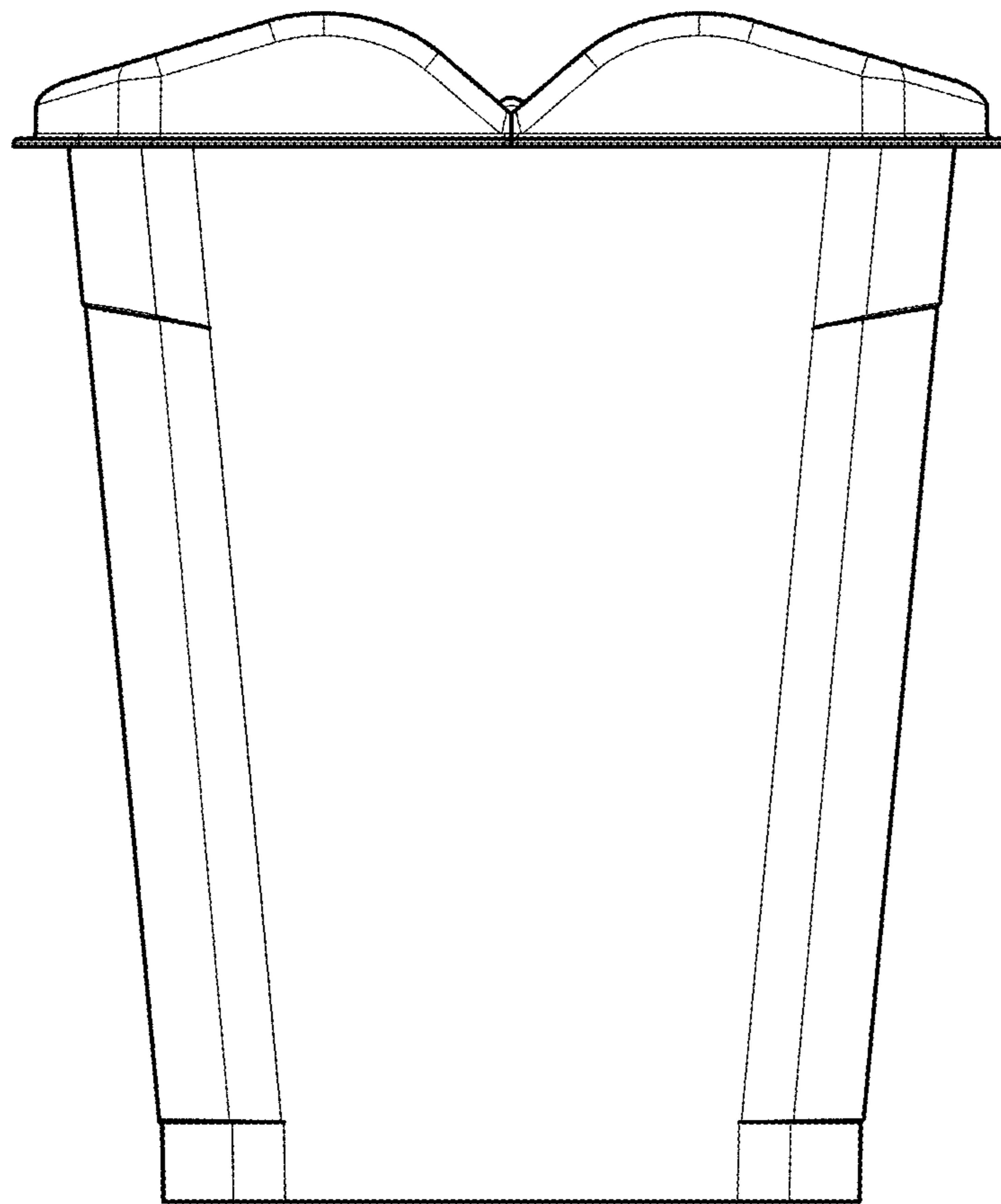
**FIG. 1**



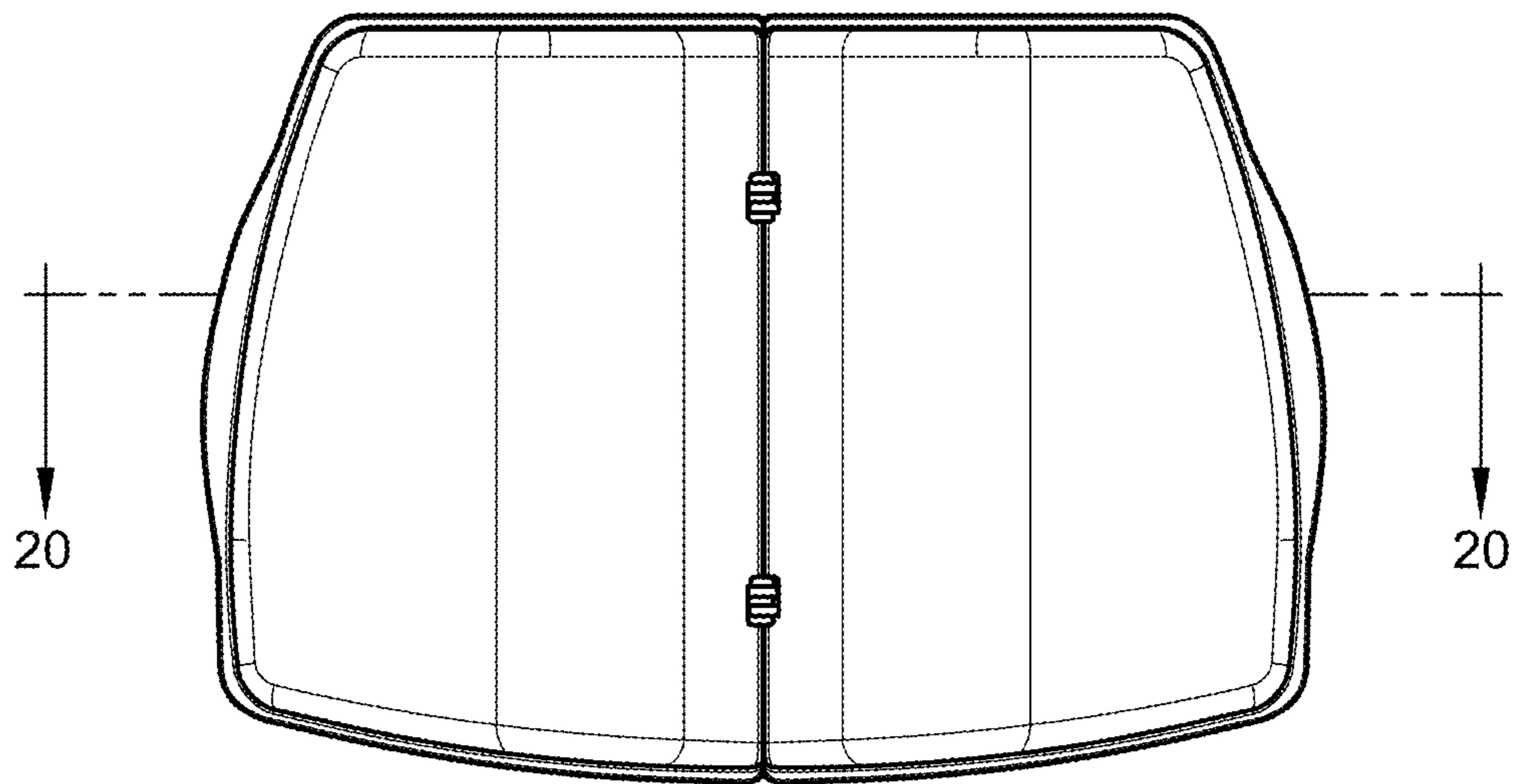
**FIG. 2**



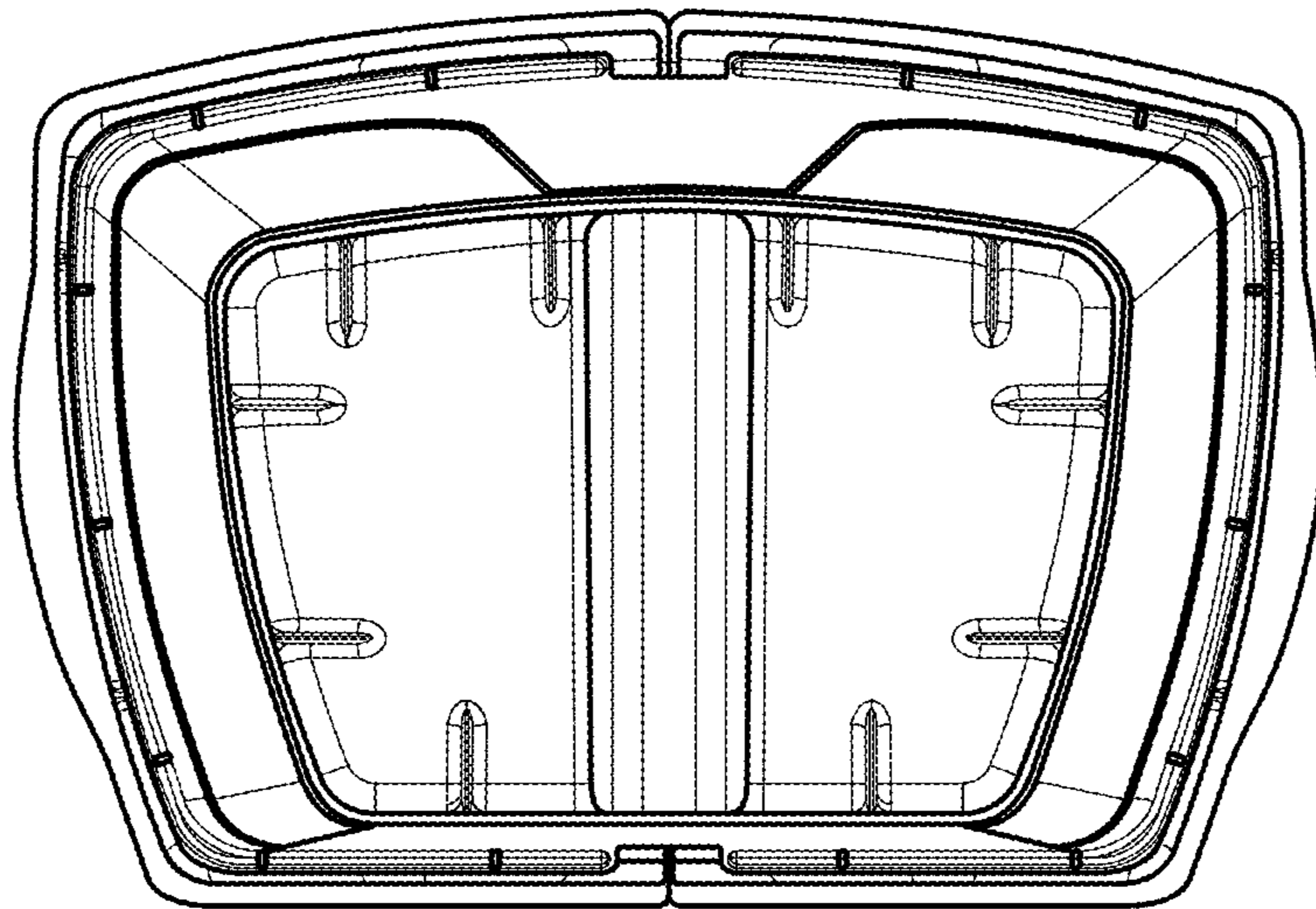
**FIG. 3**



**FIG. 4**

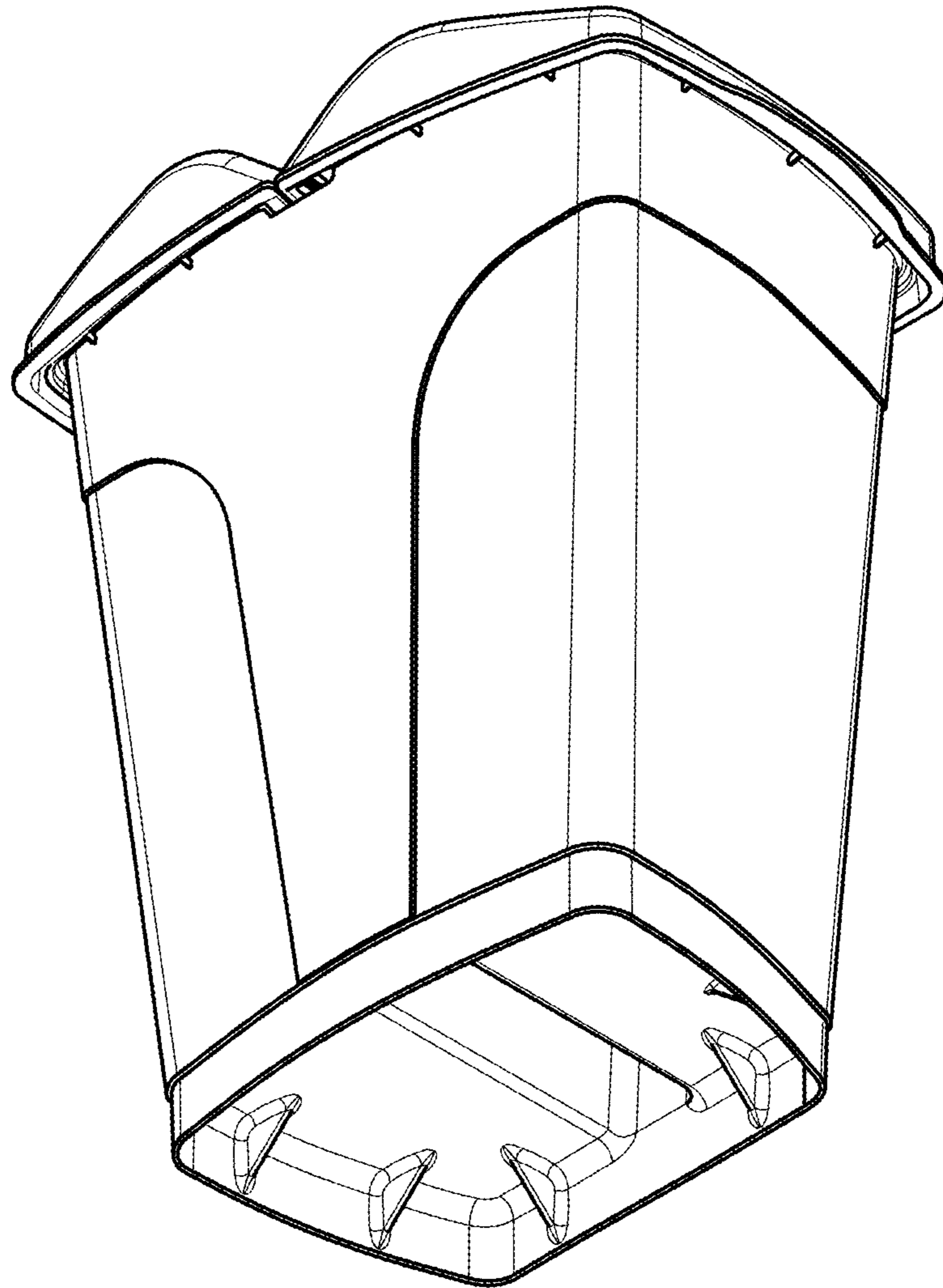


**FIG. 5**

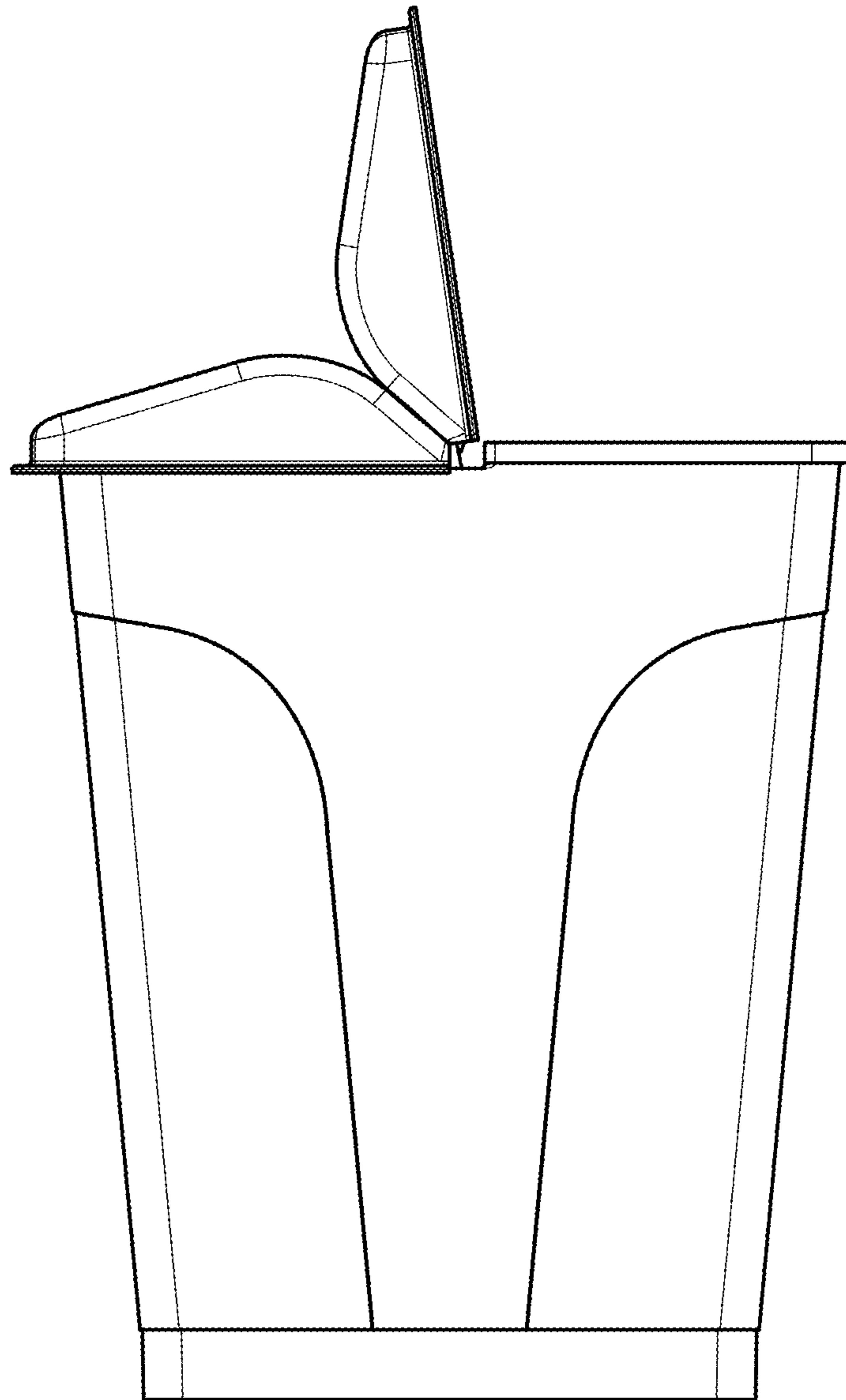


**FIG. 6**

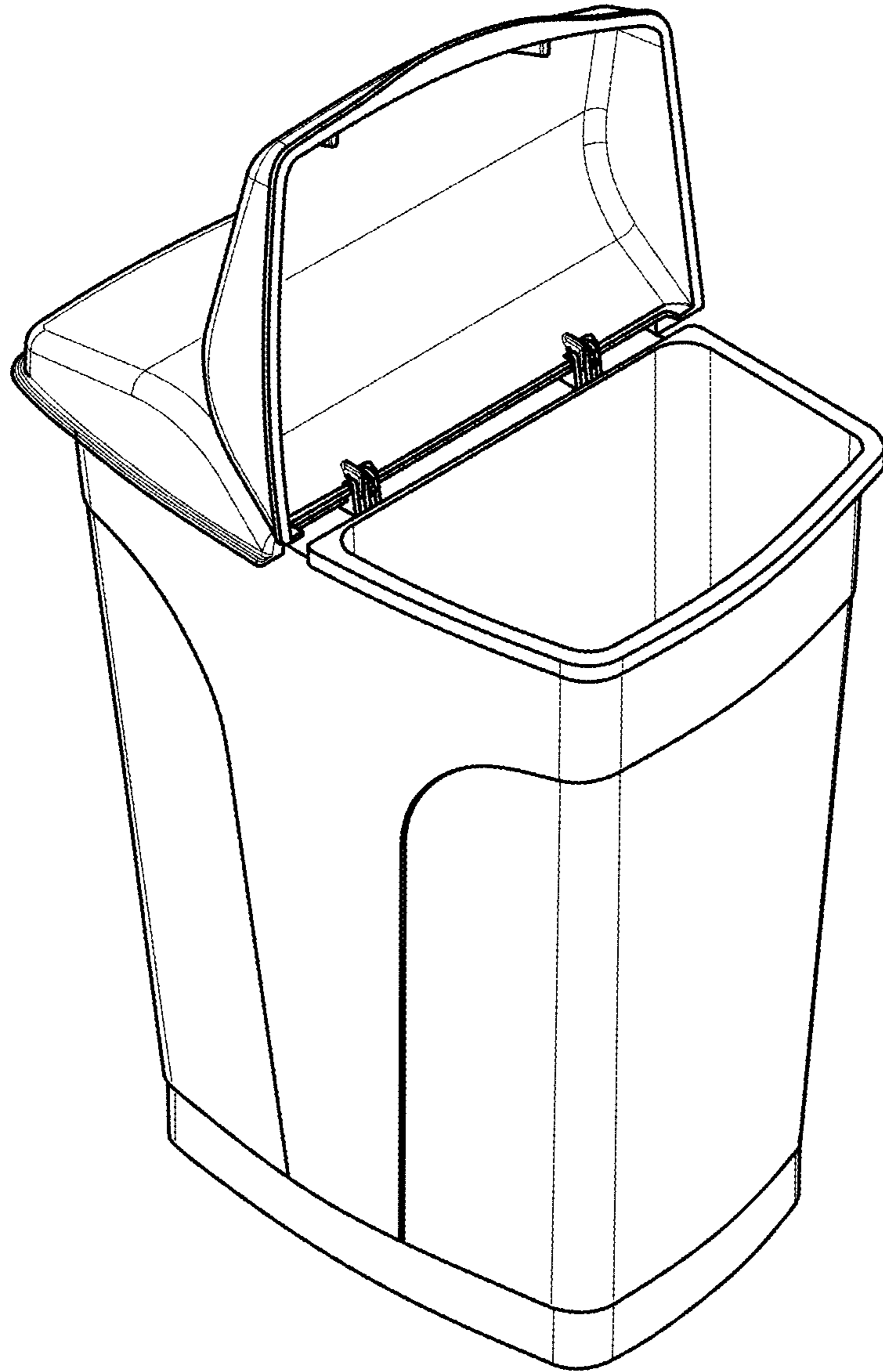




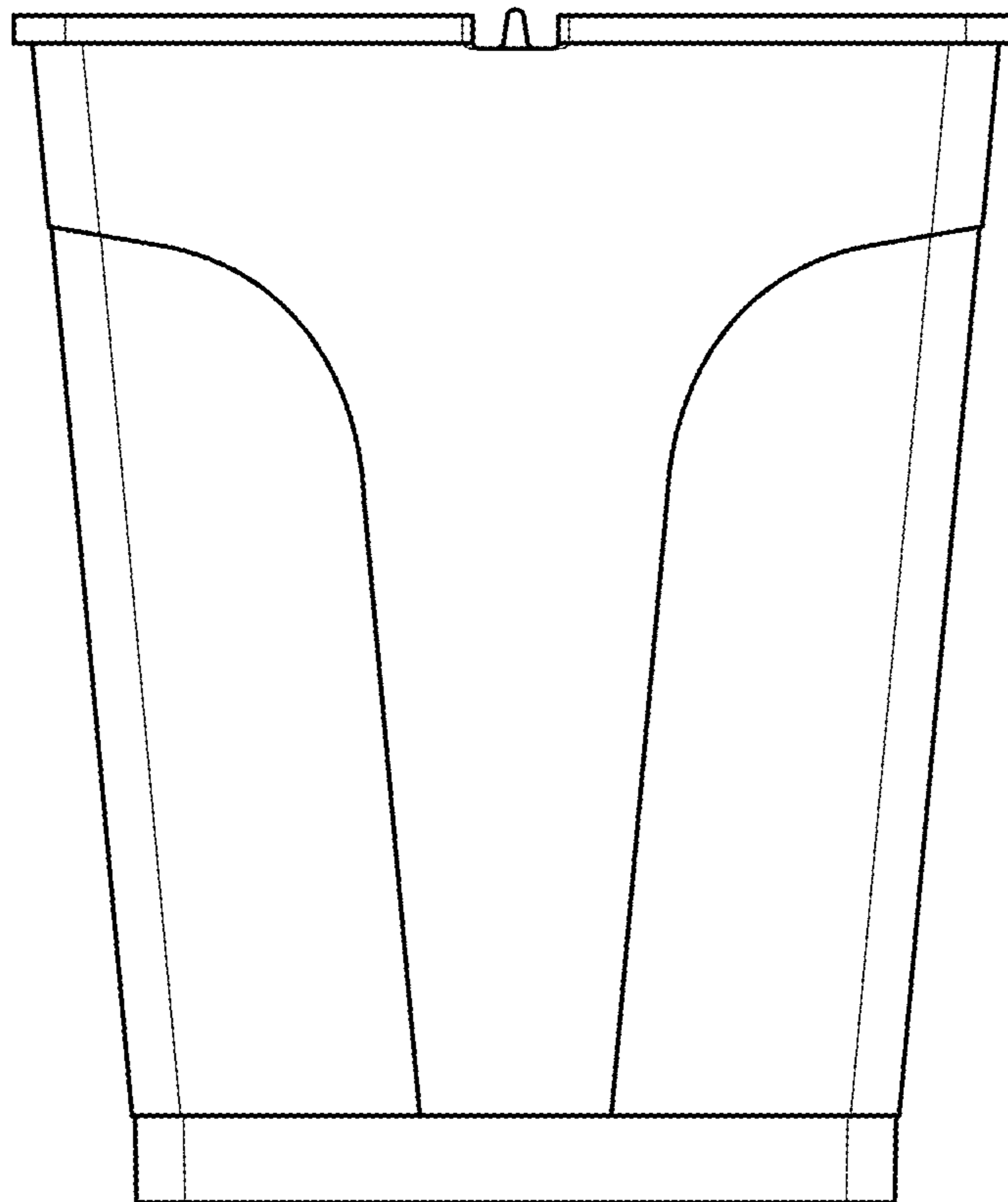
**FIG. 7**



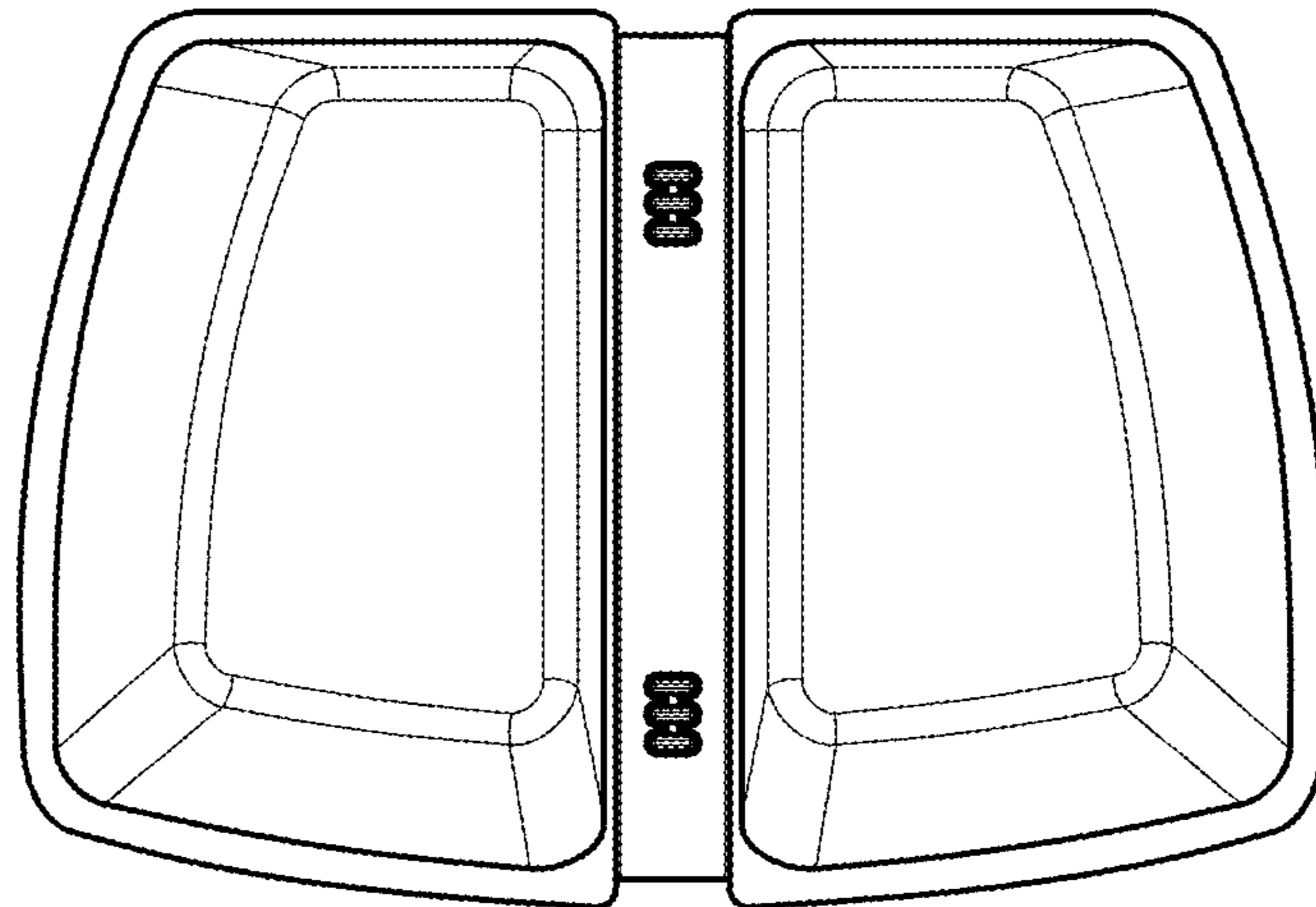
**FIG. 8**



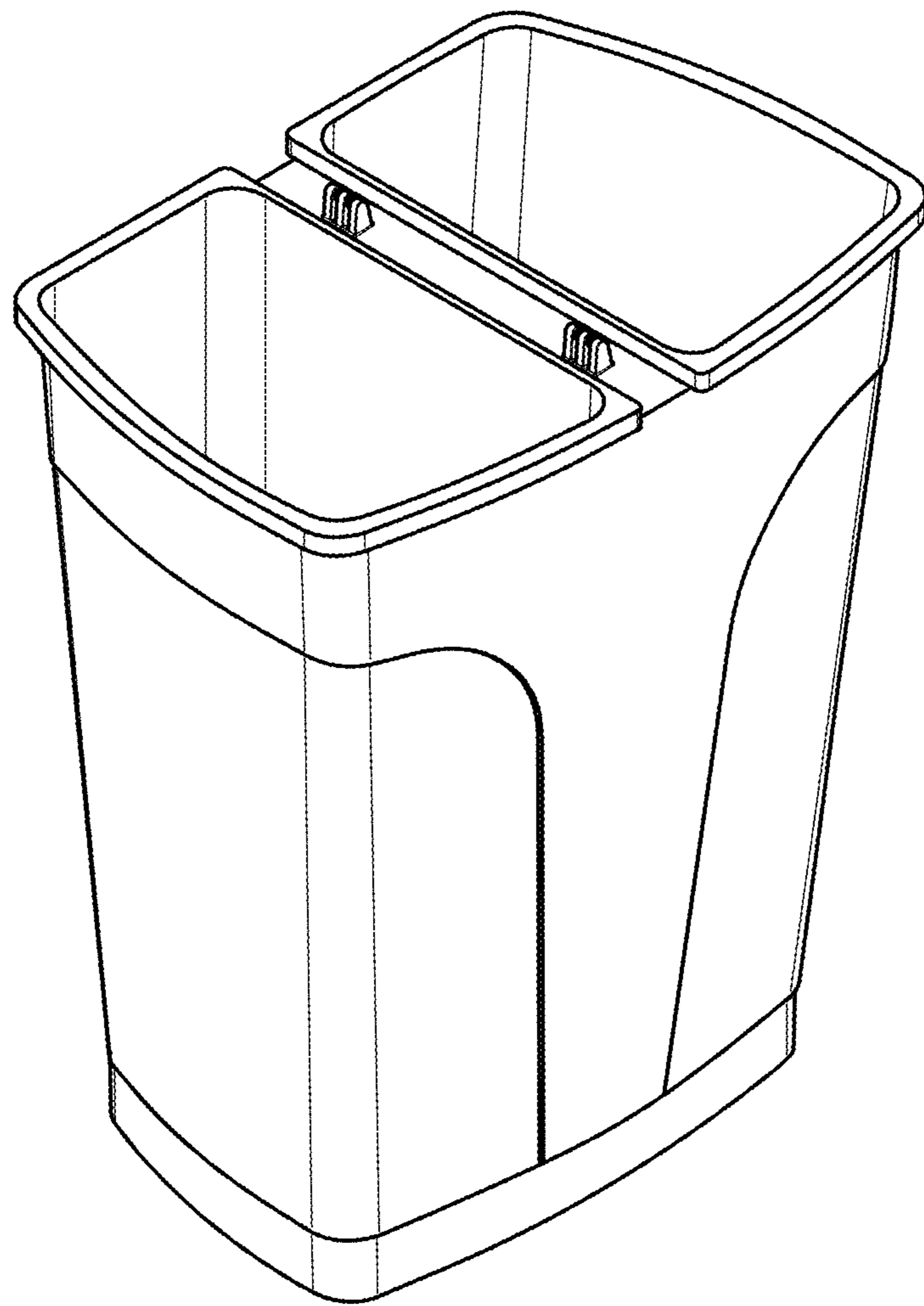
**FIG. 9**



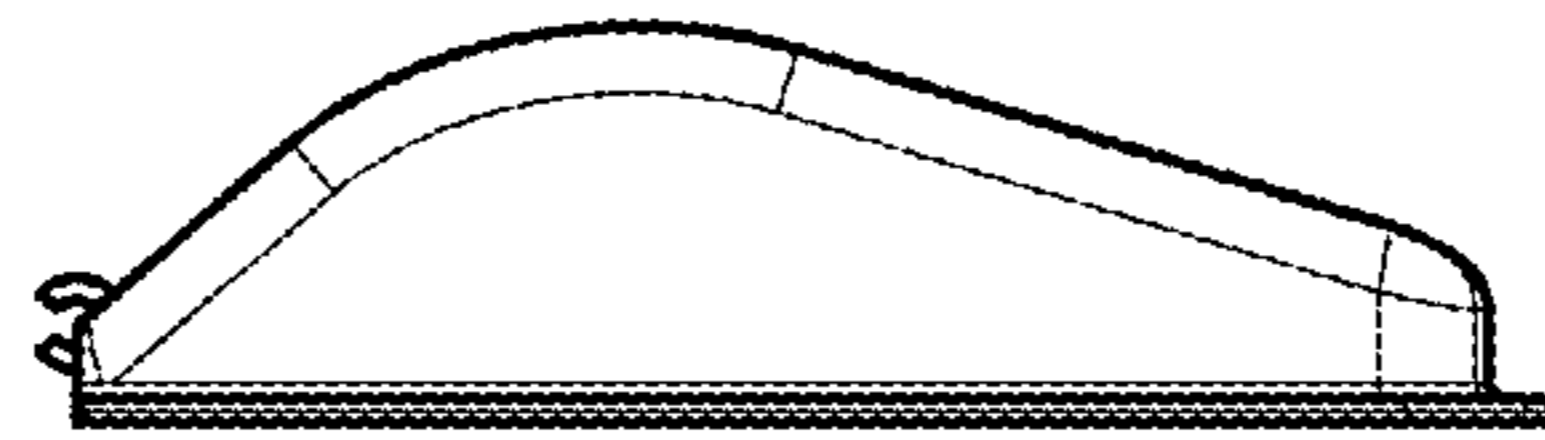
**FIG. 10**



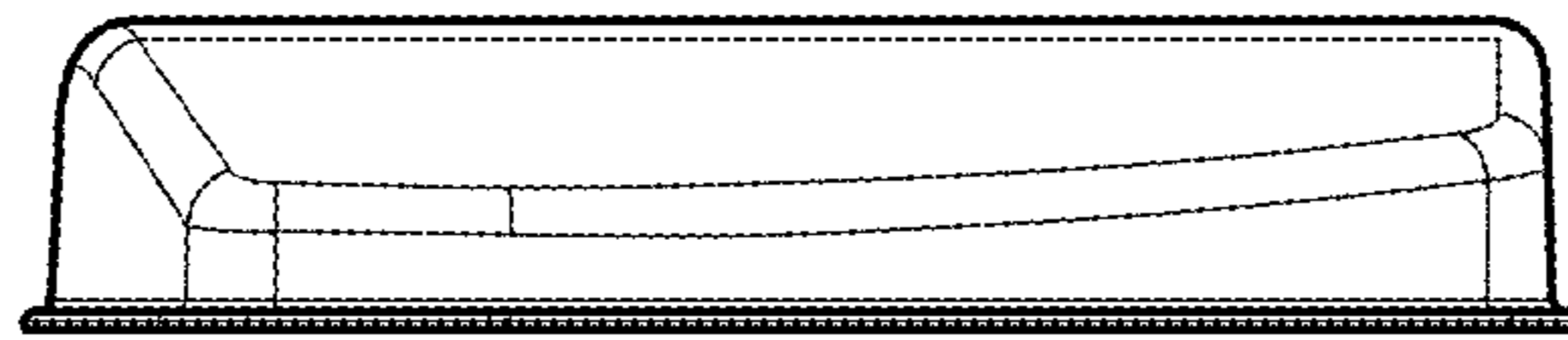
**FIG. 11**



**FIG. 12**

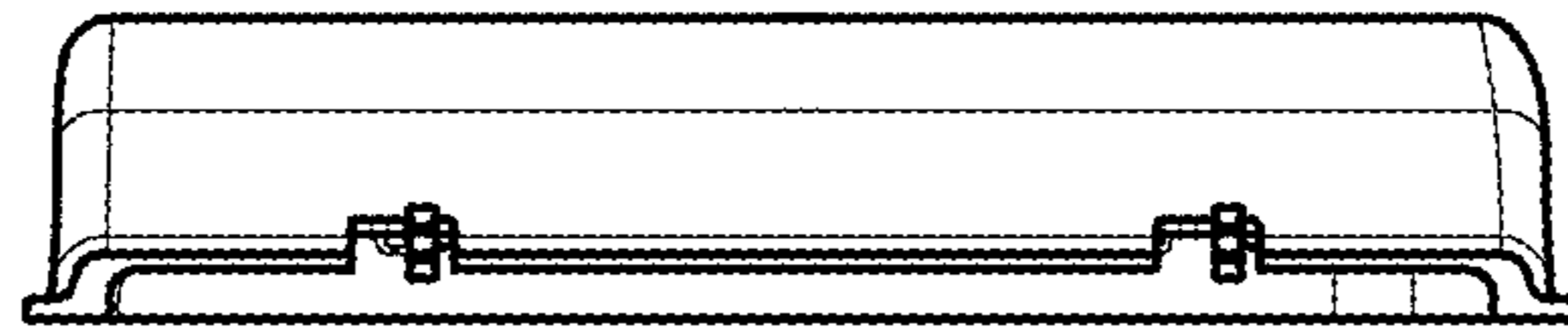


**FIG. 13**

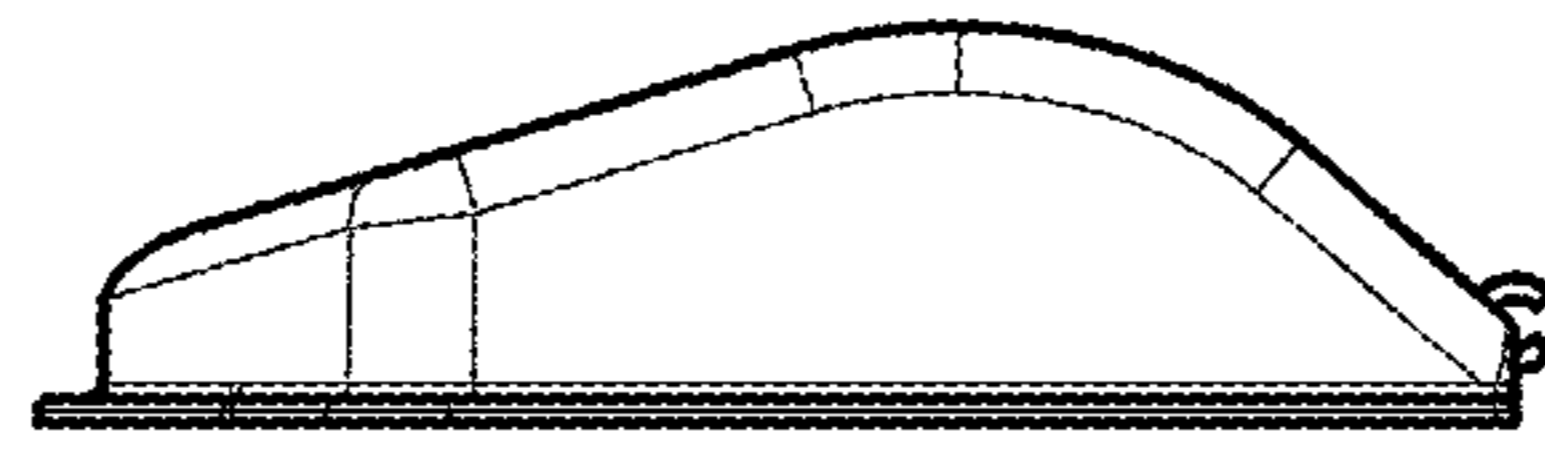


**FIG. 14**

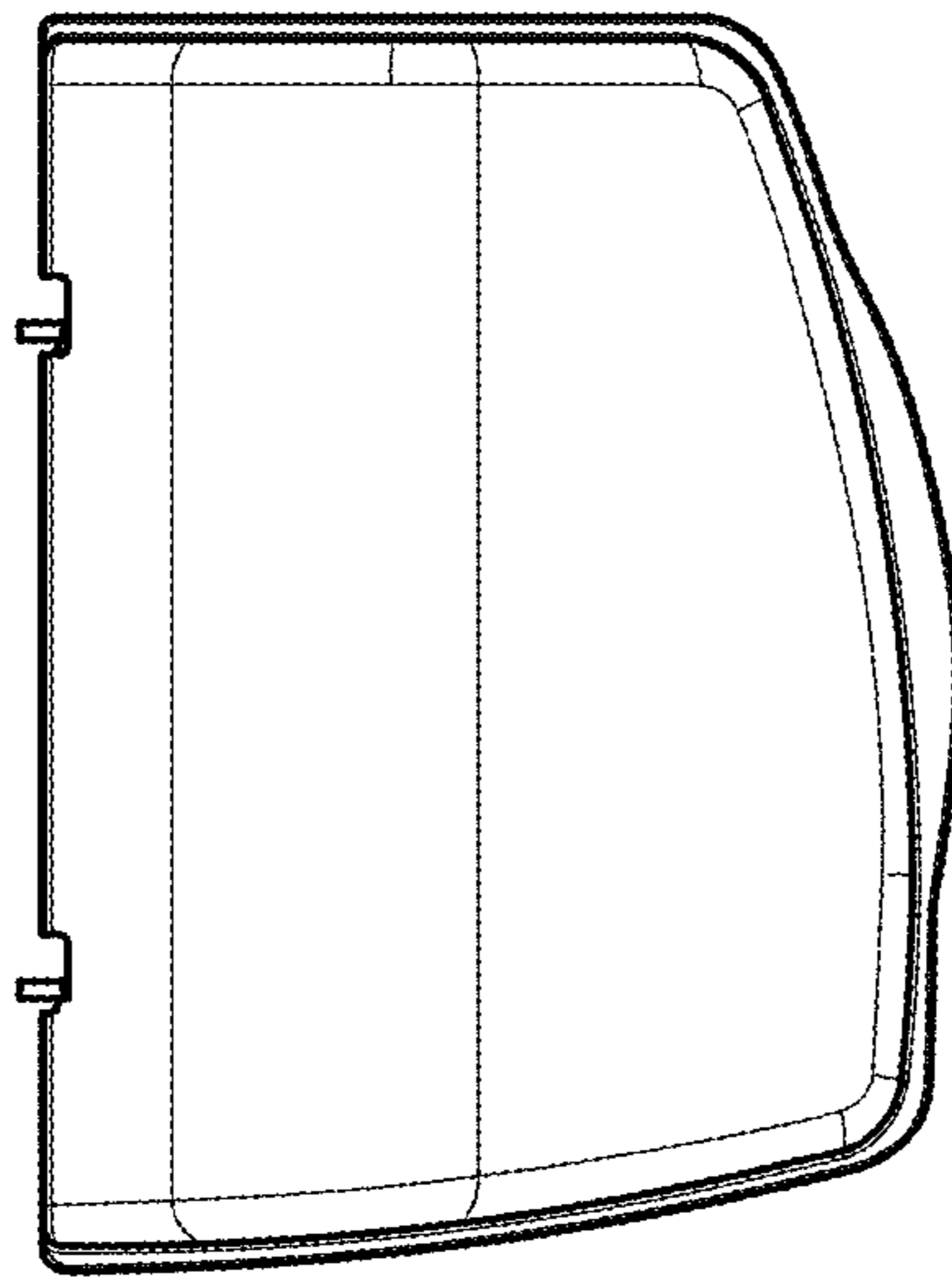




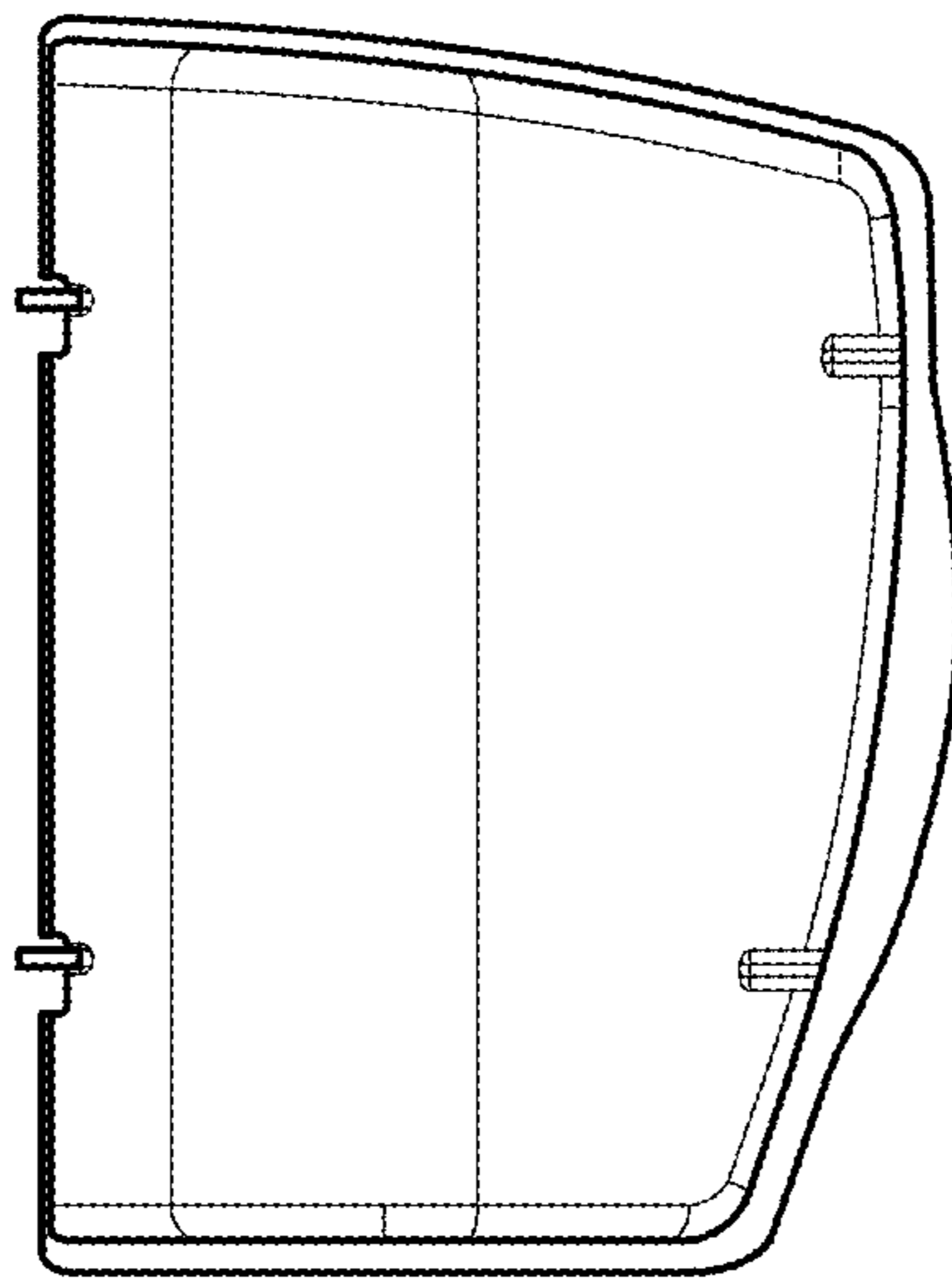
**FIG. 15**



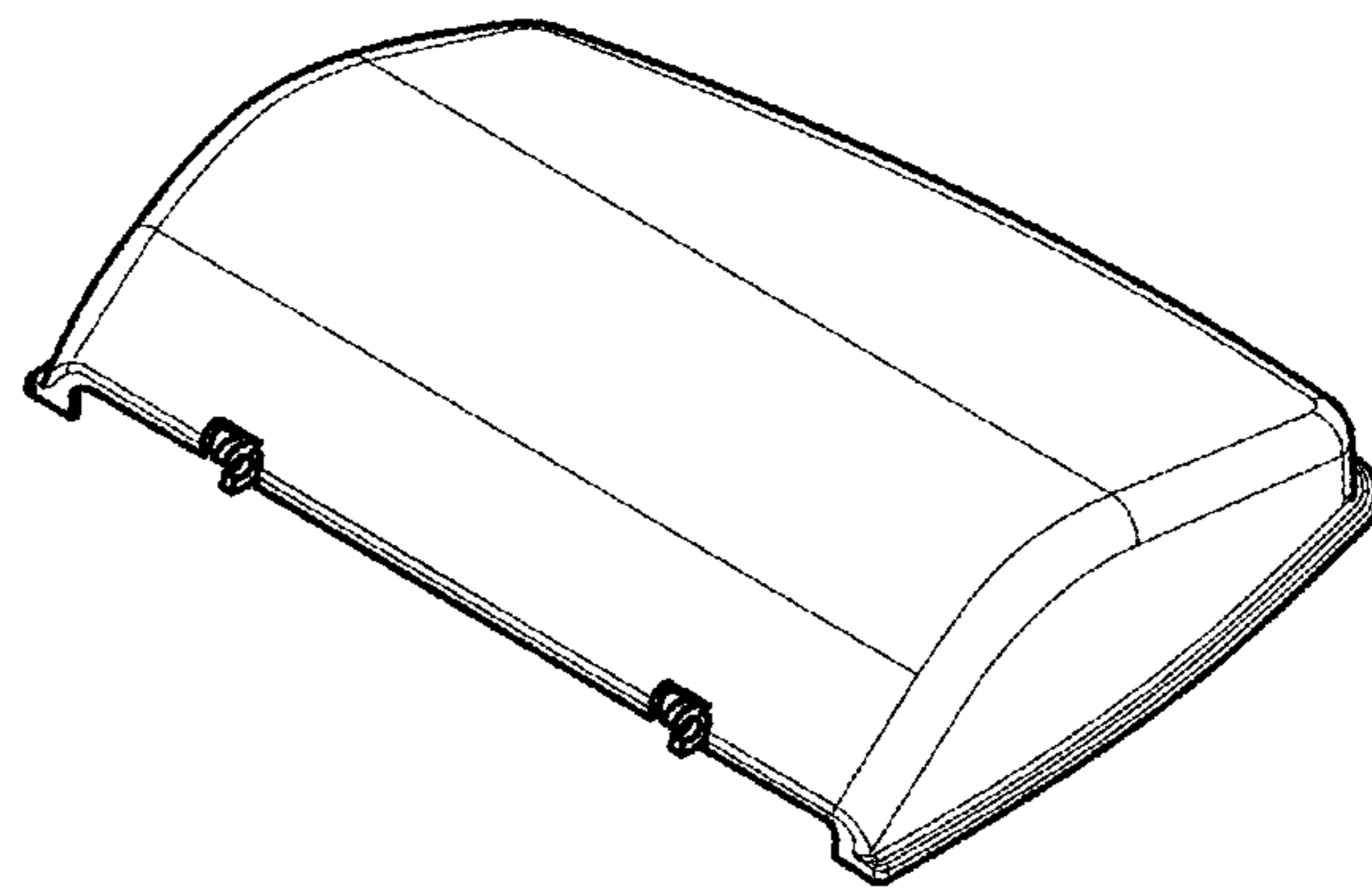
**FIG. 16**



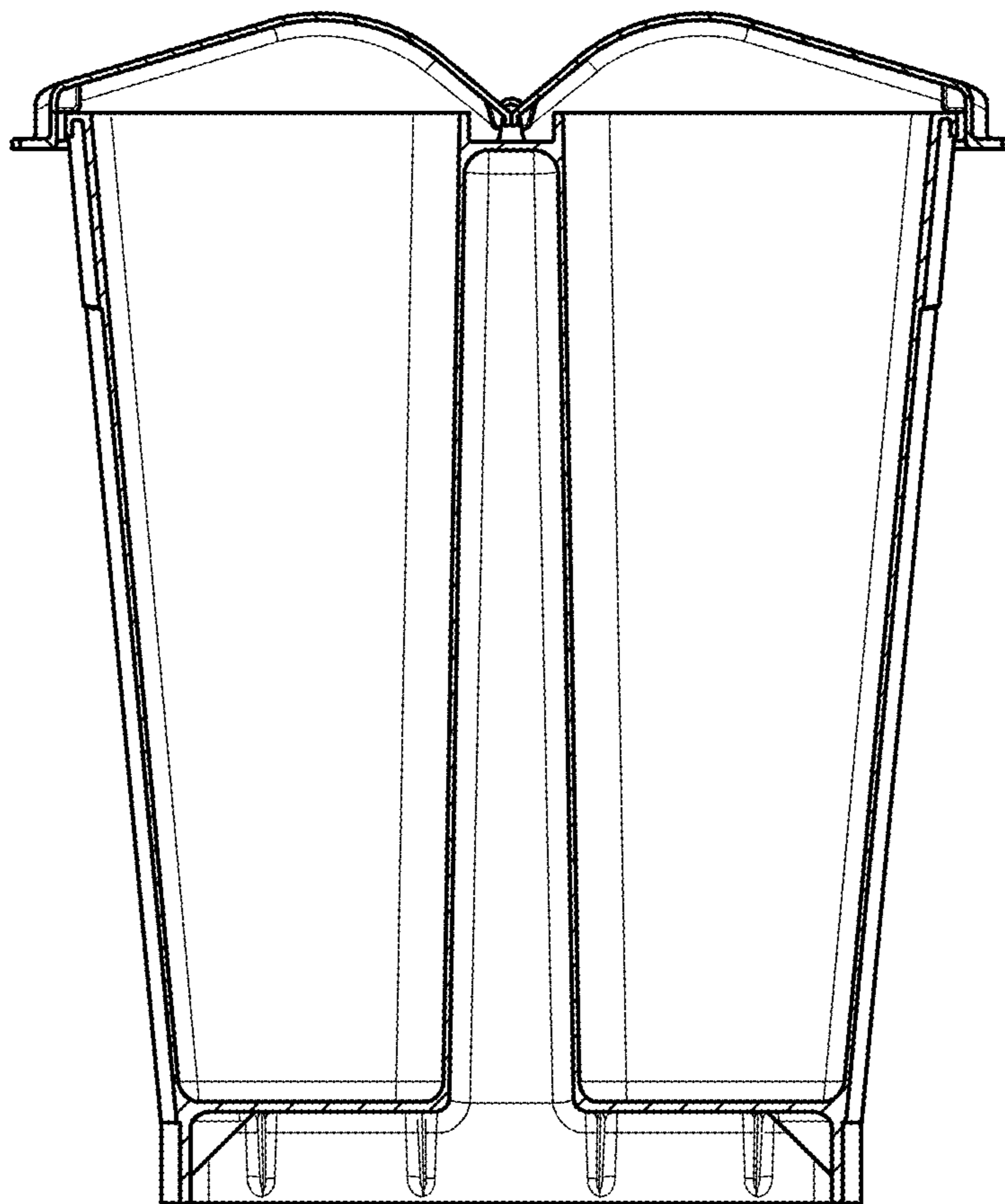
**FIG. 17**



**FIG. 18**



**FIG. 19**



**FIG. 20**