

US00D950878S

(12) **United States Design Patent**
Hsu

(10) **Patent No.:** **US D950,878 S**

(45) **Date of Patent:** **** May 3, 2022**

(54) **WASTE CONTAINER**

(71) Applicant: **L&F PLASTICS CO., LTD.**, Miaoli County (TW)

(72) Inventor: **Mu-Chuan Hsu**, Miaoli County (TW)

(73) Assignee: **L&F PLASTICS CO., LTD.**, Miaoli County (TW)

(**) Term: **15 Years**

(21) Appl. No.: **29/750,164**

(22) Filed: **Sep. 11, 2020**

(30) **Foreign Application Priority Data**

Mar. 12, 2020 (TW) 109301268

(51) **LOC (13) Cl.** **09-09**

(52) **U.S. Cl.**
USPC **D34/5**

(58) **Field of Classification Search**
USPC D34/5, 6
CPC B65F 1/06; B65F 1/067; B65F 1/1607;
B65F 1/163
See application file for complete search history.

(56) **References Cited**

U.S. PATENT DOCUMENTS

D281,284 S *	11/1985	Reuter	D34/5
D292,638 S *	11/1987	Carville	D34/5
4,836,394 A *	6/1989	Glomski	B65F 1/1646 220/263
D313,491 S *	1/1991	Edelhoff	D34/5
D323,912 S *	2/1992	Delmerico	D34/5
D347,095 S *	5/1994	Apps	D34/5
5,356,027 A *	10/1994	Craft	B65F 1/1646 16/257
D355,741 S *	2/1995	Craft	D34/1
D365,428 S *	12/1995	Prout	D34/5
D388,577 S *	12/1997	Rehrig	D34/5
D398,120 S *	9/1998	Rehrig	D34/5

D416,367 S *	11/1999	Dickinson	D34/5
D445,228 S *	7/2001	Apps	D34/25
6,276,557 B1 *	8/2001	Wysocki	B65F 1/02 220/608
D471,336 S *	3/2003	Tuduri	D34/5
7,114,631 B2 *	10/2006	Aiken	B65F 1/1468 220/766

(Continued)

FOREIGN PATENT DOCUMENTS

EP 1323646 A1 * 7/2003 B65F 1/122

OTHER PUBLICATIONS

Home Depot.com, Google search Jan. 5, 2022, 50 Gal. Blue Rolling Trash Can with attached lid, <https://www.homedepot.com/p/Carlisle-50-Gal-Blue-Rolling-Trash-Can-with-Attached-Lid-2-Pack-34505014/203883691> (Year: 2022).*

(Continued)

Primary Examiner — Cynthia Ramirez
(74) *Attorney, Agent, or Firm* — Mayer & Williams PC

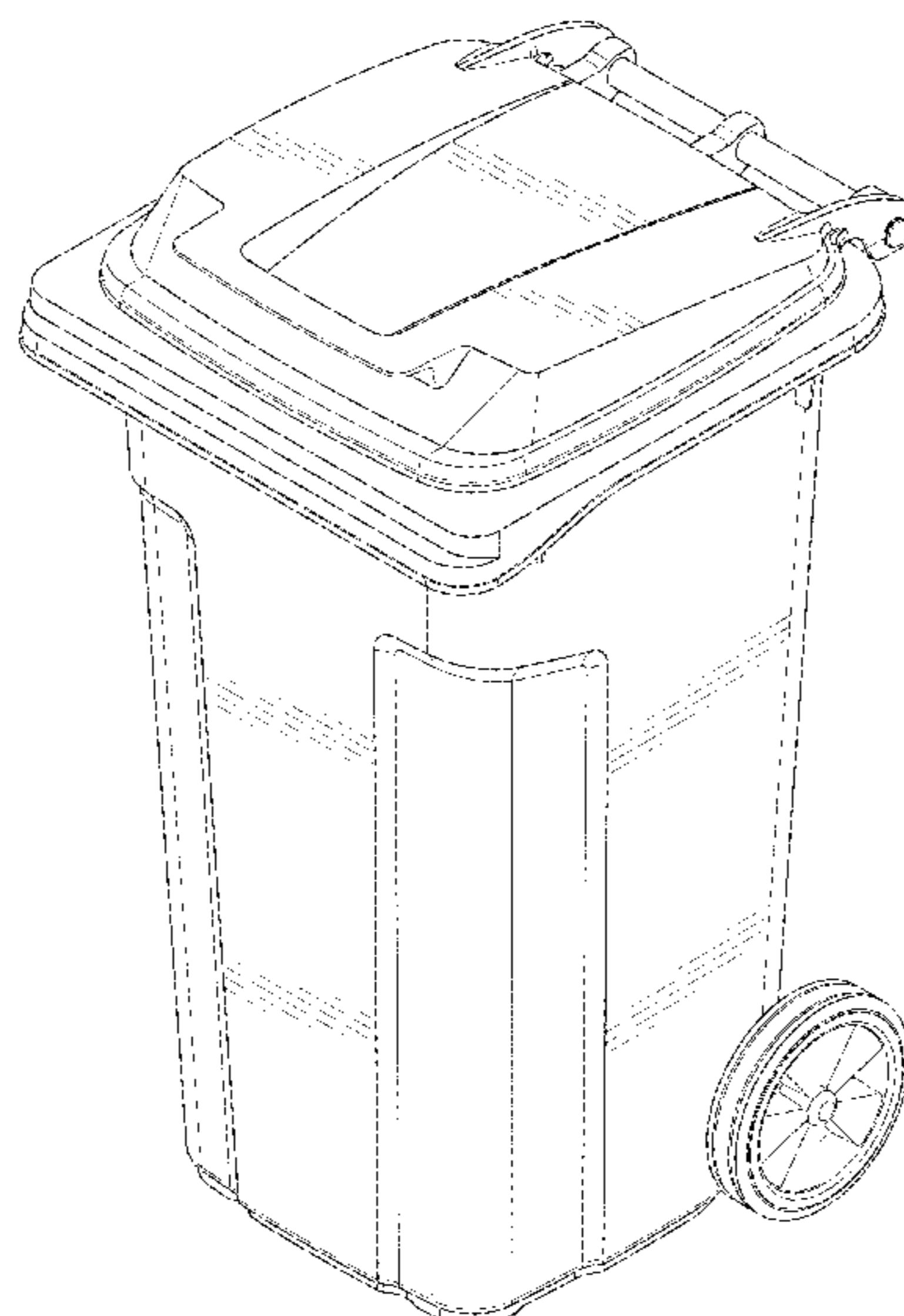
(57) **CLAIM**

The ornamental design for a waste container, as shown and described.

DESCRIPTION

FIG. 1 illustrates a front perspective view of a waste container showing my new design; FIG. 2 illustrates a front elevational view thereof; FIG. 3 illustrates a rear elevational view thereof; FIG. 4 illustrates a right side elevational view thereof and the left side view being a mirror image of the right side; FIG. 5 illustrates a top plan view thereof; and, FIG. 6 illustrates a bottom plan view thereof. The broken lines shown throughout the views depict unclaimed portions of the waste container and form no part of the claimed design.

1 Claim, 6 Drawing Sheets



(56)

References Cited

U.S. PATENT DOCUMENTS

D535,448 S * 1/2007 Kilduff D34/5
 D568,022 S * 4/2008 Bureau D34/5
 D577,170 S * 9/2008 Meers D34/5
 D594,169 S * 6/2009 Connor D34/5
 D624,723 S * 9/2010 Raghunathan D34/5
 D634,912 S * 3/2011 Pouliot D34/11
 D641,121 S * 7/2011 Rampton D34/5
 D643,174 S * 8/2011 Raghunathan D34/5
 8,096,565 B2 * 1/2012 Meers B65F 1/122
 280/47.26
 D657,106 S * 4/2012 Talbot Pouliot D34/5
 8,146,774 B2 * 4/2012 Parker B65F 1/1468
 220/757
 8,366,156 B2 * 2/2013 Mercier B65F 1/16
 292/80
 8,424,714 B2 * 4/2013 Kruse B65F 1/122
 220/756
 8,430,267 B2 * 4/2013 Kilduff B65F 1/122
 220/770
 8,720,686 B1 * 5/2014 Shuman B65F 1/14
 206/459.1
 D707,905 S * 6/2014 Nolet D34/5
 D707,906 S * 6/2014 Nolet D34/5
 D707,907 S * 6/2014 Nolet D34/5
 D707,908 S * 6/2014 Nolet D34/5
 D753,364 S * 4/2016 Labrecque D34/5
 D771,893 S * 11/2016 Del Rosario Roy D34/5
 D789,012 S * 6/2017 Labrecque D34/5

D796,765 S * 9/2017 Uffner D34/5
 D827,967 S * 9/2018 Foster D34/5
 D832,548 S * 10/2018 Labrecque D34/10
 D853,114 S * 7/2019 Connor D3/279
 D868,410 S * 11/2019 Schwalbach D34/5
 D919,220 S * 5/2021 Schwalbach D34/5
 D924,521 S * 7/2021 Erlich D34/5
 D936,321 S * 11/2021 Foster D34/5
 2003/0213808 A1 * 11/2003 Berger B65F 1/1473
 220/832
 2004/0074913 A1 * 4/2004 McDade B65F 1/04
 220/23.87
 2004/0206759 A1 * 10/2004 Busch B65F 1/1615
 220/315
 2013/0119625 A1 * 5/2013 Foster B65F 1/14
 280/43
 2015/0053706 A1 * 2/2015 Nolet B65F 1/12
 220/759
 2018/0304911 A1 * 10/2018 Labrecque B62B 1/12
 2019/0202633 A1 * 7/2019 Cohan B65F 1/163
 2019/0382199 A1 * 12/2019 Nolet B65F 1/1452
 2021/0061556 A1 * 3/2021 Miller B65F 1/1473

OTHER PUBLICATIONS

Lowe's.com, Google search Jan. 5, 2022, Blue Hawk 32 gallon black plastic wheeled trash can with lid, <https://www.lowes.com/pd/Blue-Hawk-32-Gallon-Black-Plastic-Wheeled-Trash-Can-with-Lid/1001429702> (Year: 2022).*

* cited by examiner

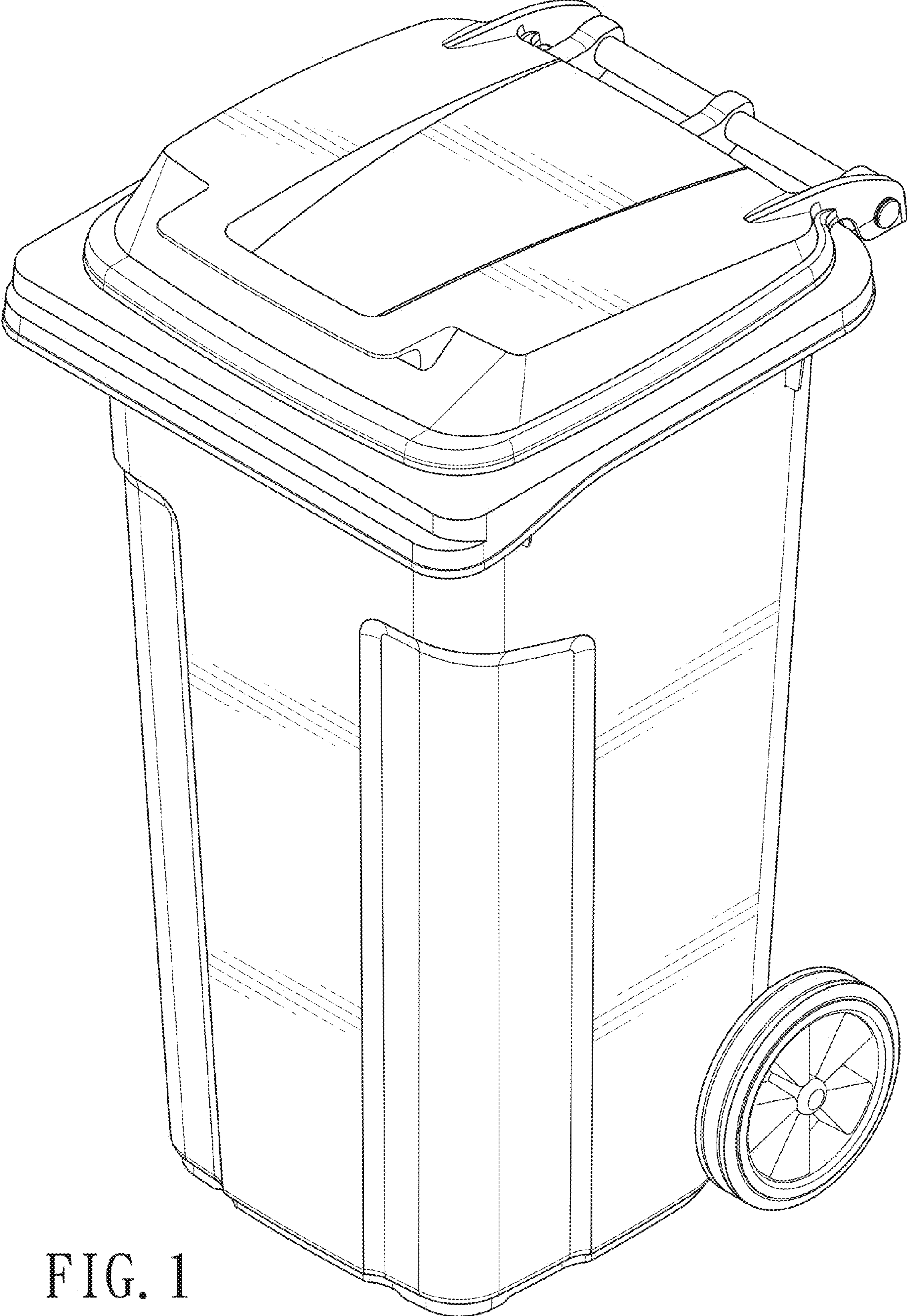


FIG. 1

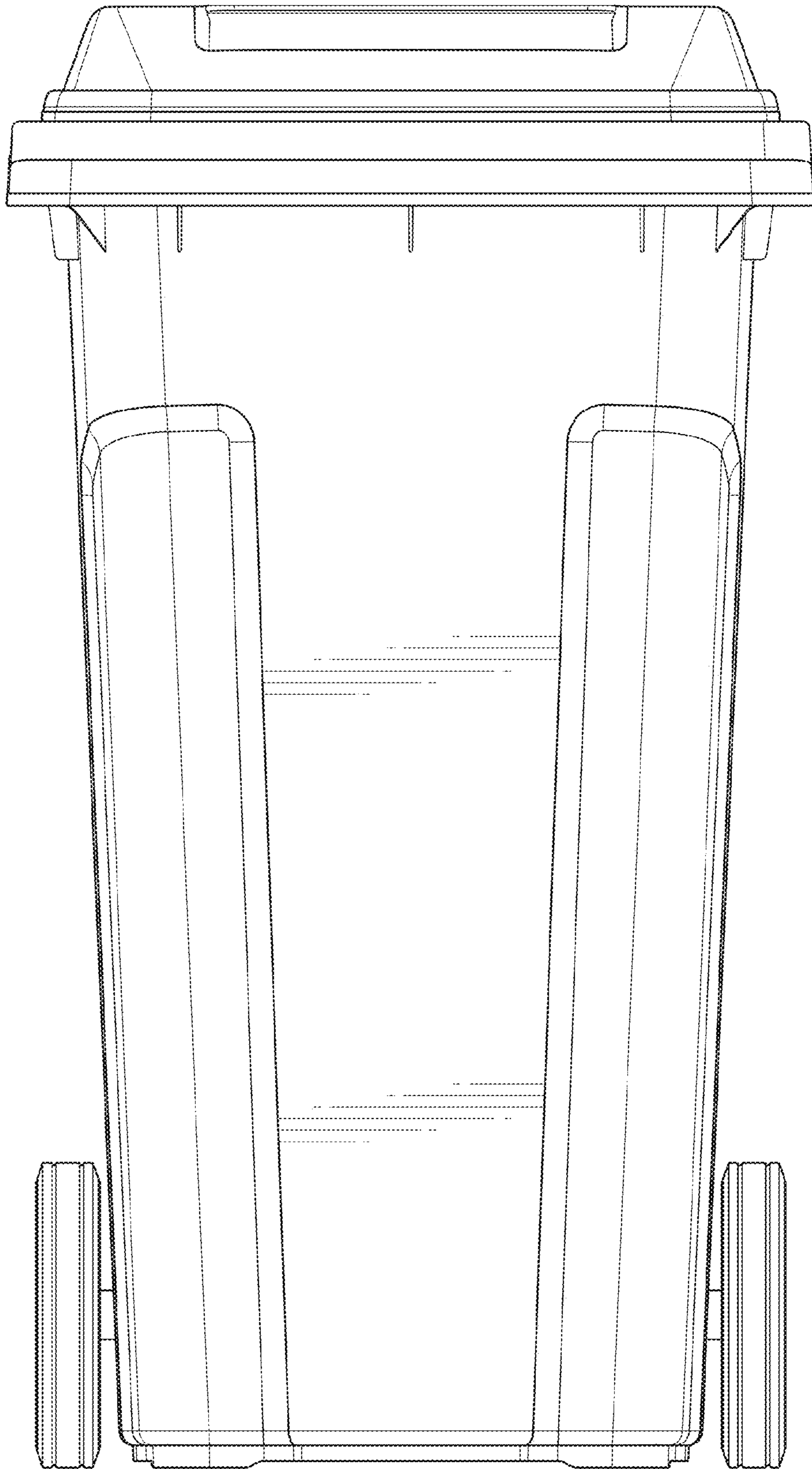


FIG. 2

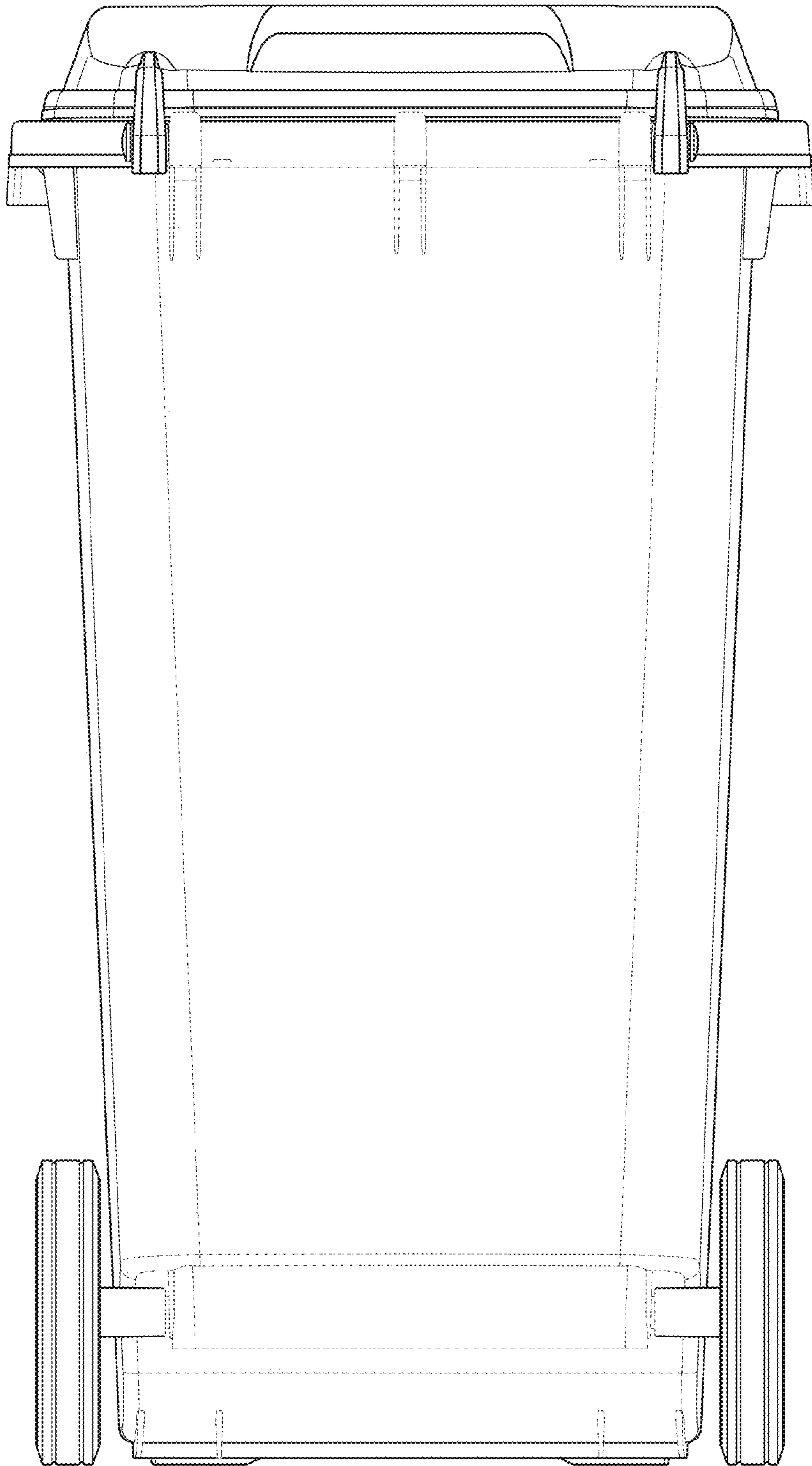


FIG. 3

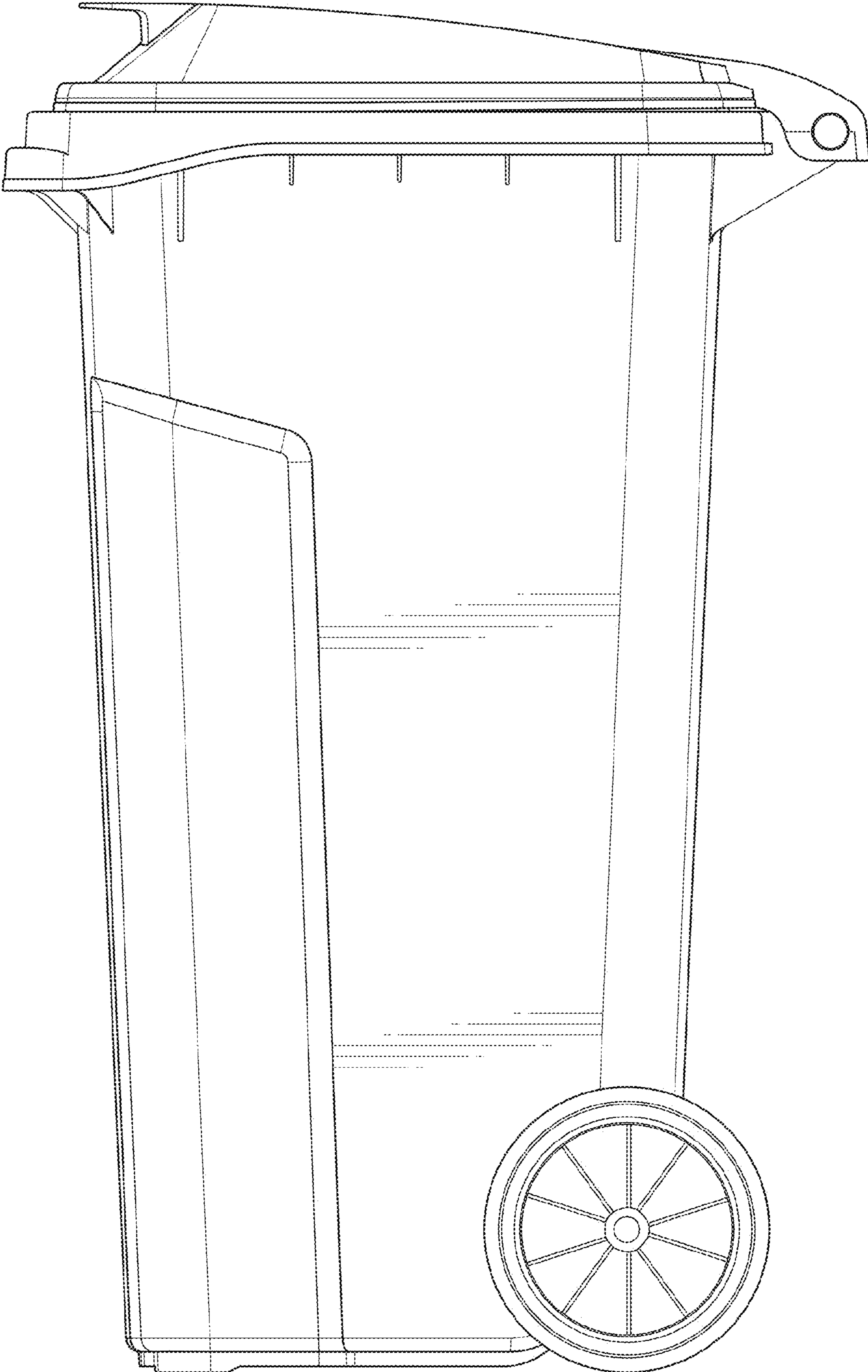


FIG. 4

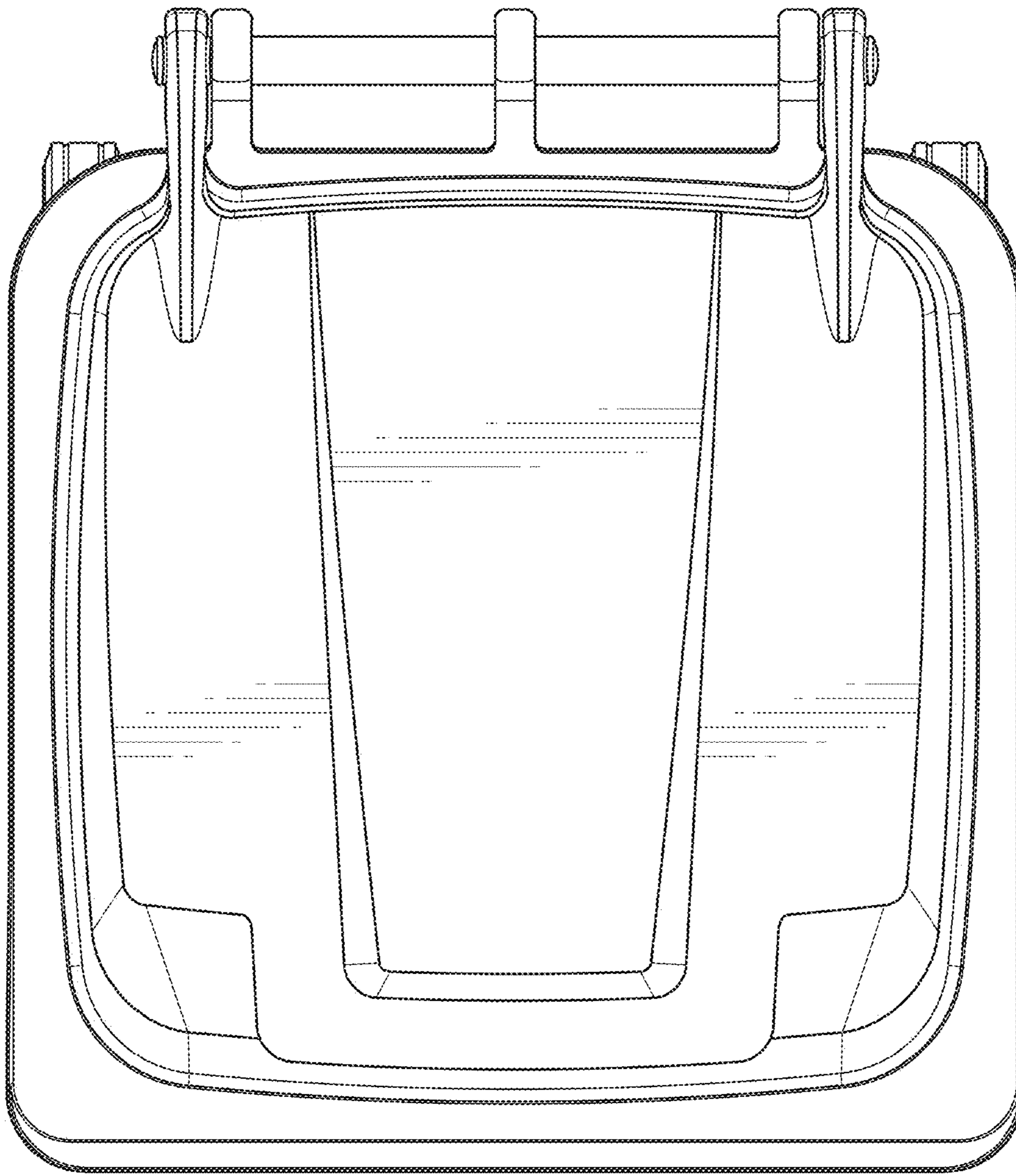


FIG. 5

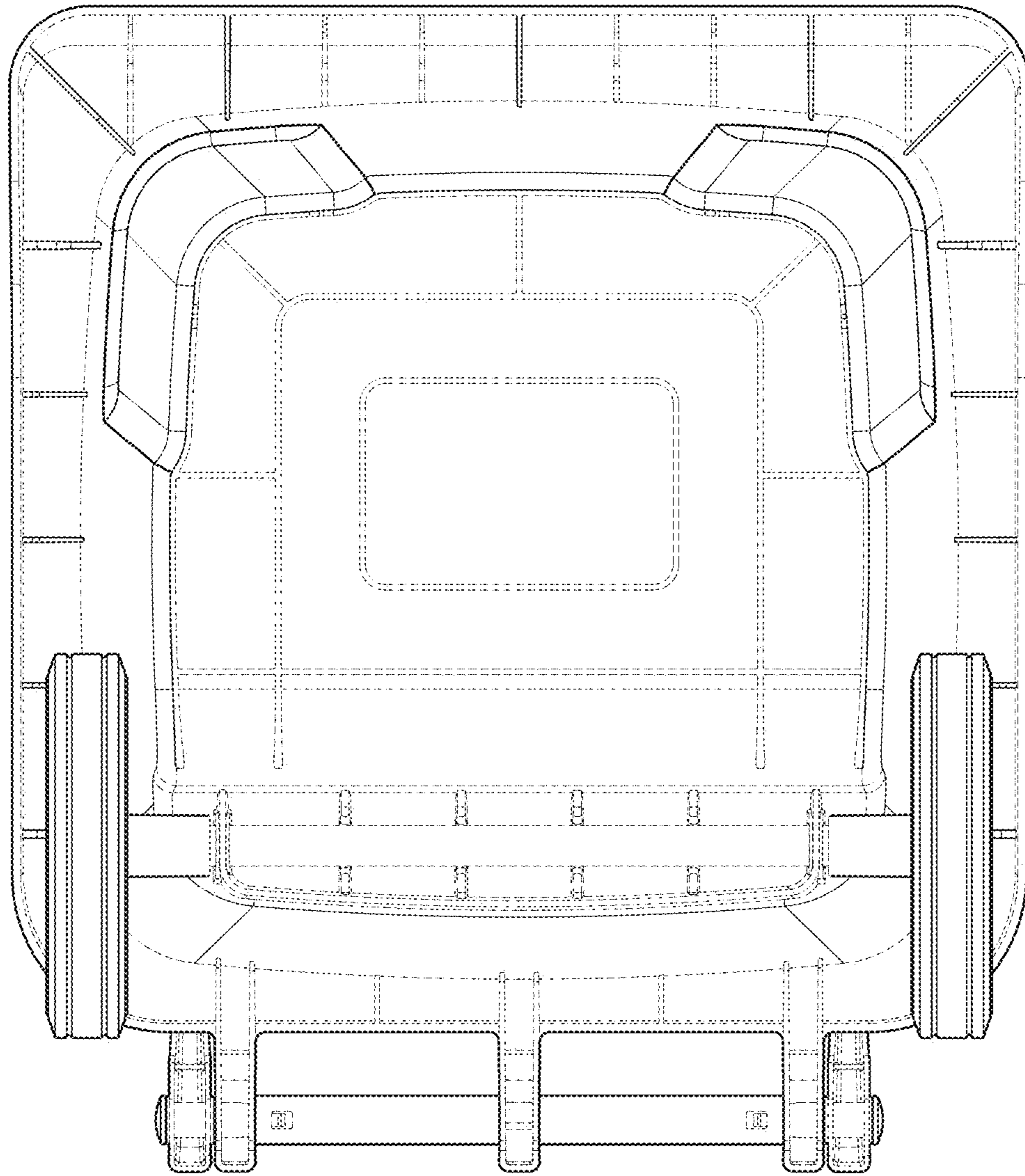


FIG. 6