



US00D950876S

(12) **United States Design Patent**
Liao et al.

(10) **Patent No.:** **US D950,876 S**
(45) **Date of Patent:** **** May 3, 2022**

(54) **SILICONE SCRAPER**

(71) Applicant: **KTL INTERNATIONAL CO., LTD.**,
Taichung (TW)

(72) Inventors: **Ying-Chieh Liao**, Taichung (TW);
Yu-Kuo Liao, Taichung (TW)

(73) Assignee: **KTL INTERNATIONAL CO., LTD.**,
Taichung (TW)

(**) Term: **15 Years**

(21) Appl. No.: **29/757,857**

(22) Filed: **Nov. 10, 2020**

(30) **Foreign Application Priority Data**

May 12, 2020 (TW) 109302500

(51) **LOC (13) Cl.** **07-05**

(52) **U.S. Cl.**
USPC **D32/46**

(58) **Field of Classification Search**
USPC D32/35, 40-43, 46; D4/116
CPC . A47L 13/10; A47L 13/12; C02F 1/00; H01L
25/00; C09K 3/10; A01K 5/01
See application file for complete search history.

(56) **References Cited**

U.S. PATENT DOCUMENTS

- D261,601 S * 11/1981 Kettlestrings D32/40
- D403,815 S * 1/1999 Inerbickler D32/46
- D513,813 S * 1/2006 Avery D28/44.1
- D538,987 S * 3/2007 Angeletta D32/40
- D568,566 S * 5/2008 Gabbour D32/40
- D624,720 S * 9/2010 Motsenbocker D32/46

- D798,518 S * 9/2017 Holschbach D32/46
- D799,771 S * 10/2017 Toll D32/46
- D842,567 S * 3/2019 Koennecke D32/40
- D843,075 S * 3/2019 Hamilton D32/40
- D846,216 S * 4/2019 Hamilton D32/40
- D868,409 S * 11/2019 Kauffman D32/46

OTHER PUBLICATIONS

Silicone Scraper set, Alibaba website 2021, site visited Jan. 5, 2022,
<https://www.aliexpress.com/item/32828917128.html>.*

* cited by examiner

Primary Examiner — John R Yeh

(74) *Attorney, Agent, or Firm* — Muncy, Geissler, Olds &
Lowe, PC

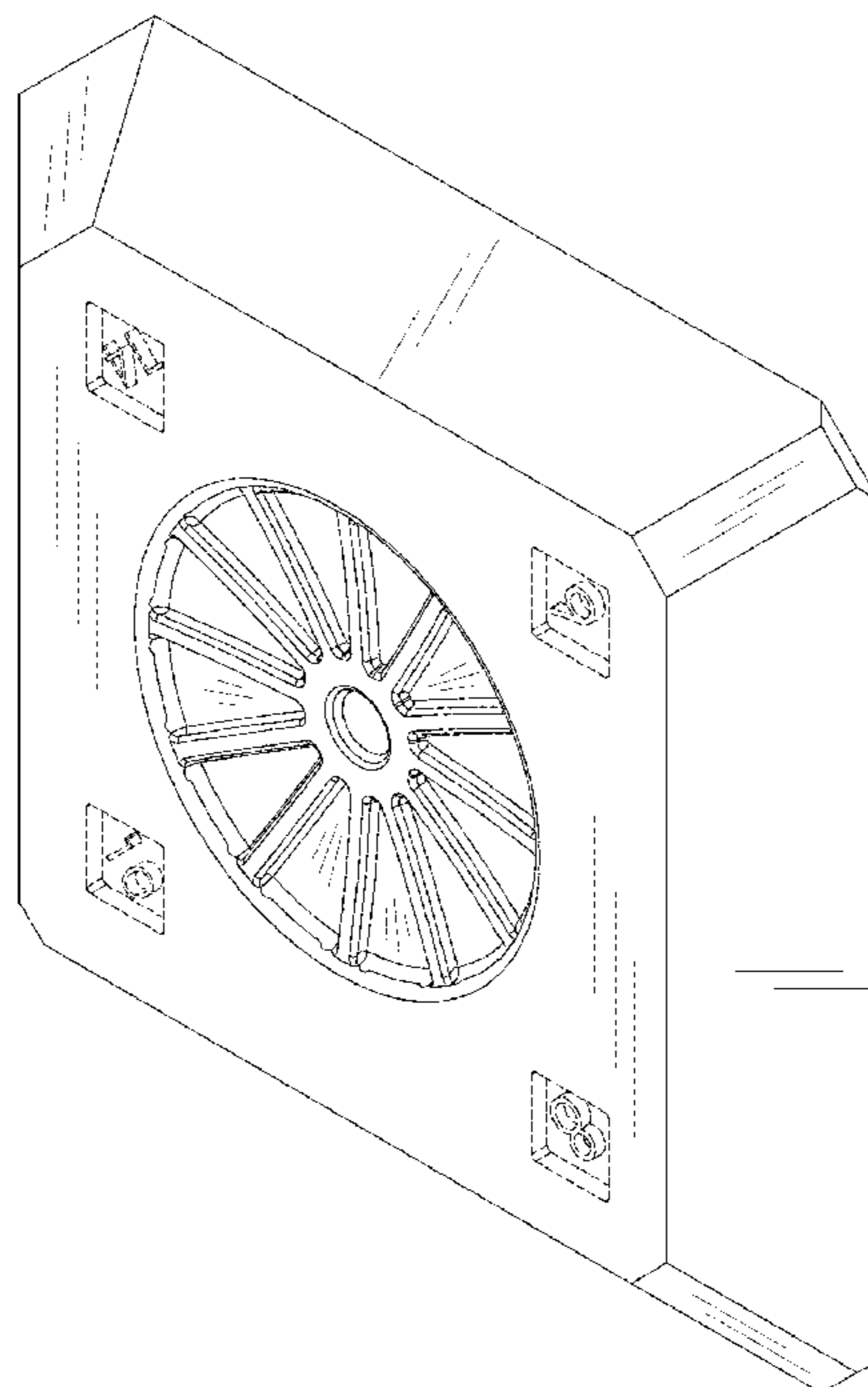
(57) **CLAIM**

We claim the ornamental design for a silicone scraper, as shown and described.

DESCRIPTION

FIG. 1 is a top, front, right perspective view of a silicone scraper showing our new design;
FIG. 2 is a front elevational view thereof;
FIG. 3 is a rear elevational view thereof;
FIG. 4 is a left side view thereof;
FIG. 5 is a right side view thereof;
FIG. 6 is a top plan view thereof;
FIG. 7 is a bottom plan view thereof; and,
FIG. 8 is a top, rear, right perspective view.
The broken lines in the drawings illustrate portions of the silicone scraper which form no part of the claimed design.

1 Claim, 6 Drawing Sheets



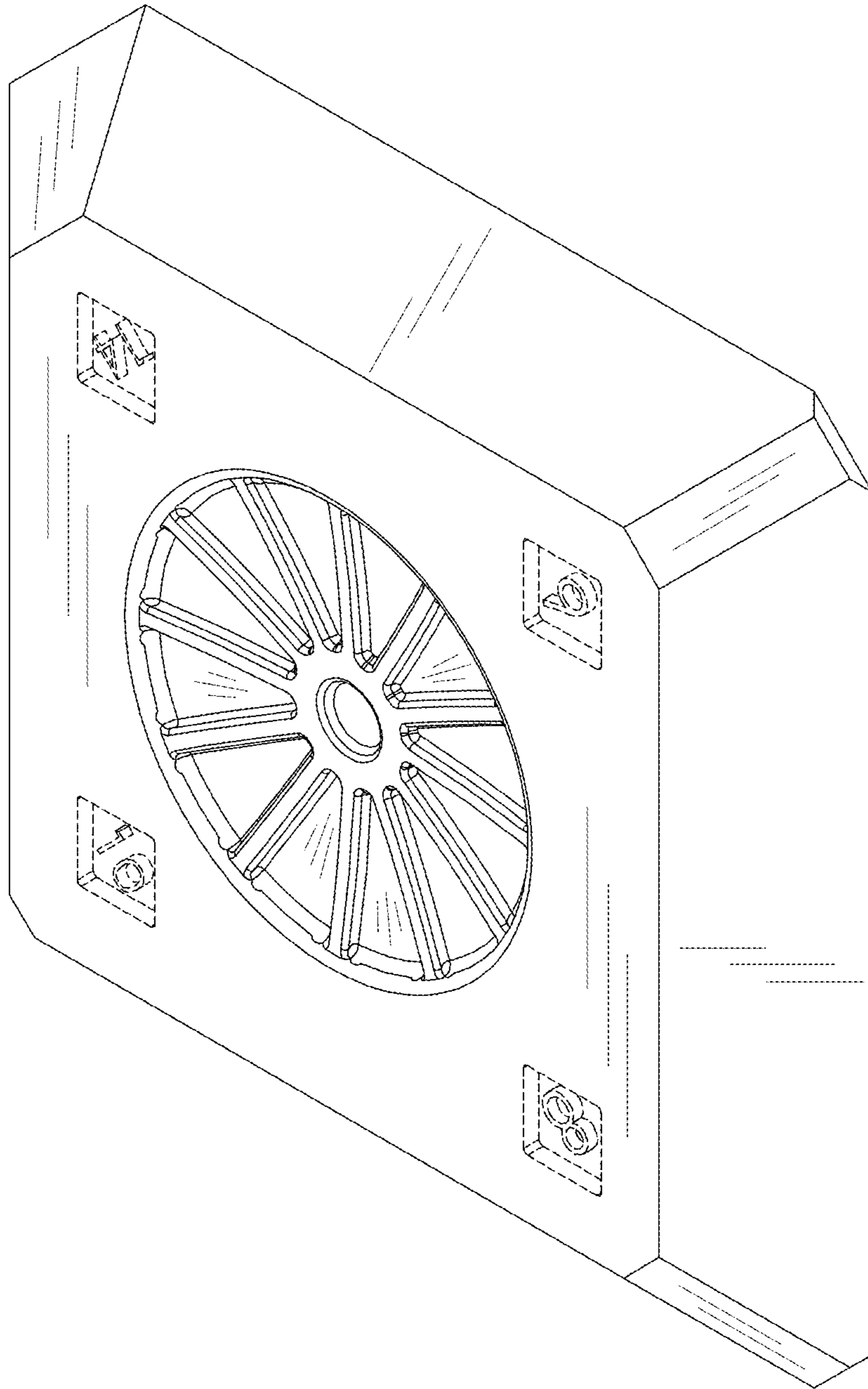


FIG. 1

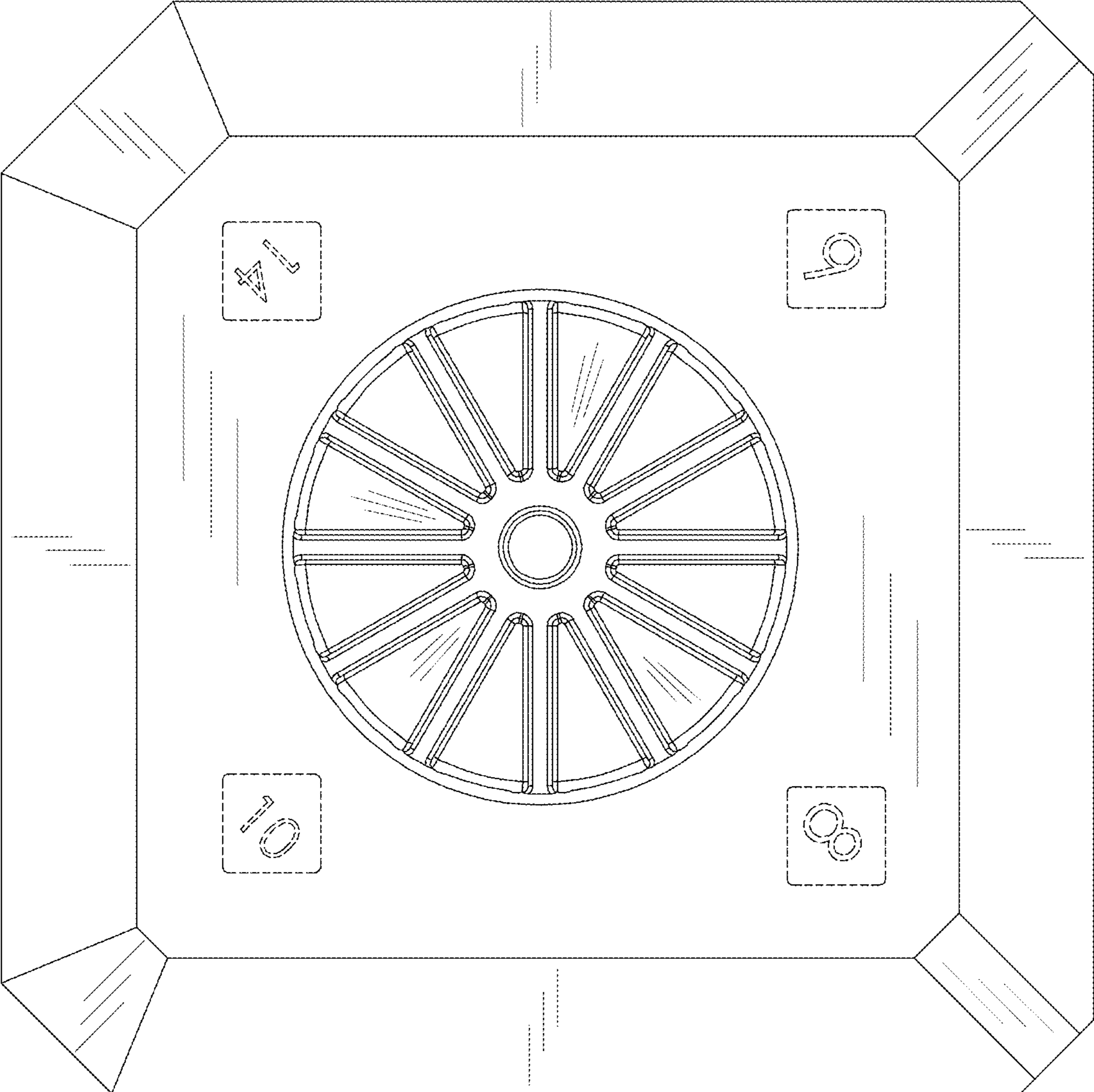


FIG. 2

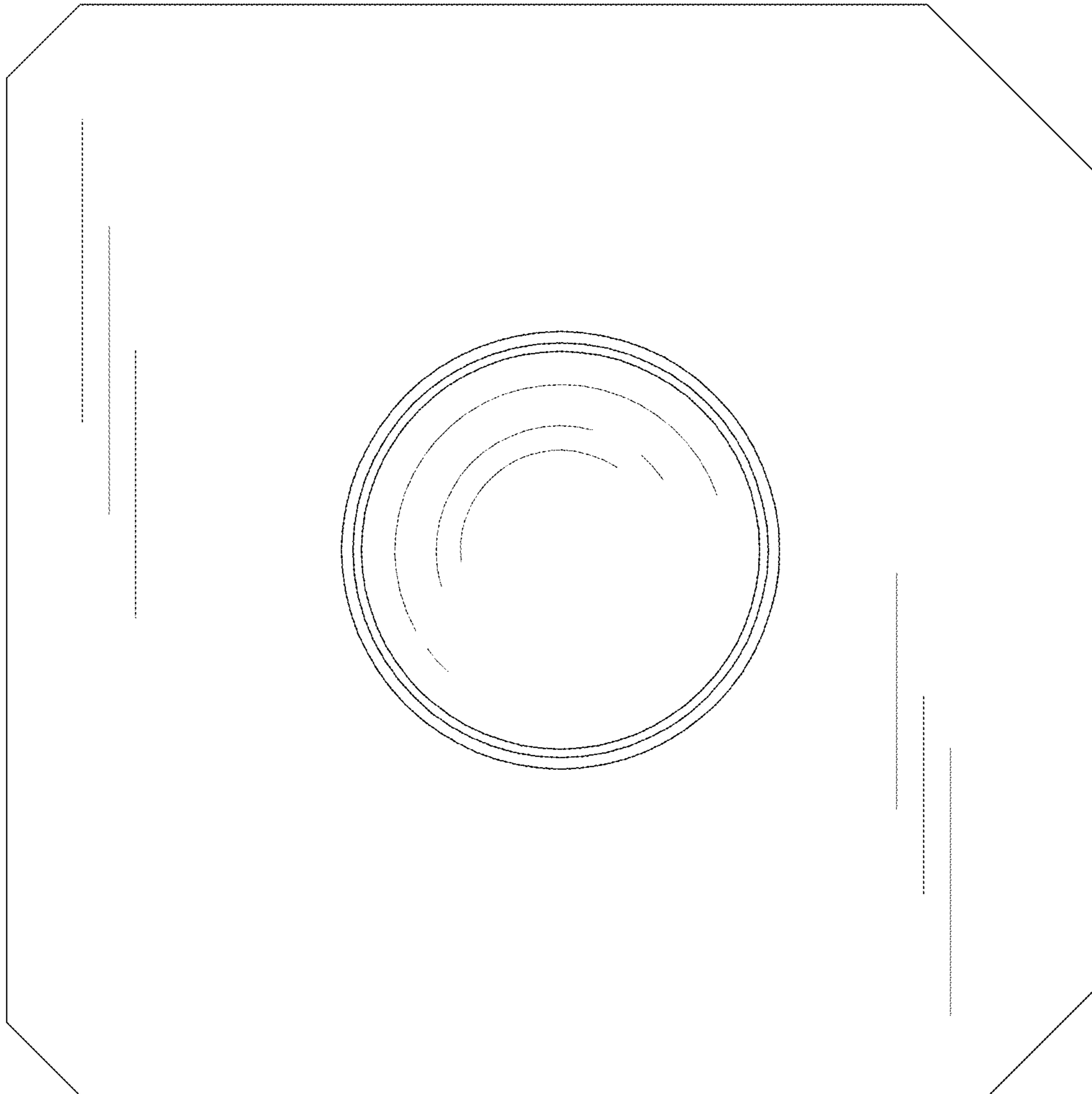


FIG. 3

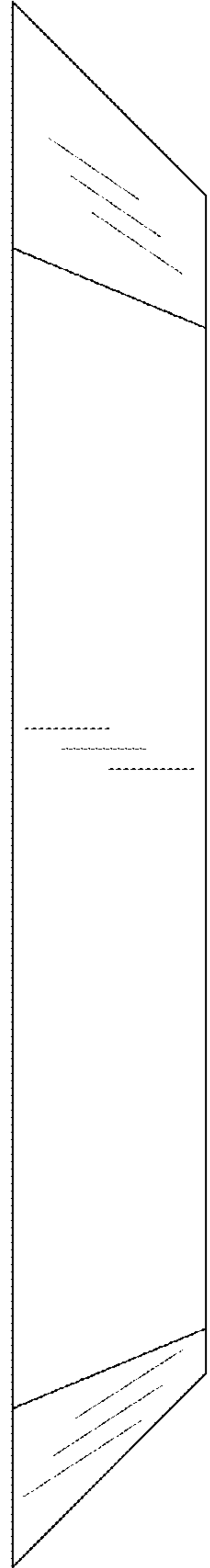


FIG. 4

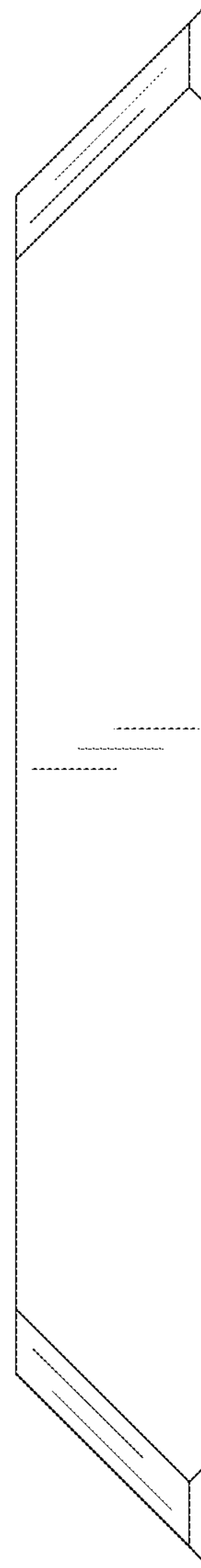


FIG. 5

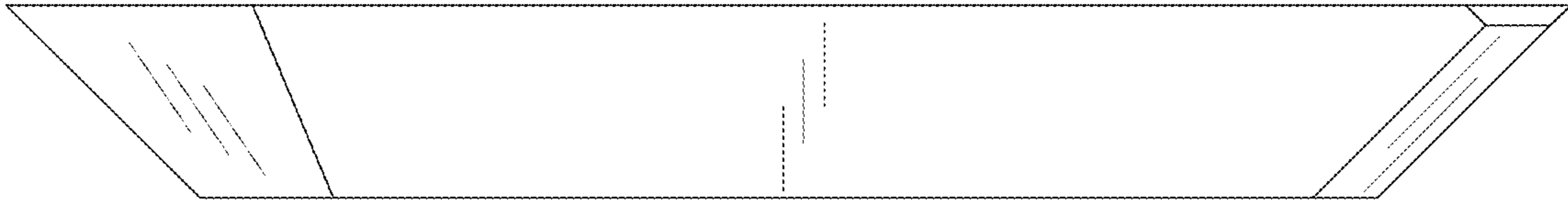


FIG. 6

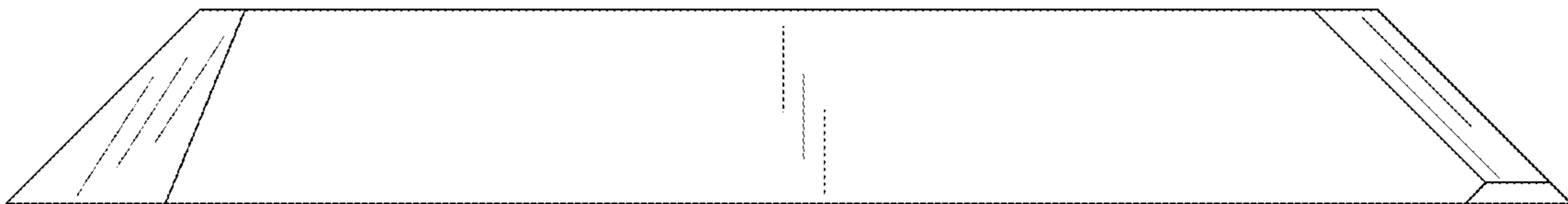


FIG. 7

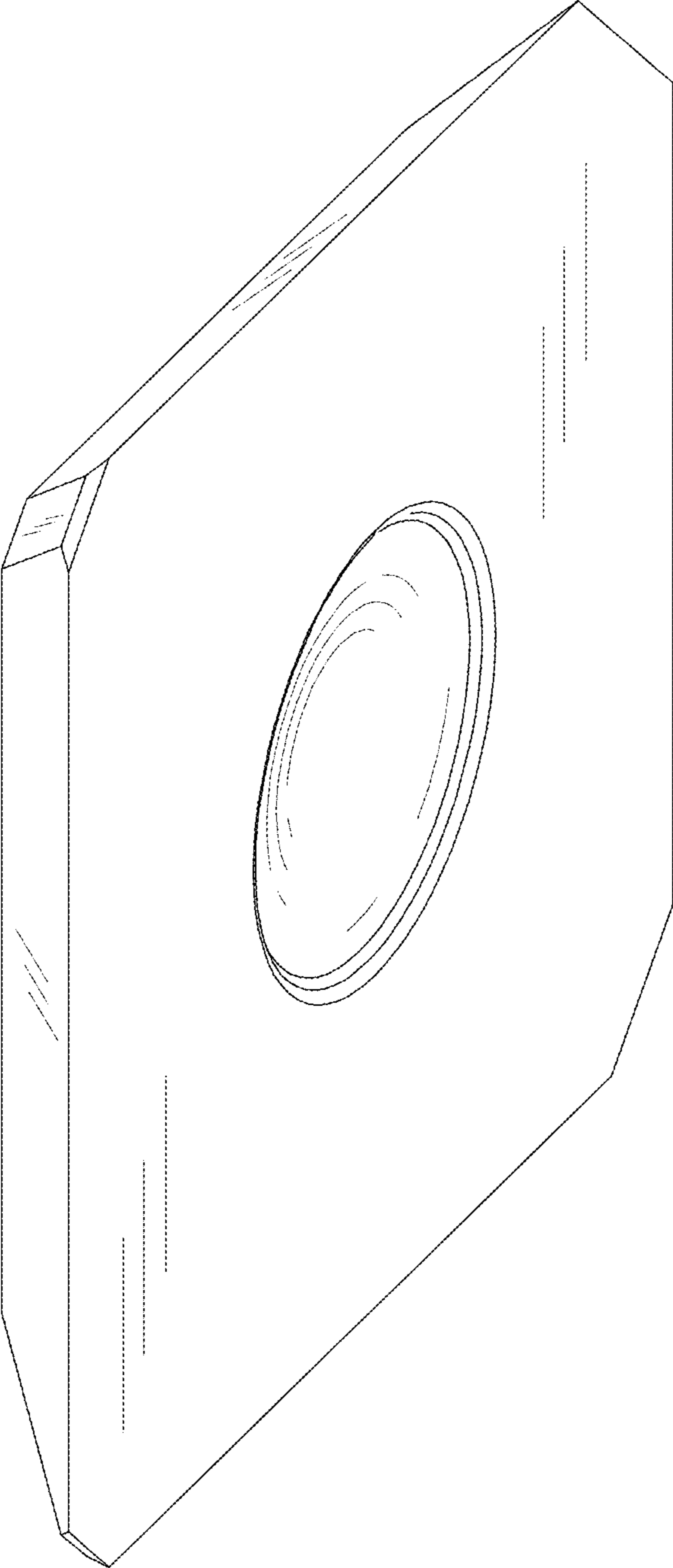


FIG. 8