



US00D950866S

(12) **United States Design Patent** (10) **Patent No.:** **US D950,866 S**  
**Wen** (45) **Date of Patent:** **\*\* May 3, 2022**

(54) **REMOTE CONTROLLED DOG TRAINING DEVICE**

(71) Applicant: **Shenzhen Tianzhe Science And Technology Co., Limited**, Guangdong (CN)

(72) Inventor: **Jian Wen**, Shanghai (CN)

(\*\*) Term: **15 Years**

(21) Appl. No.: **29/737,059**

(22) Filed: **Jun. 4, 2020**

(51) **LOC (13) Cl.** ..... **30-99**

(52) **U.S. Cl.**  
USPC ..... **D30/199**; D10/104.1

(58) **Field of Classification Search**  
USPC ..... D30/144, 151, 152, 153, 155, 156, 199;  
D10/104.1, 104.2, 105, 116.1; D14/137,  
D14/188; 119/712, 714, 716, 717, 718,  
119/719, 720, 722

CPC ..... A01K 15/02; A01K 15/022  
See application file for complete search history.

(56) **References Cited**

**U.S. PATENT DOCUMENTS**

D813,473	S	*	3/2018	Ni	.....	D30/199
D862,812	S	*	10/2019	Jia	.....	D30/199
D883,829	S	*	5/2020	Nytko	.....	D10/104.1
D898,308	S	*	10/2020	Yang	.....	D30/199
D914,630	S	*	3/2021	Li	.....	D14/137
D927,442	S	*	8/2021	Hong	.....	D14/137
D931,245	S	*	9/2021	Hong	.....	D14/137
D931,246	S	*	9/2021	Hong	.....	D14/137
D932,453	S	*	10/2021	Xiao	.....	D14/137
D933,035	S	*	10/2021	Yu	.....	D14/137
D933,036	S	*	10/2021	Hong	.....	D14/137
D933,623	S	*	10/2021	Liu	.....	D14/137
D934,514	S	*	10/2021	Wen	.....	D30/199

**OTHER PUBLICATIONS**

“Dog Training Bark Collar” available Jul. 12, 2021, [online], [site visited Nov. 15, 2021]. Retrieved from Internet, URL:https://www.wayfair.com/pet/pdp/lohomeus-dog-training-bark-collar-with-remote-rechargeable-electric-waterproof-lbom1126.html (Year: 2021).\*  
“MASBRILL Dog Training Collar” available Sep. 15, 2020, [online], [site visited Nov. 16, 2021]. Retrieved from Internet, URL:https://www.amazon.com/MASBRILL-Dog-Training-Collar-Rechargeable/dp/B08J2VBH94/ref=sr\_1\_8 (Year: 2020).\*

\* cited by examiner

*Primary Examiner* — W. A. Teddy Falloway

*Assistant Examiner* — Katrina N Gonzalez

(74) *Attorney, Agent, or Firm* — Prakash Nama; Global IP Services, PLLC

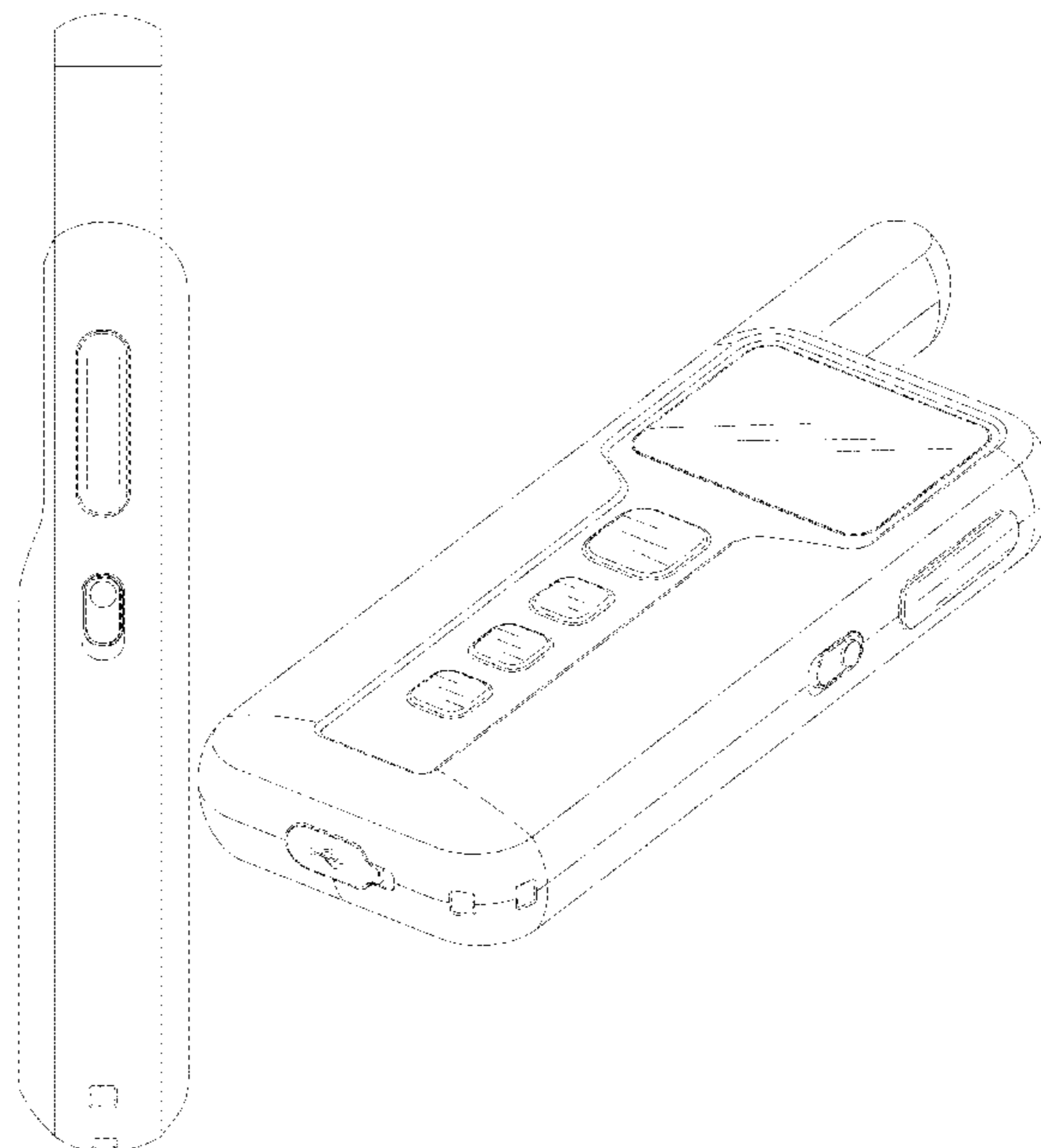
(57) **CLAIM**

The ornamental design for a remote controlled dog training device, as shown and described.

**DESCRIPTION**

FIG. 1 is a front elevational view of a remote controlled dog training device showing my new design;  
FIG. 2 is a rear elevational view thereof;  
FIG. 3 is a left side view thereof;  
FIG. 4 is a right side view thereof;  
FIG. 5 is a top plan view thereof;  
FIG. 6 is a bottom plan view thereof;  
FIG. 7 is a perspective view thereof; and,  
FIG. 8 is another perspective view thereof.  
The broken lines illustrate portions of the remote controlled dog training device that form no part of the claimed design.

**1 Claim, 7 Drawing Sheets**



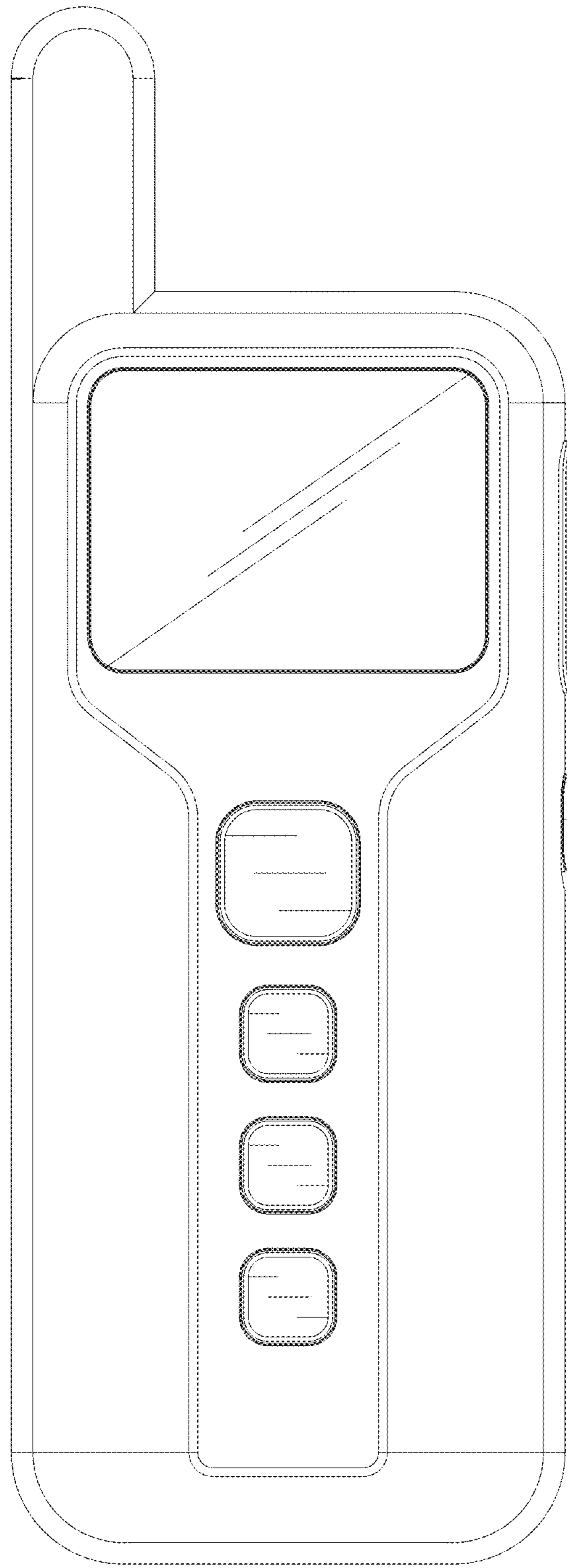


FIG. 1

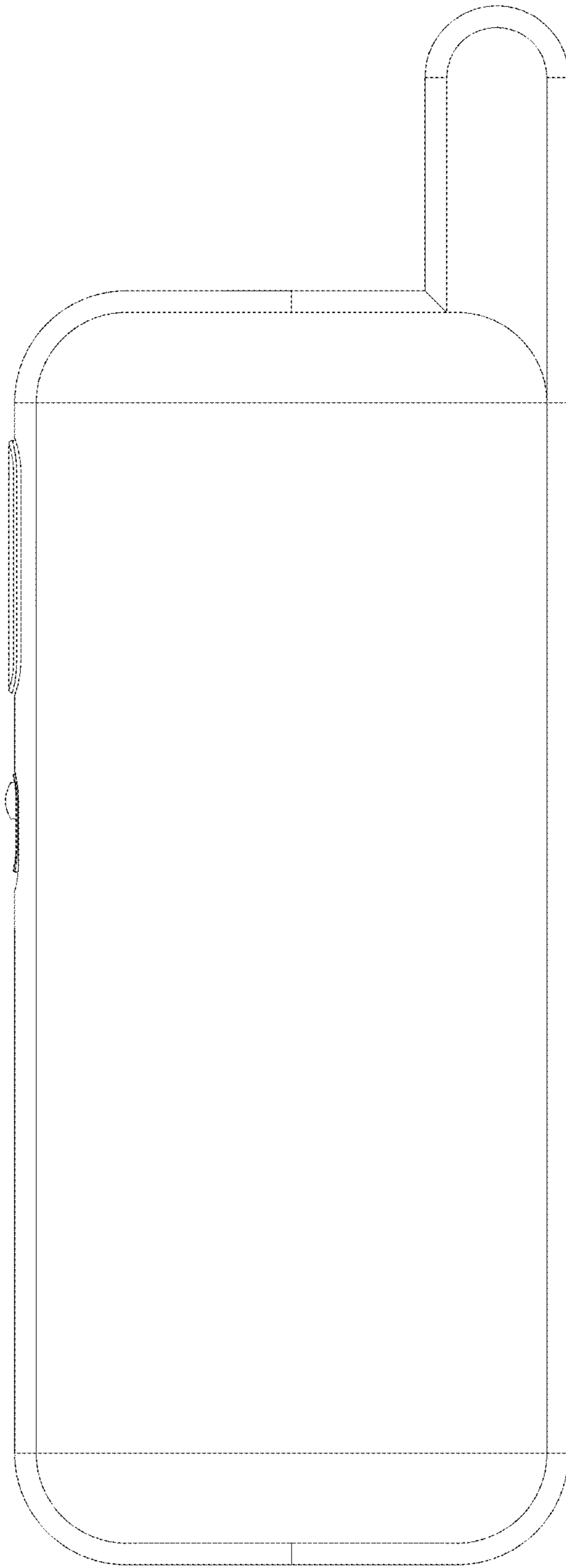


FIG. 2

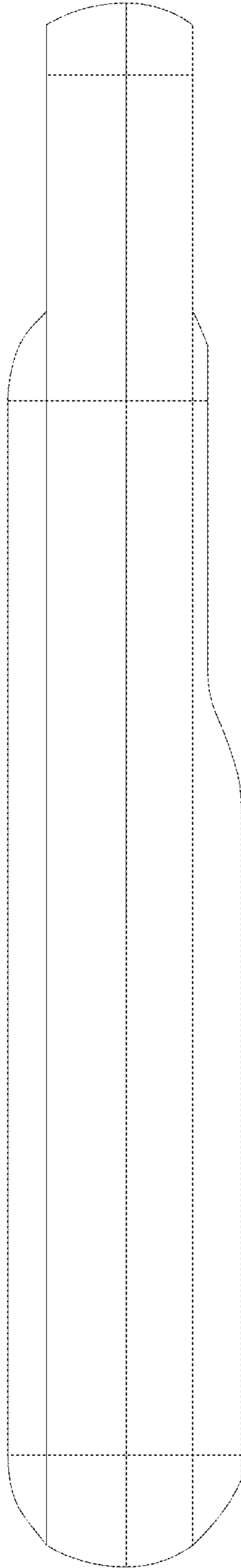


FIG. 3

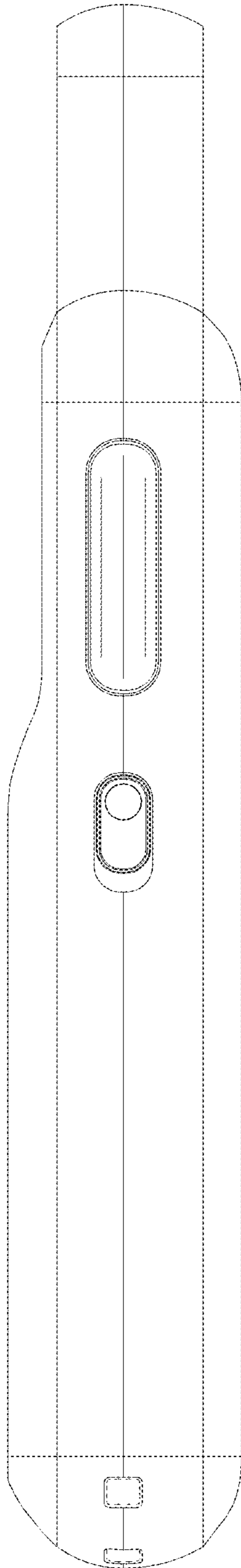


FIG. 4

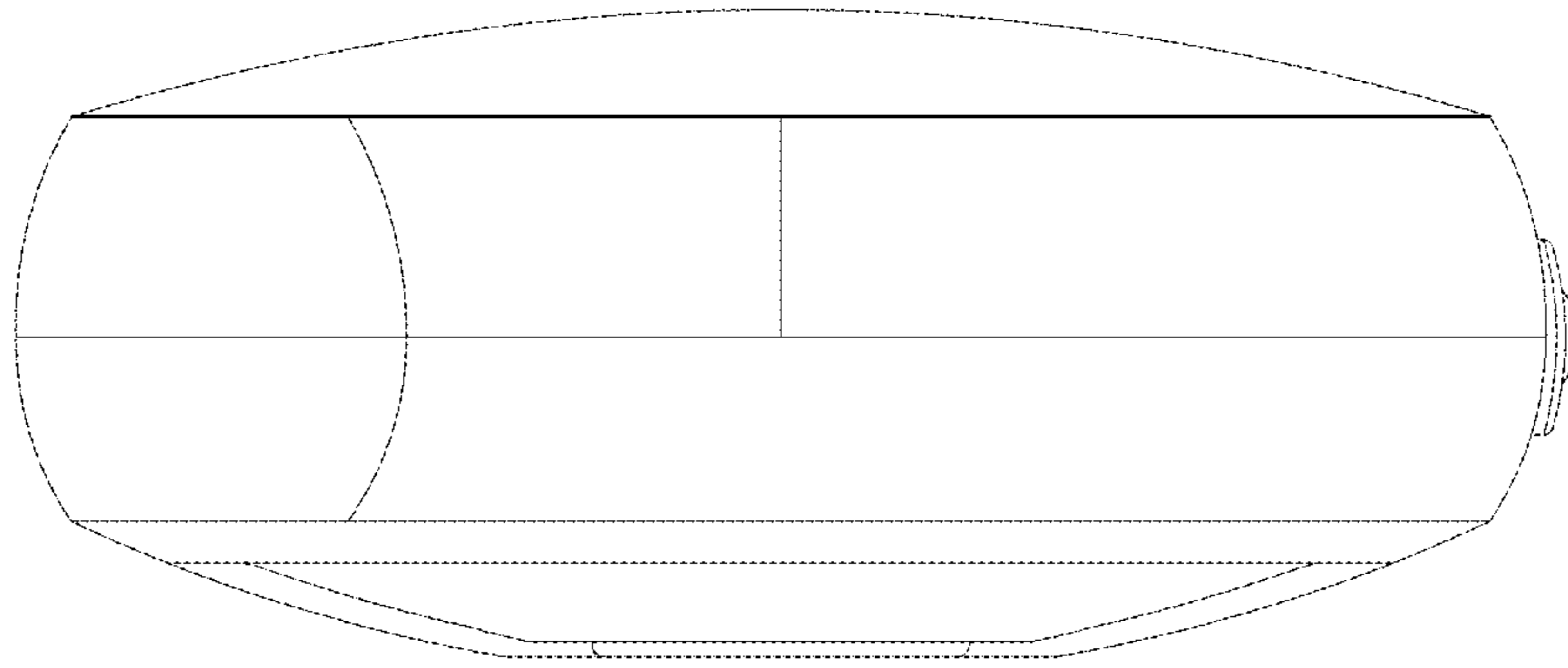


FIG. 5

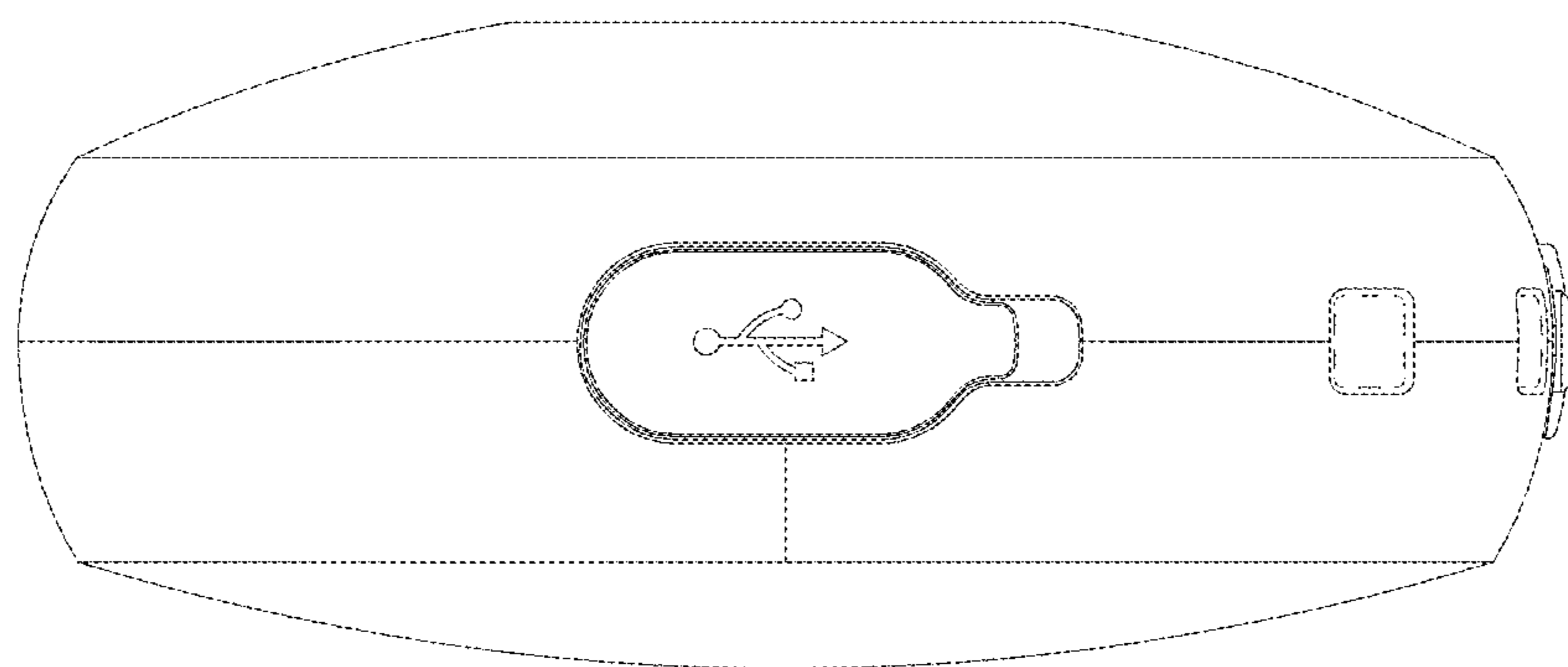


FIG. 6

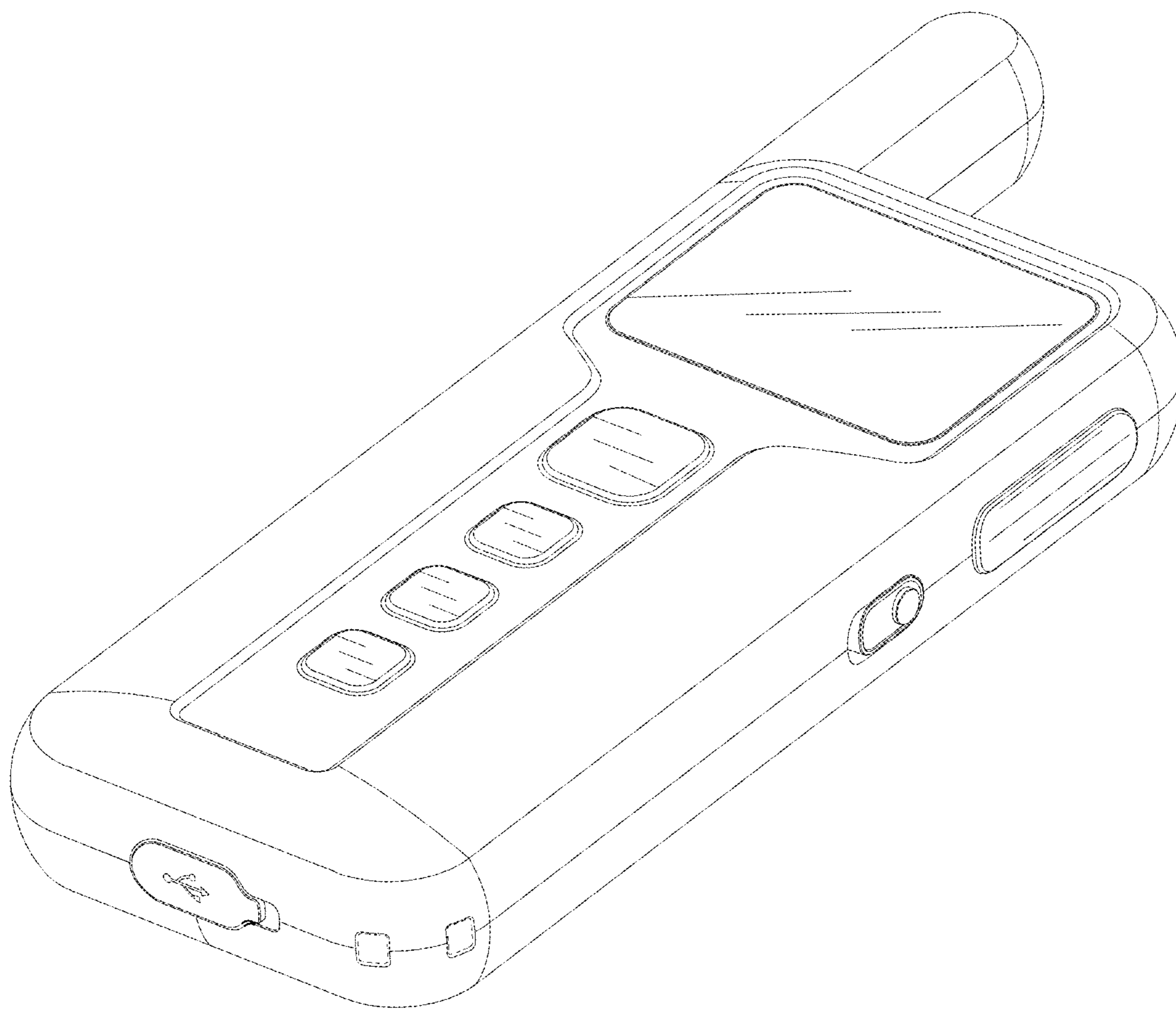


FIG. 7

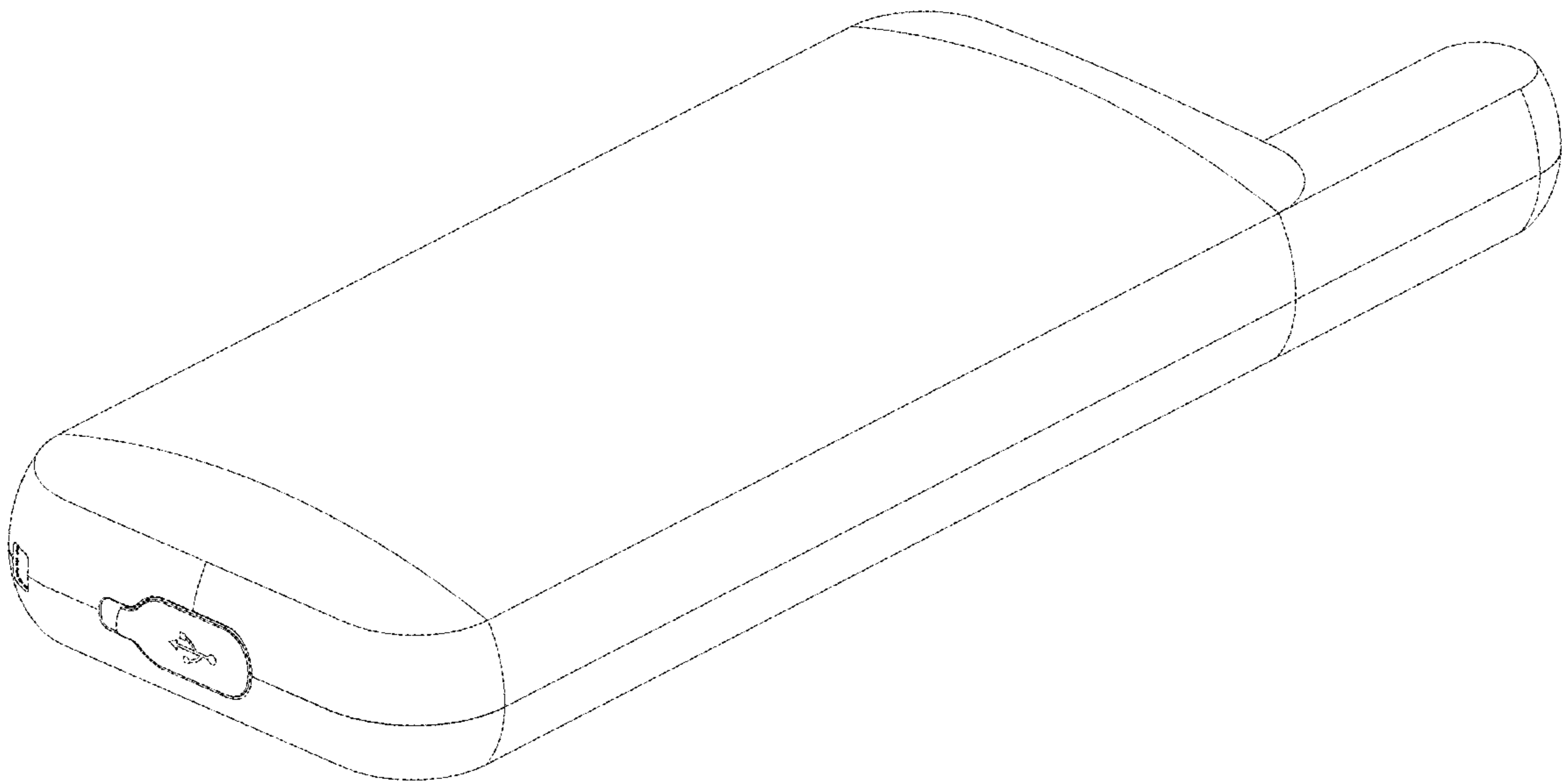


FIG. 8