

US00D950865S

(12) **United States Design Patent** (10) **Patent No.:** **US D950,865 S**
Soto (45) **Date of Patent:** **** May 3, 2022**

(54) **PET TOY**
(71) Applicant: **The Hartz Mountain Corporation**,
Secaucus, NJ (US)
(72) Inventor: **Johann Soto**, Rutherford, NJ (US)
(73) Assignee: **THE HARTZ MOUNTAIN CORPORATION**, Secaucus, NJ (US)
(**) Term: **15 Years**
(21) Appl. No.: **29/652,433**
(22) Filed: **Aug. 13, 2020**
(51) **LOC (13) Cl.** **30-99**
(52) **U.S. Cl.**
USPC **D30/160**
(58) **Field of Classification Search**
USPC D30/160, 112, 119; D21/386, 398, 484,
D21/707, 712, 713; D24/193, 194, 195,
D24/211, 212, 214; D1/125, 126, 127
CPC A01K 15/025; A01K 15/026
See application file for complete search history.

D905,355 S * 12/2020 Wang D30/160
D911,634 S * 2/2021 Wolfe, Jr. D30/160
D911,635 S * 2/2021 Dertsakyan D30/160
D915,005 S * 3/2021 Wolfe, Jr. D30/160

OTHER PUBLICATIONS

Hartz Chew 'n Clean Drumstick, posted at amazon.com, earliest date available Apr. 29, 2021, [online], acquired on Jan. 15, 2022, Available on internet. url:https://www.amazon.com/Hartz-Clean-Chicken-Flavored-Drumstick/dp/B0916LZS1X?th=1 (Year: 2021).*

* cited by examiner

Primary Examiner — Sheryl Lane
Assistant Examiner — Aula Soroush

(74) *Attorney, Agent, or Firm* — Gottlieb, Rackman & Reisman, P.C.

(57) **CLAIM**

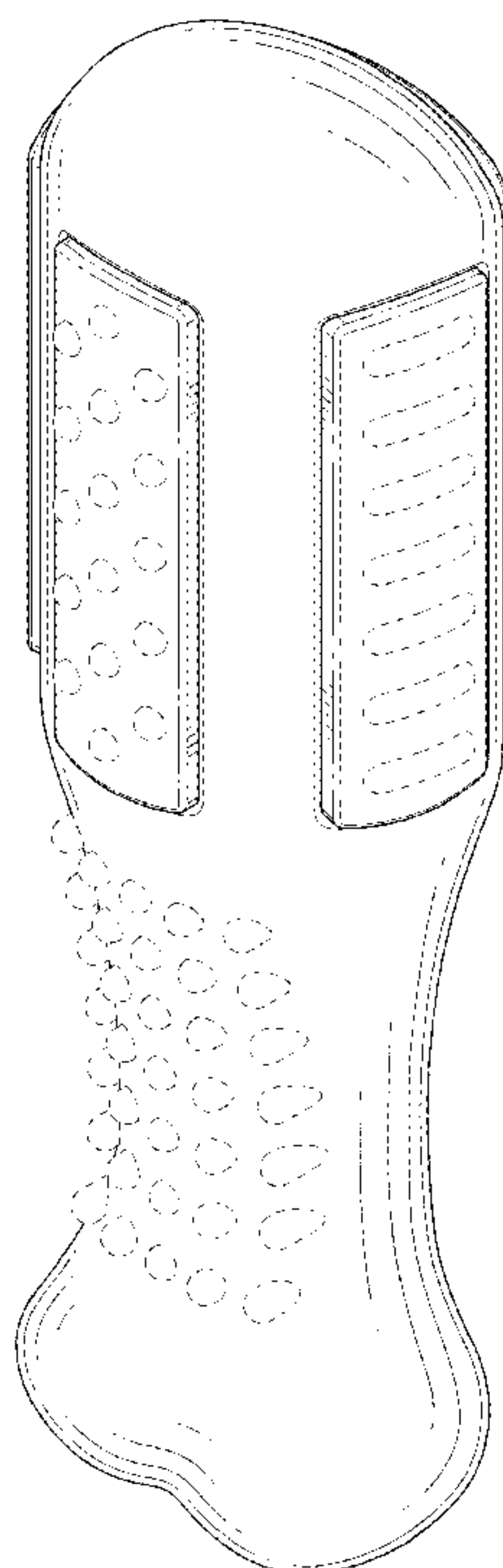
The ornamental design for a pet toy, as shown and described.

DESCRIPTION

FIG. 1 is a front top perspective view of a pet toy showing my new design;
FIG. 2 is a front elevational view thereof;
FIG. 3 is a rear elevational view thereof;
FIG. 4 is a left side elevational view thereof;
FIG. 5 is a right side elevational view thereof;
FIG. 6 is a top plan view thereof; and,
FIG. 7 is a bottom plan view thereof.
The broken lines shown in the drawings are included for the purpose of illustrating elements of the pet toy that form no part of the claimed design.

1 Claim, 6 Drawing Sheets

(56) **References Cited**
U.S. PATENT DOCUMENTS
D433,778 S * 11/2000 Axelrod D30/160
6,379,725 B1 * 4/2002 Wang A23J 3/26
426/805
D501,286 S * 2/2005 Wang D1/199
D869,786 S * 12/2019 Gick D30/160
D877,427 S * 3/2020 Wolfe, Jr. D30/160
D877,428 S * 3/2020 Wolfe, Jr. D30/160
D899,014 S * 10/2020 Wolfe, Jr. D30/160
D901,104 S * 11/2020 Dertsakyan D30/160



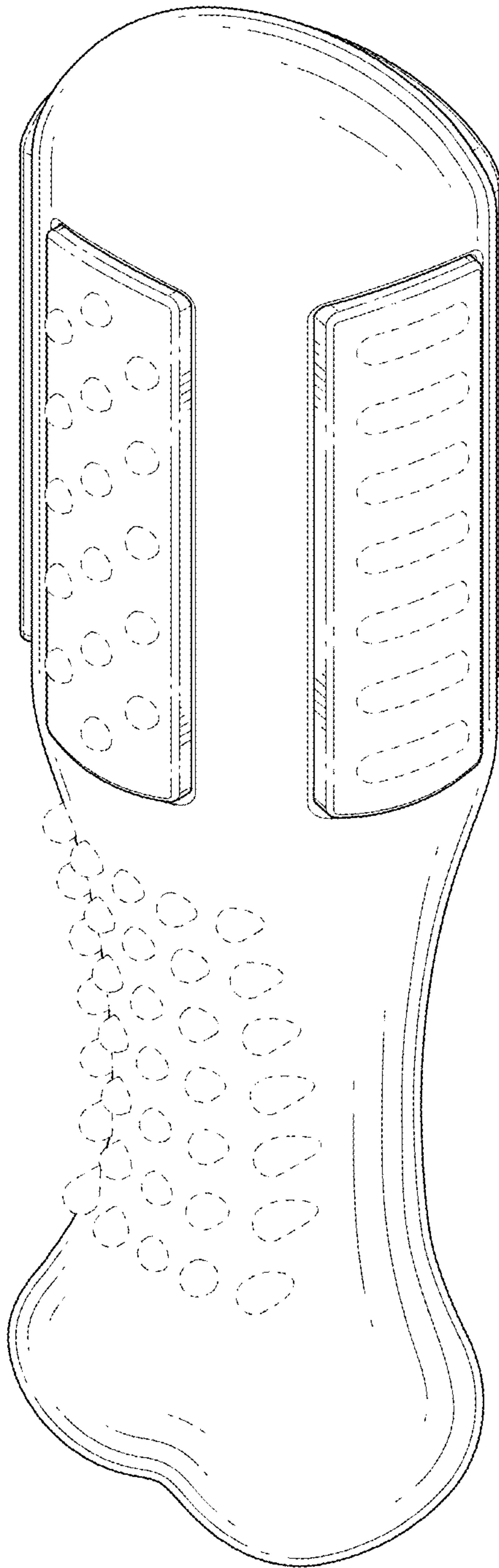


FIG. 1

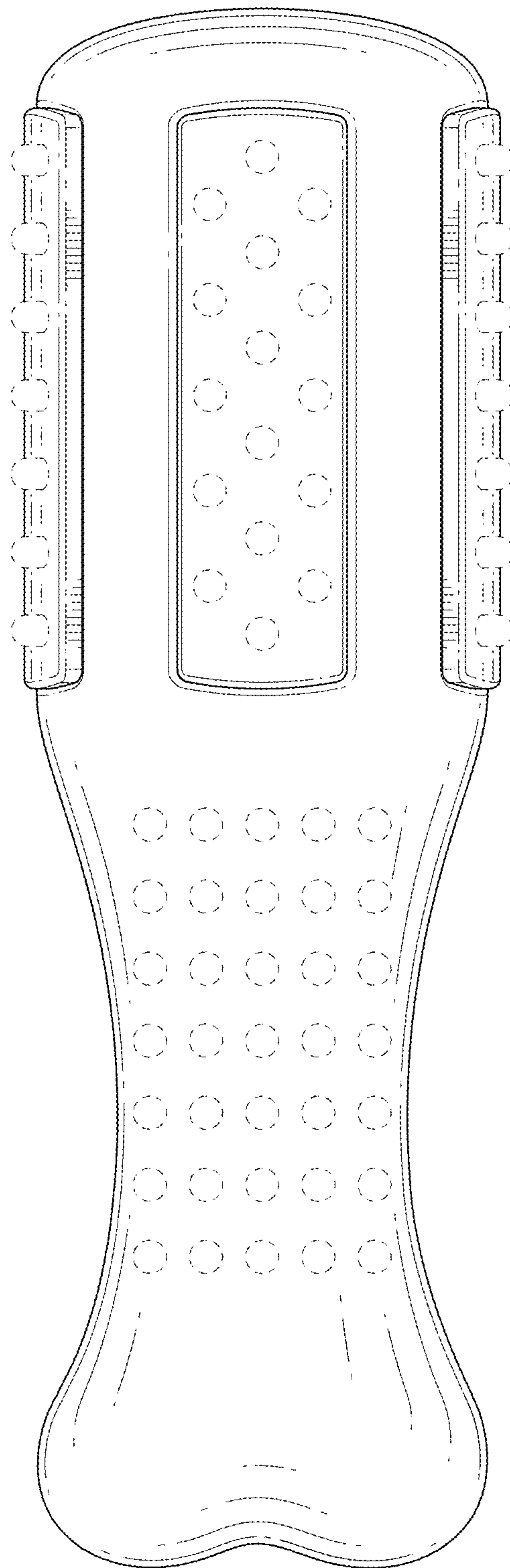


FIG. 2

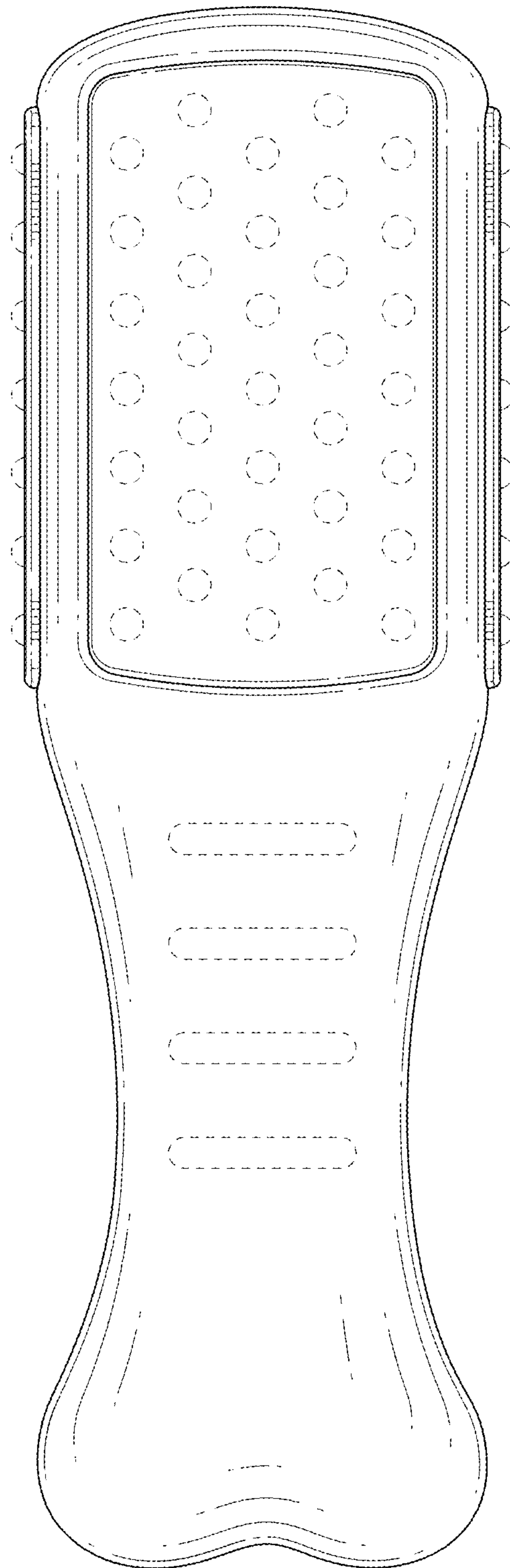


FIG. 3

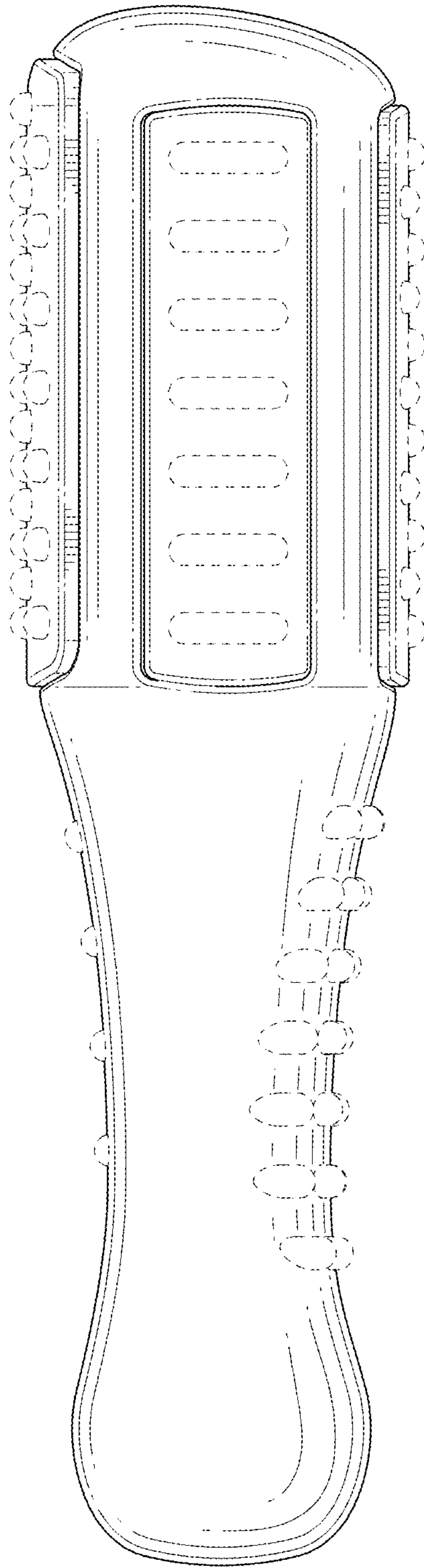


FIG. 4

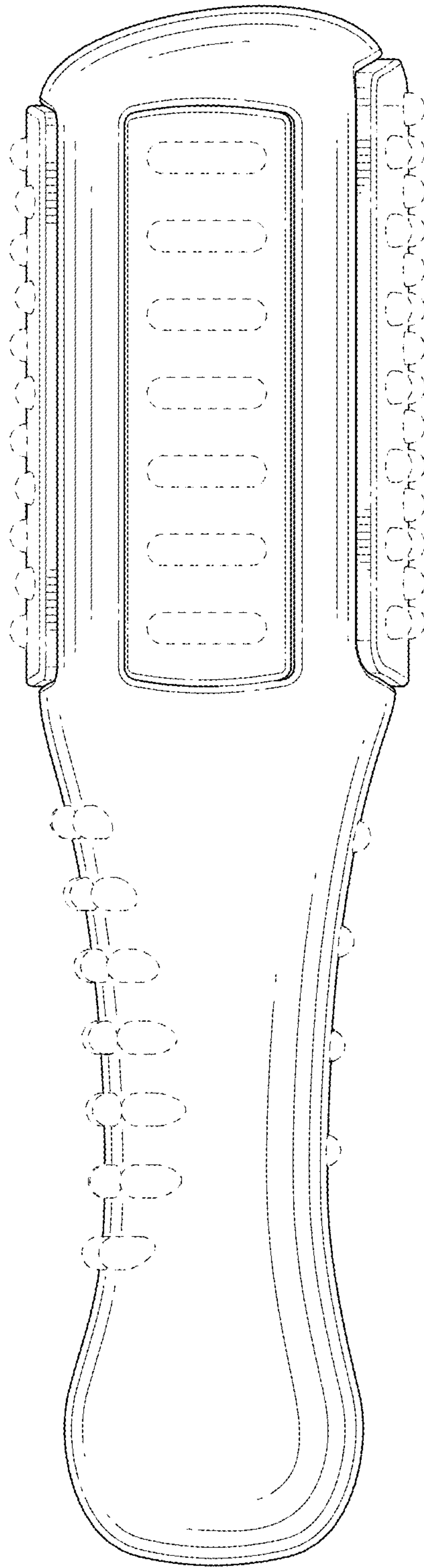


FIG. 5

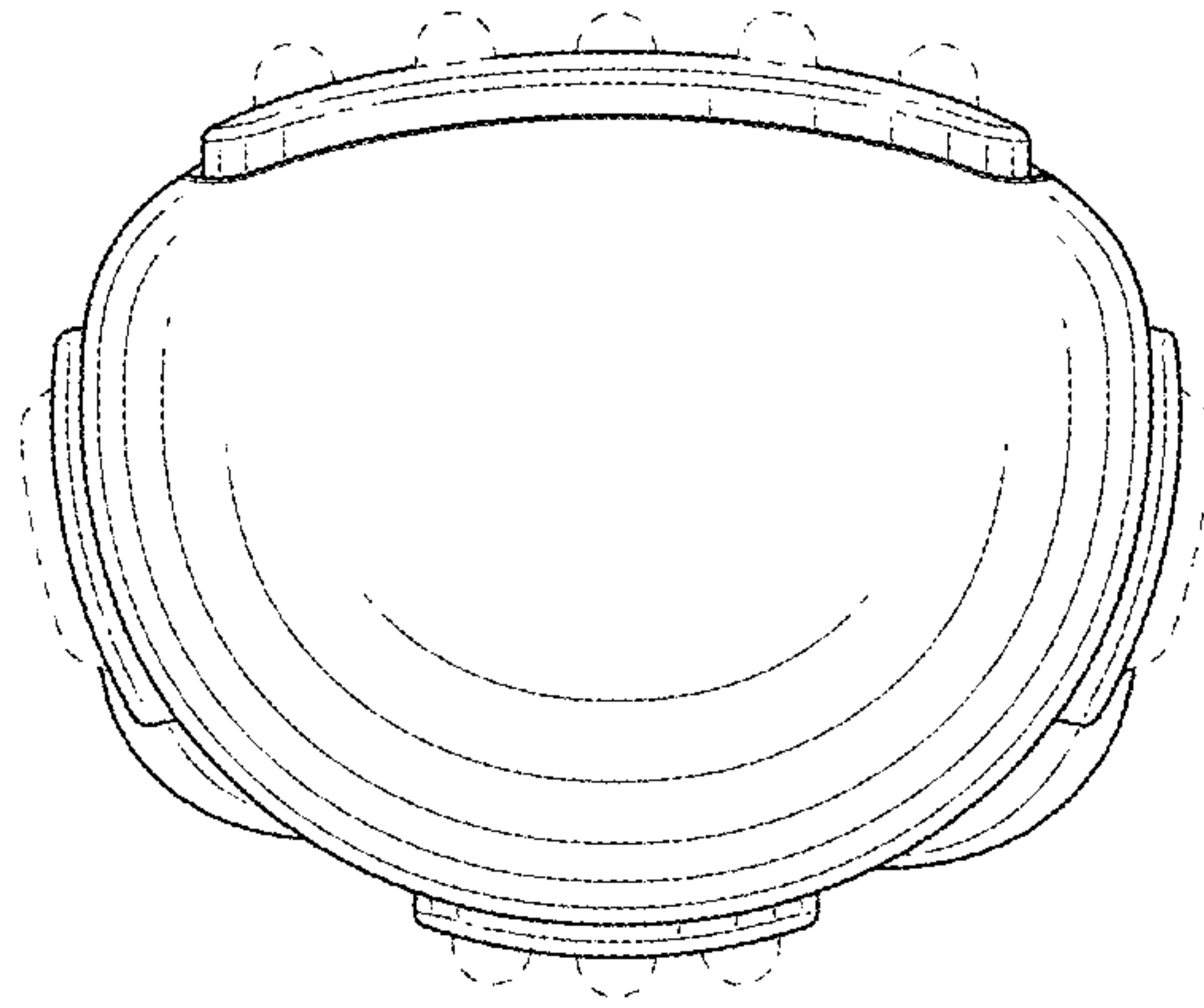


FIG. 6

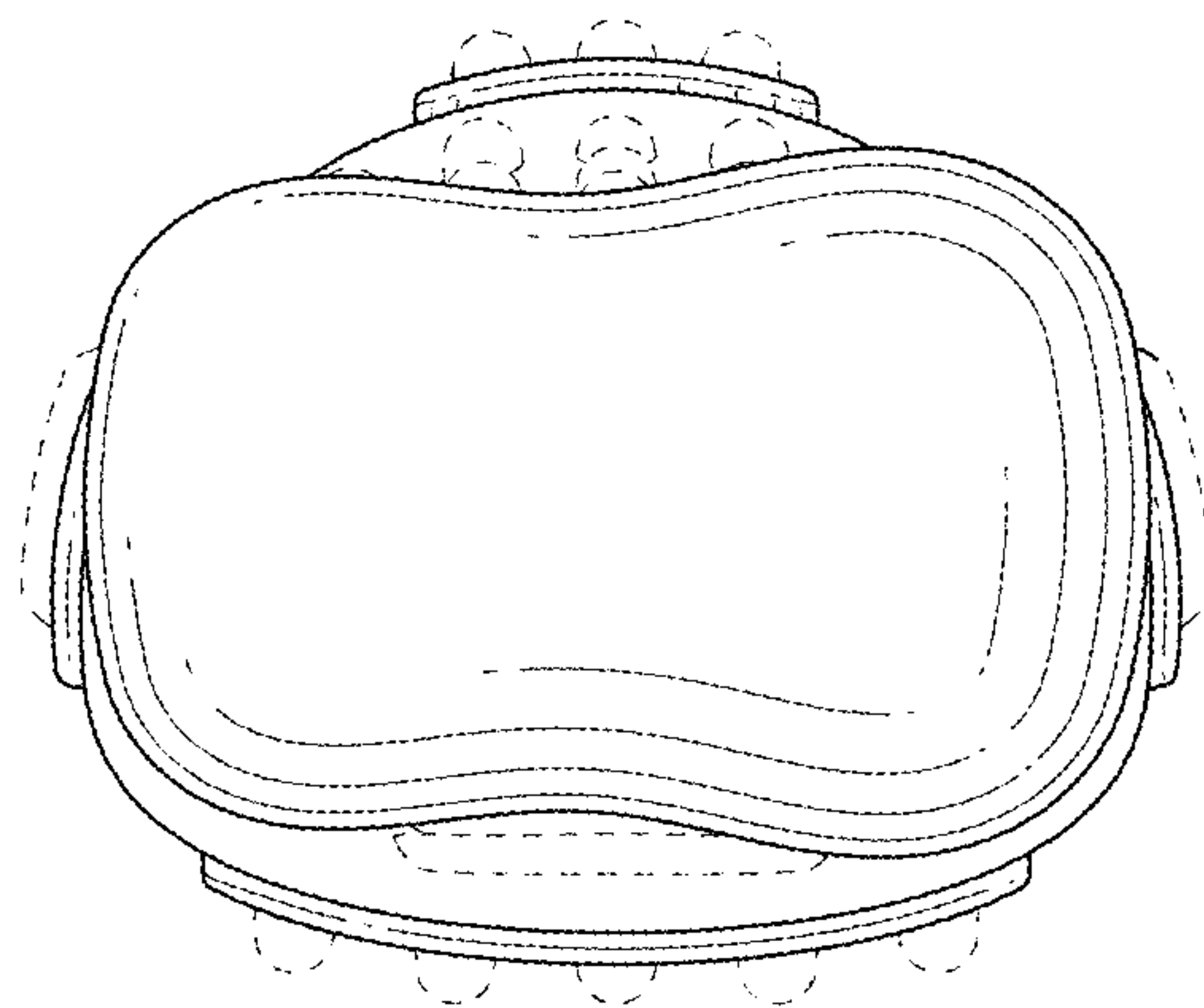


FIG. 7