



US00D950863S

(12) **United States Design Patent**
Mott et al.

(10) **Patent No.:** **US D950,863 S**
(45) **Date of Patent:** **** *May 3, 2022**

(54) **COLLAR CHARM**

(71) Applicant: **MARS, INCORPORATED**, McLean, VA (US)

(72) Inventors: **Robert Mott**, San Francisco, CA (US);
Xin Yang, San Francisco, CA (US);
Adam Passey, San Francisco, CA (US);
Shao En Huang, San Francisco, CA (US)

(73) Assignee: **MARS, INCORPORATED**, McLean, VA (US)

(*) Notice: This patent is subject to a terminal disclaimer.

(**) Term: **15 Years**

(21) Appl. No.: **29/696,311**

(22) Filed: **Jun. 26, 2019**

(51) **LOC (13) Cl.** **30-04**

(52) **U.S. Cl.**
USPC **D30/152**

(58) **Field of Classification Search**
USPC D30/144, 145, 151, 152, 153, 154, 155,
D30/199; D3/215, 218, 221, 222, 226,
(Continued)

(56) **References Cited**

U.S. PATENT DOCUMENTS

1,242,159 A 10/1917 Dunkleberger
1,271,650 A 7/1918 Arkin
(Continued)

FOREIGN PATENT DOCUMENTS

CN 102833675 A 12/2012
CN 305133577 * 4/2019
(Continued)

OTHER PUBLICATIONS

Whistle Go Explore—Ultimate Health & Location Tracker, published Jul. 23, 2019 [online][retrieved May 17, 2021], Available from Internet, URL: <https://www.amazon.com/Whistle-Explore->

Ultimate-Location-Tracker/dp/B07TC75S8X/ref=sr_1_1_sspa?dchild=1&keywords=whistle+dog&qid=1621017829&sr=8-1-spons&psc=1&spLa=ZW5jenlwdGVkUXVhbGlmaWVyPUEwWk9TWkxTVZVN09LJmVuY3J5cHRIZEIkPUEwMjg5OTU5MVpRRIQ5VINKV1NBMSZlbnNyeXB0ZWRBZEIkPUEwOTQ4MjkkMjFBUkxNQjkwM0FCUzZ3aWRnZXROYW1lPXNwX2F0ZiZlY3Rpb249Y2xpY2tSZWRpcmVjdCZkb05vdExvZ0NsaWNrPXRydWU=.*

(Continued)

Primary Examiner — Kevin K Rudzinski

(74) *Attorney, Agent, or Firm* — Baker Botts L.L.P.

(57) **CLAIM**

The ornamental design for a collar charm, as shown and described.

DESCRIPTION

FIG. 1 is a front perspective view of a collar charm in accordance with the disclosed subject matter.

FIG. 2 is a front plan view of the collar charm shown in FIG. 1.

FIG. 3 is a rear plan view of the collar charm shown in FIG. 1.

FIG. 4 is a left side view of the collar charm shown in FIG. 1.

FIG. 5 is a right side view of the collar charm shown in FIG. 1.

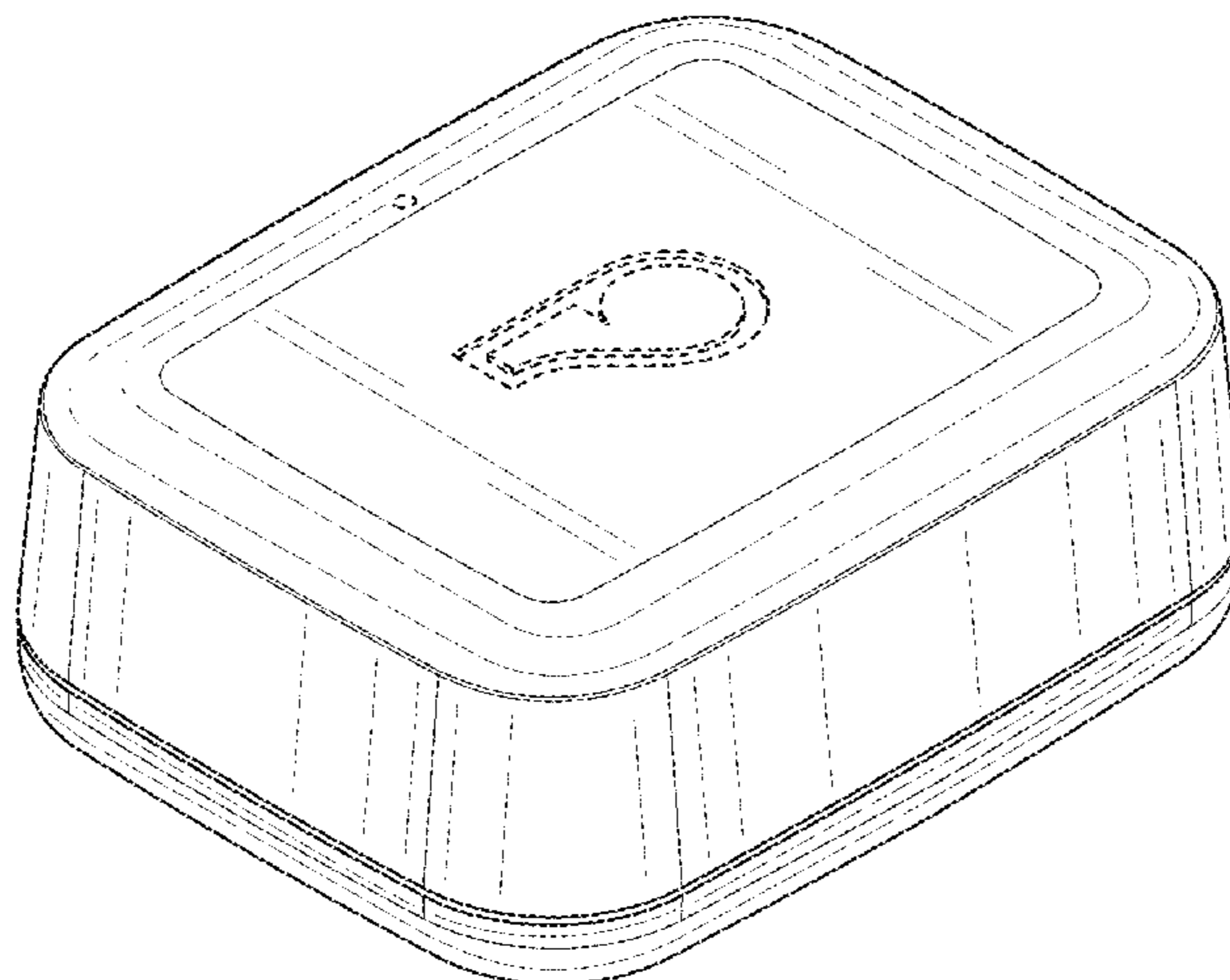
FIG. 6 is a top view of the collar charm shown in FIG. 1.

FIG. 7 is a bottom view of the collar charm shown in FIG. 1; and,

FIG. 8 is a front perspective view of the collar charm shown in FIG. 1, in an environment of use shown as coupled with a collar band and worn on a canine.

The broken line showing of a collar band and a canine in FIG. 8 is for the purpose of illustrating environmental subject matter and forms no part of the design. All other broken lines shown in the drawings depict portions of the collar charm that form no part of the claimed design.

1 Claim, 5 Drawing Sheets



US D950,863 S

(58) Field of Classification Search

USPC D3/231, 229, 228, 254; D29/101.1,
 D29/101.3, 101.4, 101.5, 103, 122;
 D24/190-192, 199, 186, 207, 165, 206,
 D24/169; D10/40, 70, 50, 52, 60, 61,
 D10/104.1, 104.2; D14/344, 242;
 D12/409; D11/4; D8/333, 343, 346;
 D26/38; D21/662, 804; D2/627
 CPC A01K 27/00; A01K 27/001; A01K 27/002;
 A01K 27/003; A01K 27/004; A01K
 27/005; A01K 27/006; A01K 27/008;
 A01K 27/009; A01K 25/00; A01K 15/04;
 A01K 15/021; A01K 15/022; A01K
 11/006; A01K 11/008; B68B 1/02; B68B
 1/01

See application file for complete search history.

(56) References Cited

U.S. PATENT DOCUMENTS

1,380,177	A	5/1921	Louis	
1,402,827	A	1/1922	Louis	
1,754,200	A	4/1930	Janes	
1,839,896	A	1/1932	Theodore	
2,364,266	A	12/1944	Edward	
3,251,110	A	5/1966	John	
3,477,409	A	11/1969	Costanzo	
3,782,017	A	1/1974	Graham	
D242,675	S	12/1976	McNair	
4,208,986	A	6/1980	Costanzo	
4,318,234	A	3/1982	Charles et al.	
D264,260	S	5/1982	Terino	
4,742,503	A	5/1988	Braun et al.	
4,748,938	A *	6/1988	Owen A01K 27/009 119/650	
4,802,482	A *	2/1989	Gonda A01K 15/021 119/720	
4,809,700	A	3/1989	Castelli et al.	
D300,678	S	4/1989	Barrault	
4,821,424	A	4/1989	Loggins	
4,881,492	A	11/1989	Jones	
4,940,020	A	7/1990	Gordon	
D337,411	S	7/1993	Smith	
D349,864	S	8/1994	Dunlap et al.	
5,473,830	A	12/1995	Doble	
5,603,094	A	2/1997	Greear	
5,623,731	A	4/1997	Ehrgott et al.	
D410,206	S	5/1999	Slater	
6,202,599	B1	3/2001	Cutler	
D445,352	S *	7/2001	So D30/199	
6,314,058	B1	11/2001	Lee	
D454,991	S	3/2002	Muller	
D460,221	S	7/2002	Sloot	
D464,941	S	10/2002	Latto et al.	
D471,678	S	3/2003	Hanna	
D478,830	S	8/2003	So	
6,695,269	B1	2/2004	Anscher	
6,720,879	B2	4/2004	Edwards	
6,805,460	B1	10/2004	Zoller et al.	
D516,754	S	3/2006	Curtis	
D521,927	S	5/2006	Franck et al.	
D523,188	S	6/2006	Lord	
D524,282	S	7/2006	Beasley et al.	
7,107,941	B2	9/2006	Wang	
7,140,989	B2	11/2006	Poruchny	
D535,281	S	1/2007	Yang	
D537,409	S	2/2007	Suzuki	
D558,209	S	12/2007	Ikeda et al.	
D565,182	S	3/2008	Cheng et al.	
7,341,561	B2	3/2008	Tanaka et al.	
D575,009	S	8/2008	Murrell	
D575,289	S	8/2008	Kuo et al.	
D584,176	S	1/2009	Maruyama et al.	
D591,012	S	4/2009	Geissler	

D592,078	S *	5/2009	Tang D10/30
D592,647	S	5/2009	L'Henaff et al.
D594,404	S	6/2009	Kuo et al.
D594,874	S	6/2009	Sheba et al.
D597,676	S	8/2009	Copeland et al.
D599,241	S	9/2009	Andre et al.
D607,617	S	1/2010	Golenz
D608,277	S	1/2010	Cano et al.
D609,636	S	2/2010	Jensen
7,705,736	B1	4/2010	Kedziora
D618,802	S	6/2010	Brady et al.
D619,256	S	7/2010	Brady et al.
D619,308	S	7/2010	Roysky
D625,262	S	10/2010	Lee et al.
D627,718	S	11/2010	Houghton
D656,096	S	3/2012	Sasada et al.
D657,274	S	4/2012	Neethling
D663,684	S	7/2012	Yang
D663,685	S	7/2012	Yang
D667,322	S	9/2012	Madrack
D668,562	S	10/2012	Madrack
D669,027	S	10/2012	Kumpula et al.
D671,921	S	12/2012	Beall et al.
D673,110	S	12/2012	Sasada et al.
D673,908	S	1/2013	Koch
8,353,603	B2	1/2013	Berry et al.
8,356,579	B2	1/2013	Sullivan
D680,541	S	4/2013	Lee et al.
D693,814	S	11/2013	Park
D694,228	S	11/2013	Richter
D695,468	S	12/2013	Finlan
D698,376	S	1/2014	Funato et al.
D704,634	S	5/2014	Eidelman et al.
D706,321	S	6/2014	Oetlinger et al.
D709,396	S	7/2014	Eidelman et al.
D714,498	S *	9/2014	Khubani D30/199
D724,971	S	3/2015	Bailey et al.
D724,991	S	3/2015	Oh
D725,511	S	3/2015	Read et al.
D725,841	S	3/2015	So
D725,850	S	3/2015	Eidelman et al.
D742,817	S	11/2015	Lammers-Meis et al.
9,179,647	B2	11/2015	Lambert
D744,656	S *	12/2015	Schempp D24/165
D744,658	S	12/2015	Hilkey-Boyatt
D745,421	S	12/2015	Akana et al.
D749,570	S	2/2016	Lee
D761,138	S	7/2016	Manabe et al.
D769,869	S	10/2016	Zhou et al.
D772,745	S	11/2016	Henne et al.
D774,651	S	12/2016	Kaib et al.
D778,746	S	2/2017	Renganathan
D780,238	S	2/2017	Kato
D784,325	S	4/2017	Kim et al.
D788,999	S	6/2017	Zinn et al.
D794,206	S	8/2017	Cohrs
D797,100	S	9/2017	Wieser et al.
D798,861	S	10/2017	Wieser et al.
D800,085	S	10/2017	Shepher
D800,721	S	10/2017	Kim et al.
D805,938	S *	12/2017	Park D10/104.1
9,861,080	B1	1/2018	Hathway et al.
D812,499	S	3/2018	Kuh et al.
D815,061	S	4/2018	Wei
D815,077	S	4/2018	Sibley et al.
9,949,459	B2	4/2018	Pattie et al.
D816,520	S	5/2018	Elrod et al.
D816,917	S	5/2018	Lee
D817,558	S	5/2018	Lee et al.
D817,559	S	5/2018	Lee
D819,633	S	6/2018	Jun
9,986,791	B2	6/2018	Botkus et al.
D822,516	S *	7/2018	Van Curen D10/104.1
10,021,946	B2	7/2018	Kaneko
D828,189	S	9/2018	Benedetti
D828,816	S *	9/2018	Spors D13/162
D838,716	S	1/2019	Teng et al.
D839,753	S	2/2019	Domke et al.
D840,251	S	2/2019	Choi

(56)

References Cited

U.S. PATENT DOCUMENTS

D841,005 S 2/2019 Lin
 D844,570 S * 4/2019 Kornacki D13/162
 D846,748 S 4/2019 Benedikter
 D848,293 S * 5/2019 Laurans D10/70
 D850,627 S 6/2019 Purani et al.
 D852,436 S 6/2019 Leach
 D854,760 S * 7/2019 Mott D30/152
 10,376,020 B1 8/2019 Doyle
 D858,904 S * 9/2019 Zinn D30/152
 10,420,401 B2 9/2019 Eidelman
 D861,534 S 10/2019 Paik
 D865,301 S * 10/2019 Eidelman D30/152
 D867,685 S 11/2019 Del Moral
 10,463,021 B2 11/2019 Lee
 D871,240 S * 12/2019 Burns D10/70
 D898,613 S * 10/2020 Stapleton D11/216
 D906,526 S * 12/2020 Wade D24/186
 D910,187 S * 2/2021 Benedikter D24/186
 D911,706 S * 3/2021 Hyun D3/273
 D918,071 S * 5/2021 Nothacker D10/70
 2001/0004238 A1 * 6/2001 Gerig A01K 15/021
 340/573.3
 2002/0010390 A1 1/2002 Guice et al.
 2003/0094145 A1 5/2003 Cheng
 2003/0116101 A1 6/2003 Kim et al.
 2006/0000194 A1 1/2006 Duncan et al.
 2006/0236955 A1 10/2006 Lord
 2006/0236956 A1 10/2006 Lord
 2007/0209604 A1 9/2007 Groh et al.
 2007/0221140 A1 9/2007 Warren et al.
 2008/0210176 A1 9/2008 Lalor
 2009/0013939 A1 1/2009 Santiago et al.
 2009/0038670 A1 2/2009 Shu
 2010/0162966 A1 * 7/2010 McFarland A01K 27/001
 119/794
 2012/0048213 A1 3/2012 Konovalov
 2013/0006065 A1 1/2013 Yanai et al.
 2013/0099920 A1 4/2013 Song

2014/0290013 A1 10/2014 Eidelman et al.
 2016/0150857 A1 6/2016 Botkus
 2016/0216130 A1 7/2016 Abramson
 2016/0253889 A1 9/2016 Keyton
 2016/0269868 A1 9/2016 Su
 2017/0079383 A1 3/2017 Huang
 2017/0208775 A1 7/2017 Van Curen et al.
 2018/0098525 A1 4/2018 Lee et al.
 2019/0183094 A1 * 6/2019 Arnett A01K 27/005
 2020/0015456 A1 * 1/2020 Van Curen A01K 27/009

FOREIGN PATENT DOCUMENTS

CN 105981418 B 11/2019
 CN 305855591 * 6/2020
 DE 202005013615 U1 11/2005
 EP 007428107-0001 * 2/2020
 GB 9007428099-0001 * 12/2019
 JP 1602690 S 4/2017

OTHER PUBLICATIONS

Whistle Go—Health & Location Tracker for Pets—Waterproof GPS Pet Tracker, published Jul. 23, 2019 [online][retrieved May 17, 2021], Available from Internet, URL: https://www.amazon.com/Whistle-100-04101-00-Health-Location-Tracker/dp/B07TB5M9FC/ref=sr_1_12?dchild=1&keywords=whistle+dog&qid=1621017829&sr=8-12.*
 Whistle FIT, published 2018 [online], [retrieved on Jul. 17, 2018], Available from internet, URL: <https://www.petinsight.com/whistle-fit/>, 5 pgs.
 “Amazon.com, Inc. Web page, JPO’s Prior Design Ref. No. HJ27044048”, Date first available, Oct. 5, 2015, 7 pp.
 “U.S. Appl. No. 29/580,756, filed Oct. 12, 2016, 6 pgs”.
 “Whistle 3 GPS Pet Tracker & Activity, Available for sale Jun. 8, 2007 [online]”, Amazon.com, [Retrieved on Jul. 1, 2018], Available from internet URL: https://www.amazon.com/dp/b01n7mwkwy/ref=sspa_dk_detail_1?pcs=1,9 pages.

* cited by examiner

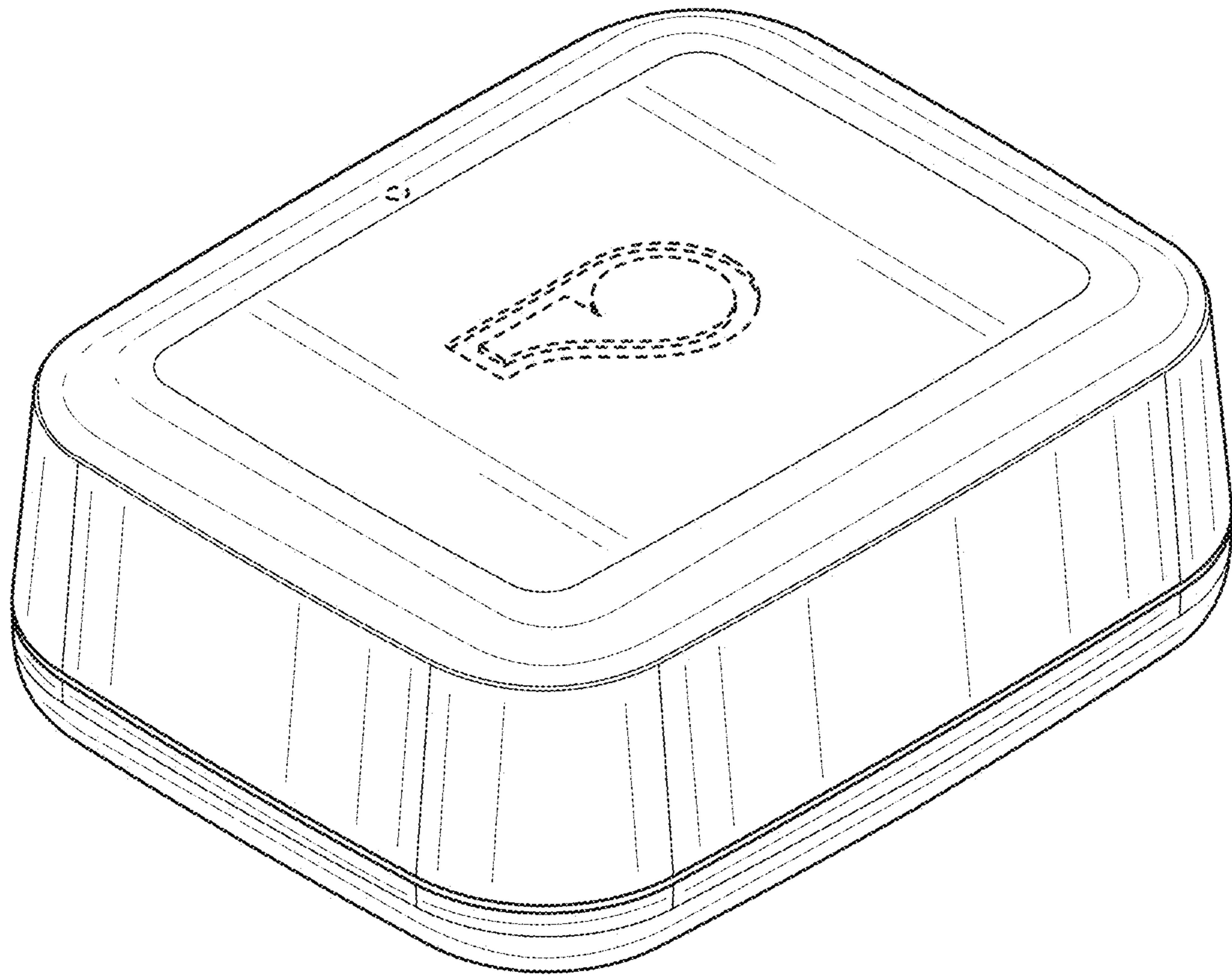


FIG. 1

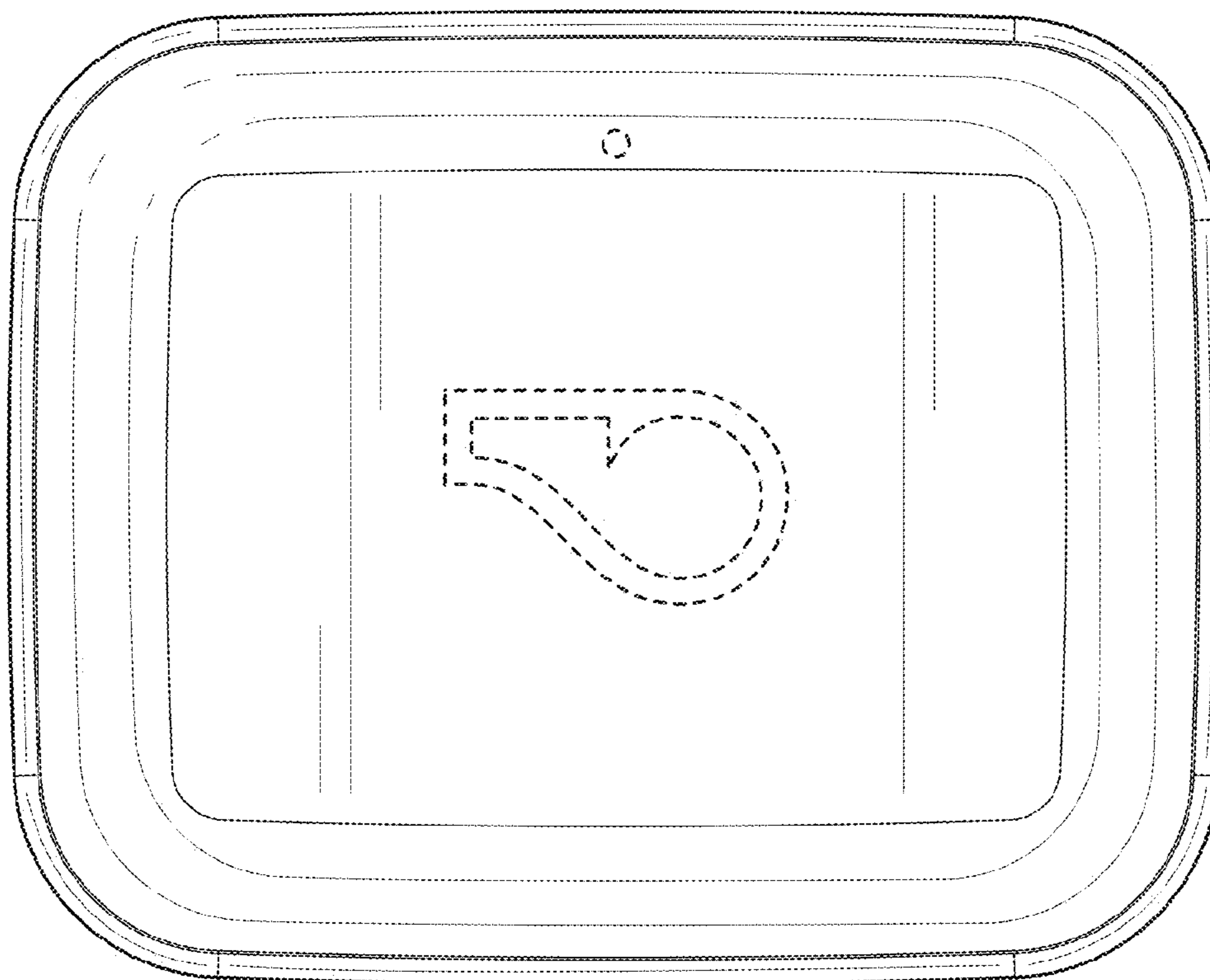


FIG. 2

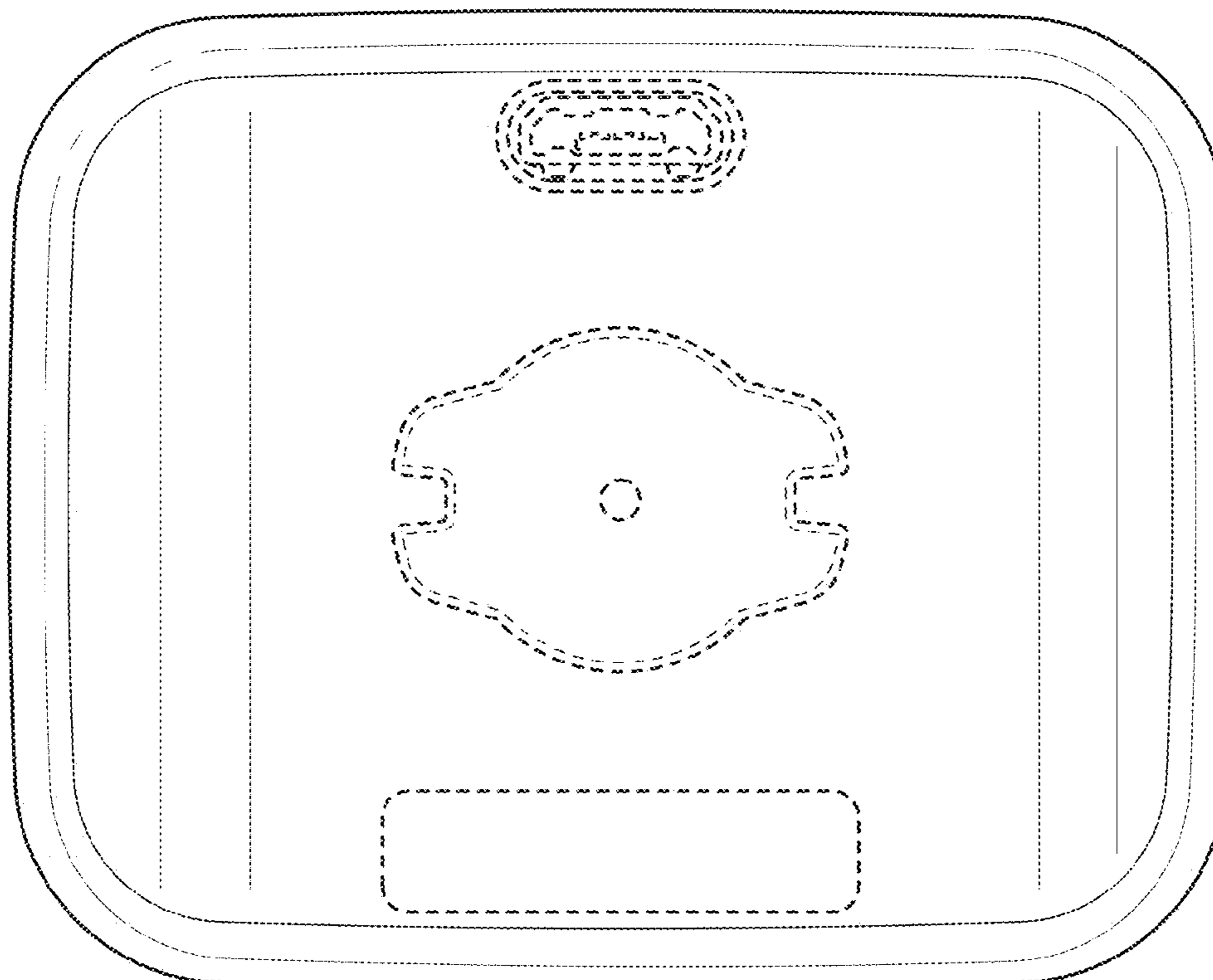


FIG. 3

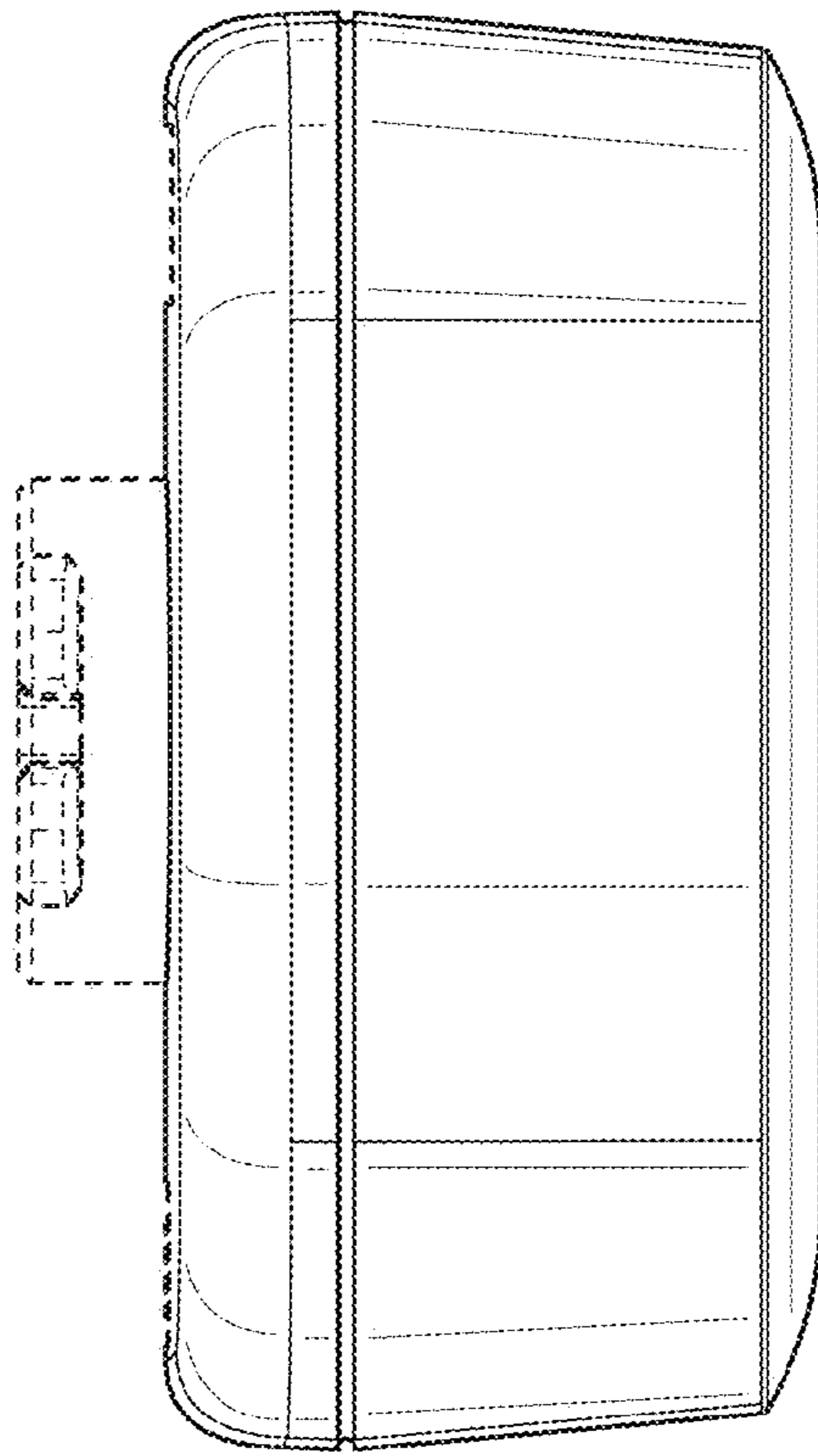


FIG. 4

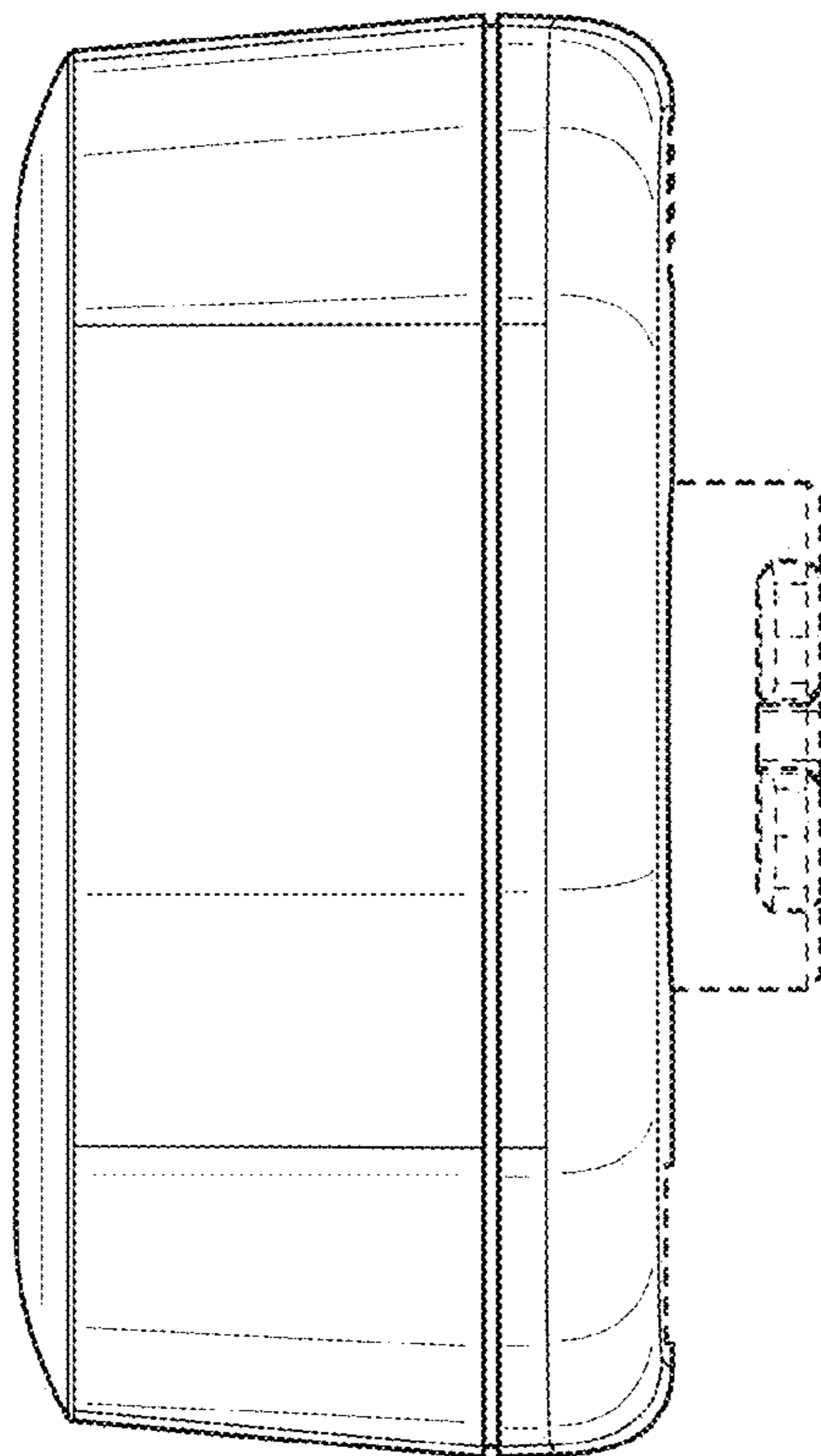


FIG. 5

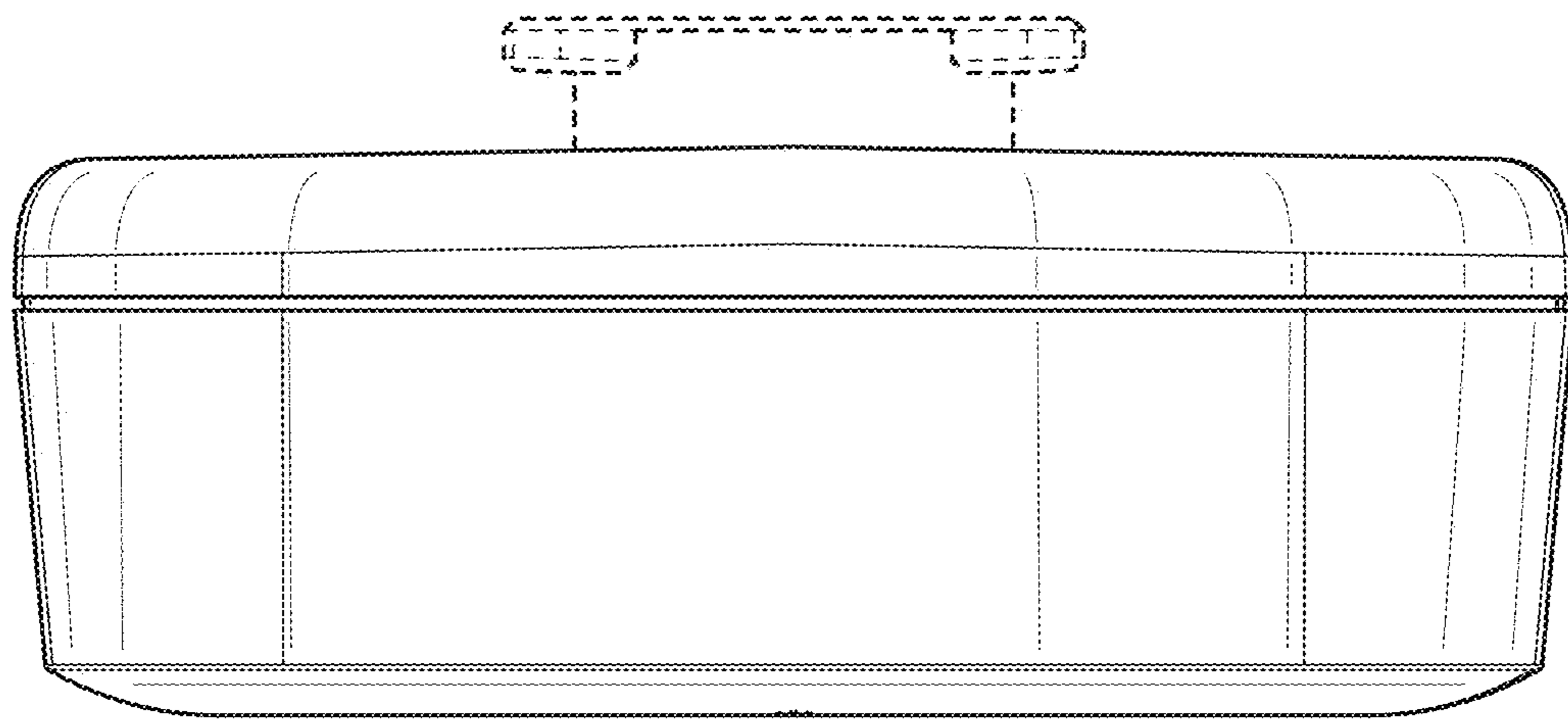


FIG. 6

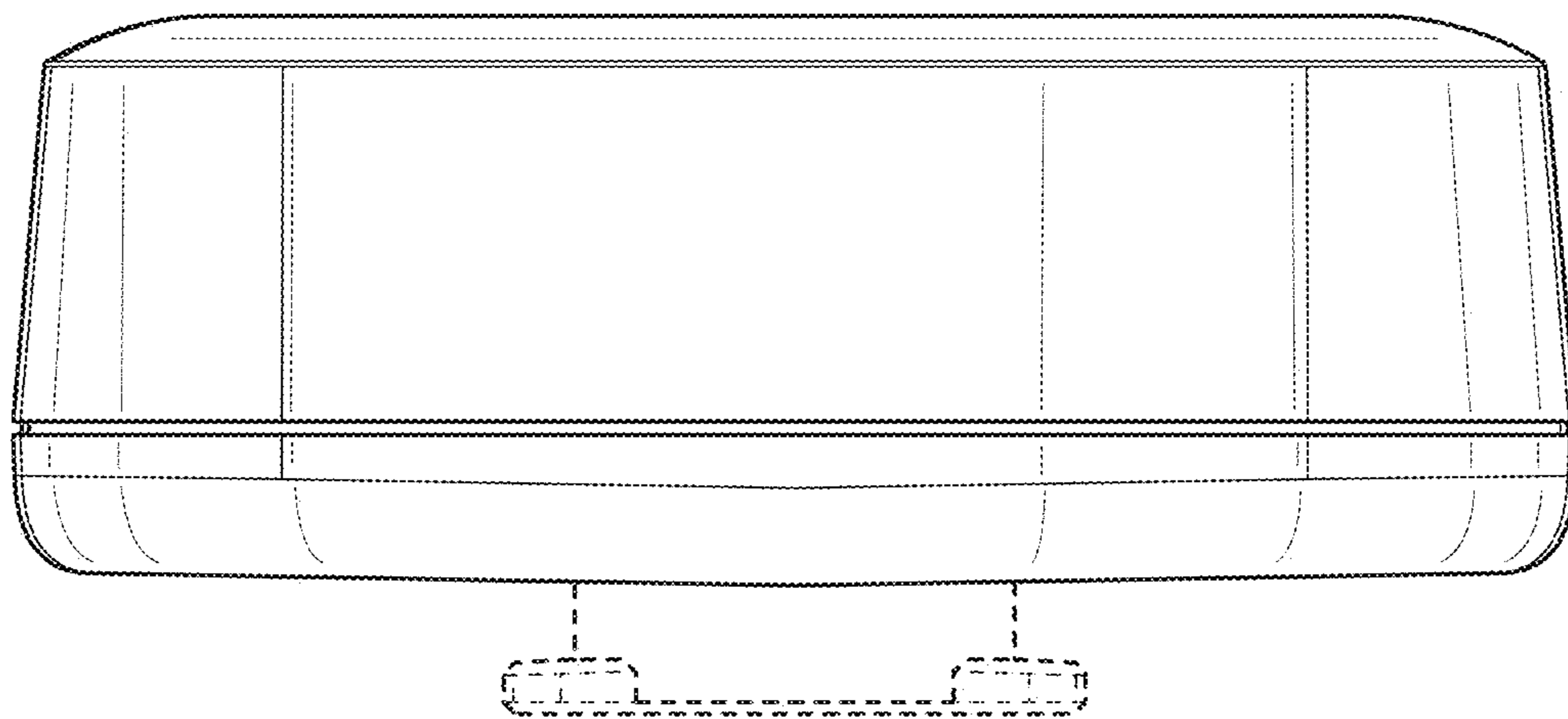


FIG. 7

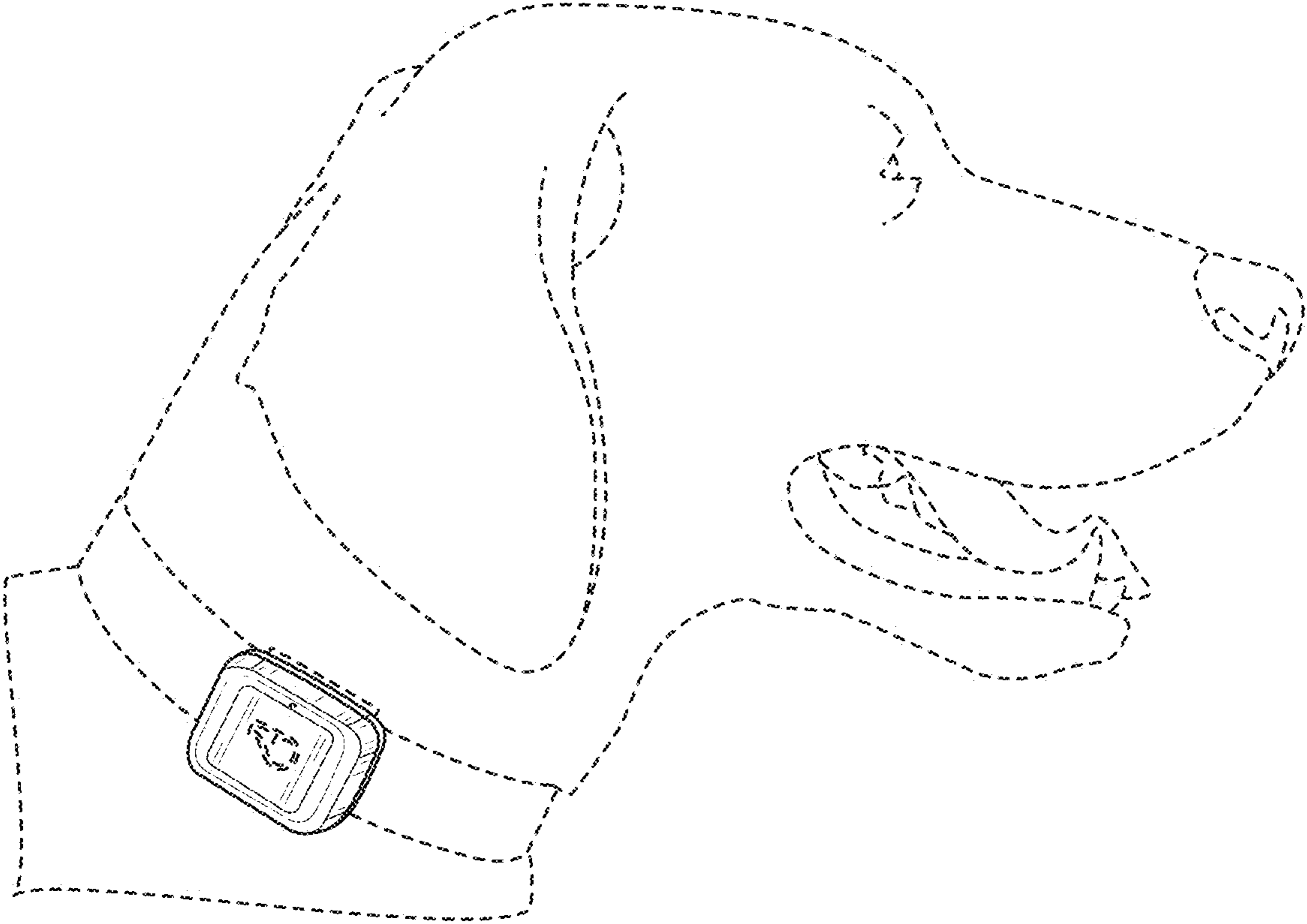


FIG. 8