



US00D950862S

(12) **United States Design Patent** (10) **Patent No.:** **US D950,862 S**  
**Wang** (45) **Date of Patent:** **\*\* May 3, 2022**

(54) **WATER DRINKING DEVICE FOR ANIMALS**

FOREIGN PATENT DOCUMENTS

(71) Applicant: **Lingbo Wang**, Hubei (CN)

CN 304546885 \* 9/2007  
CN 304495765 \* 9/2017

(72) Inventor: **Lingbo Wang**, Hubei (CN)

(\*\*) Term: **15 Years**

OTHER PUBLICATIONS

(21) Appl. No.: **29/777,670**

Naughty Paws fountain Jul. 4, 2020 found on Oct. 1, 2021 at: <https://www.amazon.com/NautyPaws-Stainless-Dispenser-Replacement-Pre-Filter/dp/B088H3WD7M/> (Year: 2020).\*

(22) Filed: **Apr. 7, 2021**

Veken fountain Jun. 18, 2018 found on Oct. 1, 2021 at: <https://www.amazon.com/Veken-Fountain-Automatic-Dispenser-Replacement/dp/B07DLXF7XL/> (Year: 2018).\*

(30) **Foreign Application Priority Data**

Oct. 21, 2020 (CN) ..... 202030626501.7

\* cited by examiner

(51) **LOC (13) Cl.** ..... **30-03**

*Primary Examiner* — Karen S Acker

(52) **U.S. Cl.**

*Assistant Examiner* — Jonathan E Fiencke

USPC ..... **D30/132**

(58) **Field of Classification Search**

USPC ..... D30/121–133; D23/202, 207, 209, 213,  
D23/222, 225, 255–256, 272–273

(57) **CLAIM**

CPC .. A01K 5/0114; A01K 5/0121; A01K 5/0135;  
A01K 7/005; A01K 7/00; A01K 39/02;  
F04B 23/00; F04B 23/02; Y10T  
137/86035; Y10T 137/8376

The ornamental design for a water drinking device for animals, as shown and described.

See application file for complete search history.

**DESCRIPTION**

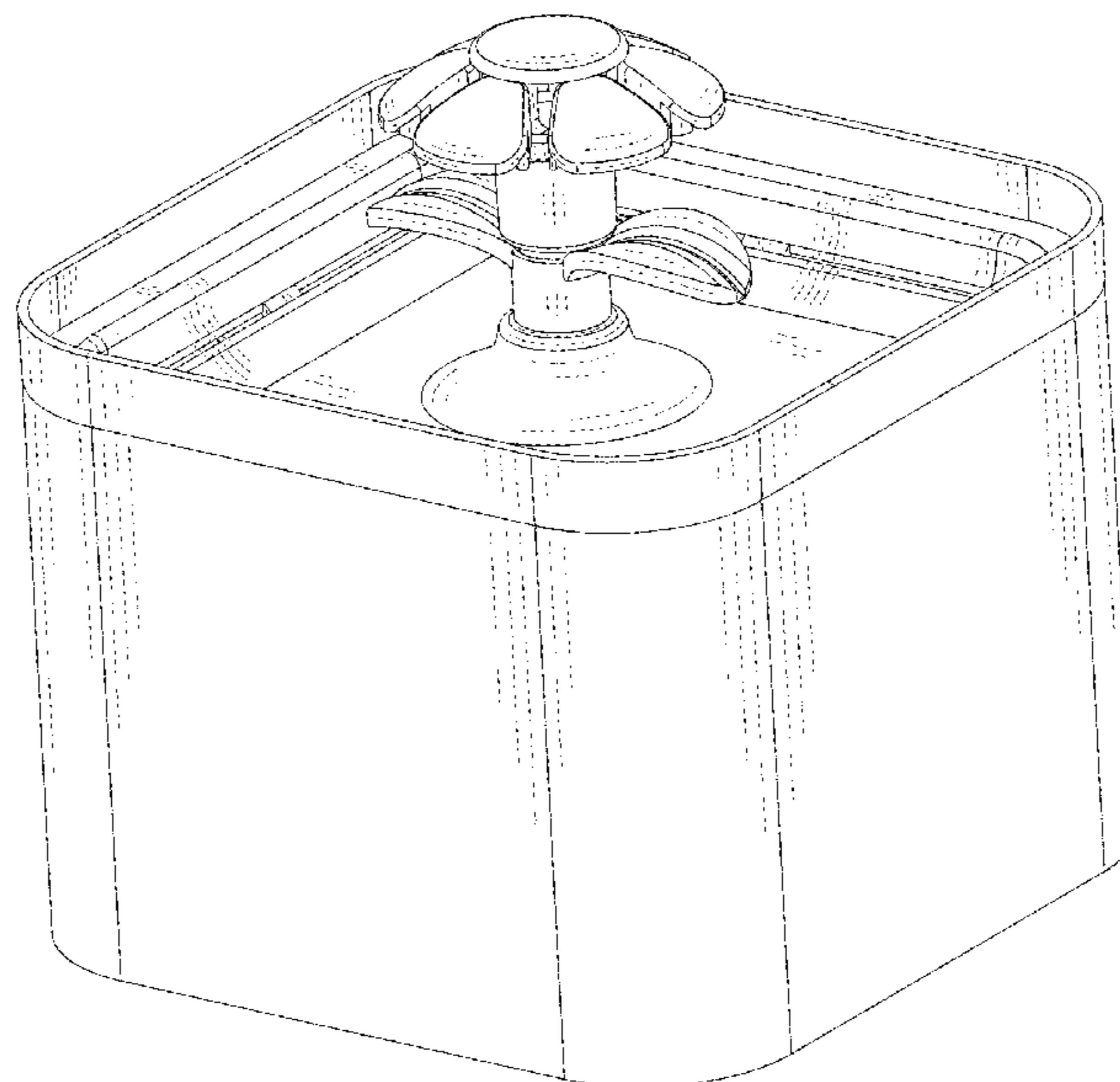
(56) **References Cited**

U.S. PATENT DOCUMENTS

D738,579 S	*	9/2015	Owens	.....	D30/132
D820,533 S	*	6/2018	Huang	.....	D30/132
D849,336 S	*	5/2019	Huang	.....	D30/132
D849,337 S	*	5/2019	Huang	.....	D30/132
D850,731 S	*	6/2019	Wu	.....	D30/132
D893,810 S	*	8/2020	Wu	.....	D30/132
D894,500 S	*	8/2020	Cui	.....	D30/132
D912,333 S	*	3/2021	Wang	.....	D30/132
D912,910 S	*	3/2021	Xue	.....	D30/132
D914,300 S	*	3/2021	Wu	.....	D30/132
D917,660 S	*	4/2021	Lu	.....	D23/201
D918,491 S	*	5/2021	Milsom	.....	D30/132
D927,798 S	*	8/2021	Tao	.....	D30/132

FIG. 1 is a front elevational view of a water drinking device for animals showing my new design;  
FIG. 2 is a rear elevational view thereof;  
FIG. 3 is a left side view thereof;  
FIG. 4 is a right side view thereof;  
FIG. 5 is a top plan view thereof;  
FIG. 6 is a bottom plan view thereof;  
FIG. 7 is a top, front and right side perspective view thereof;  
and,  
FIG. 8 is a top, rear and left side perspective view thereof.  
The broken lines in the drawings illustrate portions of the water drinking device for animals which form no part of the claimed design.

**1 Claim, 8 Drawing Sheets**



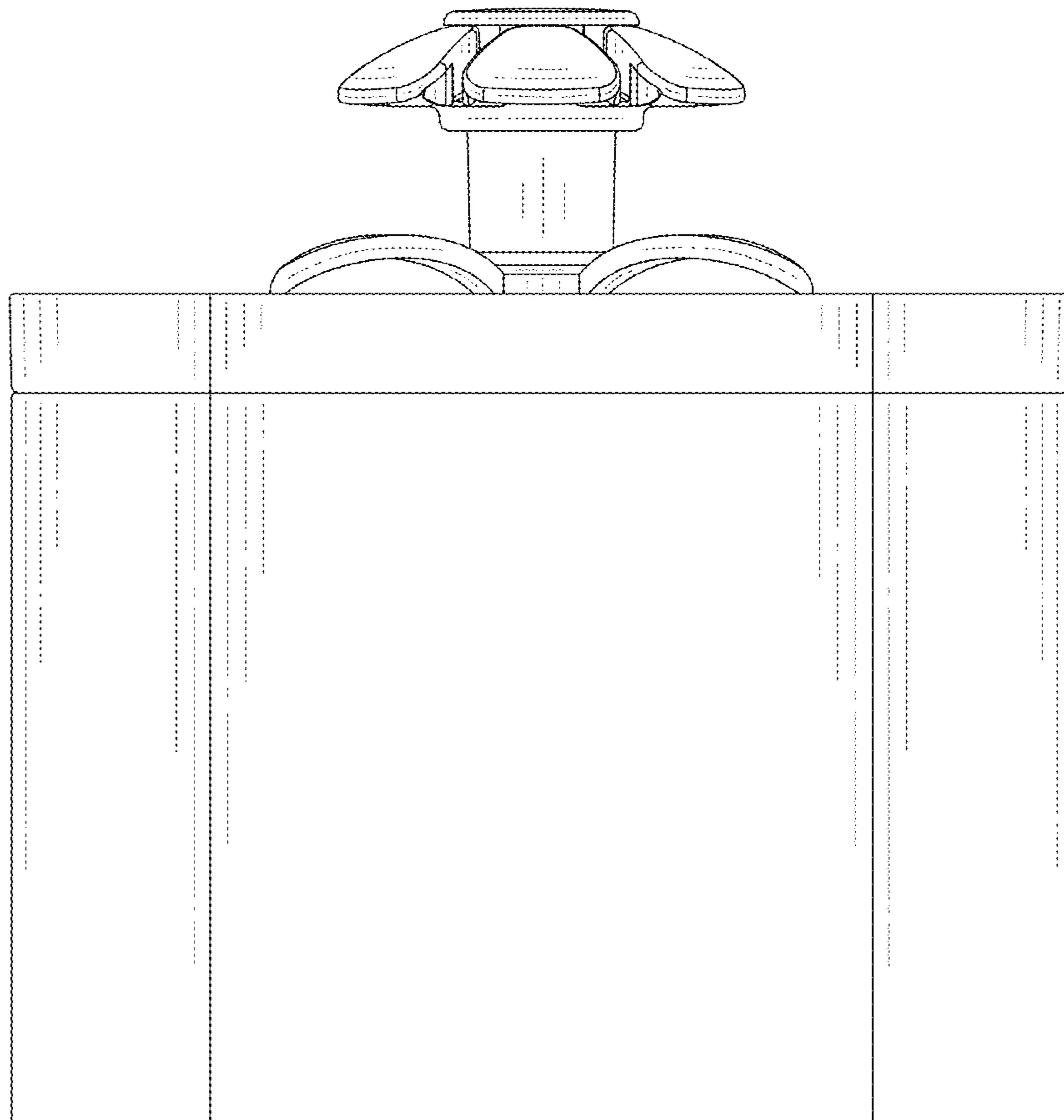


FIG. 1

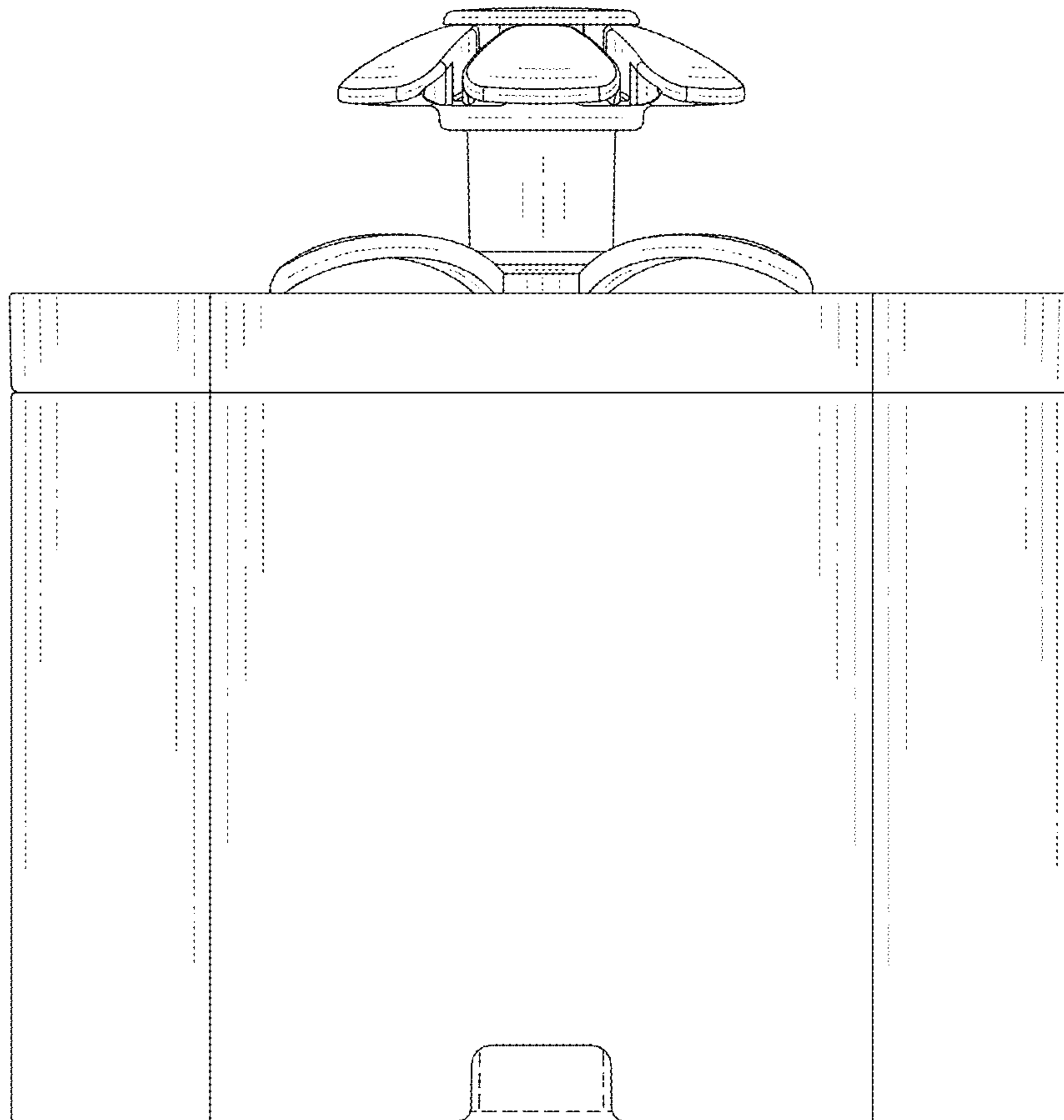


FIG.2

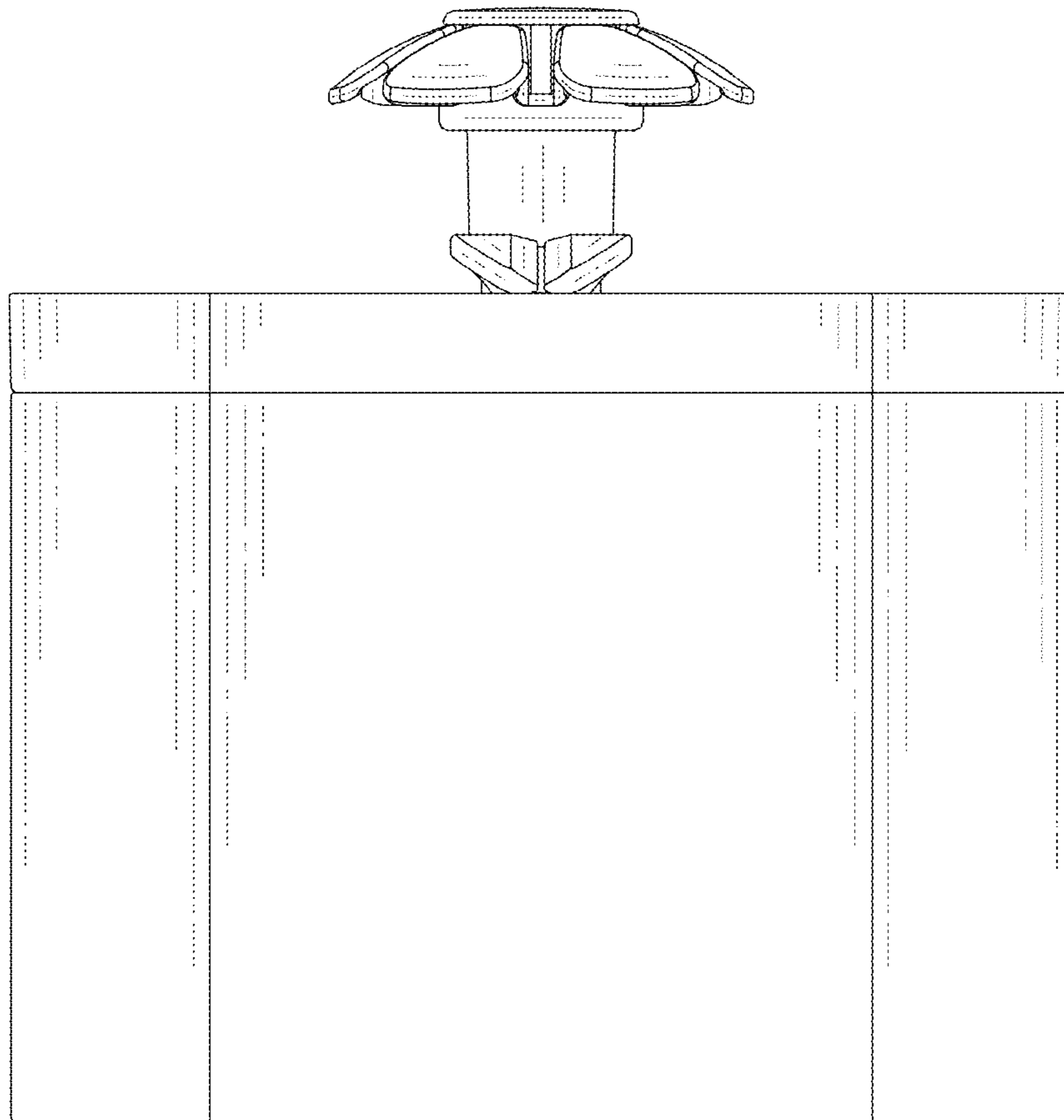


FIG.3

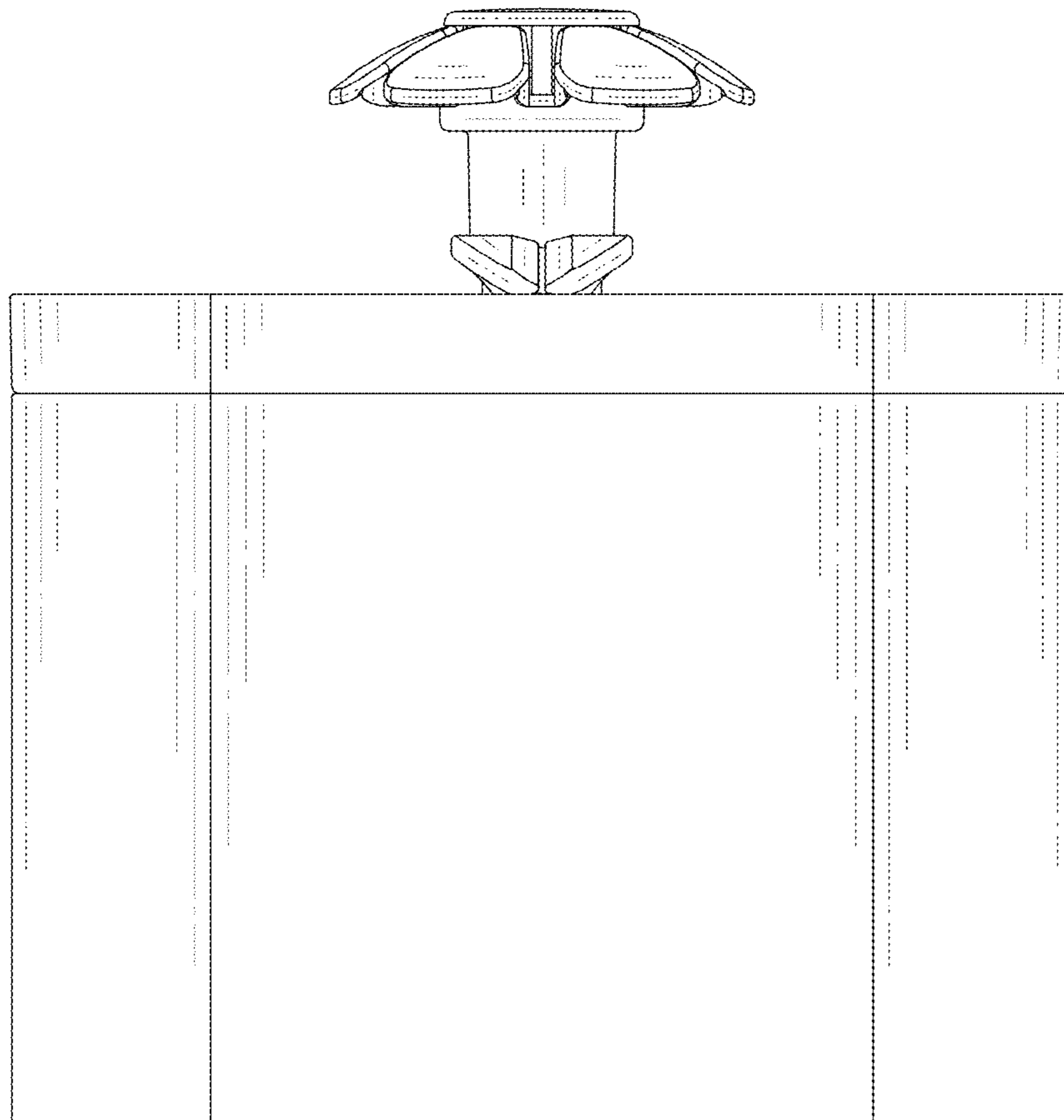


FIG.4

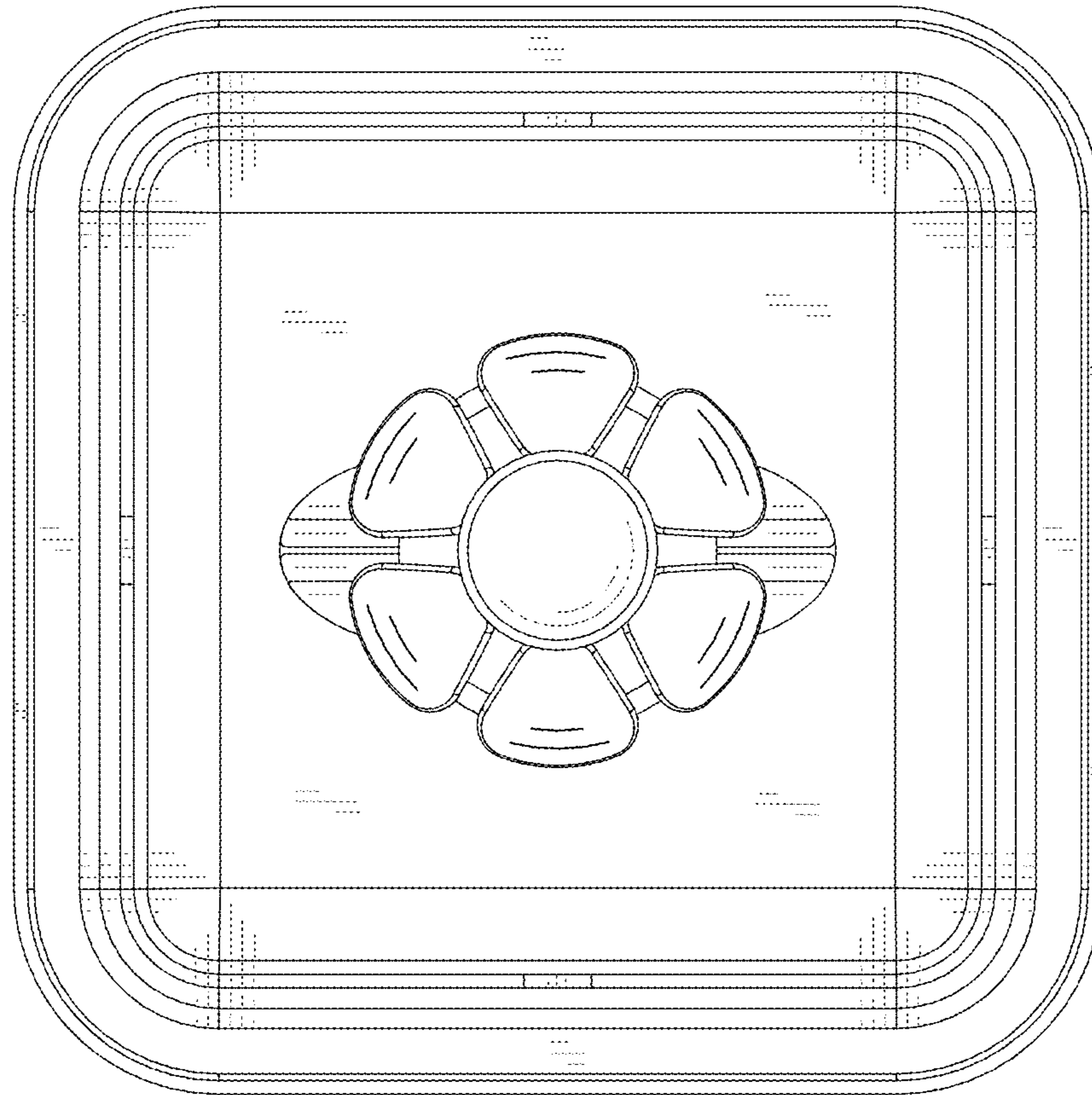


FIG.5

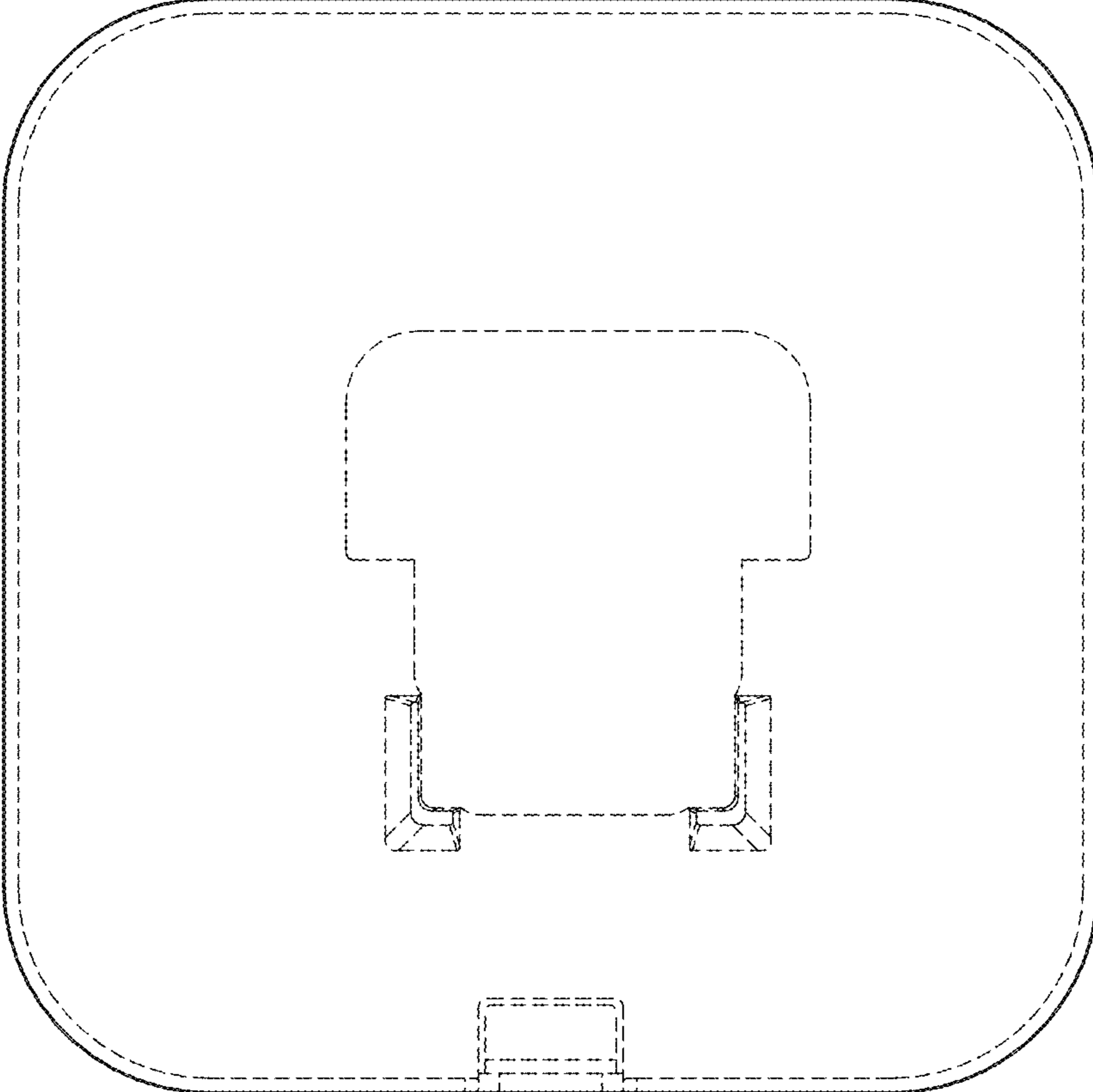


FIG. 6



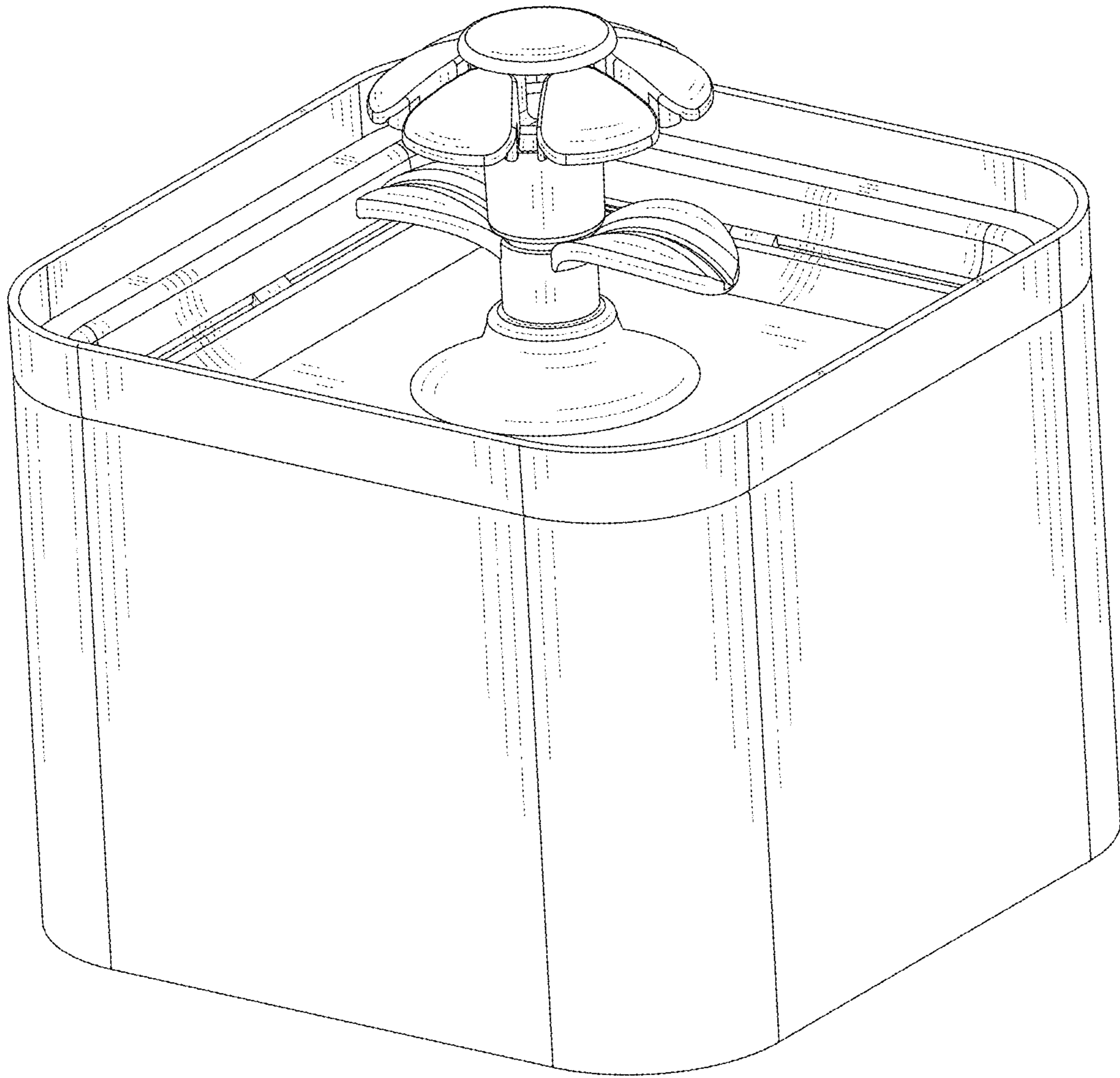


FIG.7



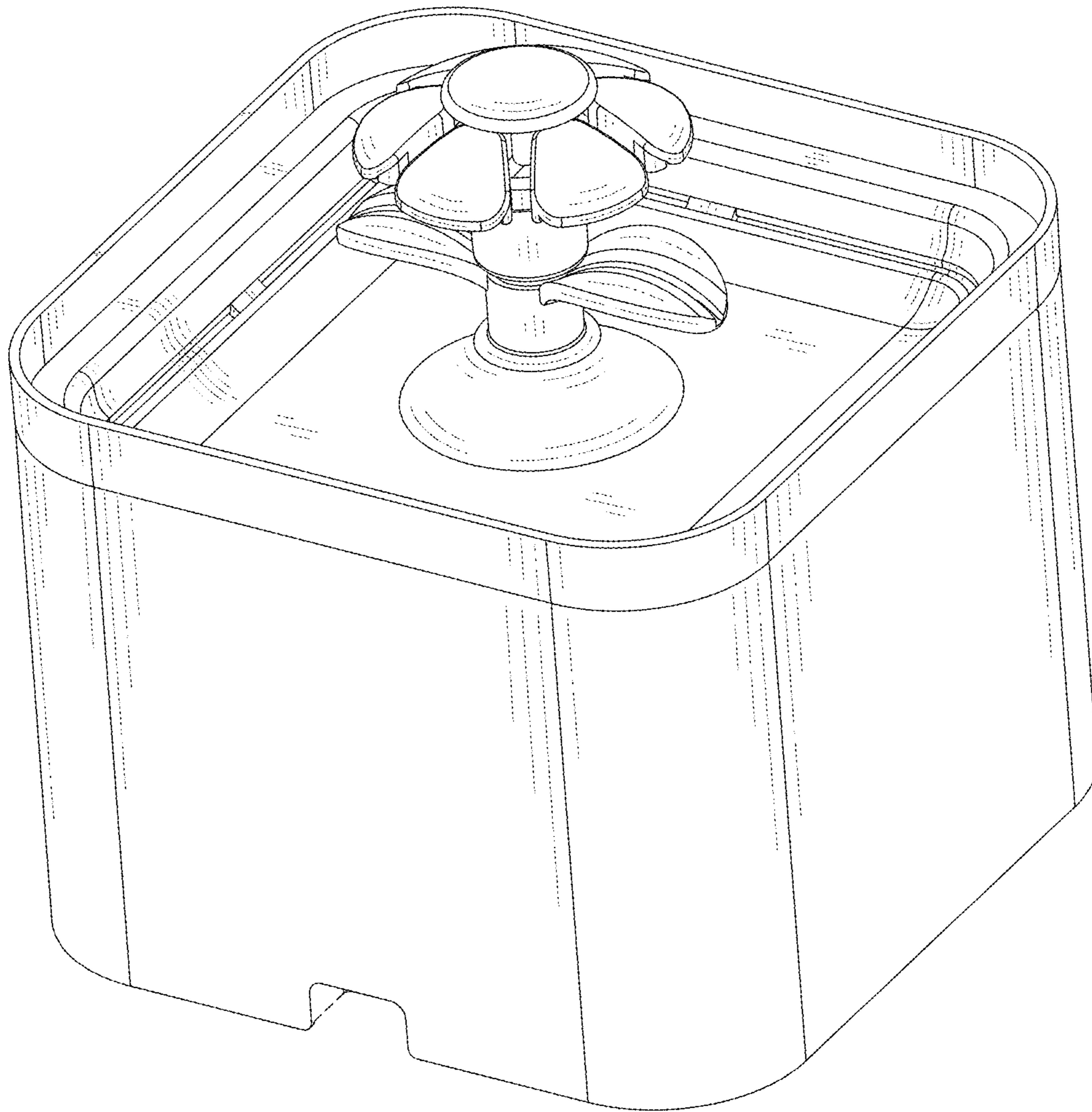


FIG.8