



US00D950861S

(12) **United States Design Patent** (10) **Patent No.:** **US D950,861 S**
Tu (45) **Date of Patent:** **** May 3, 2022**

(54) **WATER DRINKING DEVICE FOR PETS**

(71) Applicant: **Zhushi Tu**, Hubei (CN)

(72) Inventor: **Zhushi Tu**, Hubei (CN)

(**) Term: **15 Years**

(21) Appl. No.: **29/753,179**

(22) Filed: **Sep. 30, 2020**

(30) **Foreign Application Priority Data**

Aug. 17, 2020 (CN) 202030467882.9

(51) **LOC (13) Cl.** **30-03**

(52) **U.S. Cl.**
USPC **D30/132**

(58) **Field of Classification Search**
USPC D23/202, 207, 209, 213, 222, 225,
D23/255-256, 272-273; D30/121-133
CPC .. A01K 5/0114; A01K 5/0121; A01K 5/0135;
A01K 7/005; A01K 7/00; A01K 39/02;
F04B 23/00; F04B 23/02; Y10T
137/86035; Y10T 137/8376
See application file for complete search history.

(56) **References Cited**

U.S. PATENT DOCUMENTS

- 4,085,706 A * 4/1978 Evans A01K 5/0114
119/61.54
- D555,295 S * 11/2007 Donegan D30/121
- D582,102 S * 12/2008 Roes D30/121
- D623,806 S * 9/2010 Modi D30/129
- D636,539 S * 4/2011 Montoya D30/129
- D694,477 S * 11/2013 Rowe D30/132
- D696,820 S * 12/2013 DiOrio D30/124
- D704,903 S * 5/2014 Fang D30/132

- D739,176 S * 9/2015 Renforth D7/396.6
- D764,117 S * 8/2016 Fang D30/132
- D805,700 S * 12/2017 Owens, III A01K 5/0114
D30/129
- D819,898 S * 6/2018 Poisson A01K 7/005
D30/132
- 2019/0159426 A1* 5/2019 Pyter A01K 7/005

* cited by examiner

Primary Examiner — Karen S Acker
Assistant Examiner — Jonathan E Fiencke

(57) **CLAIM**

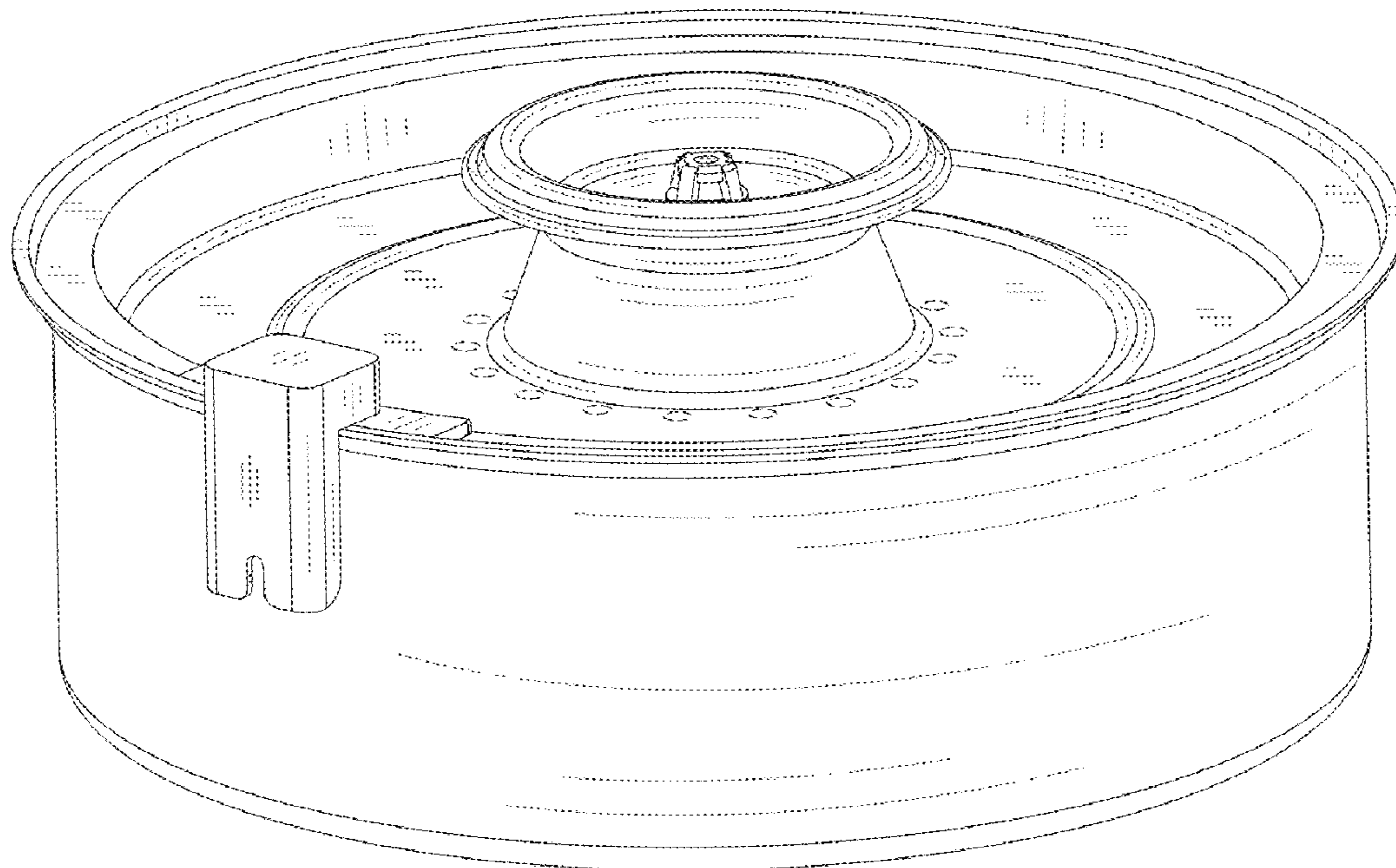
The ornamental design for a water drinking device for pets, as shown and described.

DESCRIPTION

FIG. 1 is a front elevational view of a water drinking device for pets showing my new design; FIG. 2 is a rear elevational view thereof; FIG. 3 is a left side view thereof; FIG. 4 is a right side view thereof; FIG. 5 is a top plan view thereof; FIG. 6 is a bottom plan view thereof; FIG. 7 is a top, front and right side perspective view thereof; FIG. 8 is a top, rear and left side perspective view thereof; FIG. 9 is a bottom and rear perspective view thereof; FIG. 10 is an enlarged detail view of area 10 circumscribed within FIG. 5; and, FIG. 11 is an enlarged detail view of area 11 circumscribed within FIG. 7.

The broken lines and all areas within them in the drawings depict portions of the water drinking device for pets which form no part of the claimed design. The dot dash dot broken lines in the drawings denote the boundaries of the detail areas and form no part of the claim.

1 Claim, 11 Drawing Sheets



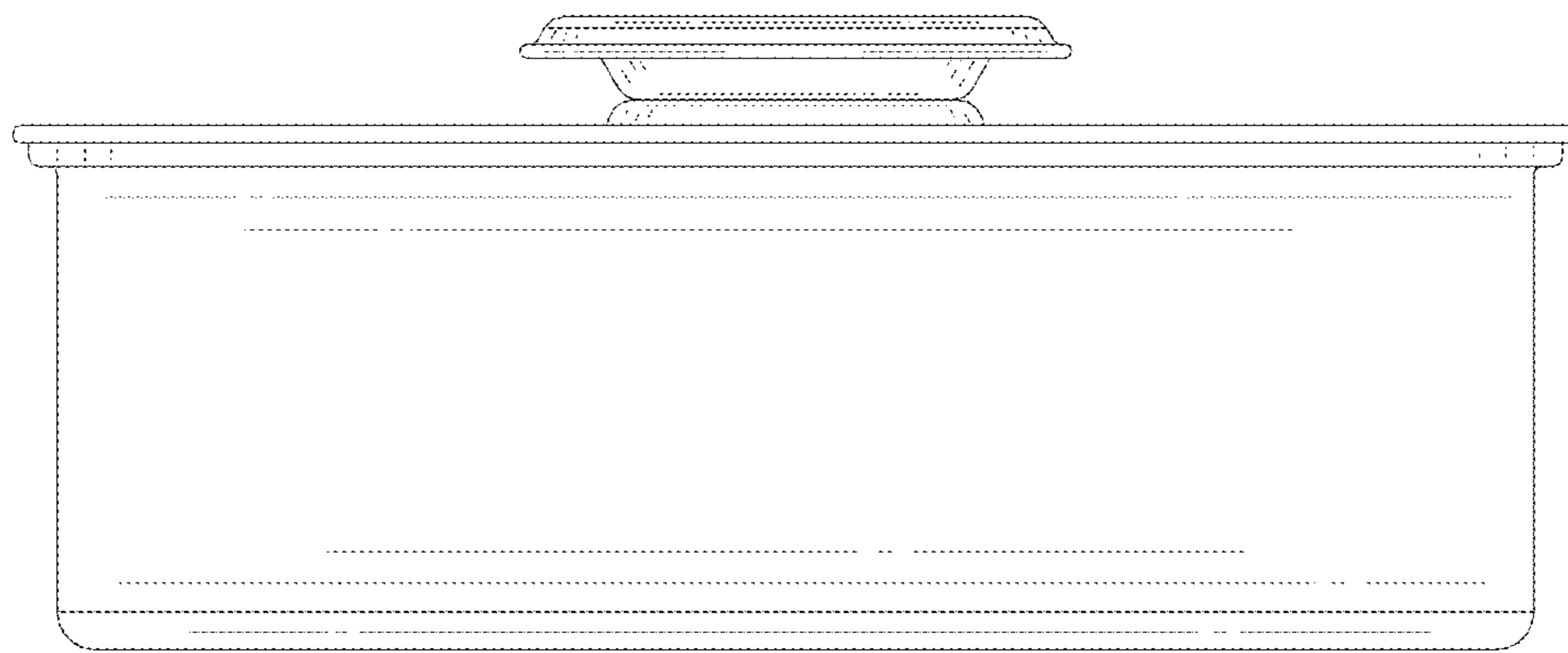


FIG. 1

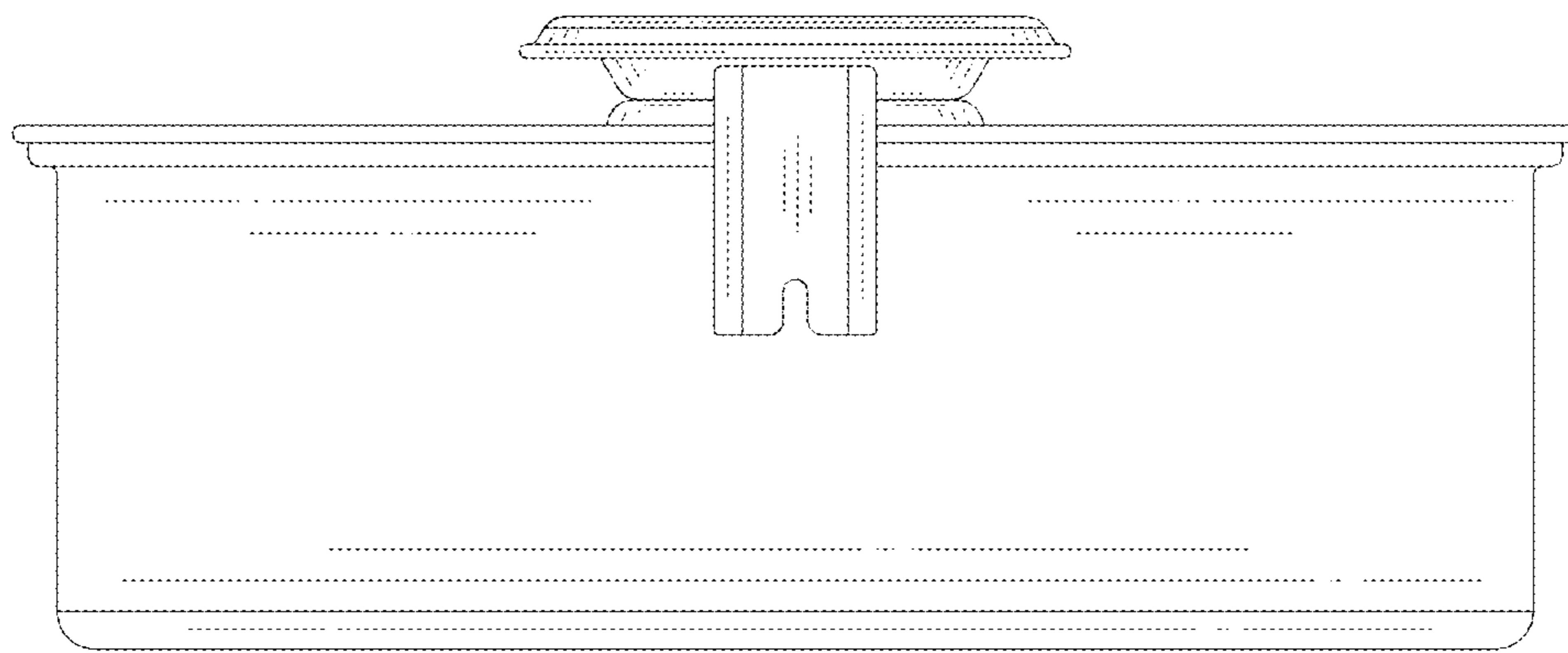


FIG. 2

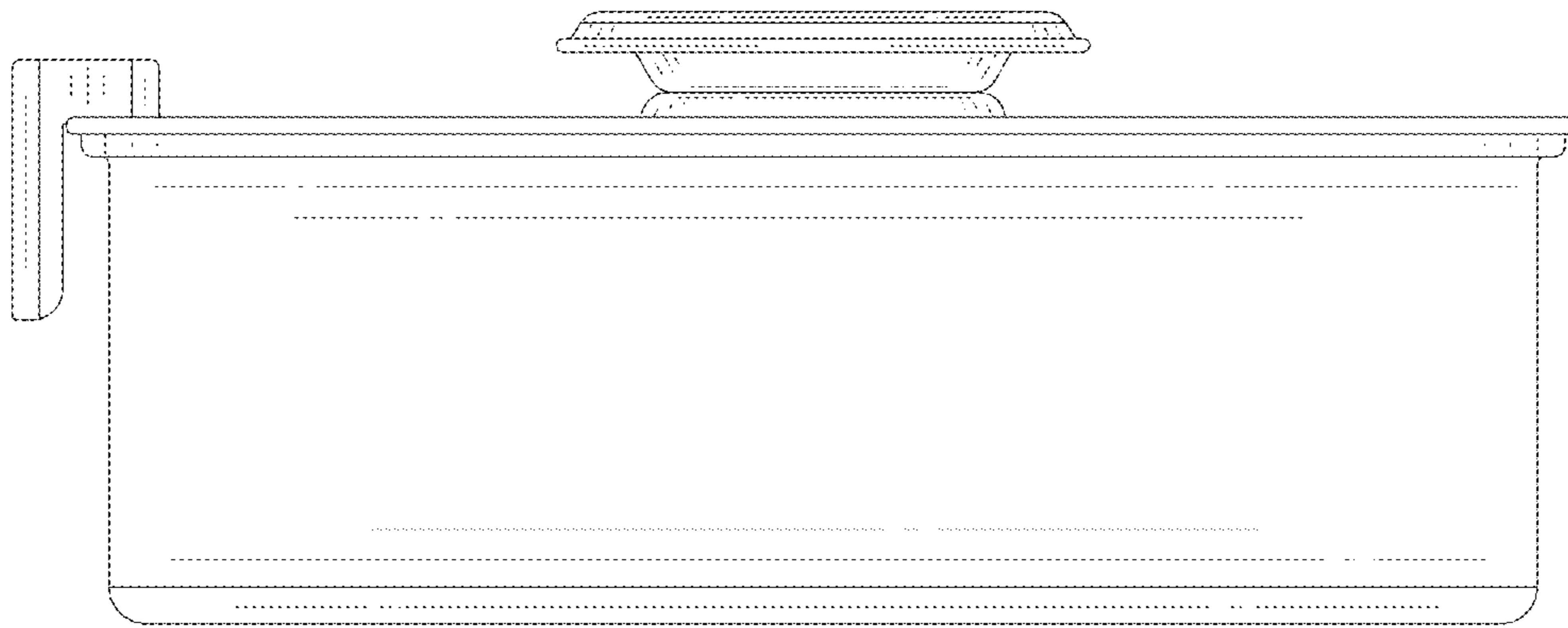


FIG. 3

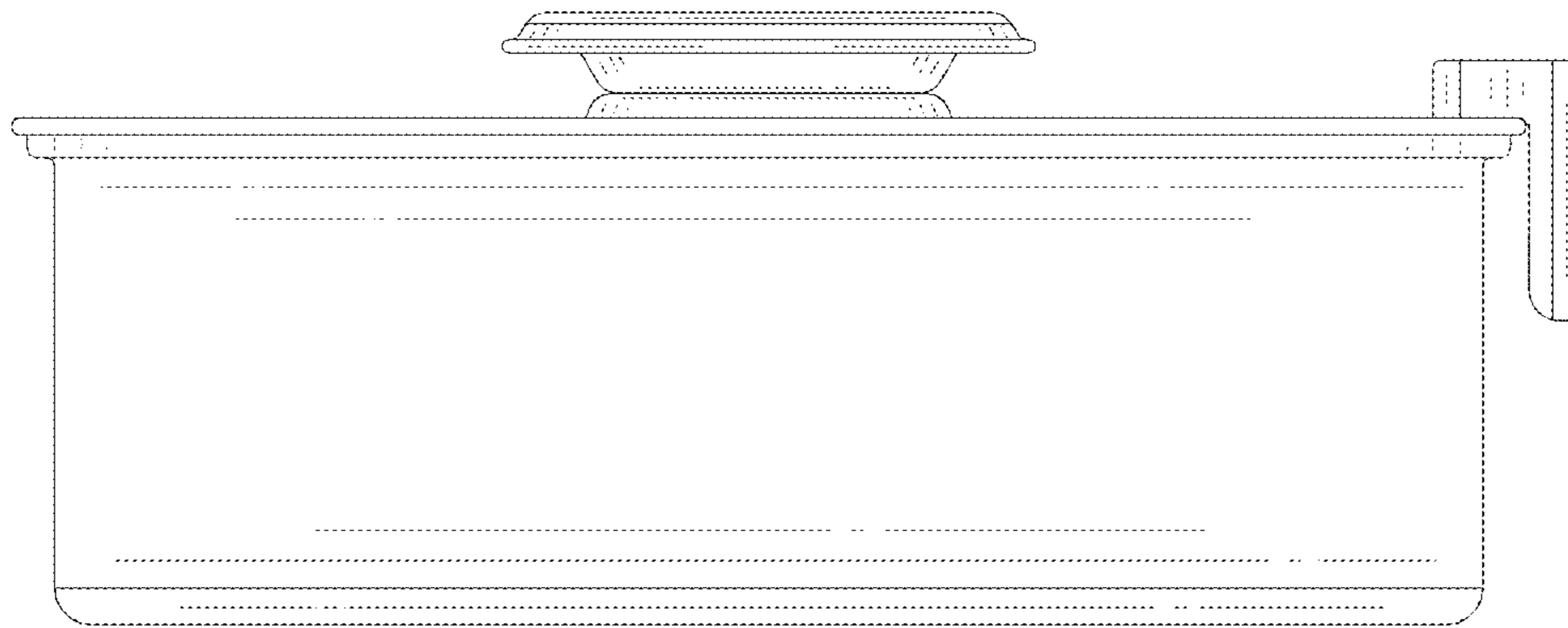


FIG. 4

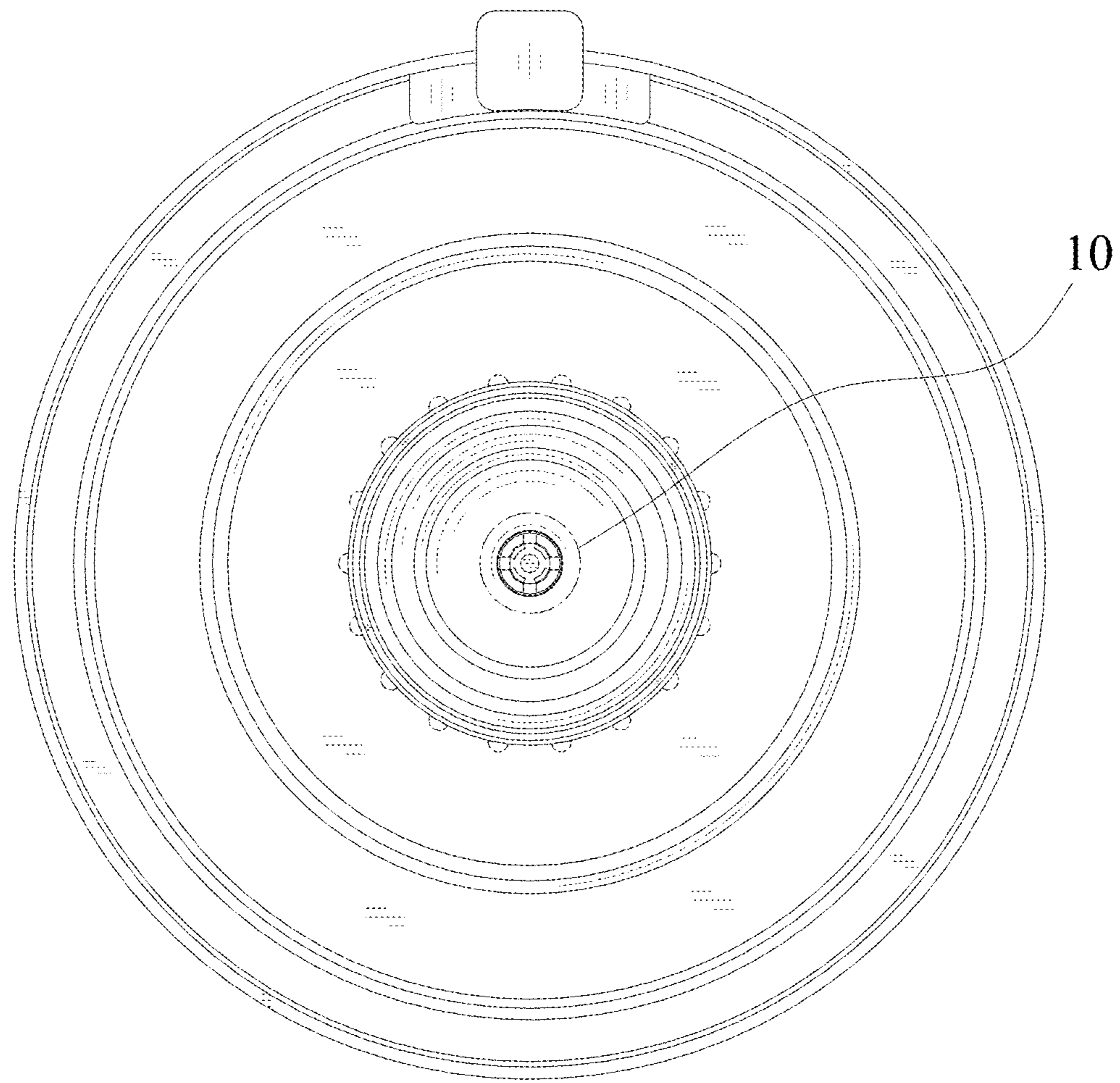


FIG. 5

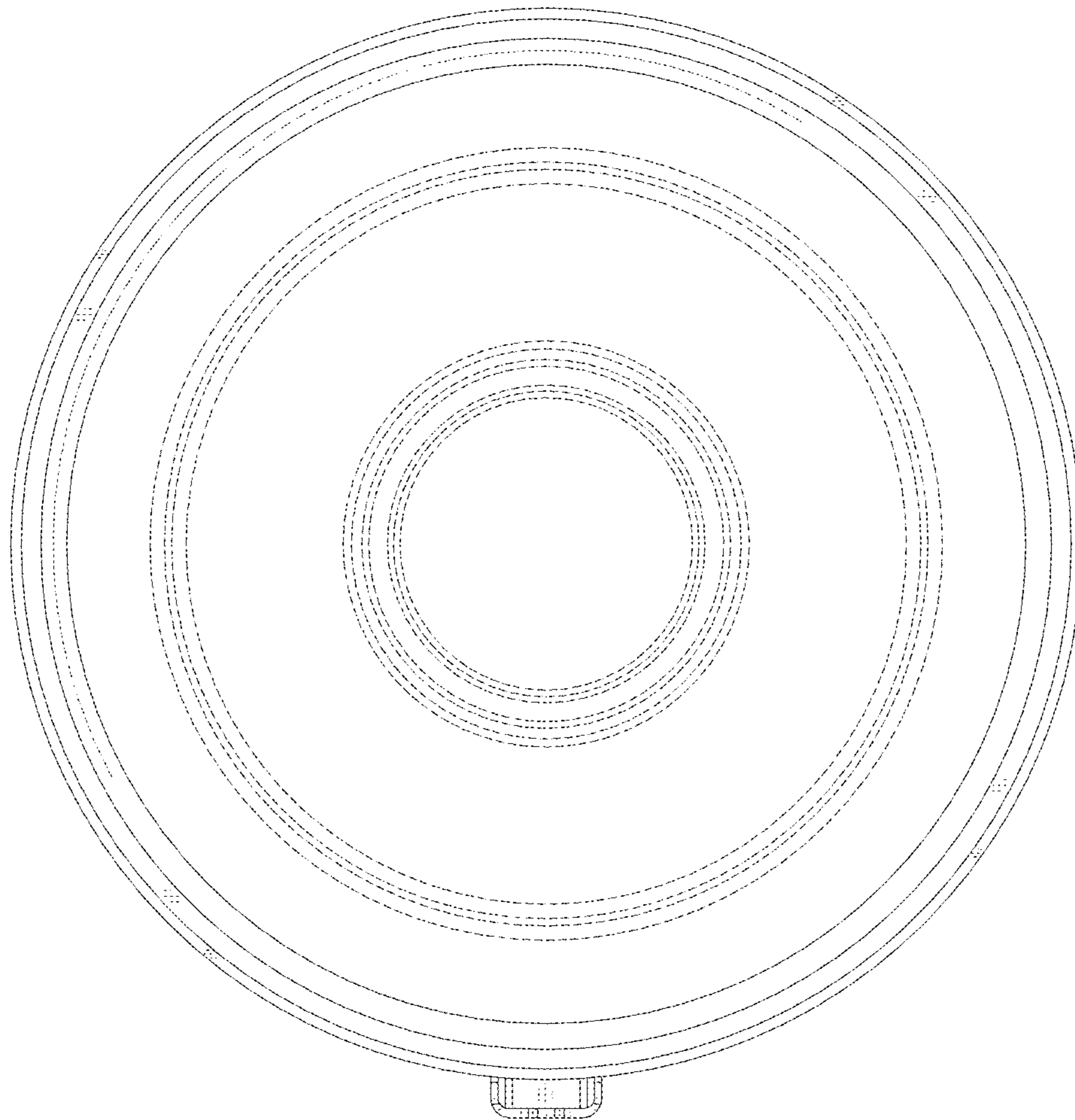


FIG. 6

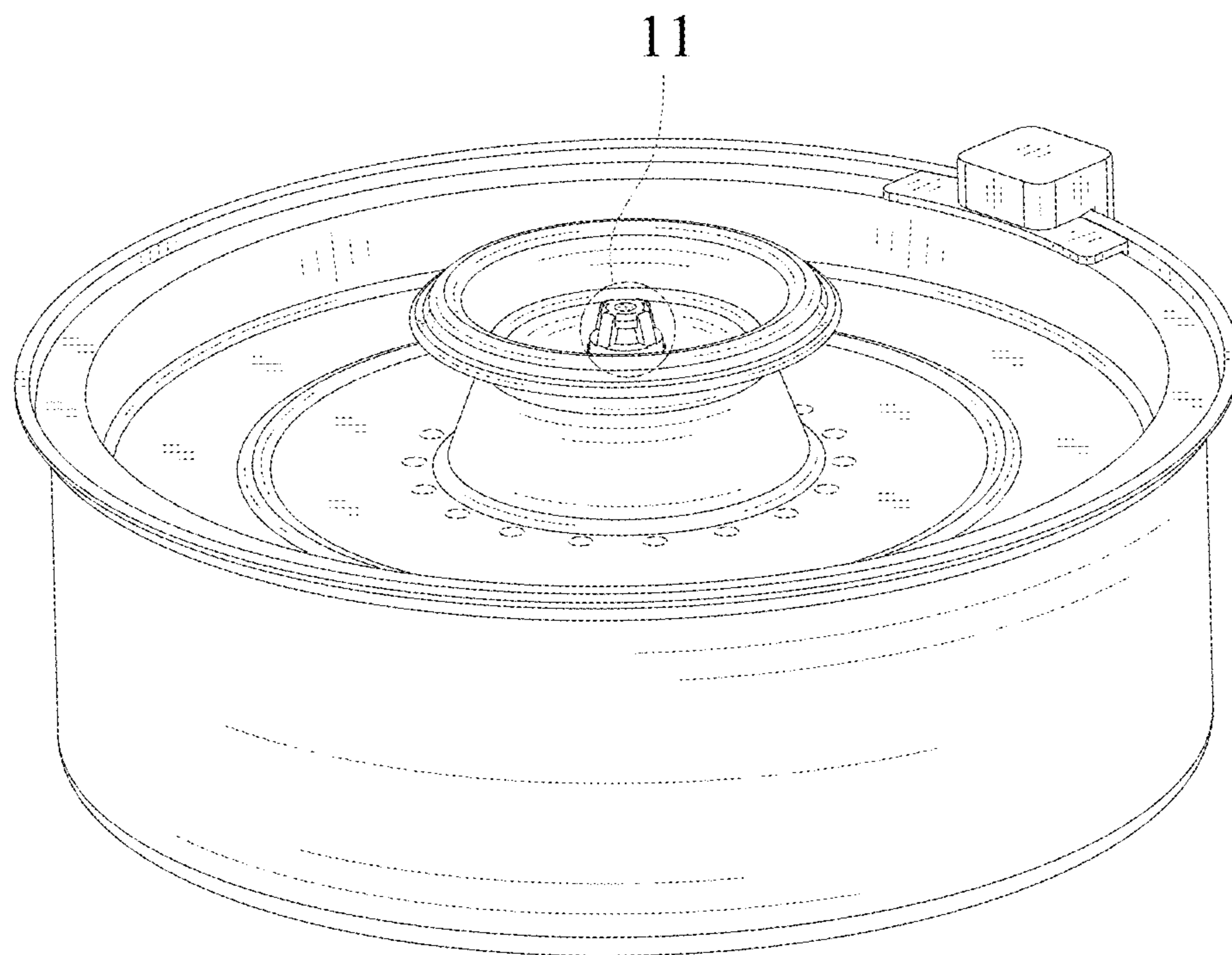


FIG. 7

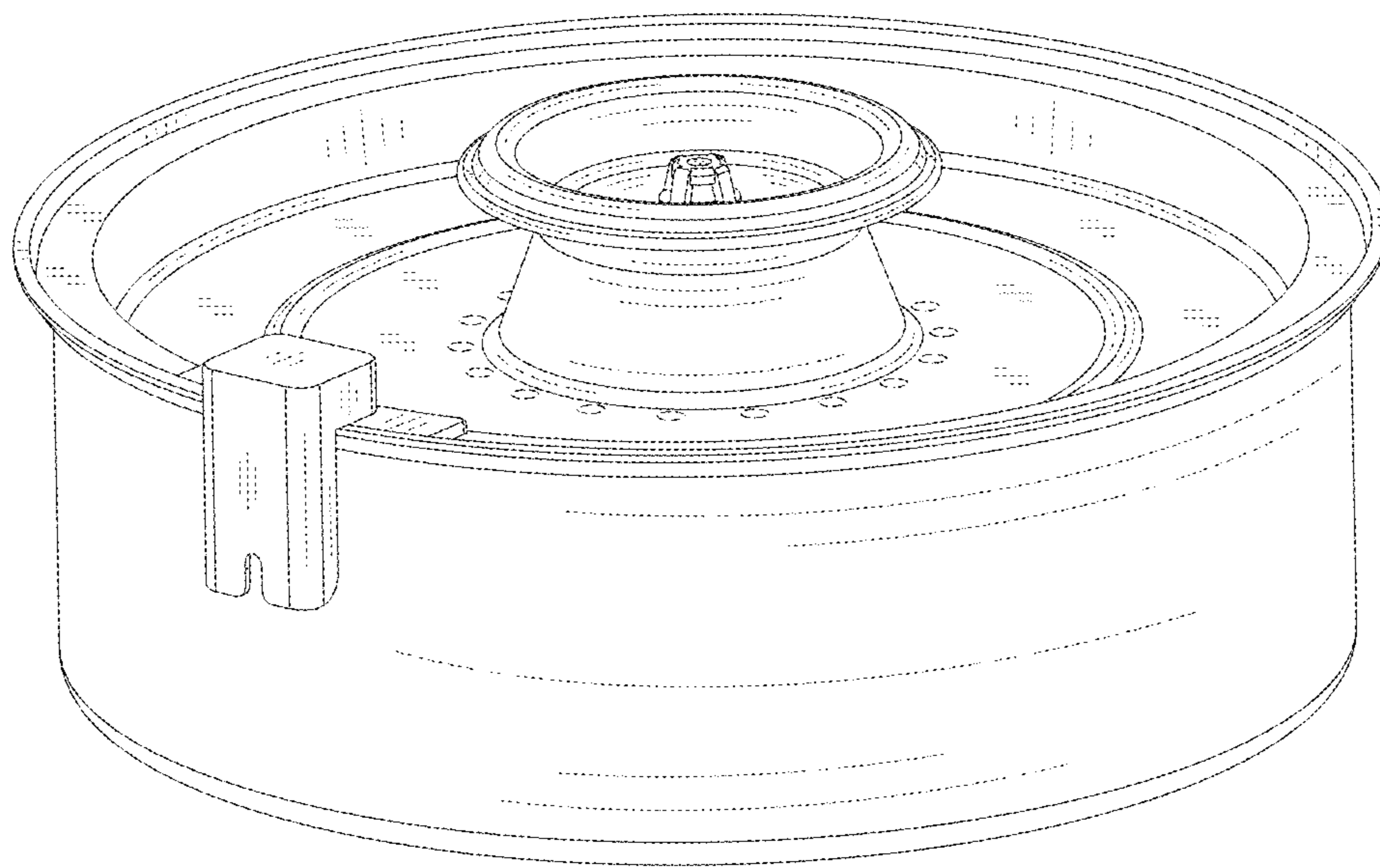


FIG. 8

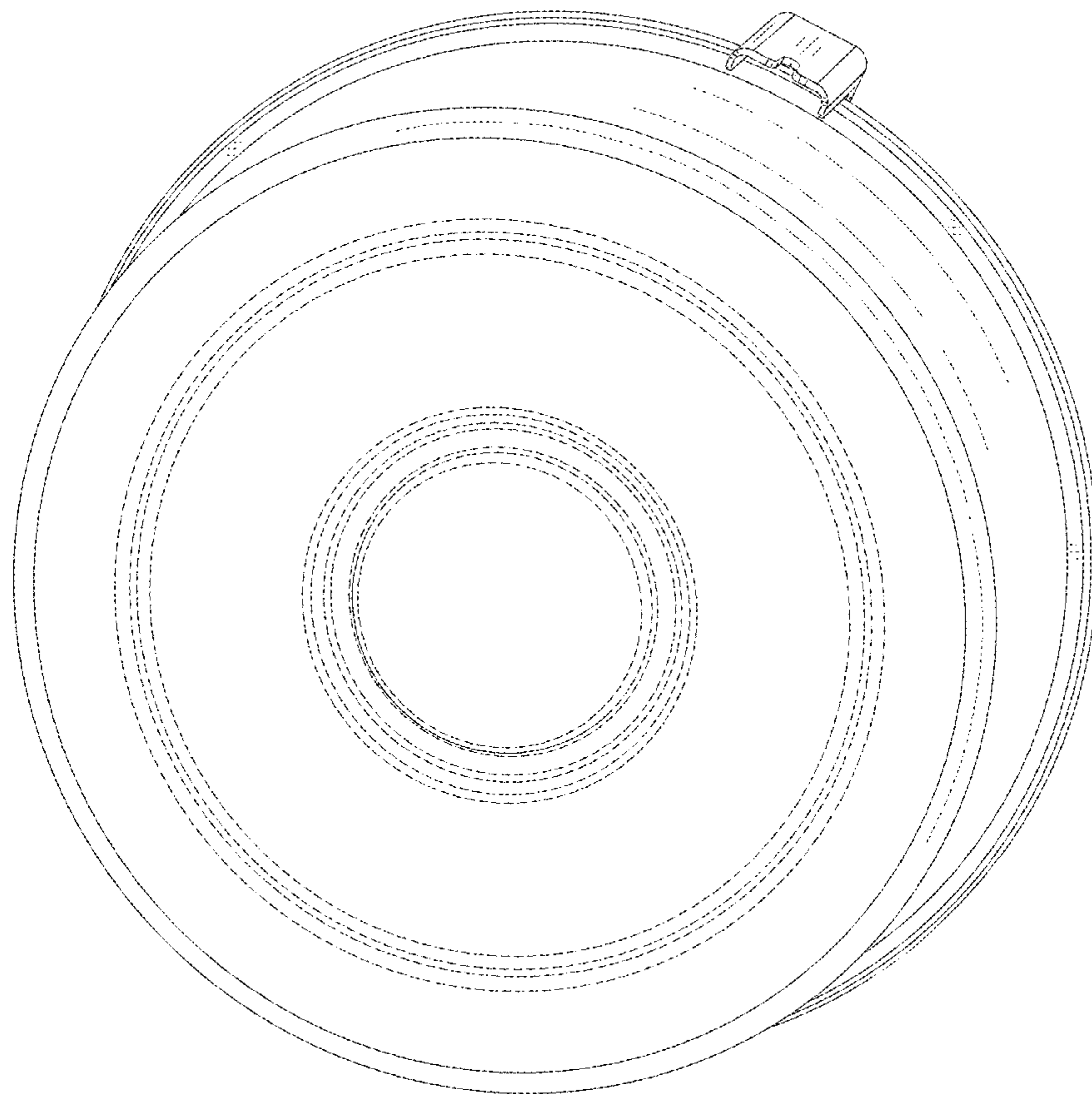


FIG. 9

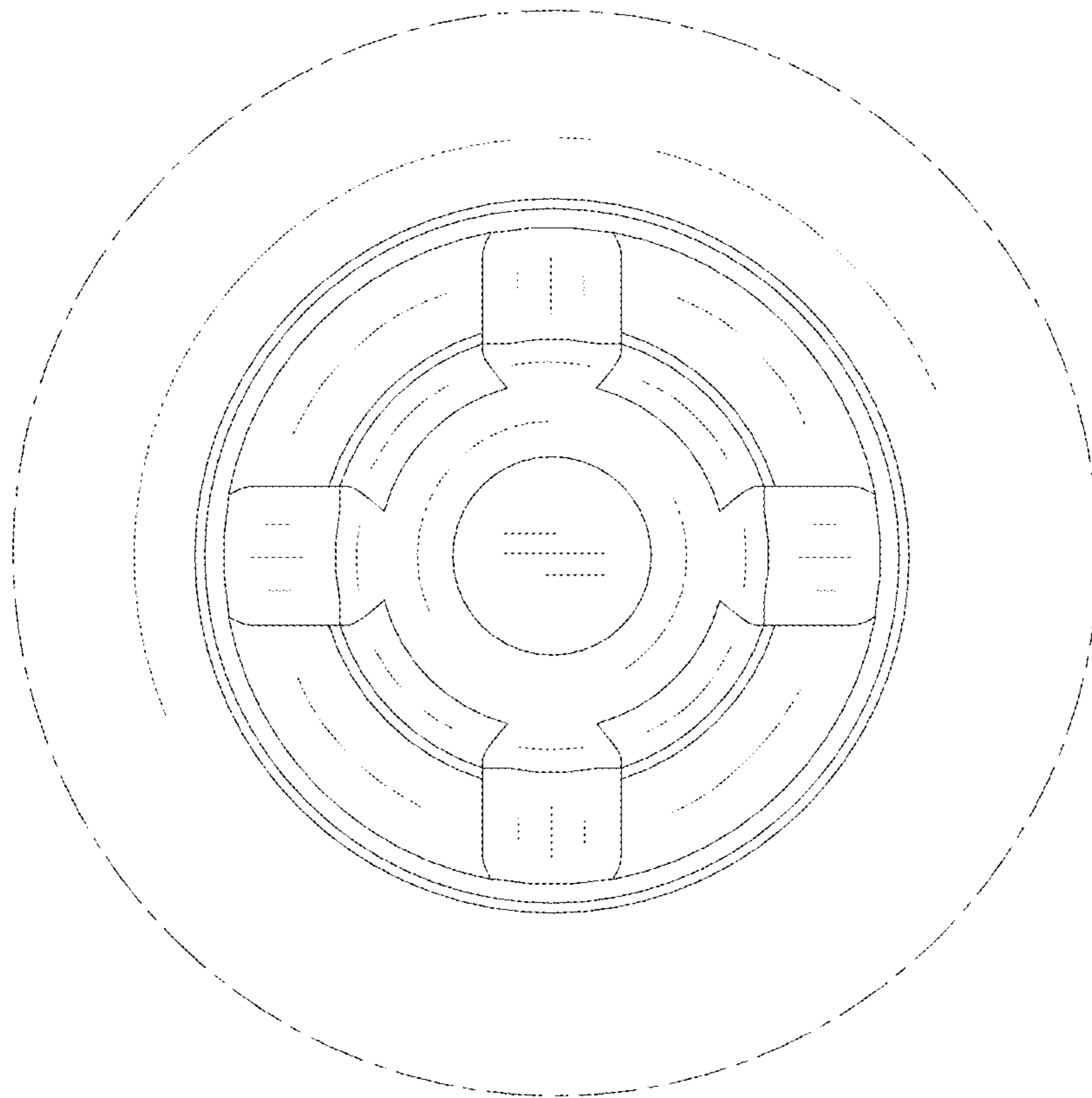


FIG. 10

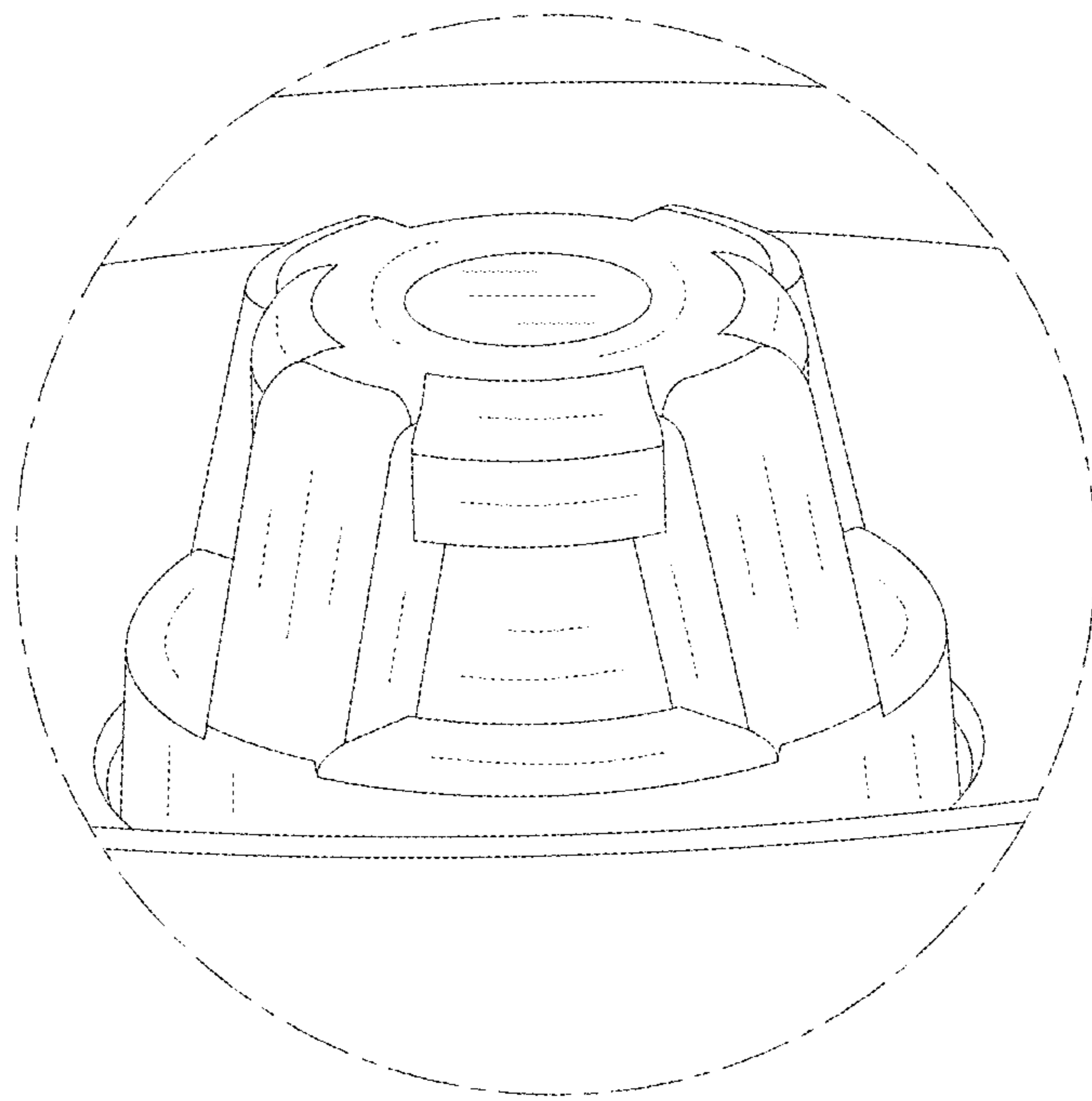


FIG. 11