



US00D950860S

(12) **United States Design Patent** (10) **Patent No.:** **US D950,860 S**
De Smet (45) **Date of Patent:** **** May 3, 2022**

(54) **POULTRY FEEDING/WATERING STATION**

9,591,833 B1 3/2017 McGregor
D920,594 S * 5/2021 Jordan D30/131
2014/0090602 A1 4/2014 Hinrichs
(Continued)

(71) Applicant: **Michael Landon De Smet**, Bosque Farms, NM (US)

(72) Inventor: **Michael Landon De Smet**, Bosque Farms, NM (US)

FOREIGN PATENT DOCUMENTS

CN 201919483 8/2011

(**) Term: **15 Years**

OTHER PUBLICATIONS

(21) Appl. No.: **29/753,753**

“No-Mess Automatic Poultry Drinker” available Jun. 22, 2017, [online], [site visited Feb. 9, 2022]. Retrieved from Internet, URL:https://www.premier1supplies.com/p/automatic-poultry-drinker-for-ducks-geese?sorted=oldest#product-information-reviews (Year: 2017).*

(22) Filed: **Oct. 1, 2020**

(51) **LOC (13) Cl.** **30-03**

(52) **U.S. Cl.**
USPC **D30/131**

(58) **Field of Classification Search**
USPC D30/121, 122, 129, 130, 131, 132, 133;
119/51.01, 51.02, 51.03, 51.11, 51.12,
119/51.13, 51.5, 52.1, 57, 57.1, 57.92, 58,
119/60, 61.1, 61.5, 61.52, 61.54, 61.55,
119/61.57, 72, 72.5, 73, 74, 75, 78, 174
CPC A01K 5/00; A01K 5/0114; A01K 5/0121;
A01K 5/0135; A01K 7/005; A01K 7/00;
A01K 39/02; A01K 39/04; A01K 39/0213
See application file for complete search history.

Primary Examiner — Garth Rademaker
Assistant Examiner — Katrina N Gonzalez
(74) *Attorney, Agent, or Firm* — Mitch Harris, Atty at Law; Andrew M. Harris

(57) **CLAIM**

The ornamental design for a poultry feeding/watering station, as shown and described.

DESCRIPTION

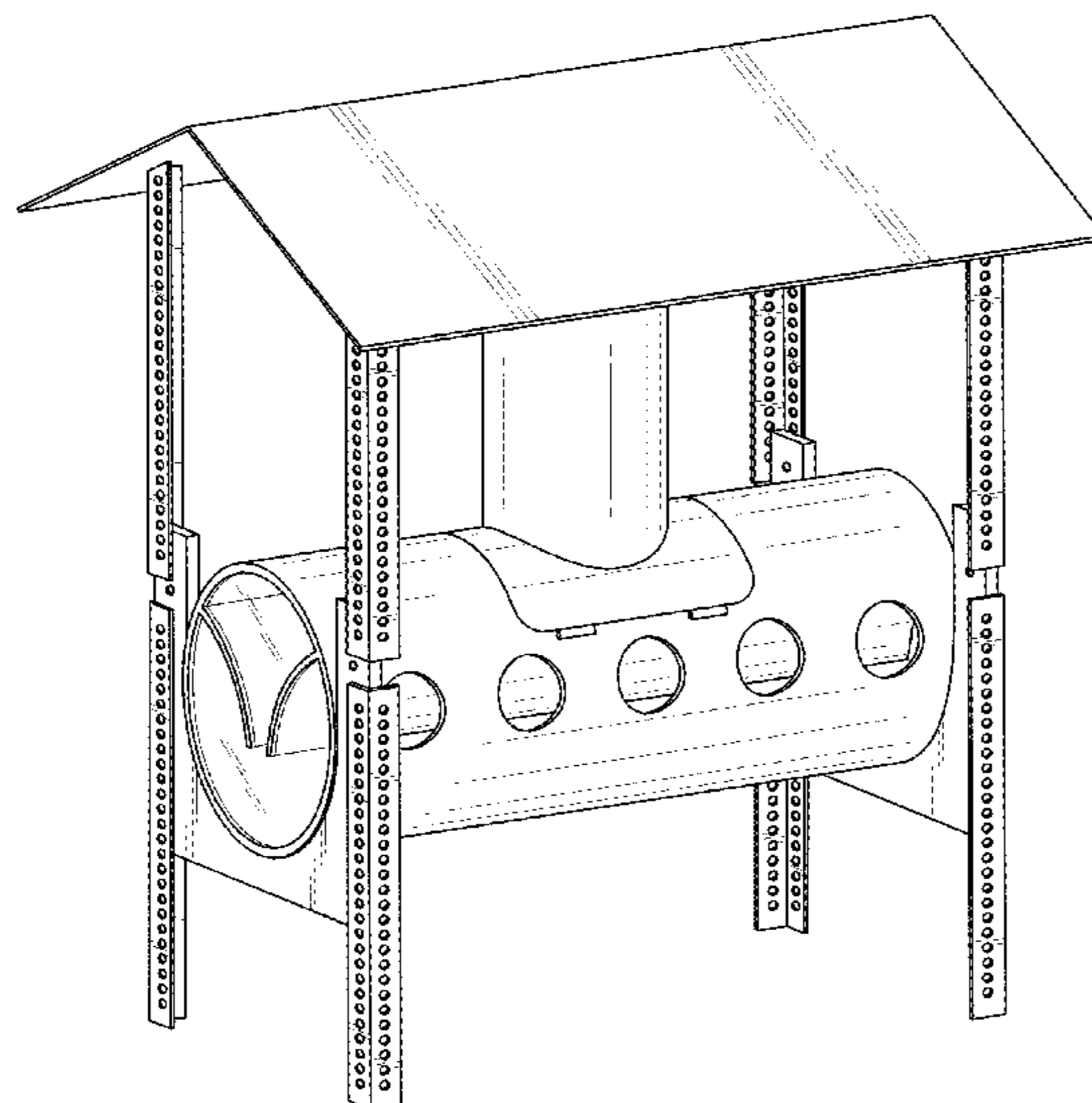
FIG. 1 is a front-left perspective view of a poultry feeding/watering station, showing my new design.
FIG. 2 is a left-front perspective view of the poultry feeding/watering station.
FIG. 3 is a left side view of the poultry feeding/watering station.
FIG. 4 is a right side view of the poultry feeding/watering station.
FIG. 5 is a front view of the poultry feeding/watering station.
FIG. 6 is a rear view of the poultry feeding/watering station.
FIG. 7 is a top view of the poultry feeding/watering station; and,
FIG. 8 is a bottom view of the poultry feeding/watering station.

(56) **References Cited**

U.S. PATENT DOCUMENTS

1,431,472 A 10/1922 Liggett
1,610,176 A * 12/1926 Stabler A01K 39/014
119/900
1,631,462 A 6/1927 Botterbusch
2,267,348 A 12/1941 Brown
3,415,229 A 12/1968 Myers
4,483,274 A 11/1984 Zmolek et al.
4,488,509 A 12/1984 Await
5,101,765 A 4/1992 Manfrin
5,699,753 A 12/1997 Aldridge, III
5,718,187 A 2/1998 Pollock et al.
6,532,895 B1 3/2003 Andersen
D708,400 S 7/2014 Hinrichs

1 Claim, 8 Drawing Sheets



(56)

References Cited

U.S. PATENT DOCUMENTS

2014/0150726 A1 6/2014 Moone
2017/0245475 A1 8/2017 Dhumal
2018/0020638 A1* 1/2018 Blevins A01K 5/0266
119/51.11
2018/0360001 A1 12/2018 Connolly

* cited by examiner

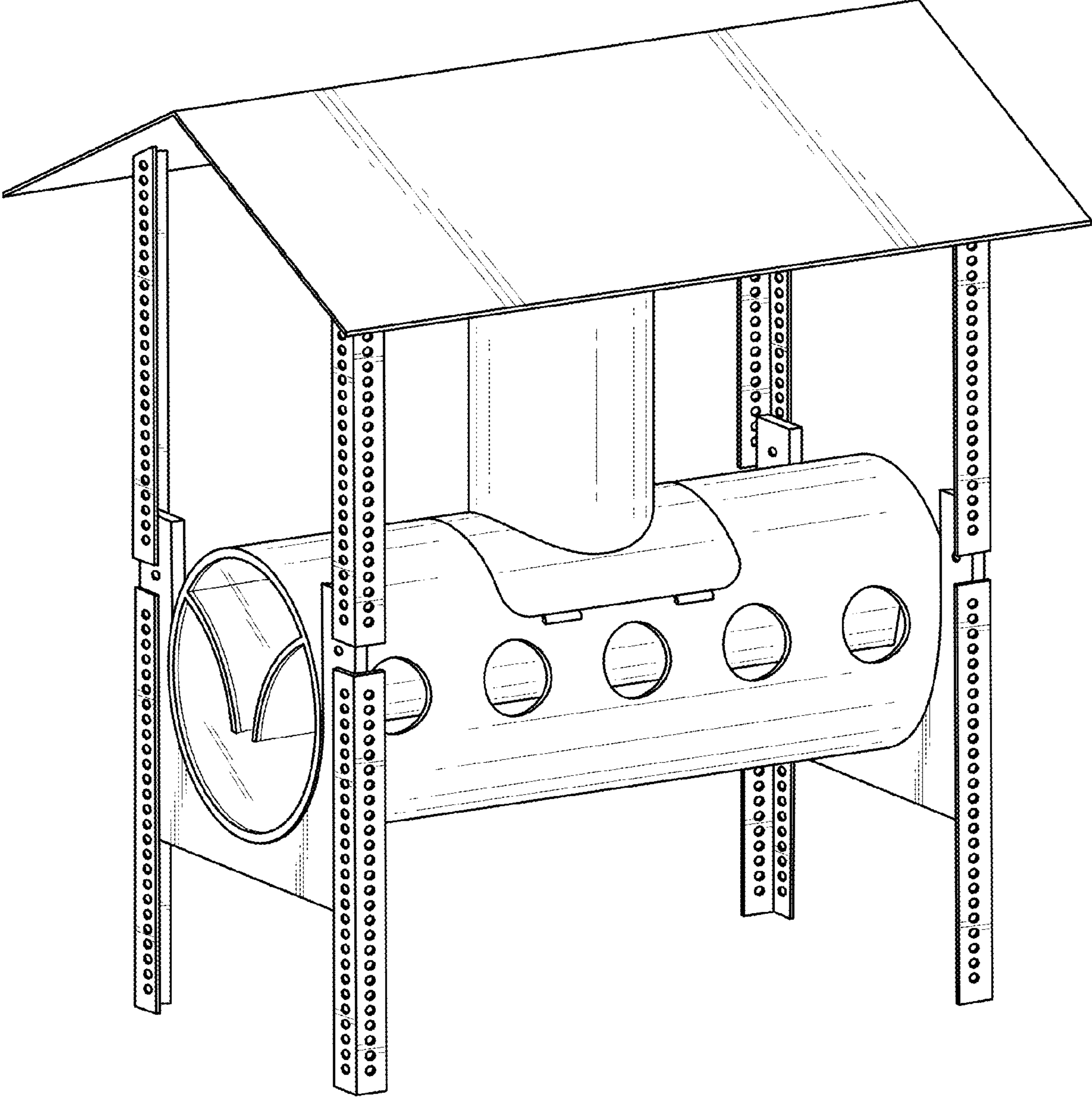


FIG. 1

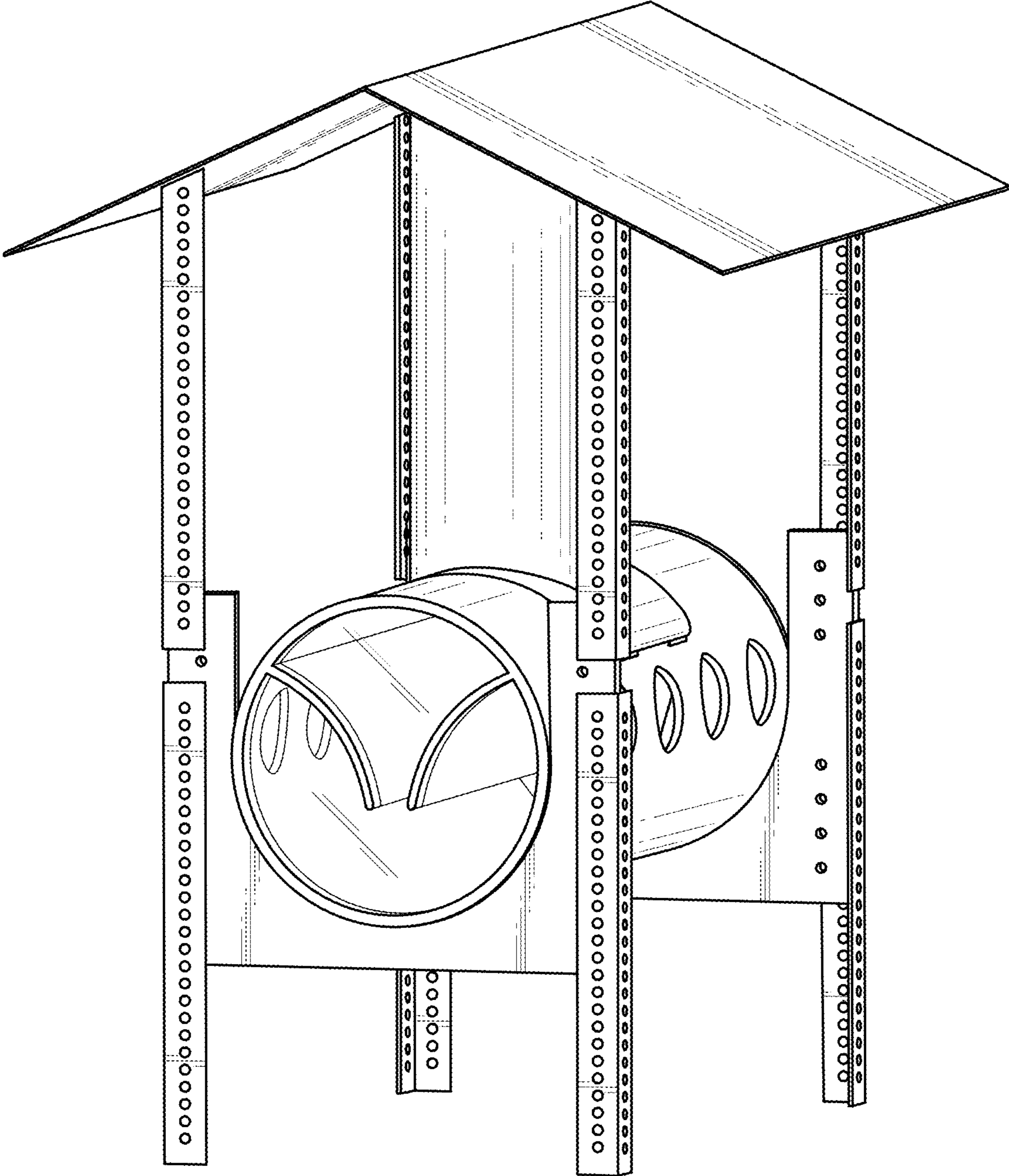


FIG. 2

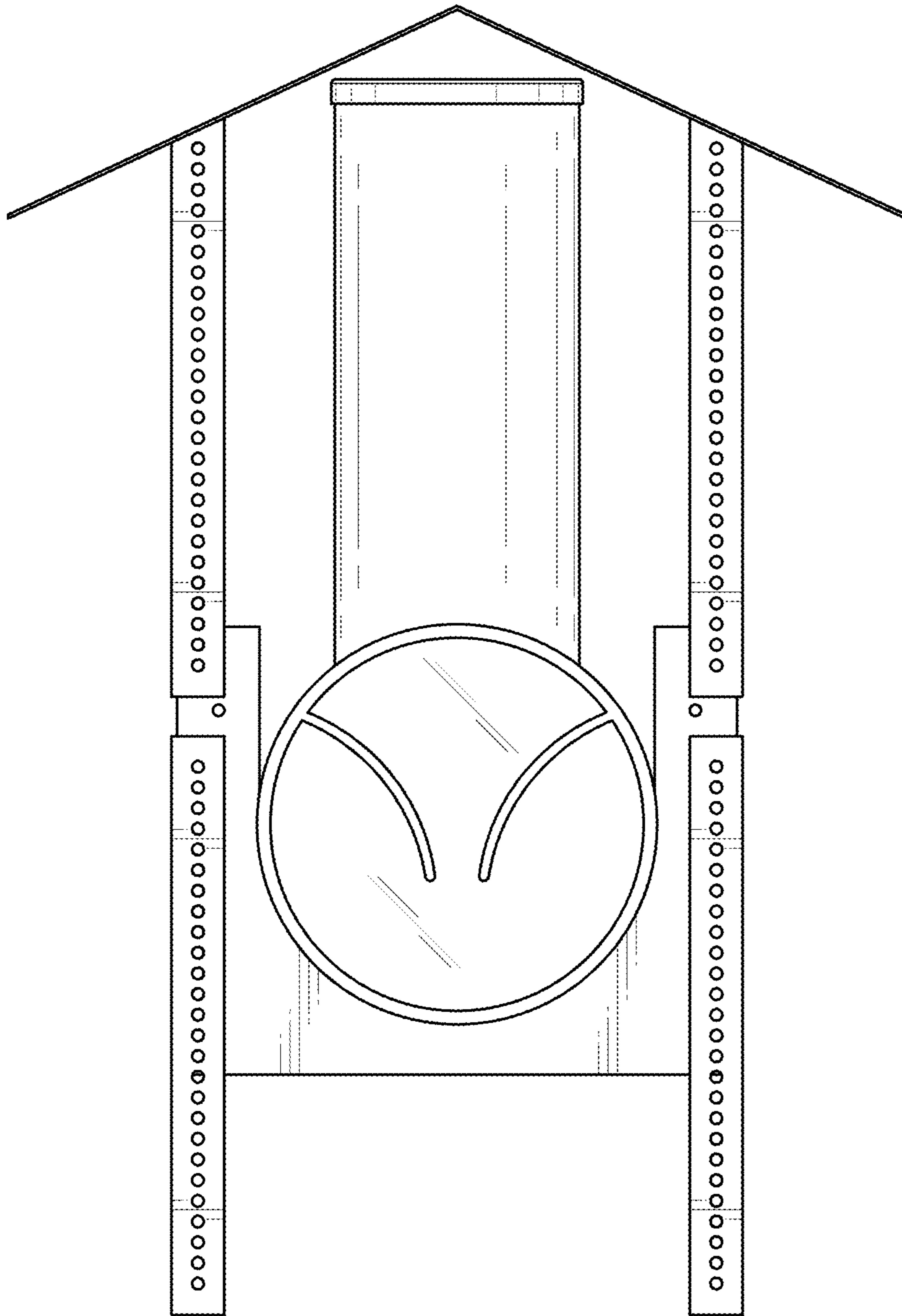


FIG. 3

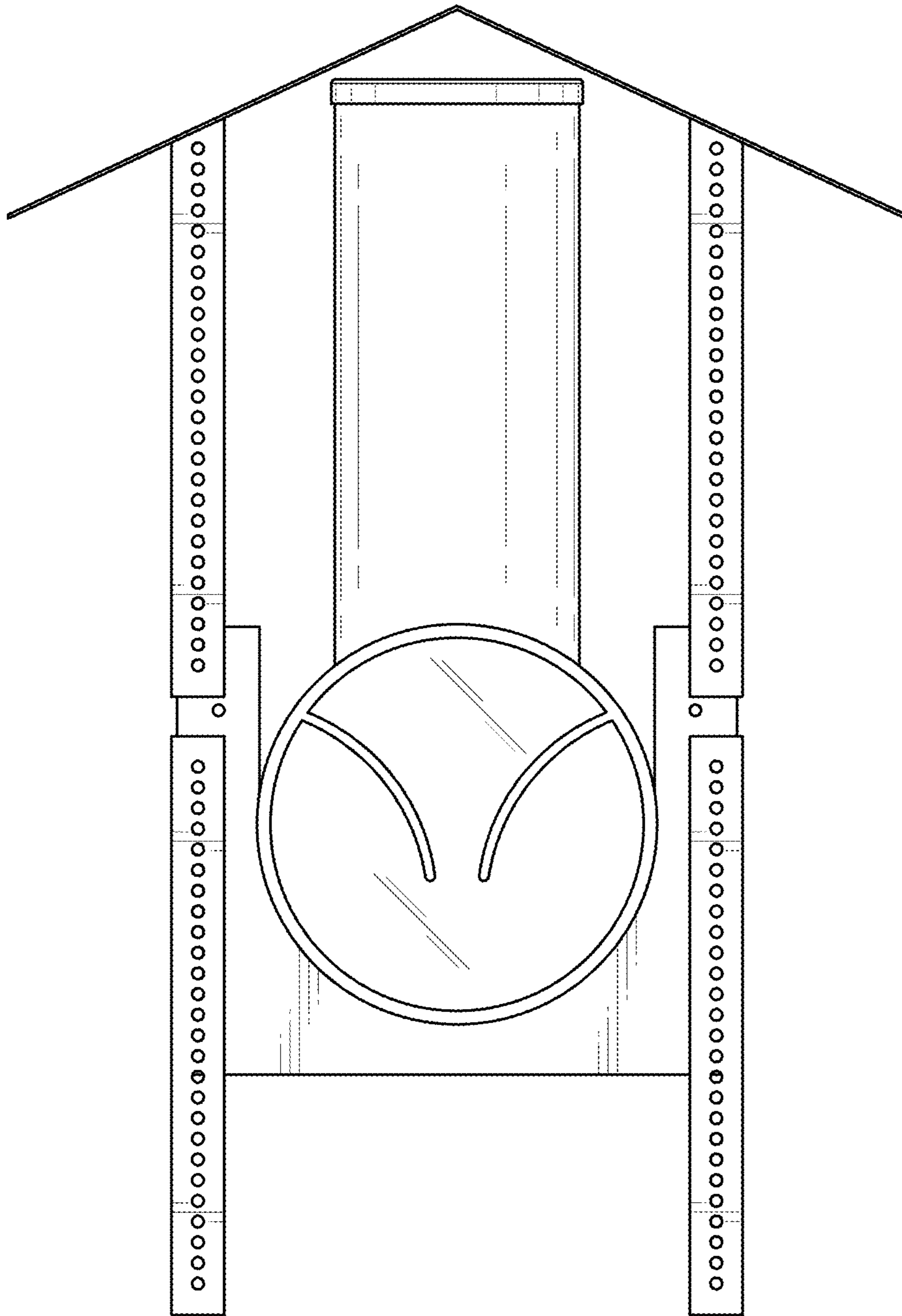


FIG. 4

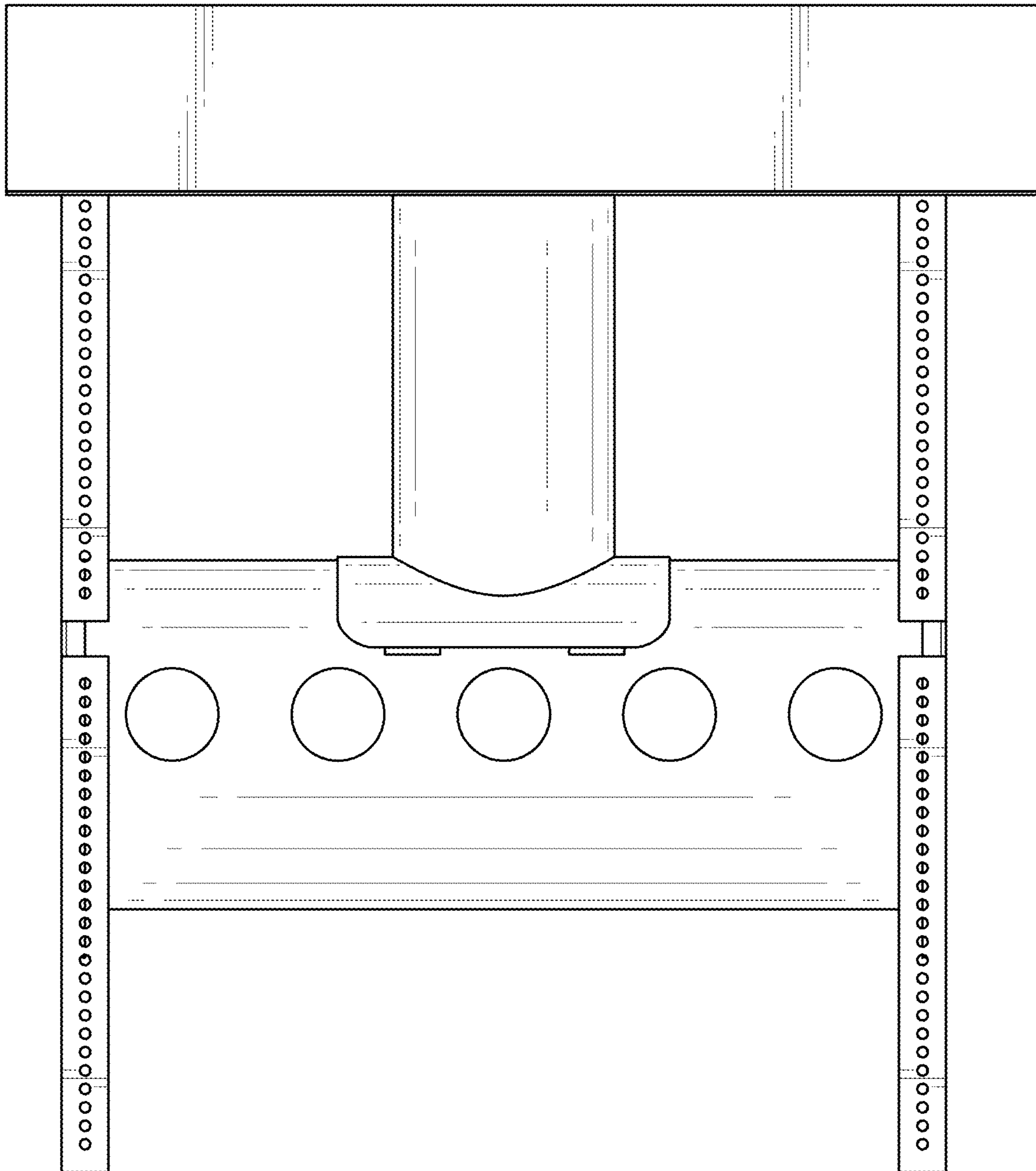


FIG. 5

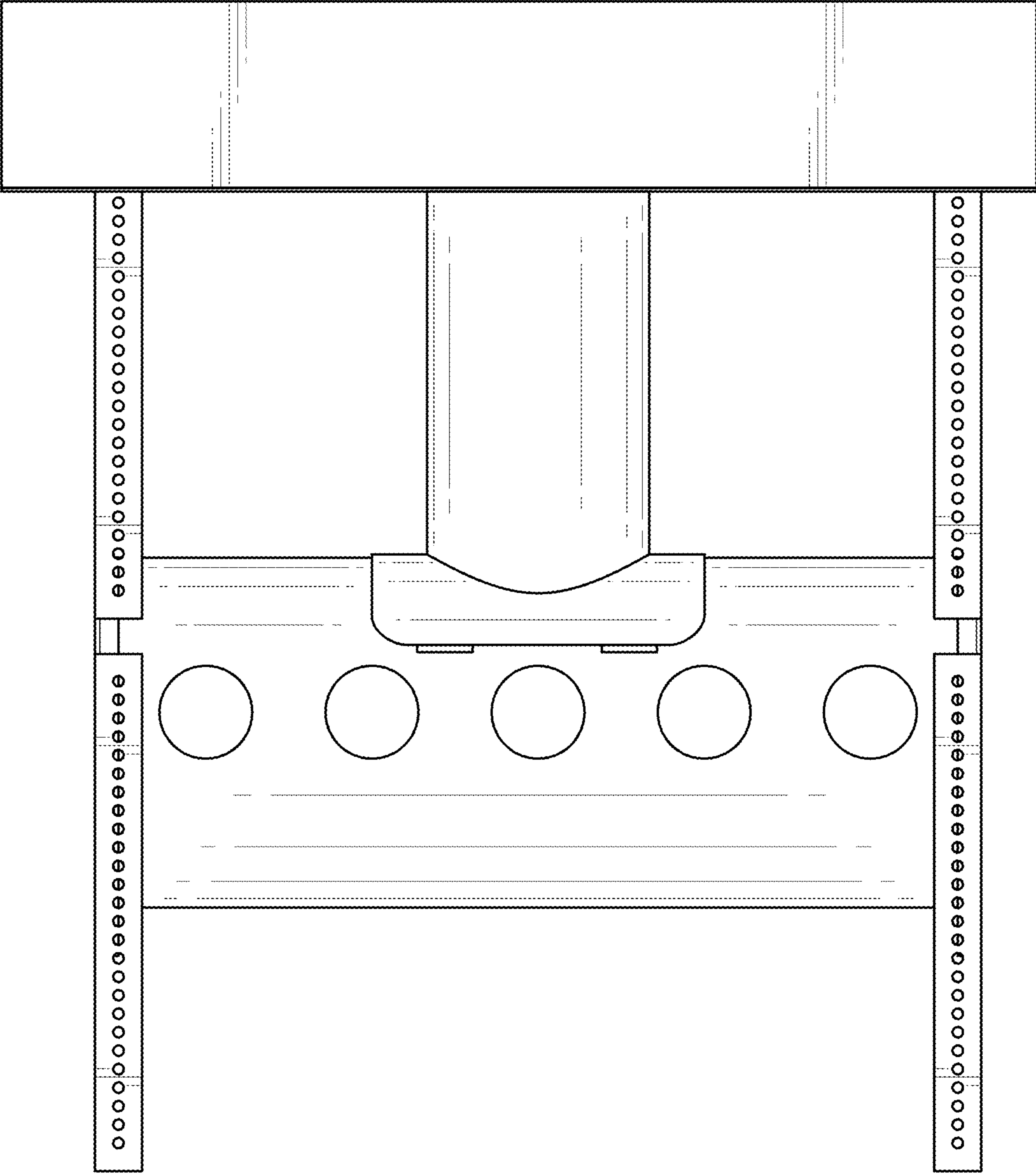


FIG. 6

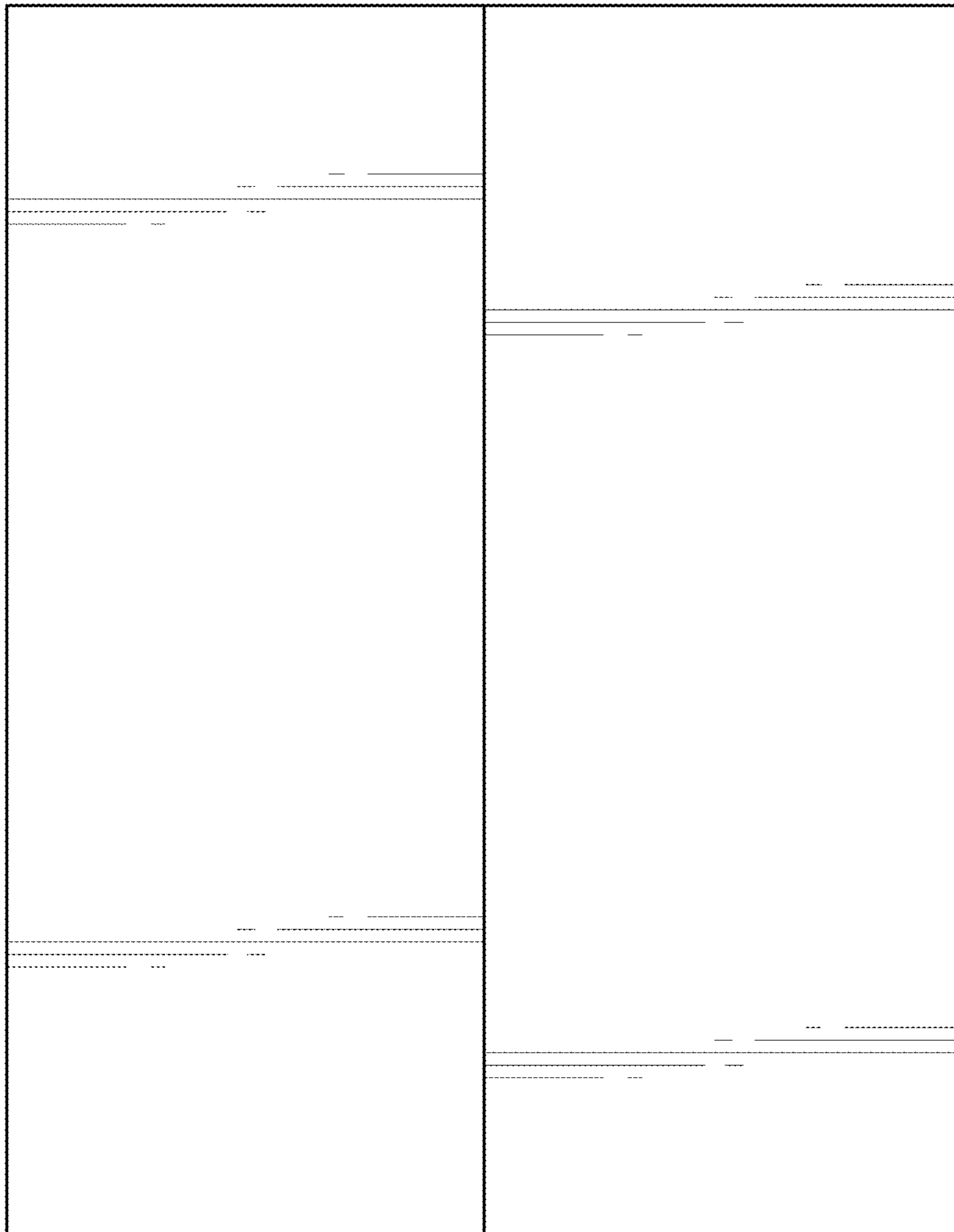


FIG. 7

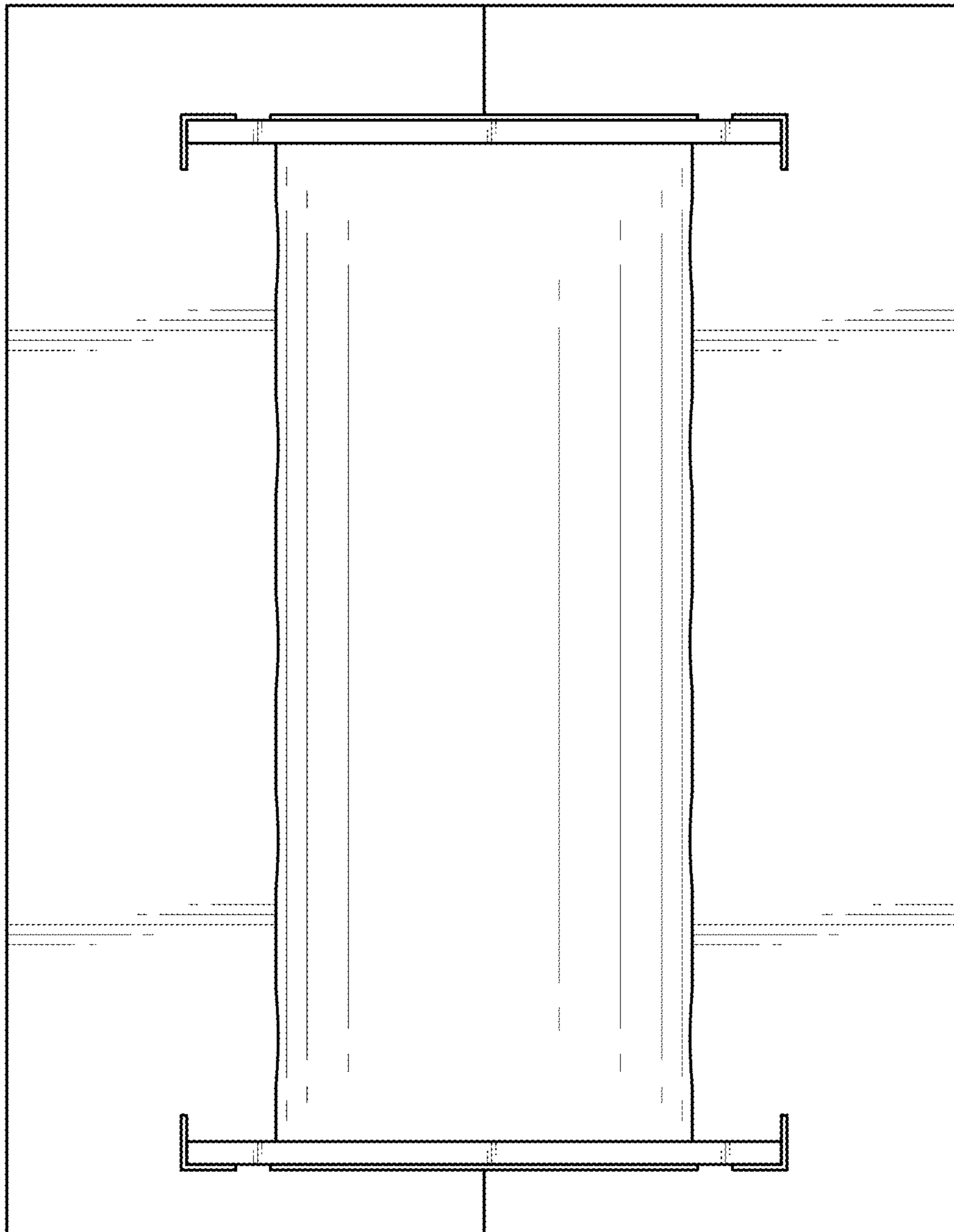


FIG. 8