



US00D950856S

(12) **United States Design Patent**
Gauvin et al.

(10) **Patent No.:** **US D950,856 S**
(45) **Date of Patent:** **** May 3, 2022**

(54) **FACE SHIELD**

D915,681 S * 4/2021 Whitehead D29/110
D915,682 S * 4/2021 Whitehead D29/110
D926,387 S * 7/2021 Goldberg D29/110

(71) Applicant: **Diamond Packaging**, Rochester, NY
(US)

(72) Inventors: **Andrew Gauvin**, Pittsford, NY (US);
Lesley Bethune-Bates, Rochester, NY
(US)

(73) Assignee: **Diamond Packaging**, Rochester, NY
(US)

(**) Term: **15 Years**

(21) Appl. No.: **29/740,171**

(22) Filed: **Jul. 1, 2020**

(51) **LOC (13) Cl.** **29-02**

(52) **U.S. Cl.**
USPC **D29/110**

(58) **Field of Classification Search**
USPC D29/105-107, 110, 122; D24/101.1,
D24/101.2; D16/333, 309-311; D2/866
See application file for complete search history.

(56) **References Cited**

U.S. PATENT DOCUMENTS

4,912,779 A * 4/1990 Laird A61F 9/045
2/12
D732,242 S * 6/2015 Miller A41D 13/1184
D29/110

OTHER PUBLICATIONS

Re-useable Face Shield + Comfort Pad: <https://www.hotpopfactory.com/face-shields/> (Year: 2021).*

* cited by examiner

Primary Examiner — Robert A Delehanty
(74) *Attorney, Agent, or Firm* — Bond Schoeneck &
King, PLLC; Joseph M. Noto

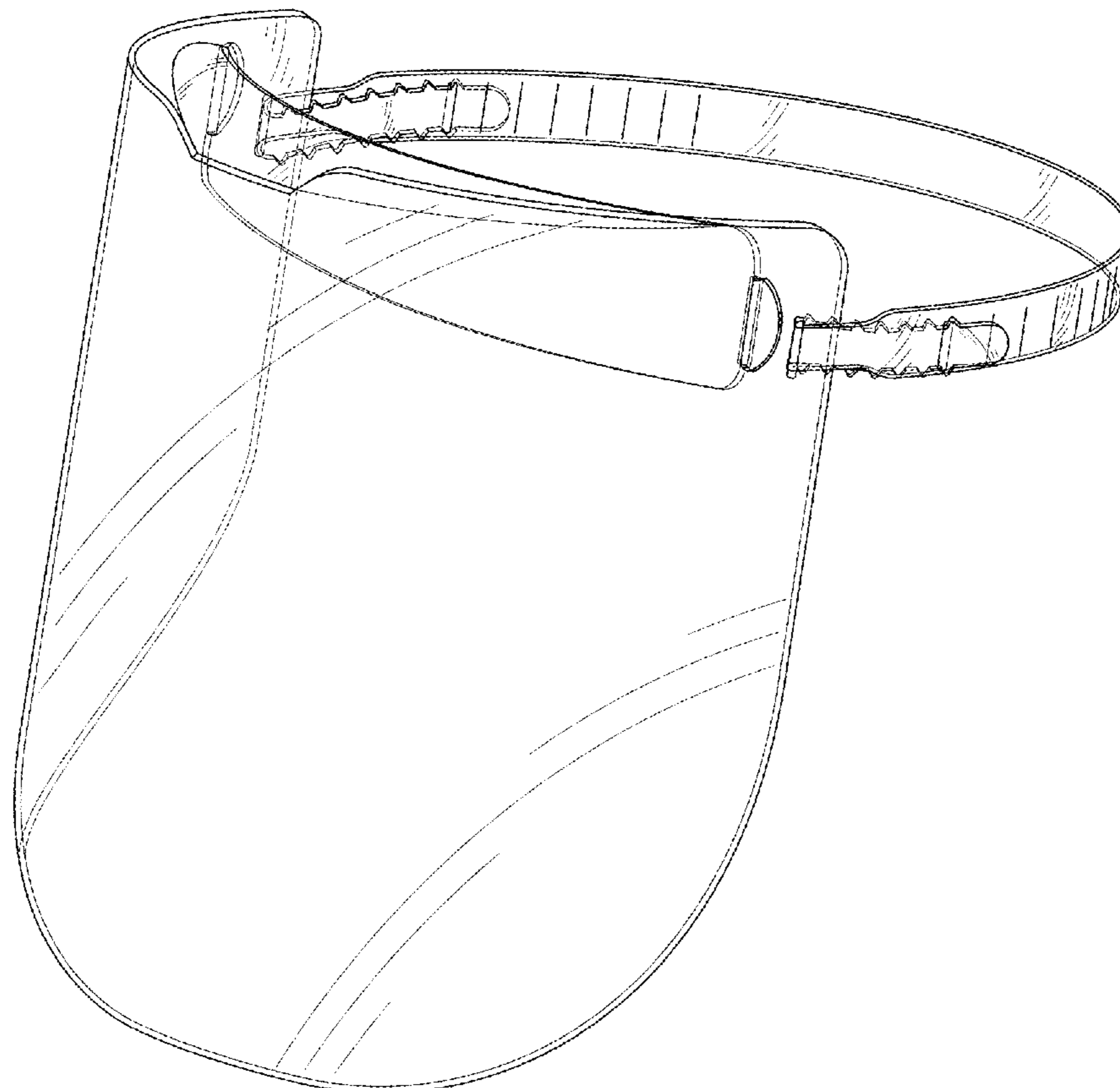
(57) **CLAIM**

The ornamental design for a face shield, as shown and described.

DESCRIPTION

FIG. 1 is a front perspective view of the face shield showing my new design;
FIG. 2 is a front elevational view thereof;
FIG. 3 is a rear elevational view thereof;
FIG. 4 is a right side elevational view thereof, the left side being a mirror image;
FIG. 5 is a top plan view thereof; and,
FIG. 6 is a bottom plan view thereof.

1 Claim, 6 Drawing Sheets



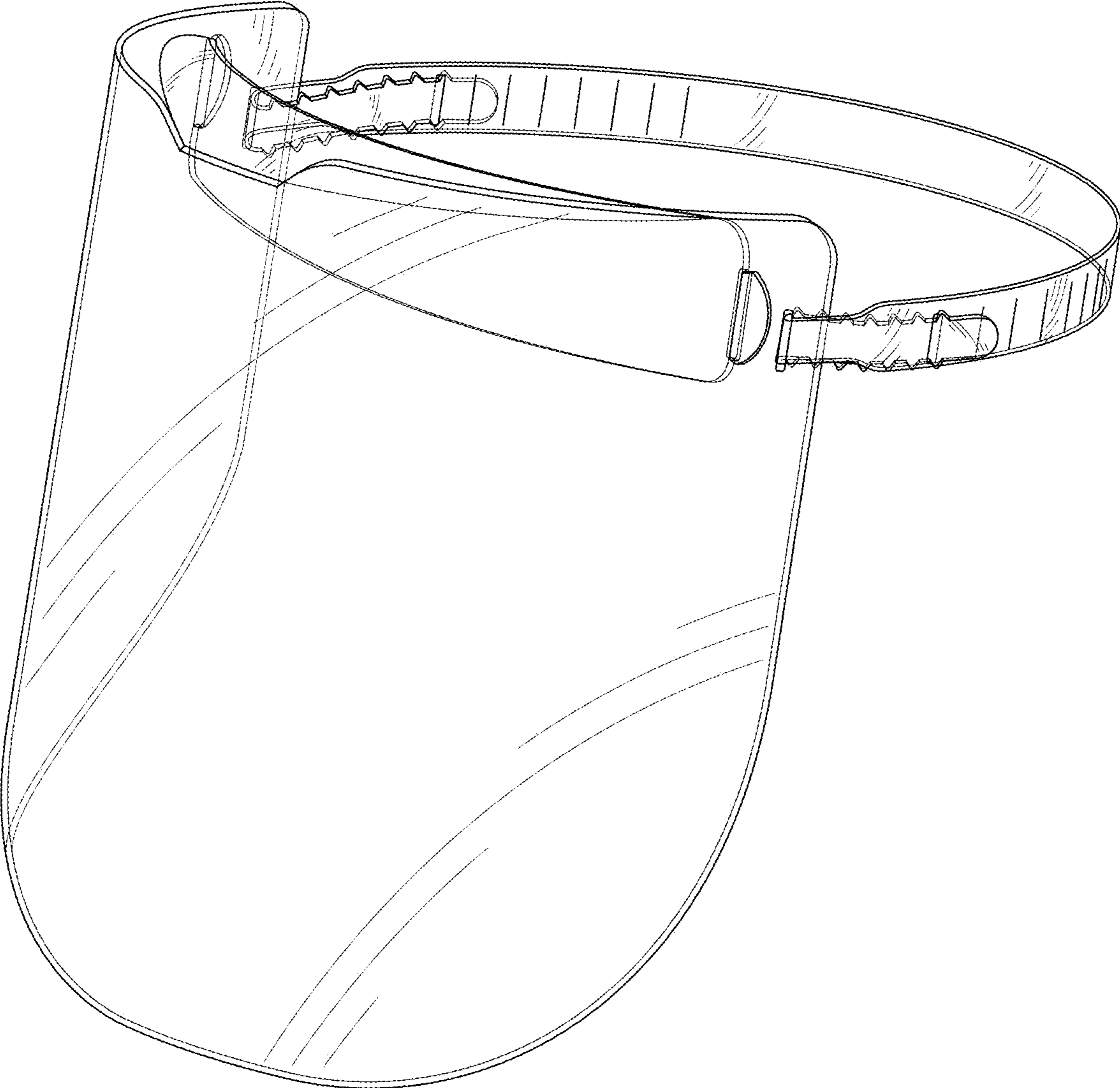


FIG. 1

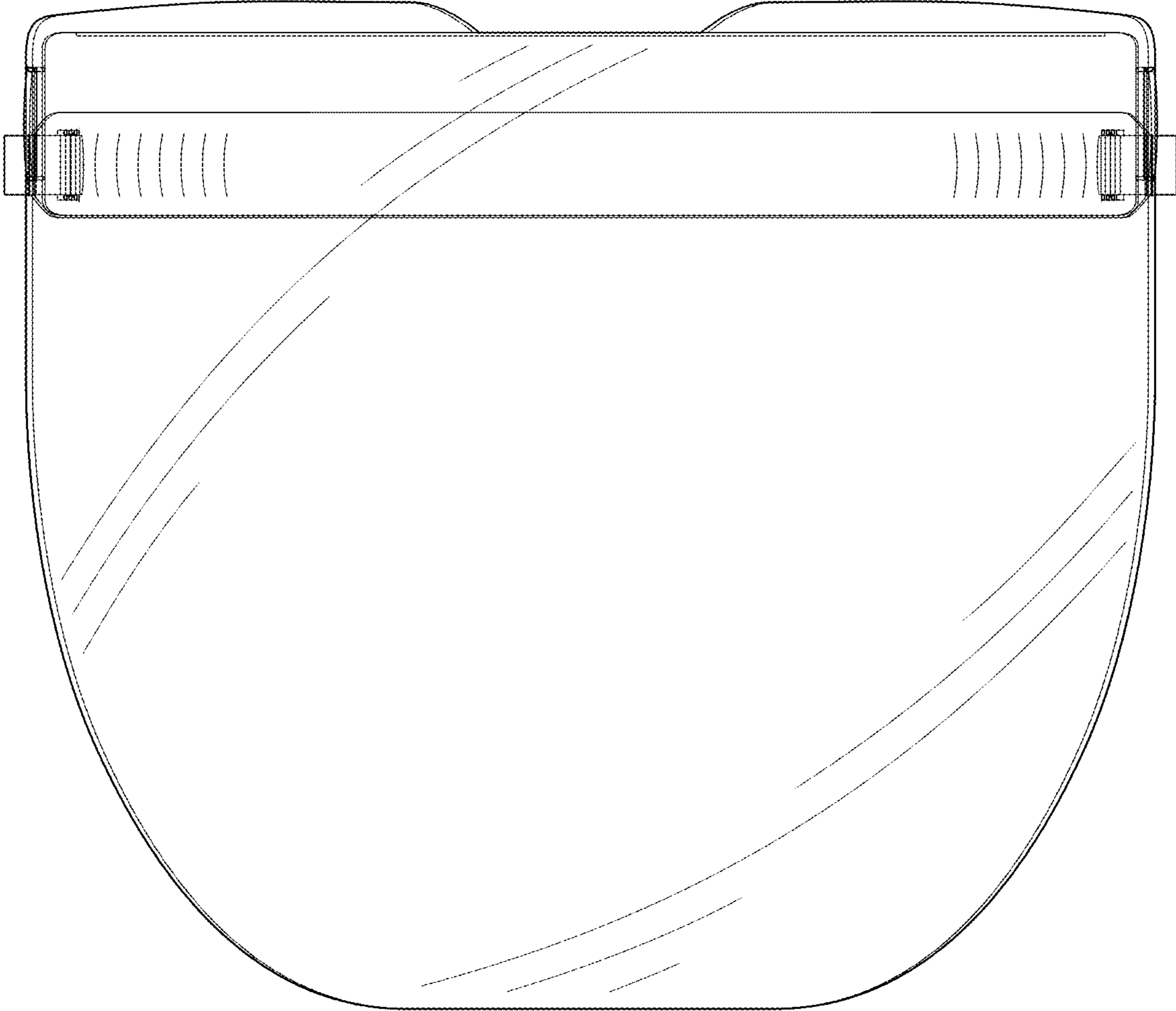


FIG. 2

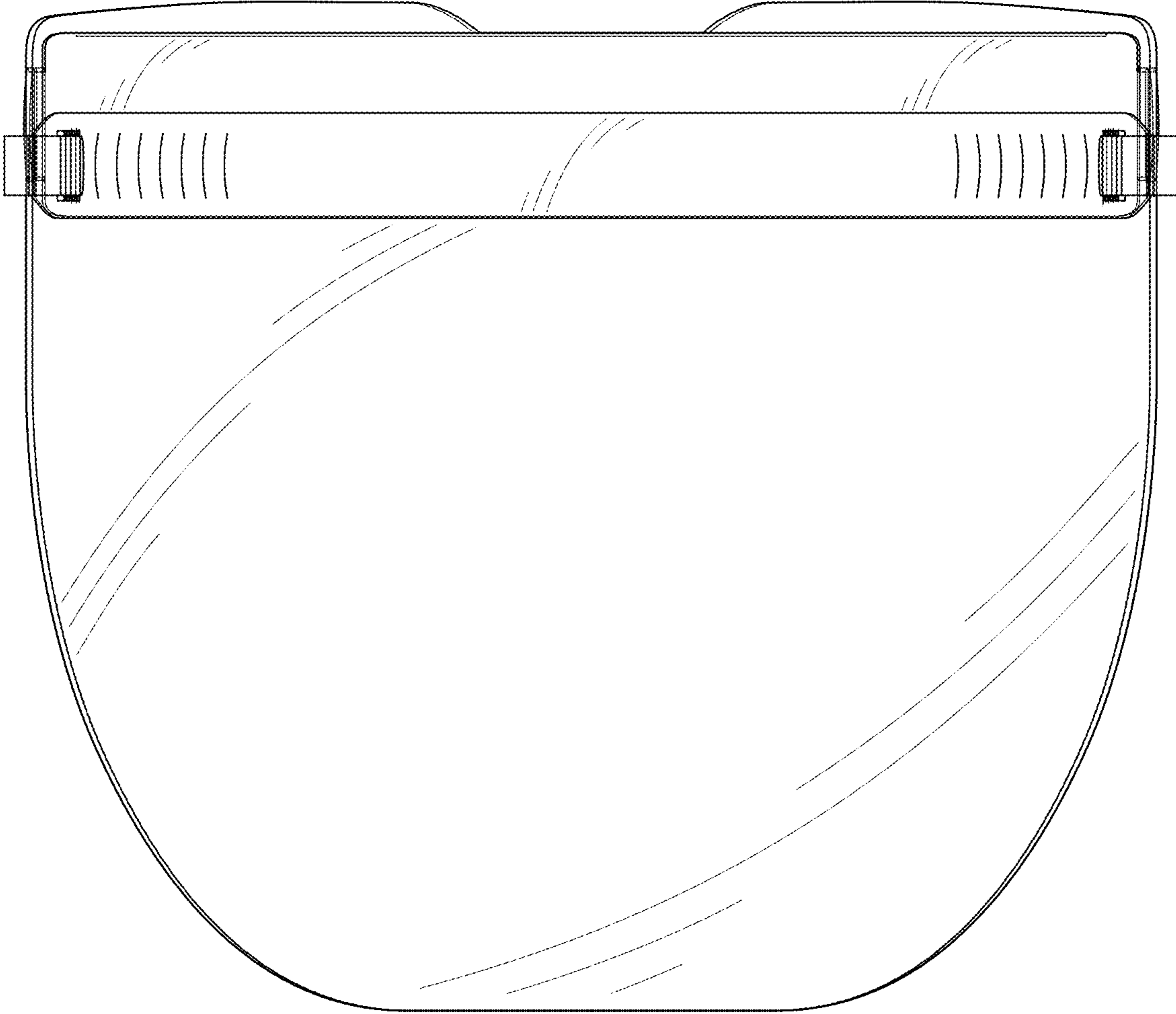


FIG. 3

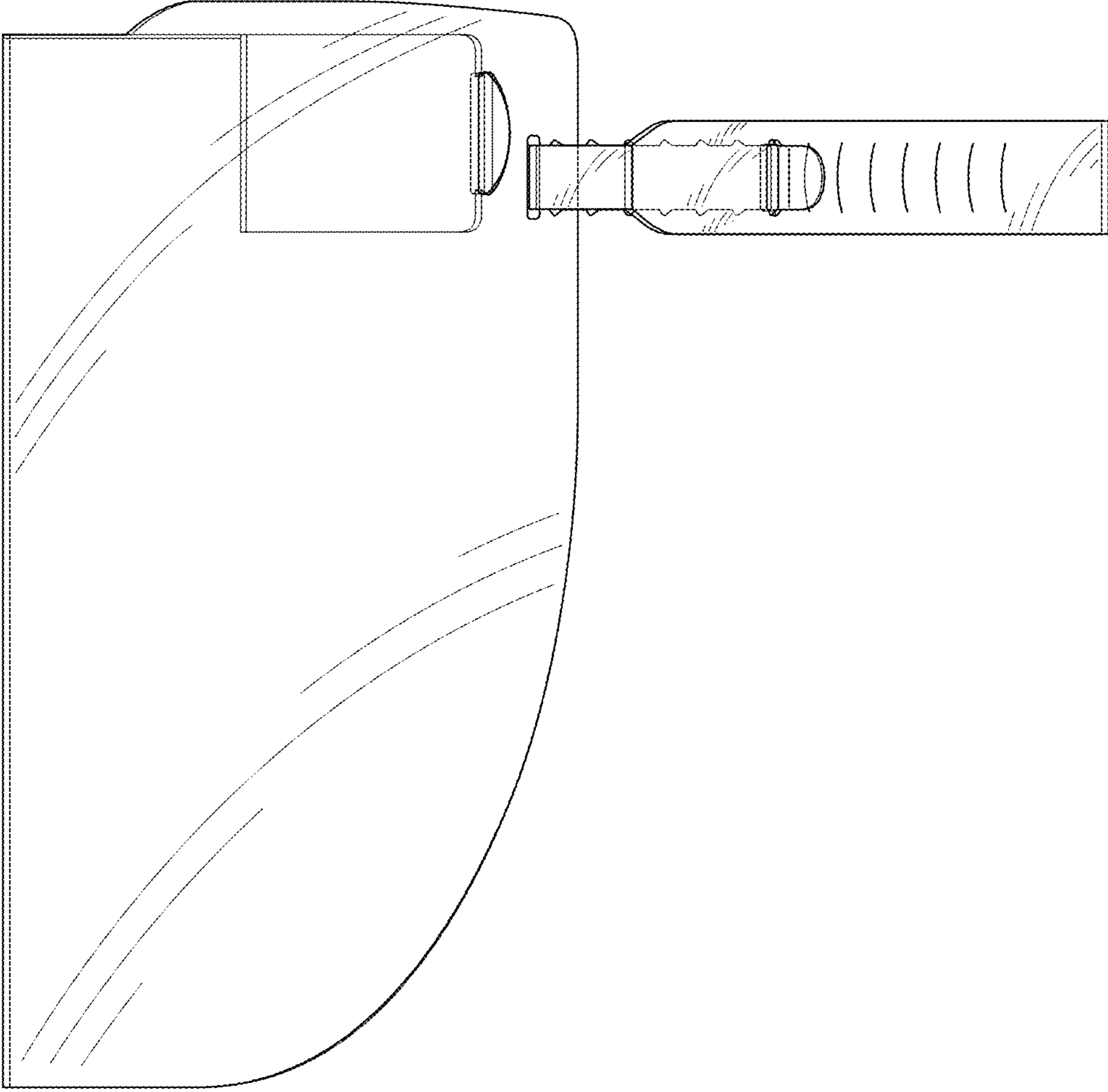


FIG. 4

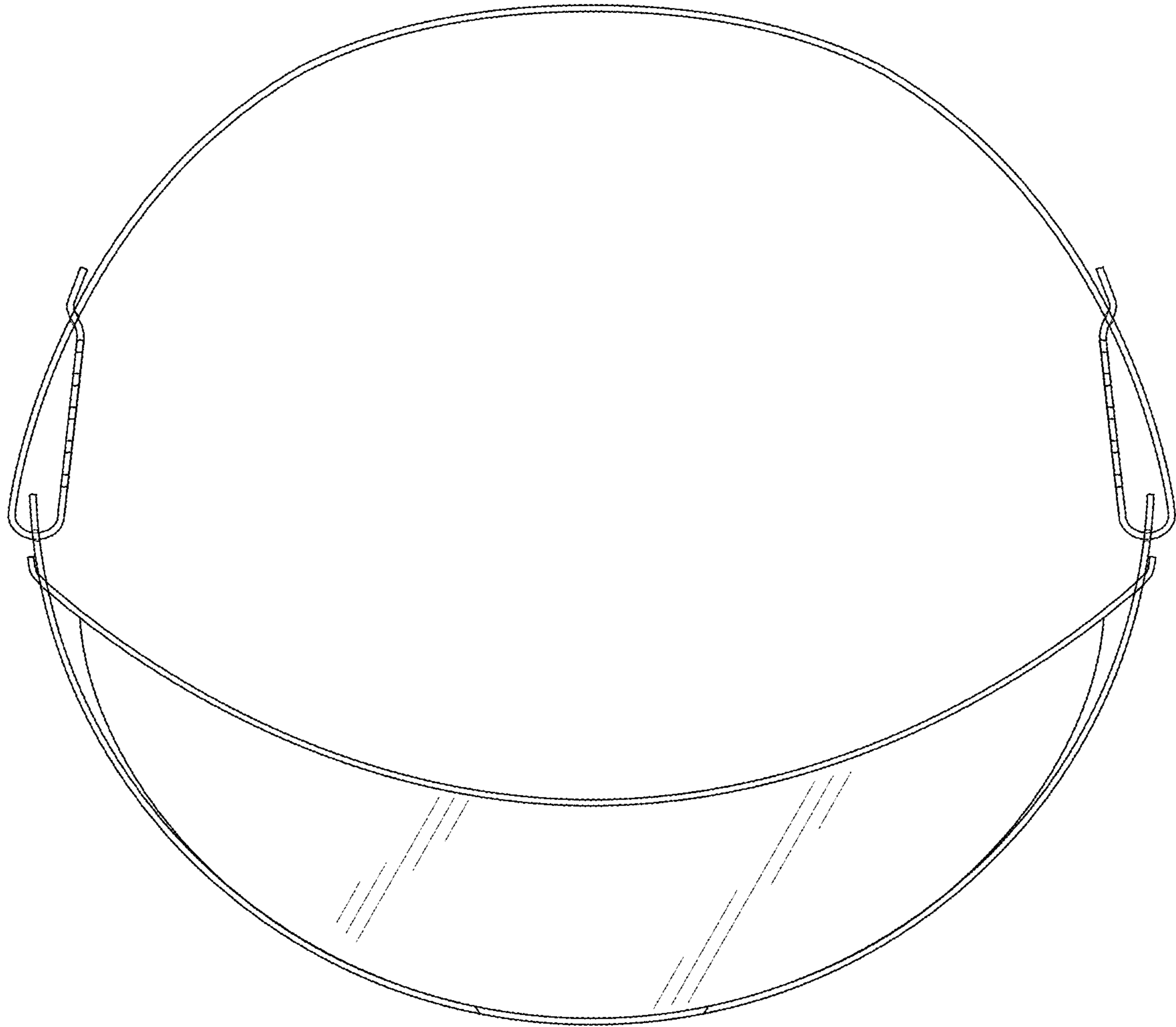


FIG. 5

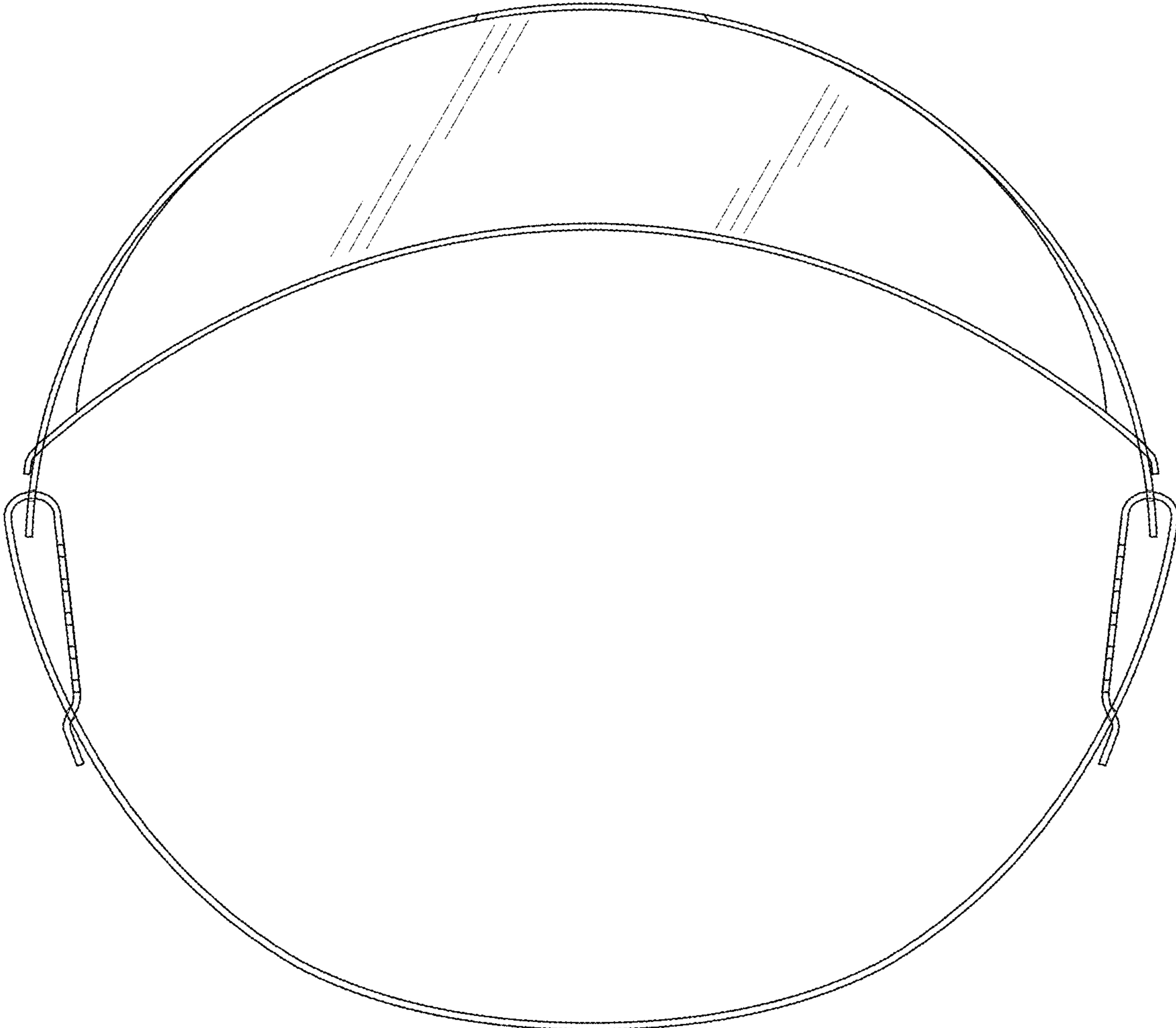


FIG. 6