



US00D950855S

(12) **United States Design Patent**
Wang

(10) **Patent No.:** **US D950,855 S**

(45) **Date of Patent:** **** May 3, 2022**

(54) **EYELASH OBSERVATION MIRROR**

(71) Applicant: **Qingdao Yuansuijiaren Cosmetics Co., Ltd.**, Shandong (CN)

(72) Inventor: **Yanhua Wang**, Gansu (CN)

(**) Term: **15 Years**

(21) Appl. No.: **29/775,127**

(22) Filed: **Mar. 22, 2021**

(30) **Foreign Application Priority Data**

Sep. 23, 2020 (CN) 202030569936.2

(51) **LOC (13) Cl.** **28-03**

(52) **U.S. Cl.**
USPC **D28/64.4**

(58) **Field of Classification Search**
USPC D6/300, 301, 308, 309, 310, 312;
D28/64.1, 64.4, 64.6, 64.7
CPC A47G 1/00; A47G 1/0633; A47G 1/0622;
A47G 1/04; A47G 2200/08; A47G
2200/085; A45D 42/20; F21V 33/004
See application file for complete search history.

(56) **References Cited**

U.S. PATENT DOCUMENTS

D200,537 S * 3/1965 Sanden D24/139
D216,313 S * 12/1969 Smith D24/139
4,090,506 A * 5/1978 Pilgrim A61B 1/267
362/139
D281,718 S * 12/1985 Holstad D24/139
5,139,421 A * 8/1992 Verderber A61B 1/07
433/30
D373,420 S * 9/1996 Ingram D24/176
D379,656 S * 6/1997 Reynolds D24/139
D382,641 S * 8/1997 Gore D24/176

D442,371 S * 5/2001 Eberts D6/309
6,595,775 B1 * 7/2003 Berk A61B 1/247
433/30
D809,658 S * 2/2018 Schepperhyn D24/139
D916,289 S * 4/2021 Durand D24/154
D919,982 S * 5/2021 Yang D6/309
D942,158 S * 2/2022 Li D6/308
2010/0279249 A1 * 11/2010 Lin A61B 1/247
433/30

FOREIGN PATENT DOCUMENTS

GB 6036181 * 5/2018
GB 6043781 * 9/2018

* cited by examiner

Primary Examiner — Deanna L Pratt

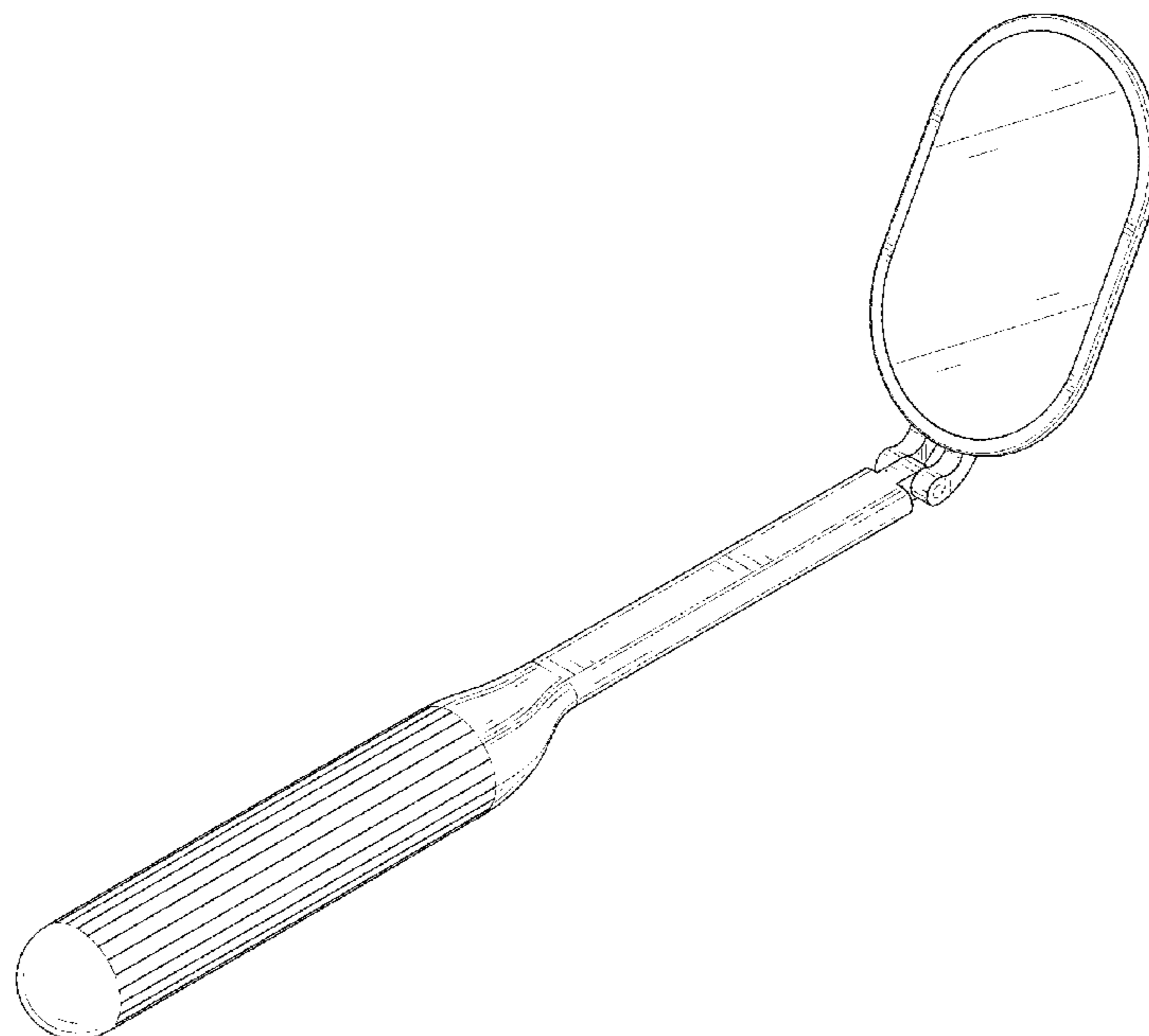
(57) **CLAIM**

The ornamental design for an eyelash observation mirror, as shown and described.

DESCRIPTION

FIG. 1 is a front and top perspective view of an eyelash observation mirror, showing my new design;
FIG. 2 is a rear and bottom perspective view thereof;
FIG. 3 is a front elevation view thereof;
FIG. 4 is a rear elevation view thereof;
FIG. 5 is a left side elevation view thereof;
FIG. 6 is a right side elevation view thereof;
FIG. 7 is a top plan view thereof;
FIG. 8 is a bottom plan view thereof; and,
FIG. 9 is another perspective view thereof, shown in an alternative position.
The broken lines in the figures illustrate portions of the eyelash observation mirror that form no part of the claimed design.

1 Claim, 9 Drawing Sheets



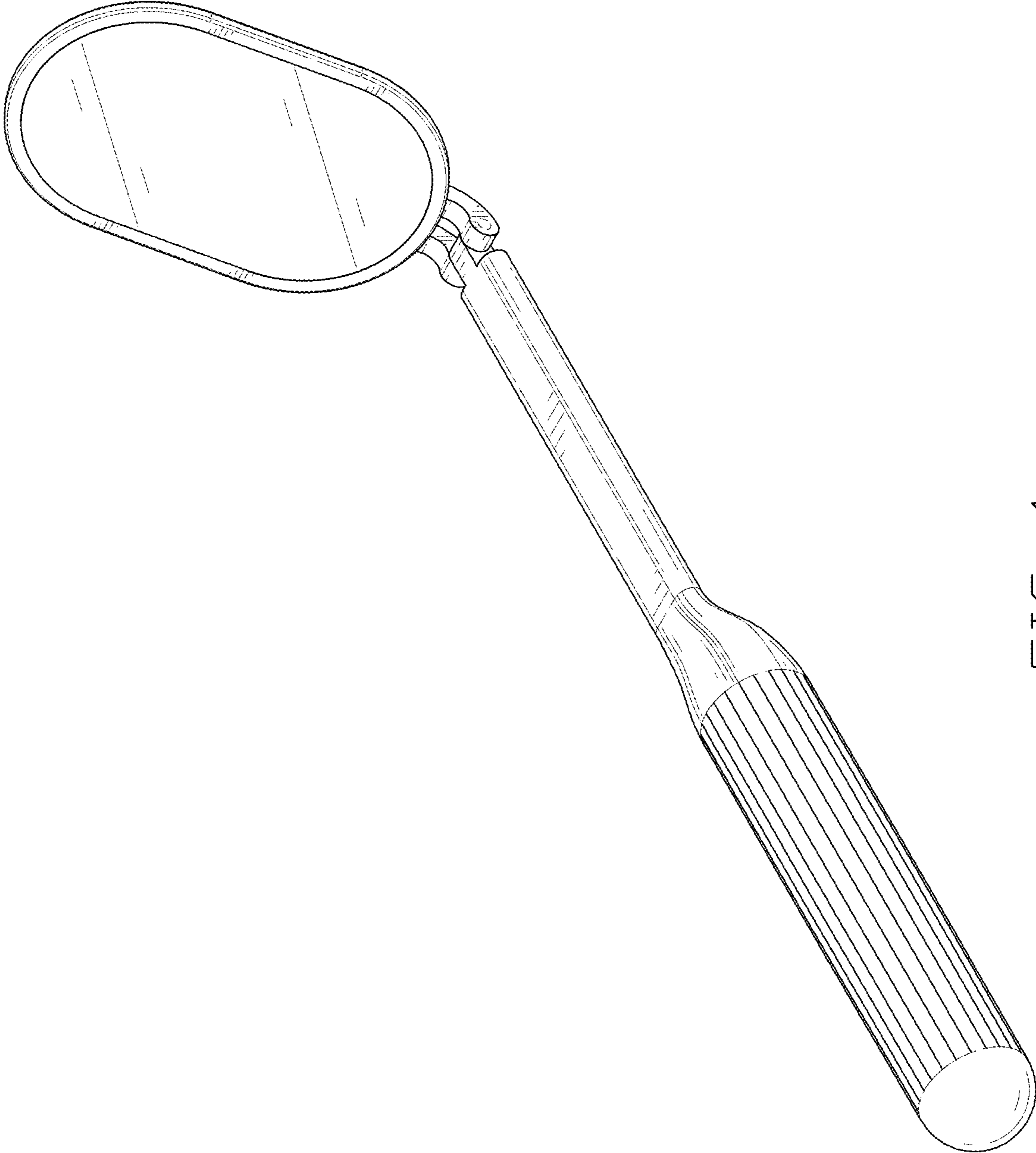


FIG. 1

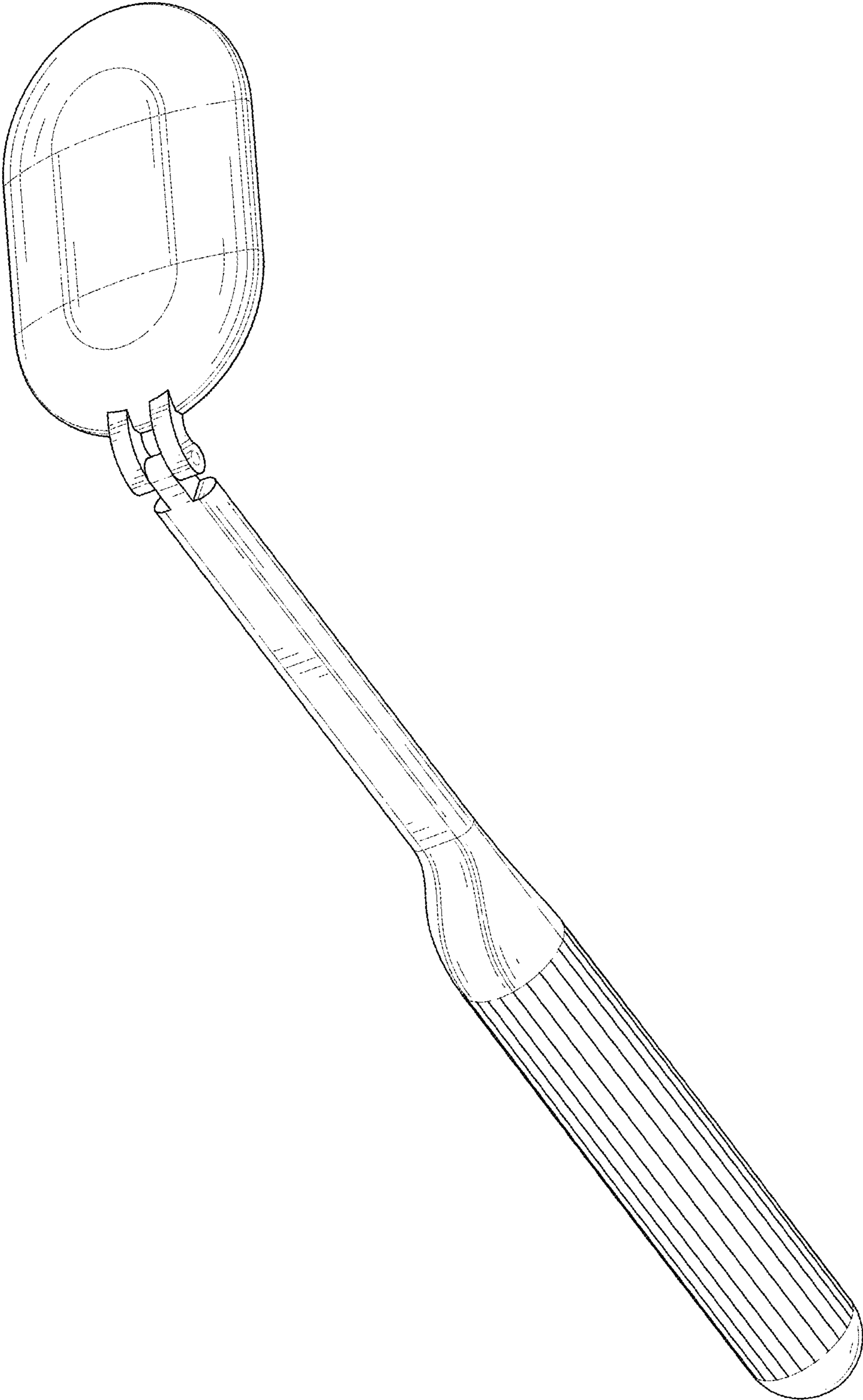


FIG. 2

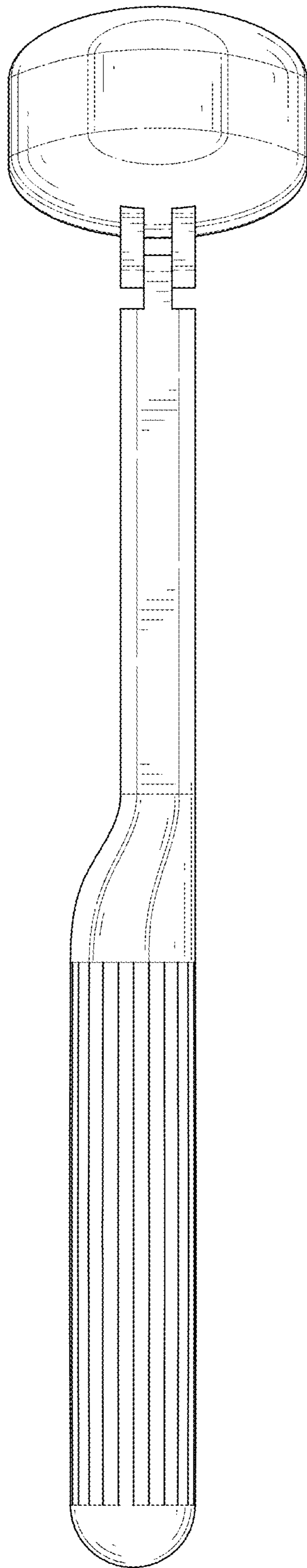


FIG. 3

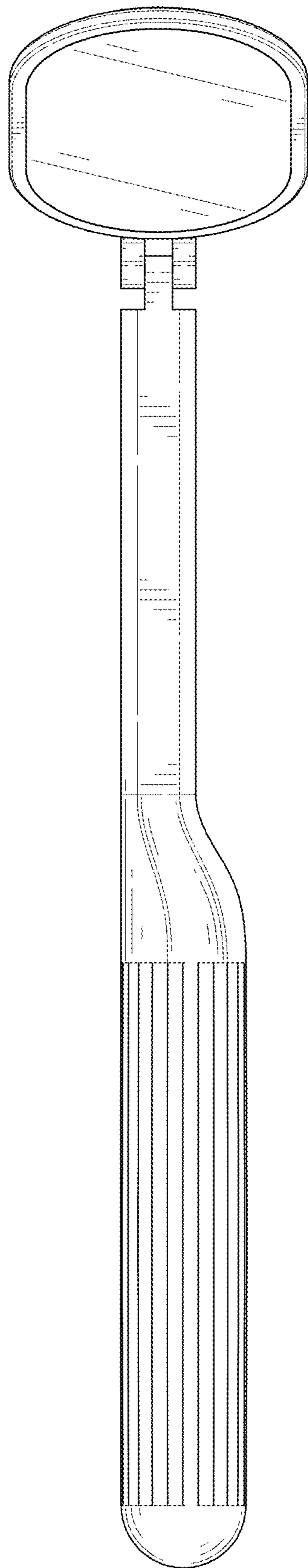


FIG. 4

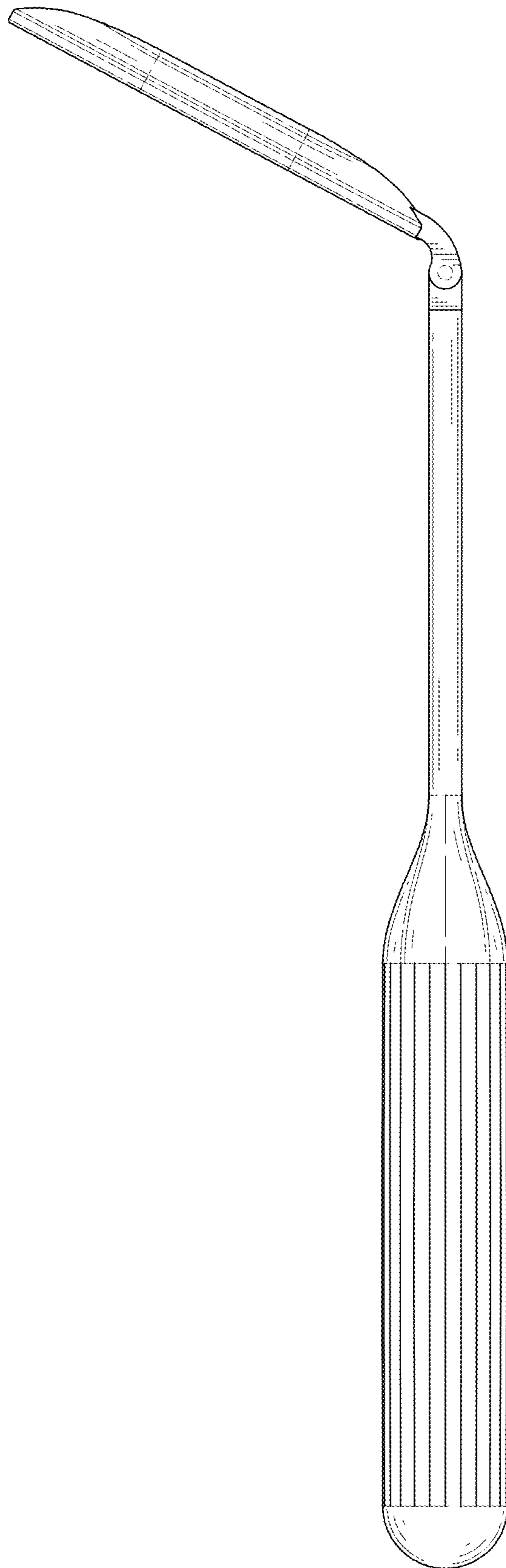


FIG. 5

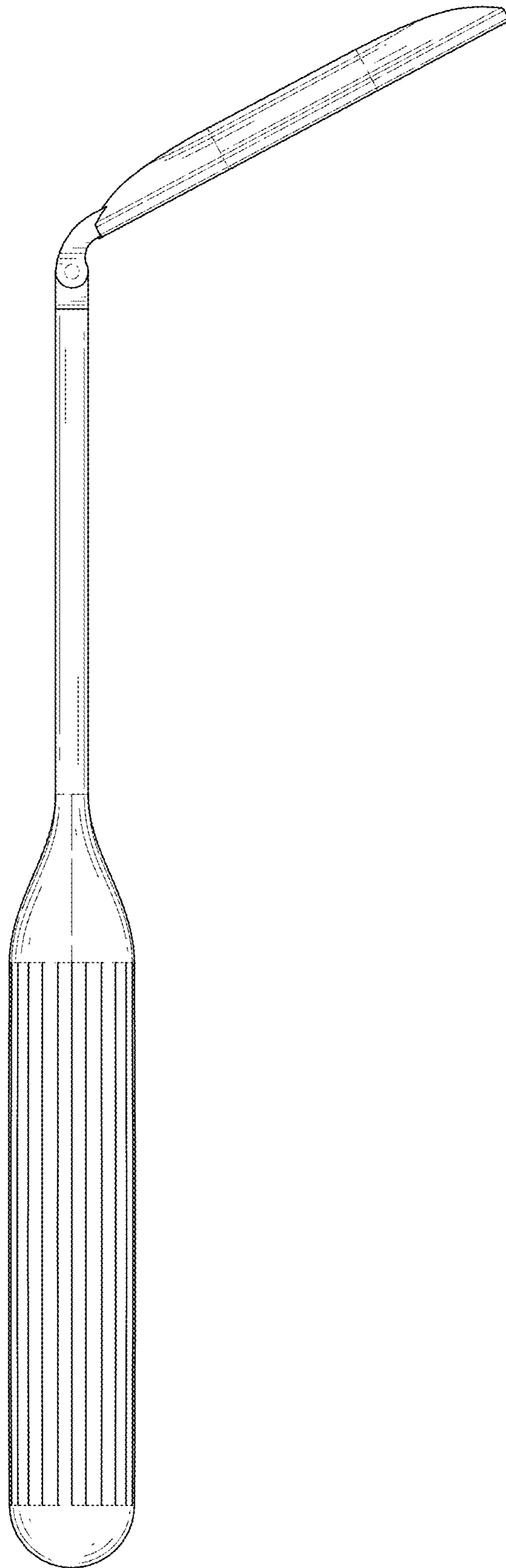


FIG. 6

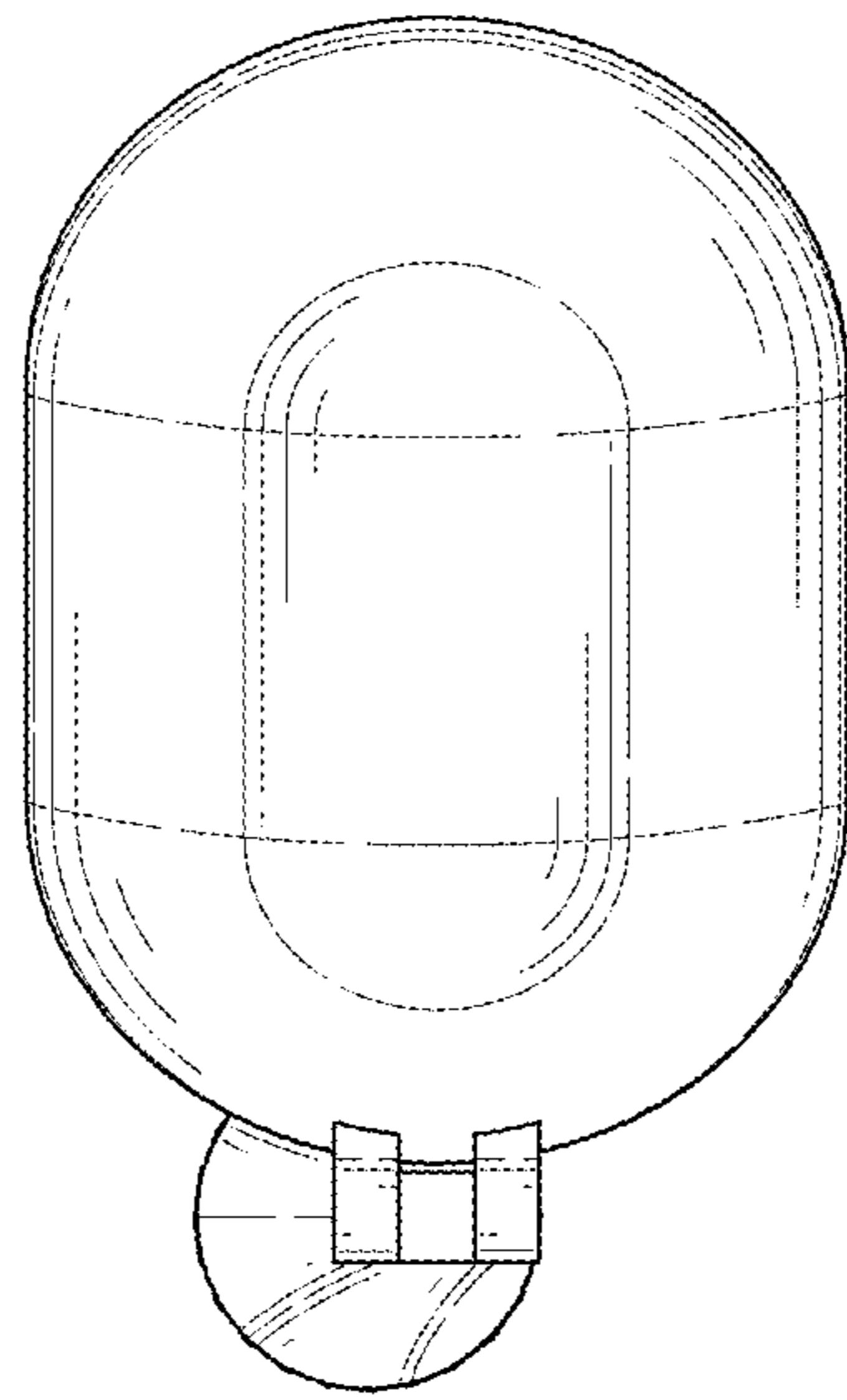


FIG. 7

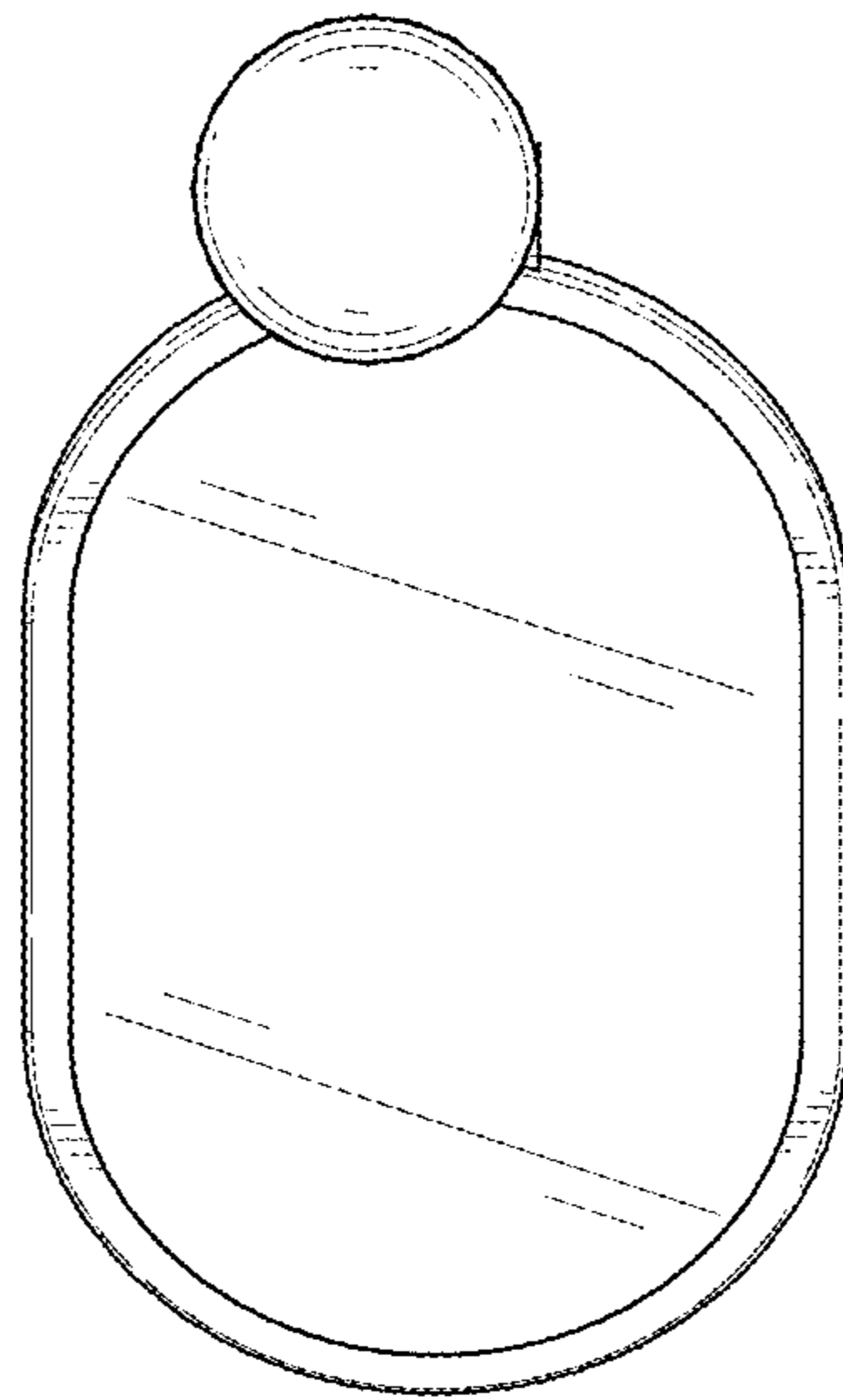


FIG. 8

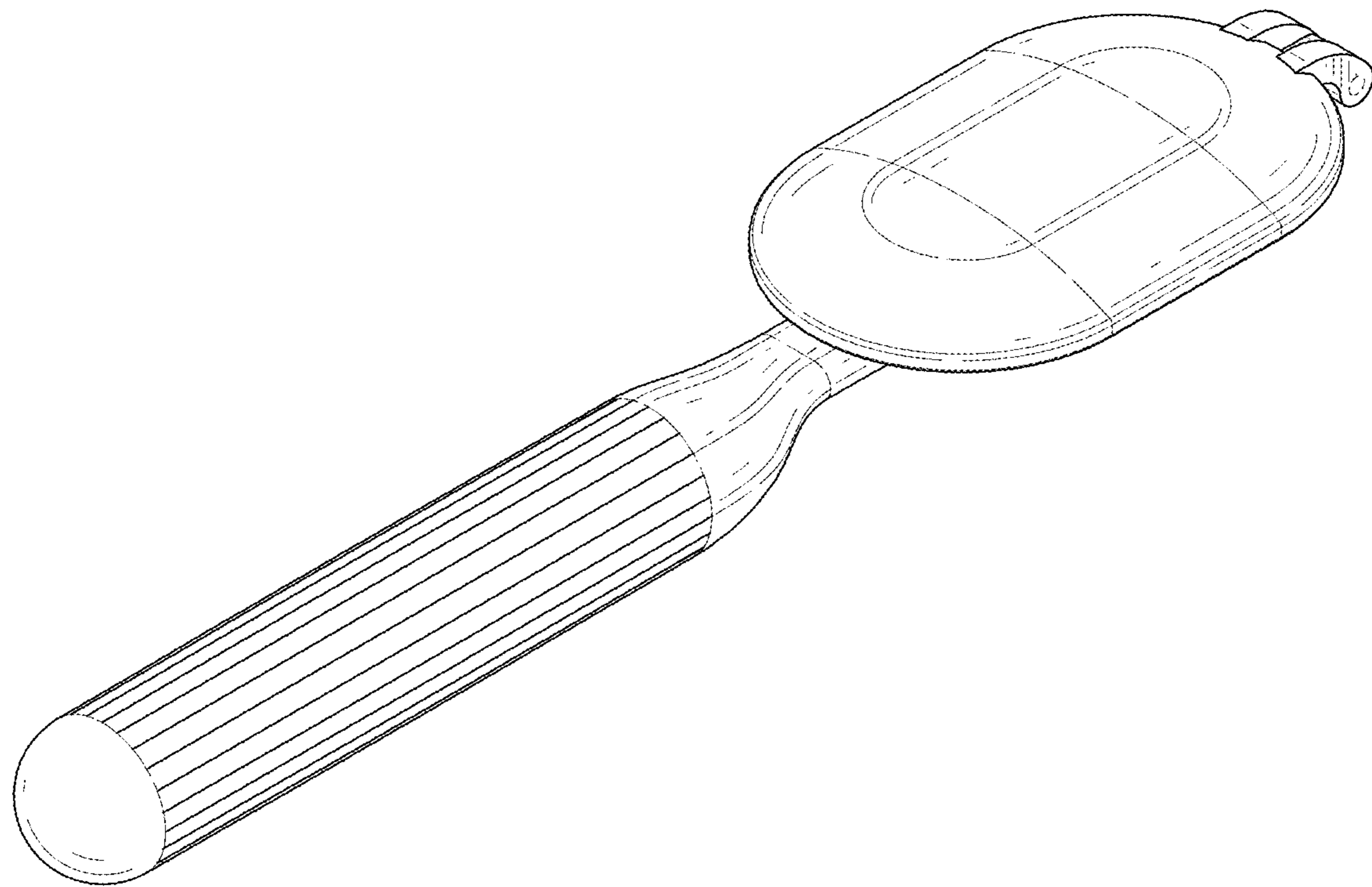


FIG. 9