



US00D950854S

(12) **United States Design Patent** (10) **Patent No.:** **US D950,854 S**
Ishida (45) **Date of Patent:** **** May 3, 2022**

(54) **FOLDING NAIL SHAVER**

(71) Applicant: **Green Bell Co., Ltd.**, Osaka (JP)

(72) Inventor: **Itsuto Ishida**, Osaka (JP)

(73) Assignee: **Green Bell Co., Ltd.**, Osaka (JP)

(**) Term: **15 Years**

(21) Appl. No.: **29/652,358**

(22) Filed: **Jul. 27, 2020**

(51) **LOC (13) Cl.** **28-03**

(52) **U.S. Cl.**
USPC **D28/59**

(58) **Field of Classification Search**
USPC D28/56-60, 99; D24/133; D8/105-106
CPC A45D 29/00; A45D 29/02; A45D 29/04;
A45D 29/05; A45D 29/06; A45D 29/11;
A45D 29/14; A45D 29/18; A45D 44/00;
A45D 2029/026; B26B 21/00
See application file for complete search history.

(56) **References Cited**

U.S. PATENT DOCUMENTS

1,994,215	A *	3/1935	Gaunt	B26B 1/02 30/155
2,575,652	A *	11/1951	Bovee	A45D 29/18 294/99.2
D204,929	S *	5/1966	Aylott	D4/116
D206,875	S *	2/1967	Mosch	D8/99
D373,854	S *	9/1996	Hudson	D28/59
6,170,158	B1 *	1/2001	Daily	B26B 1/046 30/155
D639,508	S *	6/2011	Huynh	D28/59
D655,864	S *	3/2012	Zeitouny	D28/59
D662,669	S *	6/2012	Ishida	D28/59
D730,446	S *	5/2015	Busch	D19/121
D911,808	S *	3/2021	Childers	D8/90
2020/0361071	A1 *	11/2020	Lopez	B25F 1/04

OTHER PUBLICATIONS

Green Bell Co Stainless Steel Nail Shaver, retrieved on Oct. 8, 2021, retrieved from the Internet URL: https://www.greenbell.ne.jp/cgi-bin/whatsnew/whats_display.cgi?id:products-e+call:NC%2d302+base:/html/products03e.html+filter:2!eq!3!and!4!eq!1!and!12!eq!1+filter:2!eq!3!and!4!eq!2!and!12!eq!1+filter:2!eq!3!and!4!*

* cited by examiner

Primary Examiner — Jennifer Rivard

Assistant Examiner — Alison M Ofstun

(74) *Attorney, Agent, or Firm* — Welsh Flaxman & Gitler LLC

(57) **CLAIM**

The ornamental design for a folding nail shaver, as shown and described.

DESCRIPTION

FIG. 1 is a left side elevation view of the folding nail shaver; FIG. 2 is a right side elevation view of the folding nail shaver; FIG. 3 is a rear elevation view of the folding nail shaver; FIG. 4 is a front elevation view of the folding nail shaver; FIG. 5 is a top plan view of the folding nail shaver; FIG. 6 is bottom plan view of the folding nail shaver; FIG. 7 is a top view of the folding nail shaver, shown in an open position of use; FIG. 8 is a perspective view of the folding nail shaver, shown in an open position of use; FIG. 9 is a perspective view of the folding nail shaver, shown in a closed position of use; and, FIG. 10 is an enlarged view of portion "10" shown in FIG. 7.

In the drawings, the dashed broken lines illustrate enlarged view indicators and form no part of the claimed design and the evenly-spaced broken lines illustrate portions of the article which form no part of the claimed design.

1 Claim, 3 Drawing Sheets

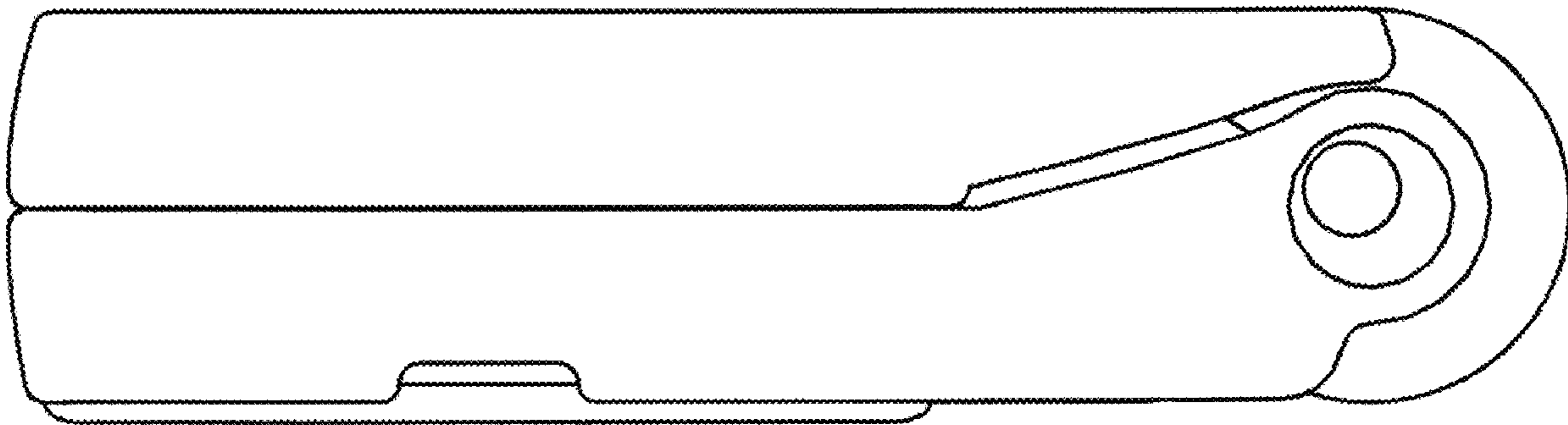


Fig.1

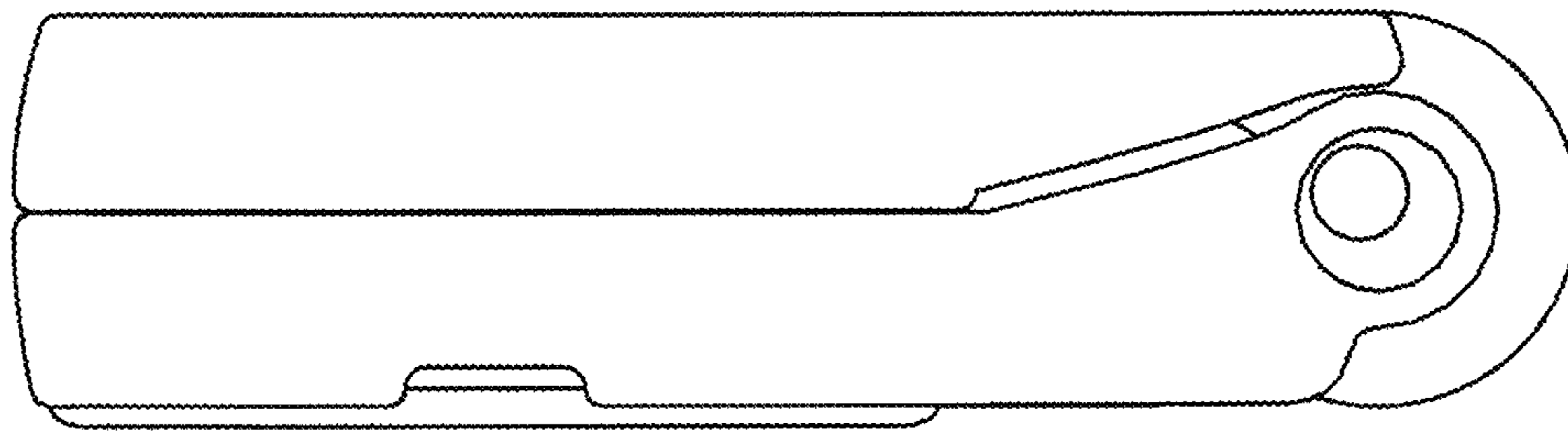


Fig.2

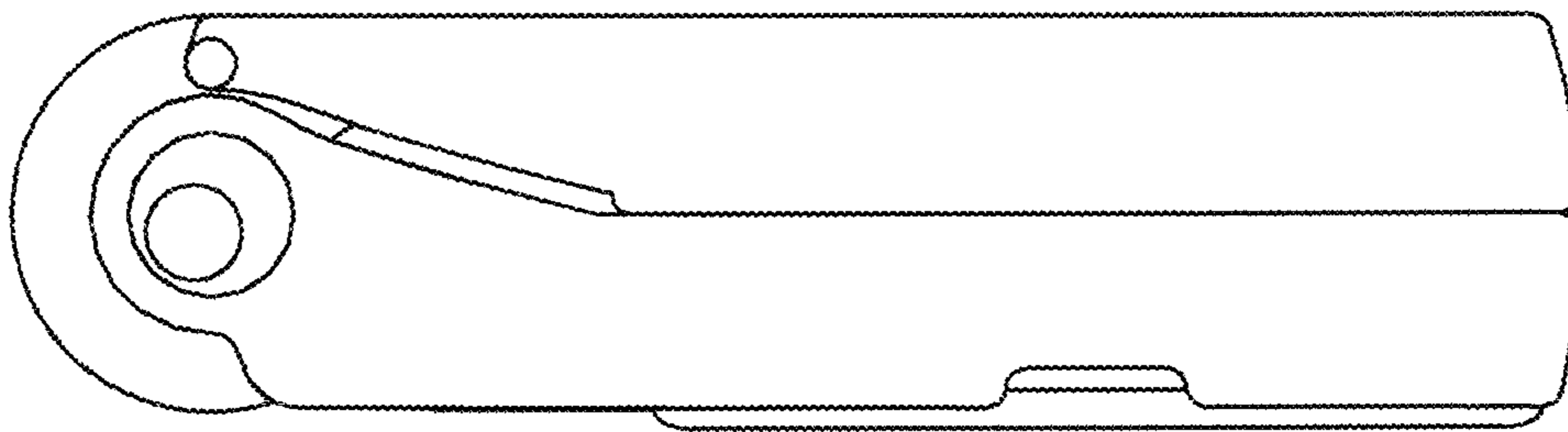


Fig.3

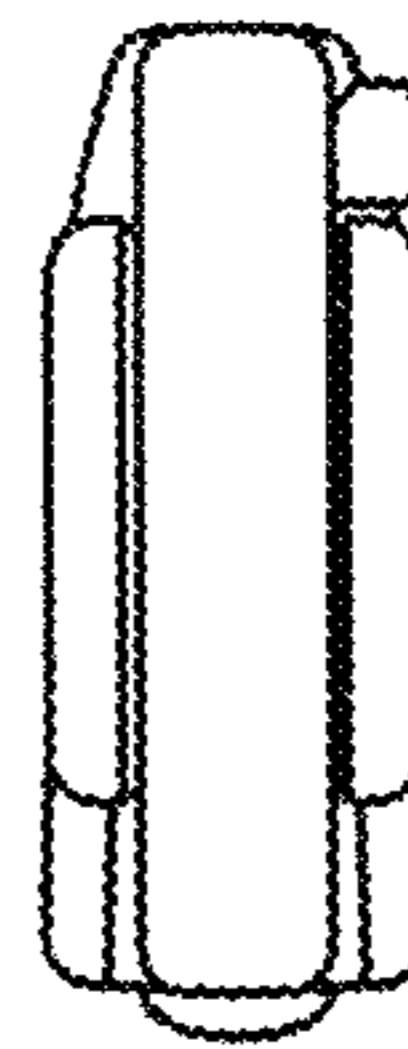


Fig.4

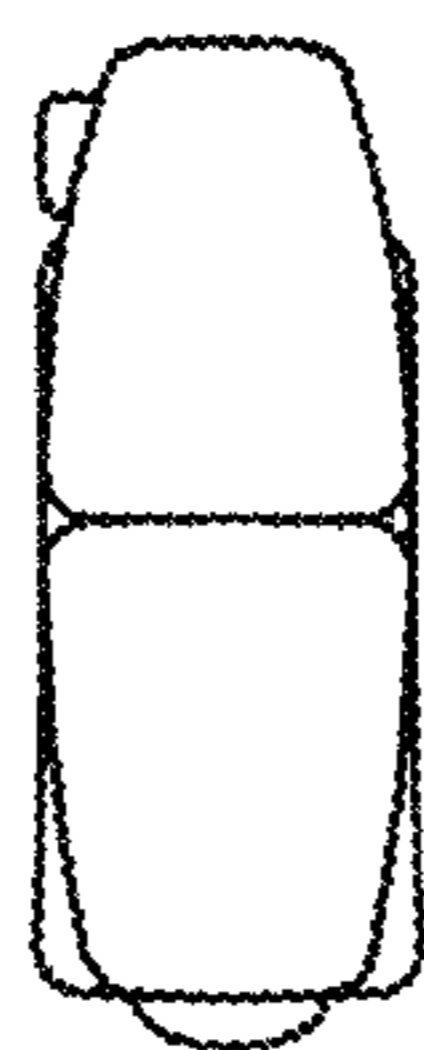


Fig.5



Fig.6



Fig.7

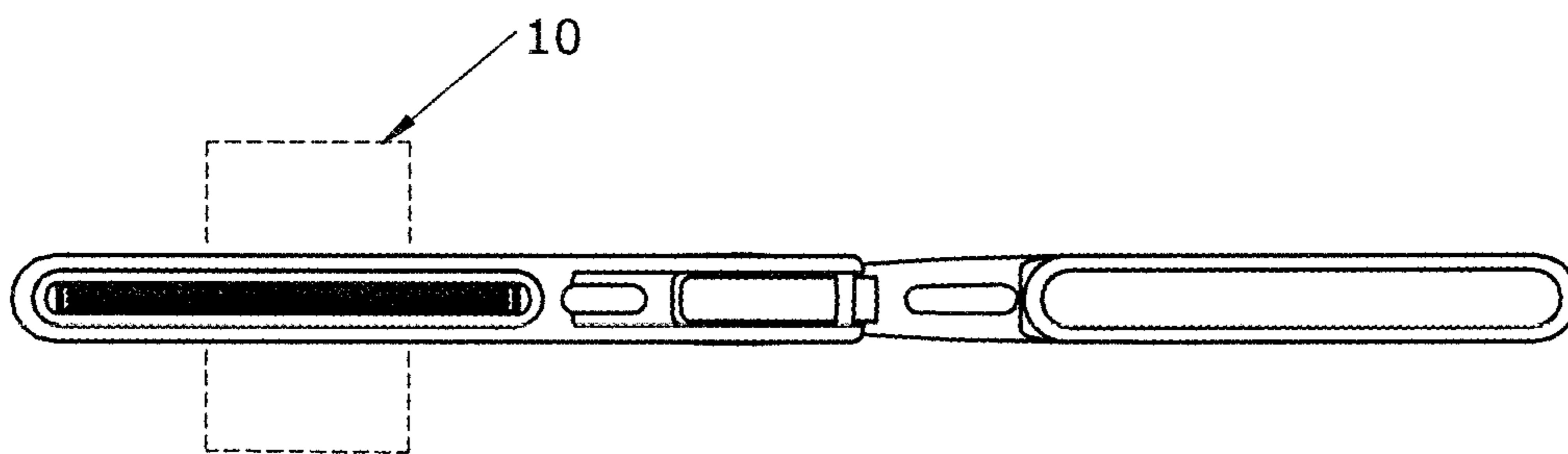


Fig.8

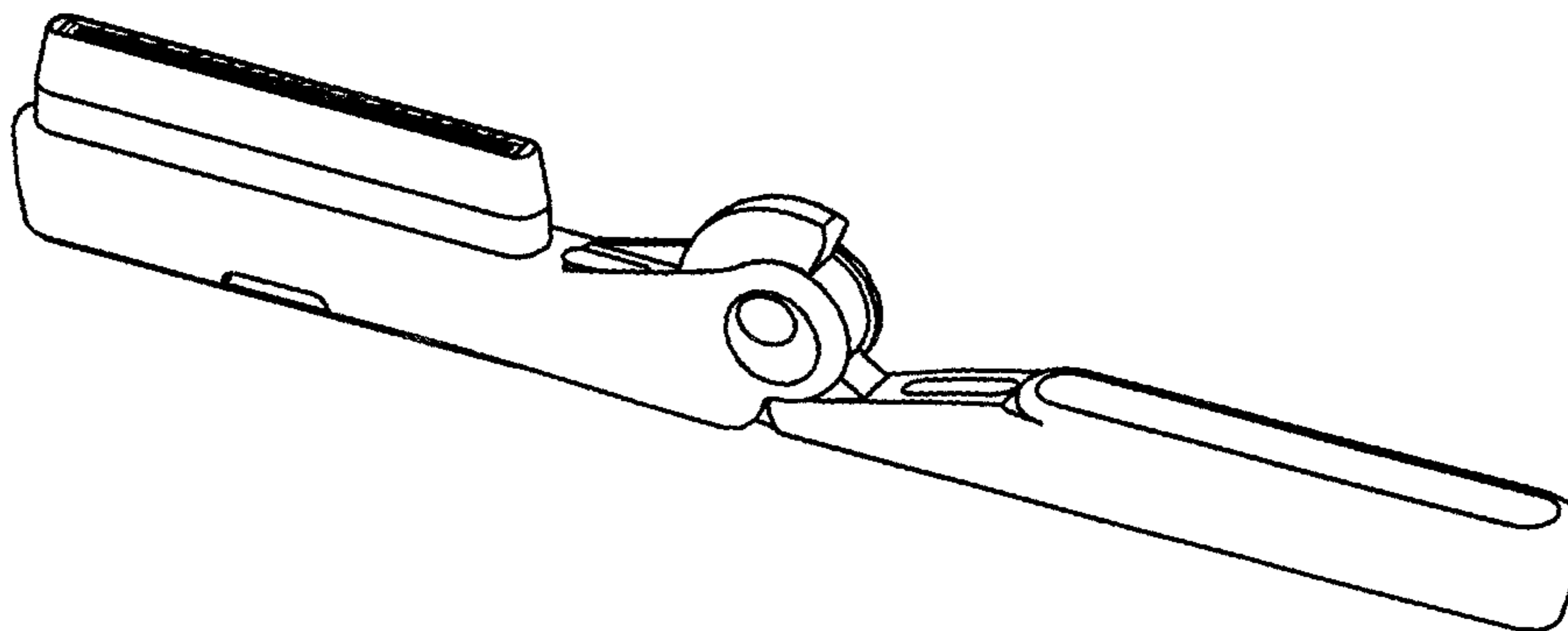


Fig.9

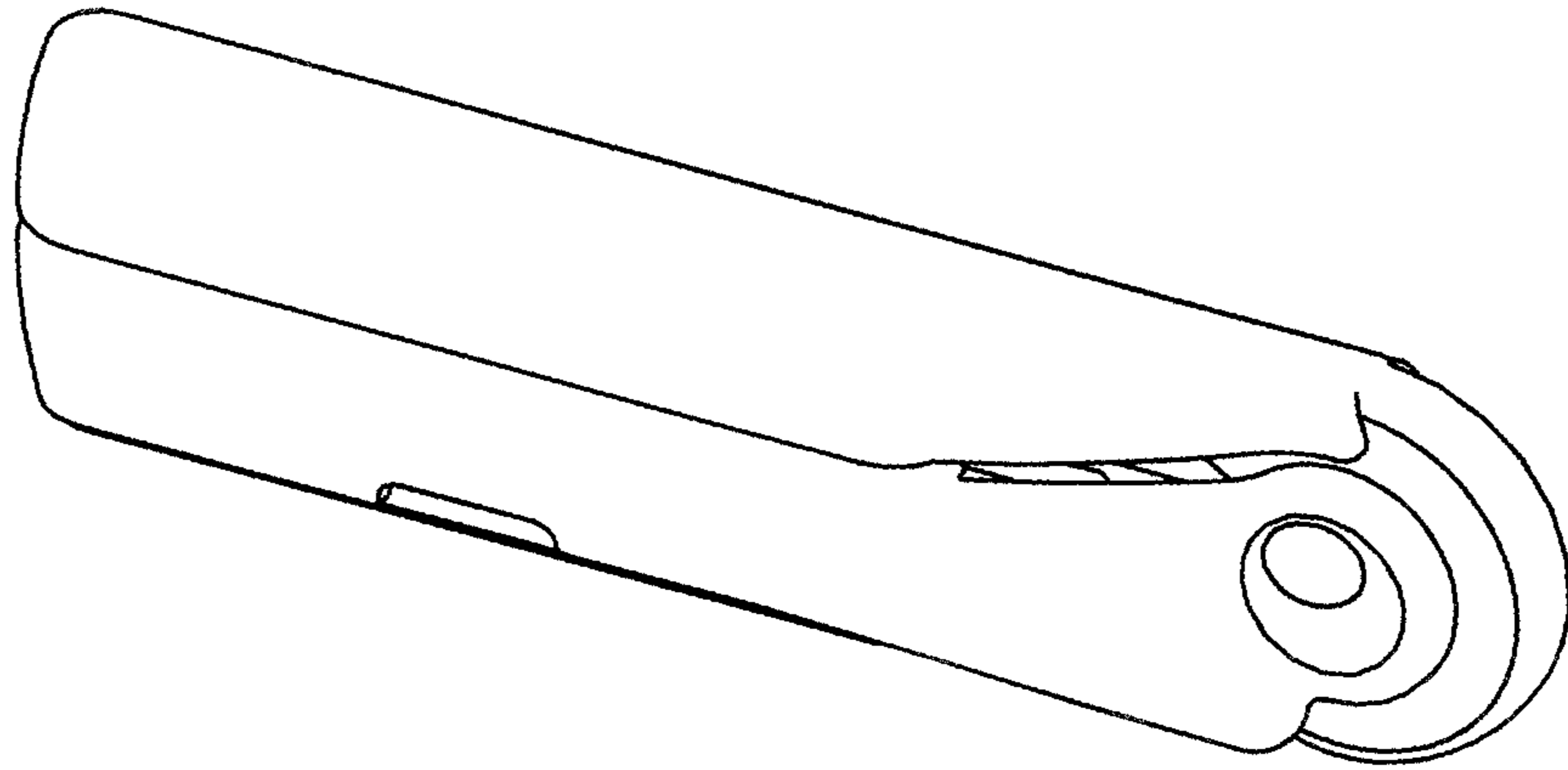


Fig.10

