



US00D950848S

(12) **United States Design Patent**
Chen

(10) **Patent No.:** **US D950,848 S**

(45) **Date of Patent:** **** May 3, 2022**

(54) **HAIR DRIER**

(71) Applicant: **Guangdong Wuye Technology Co., Ltd.**, Dongguan (CN)

(72) Inventor: **Yiyang Chen**, Dongguan (CN)

(73) Assignee: **GUANGDONG WUYE TECHNOLOGY CO., LTD.**, Dongguan (CN)

(**) Term: **15 Years**

(21) Appl. No.: **29/762,985**

(22) Filed: **Dec. 20, 2020**

(51) **LOC (13) Cl.** **28-03**

(52) **U.S. Cl.**
USPC **D28/13**

(58) **Field of Classification Search**
USPC D28/12-19; D8/29.1
CPC A45D 20/00; A45D 20/04; A45D 20/08;
A45D 20/10; A45D 20/12; A45D
2020/128
See application file for complete search history.

(56) **References Cited**

U.S. PATENT DOCUMENTS

D715,995 S * 10/2014 Dyson A45D 20/12
D28/13
D715,996 S * 10/2014 Dyson A45D 20/12
D28/13

D716,492 S * 10/2014 Dyson A45D 20/12
D28/13
D729,979 S * 5/2015 Gammack D28/13
D730,575 S * 5/2015 Bates D28/13
D731,117 S * 6/2015 Bates D28/13
D791,407 S * 7/2017 Smith D28/13
D893,097 S * 8/2020 Huang D28/13
D898,281 S * 10/2020 Yang D28/13
D911,604 S * 2/2021 Chen D28/13
D919,175 S * 5/2021 Yu D28/13
D933,292 S * 10/2021 Yang D28/13

* cited by examiner

Primary Examiner — Zenia I Bennett

(74) *Attorney, Agent, or Firm* — Bayramoglu Law Offices LLC

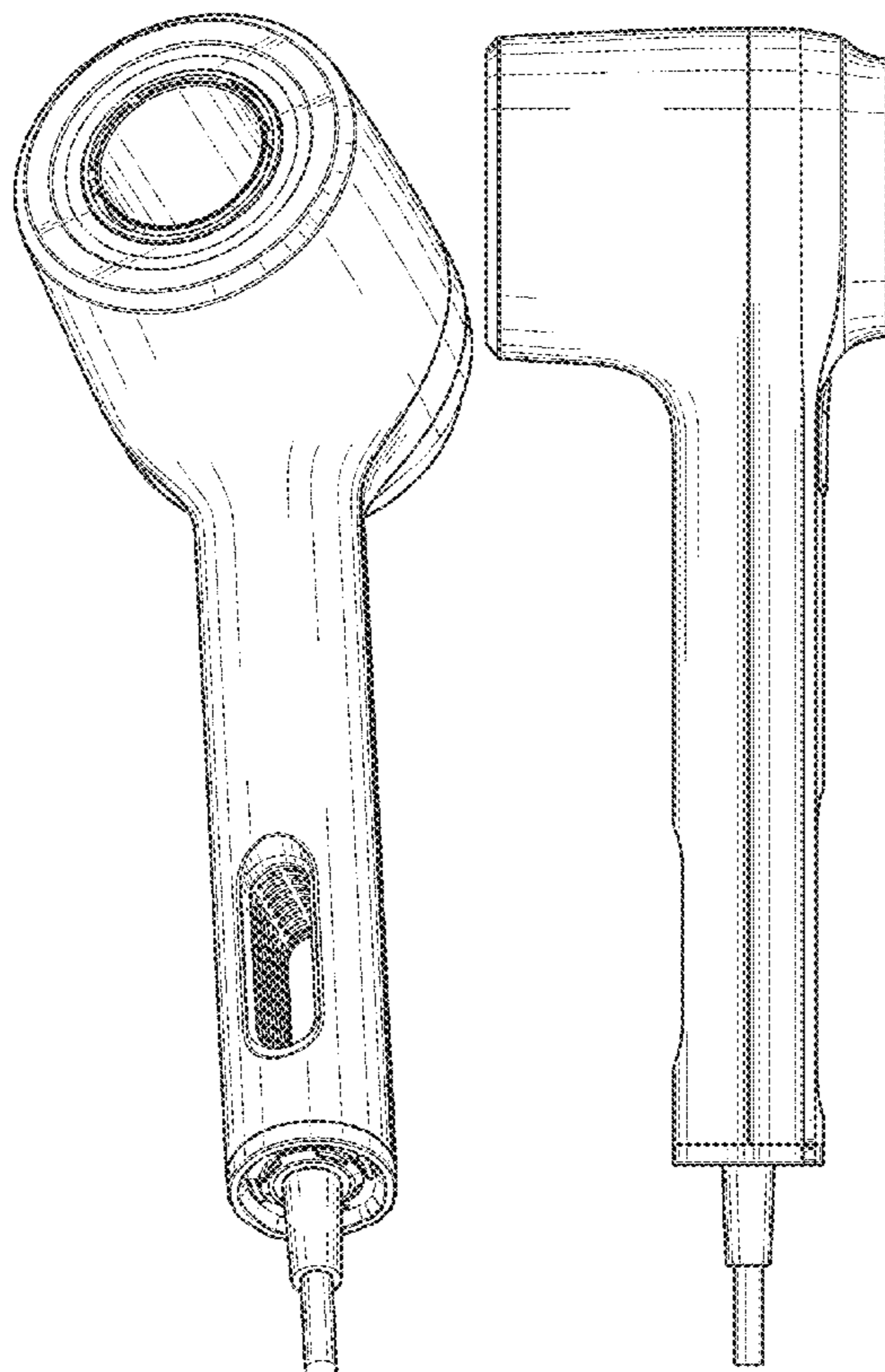
(57) **CLAIM**

The ornamental design for a hair drier, as shown and described.

DESCRIPTION

FIG. 1 is a front, bottom and right perspective view of a hair drier showing my new design;
FIG. 2 is a front view thereof;
FIG. 3 is a rear view thereof;
FIG. 4 is a right side view thereof;
FIG. 5 is a top view thereof;
FIG. 6 is a bottom view thereof; and,
FIG. 7 is a rear, top and right perspective view thereof.
A left side view is omitted since the left side view is a mirror image of the right side view.

1 Claim, 7 Drawing Sheets



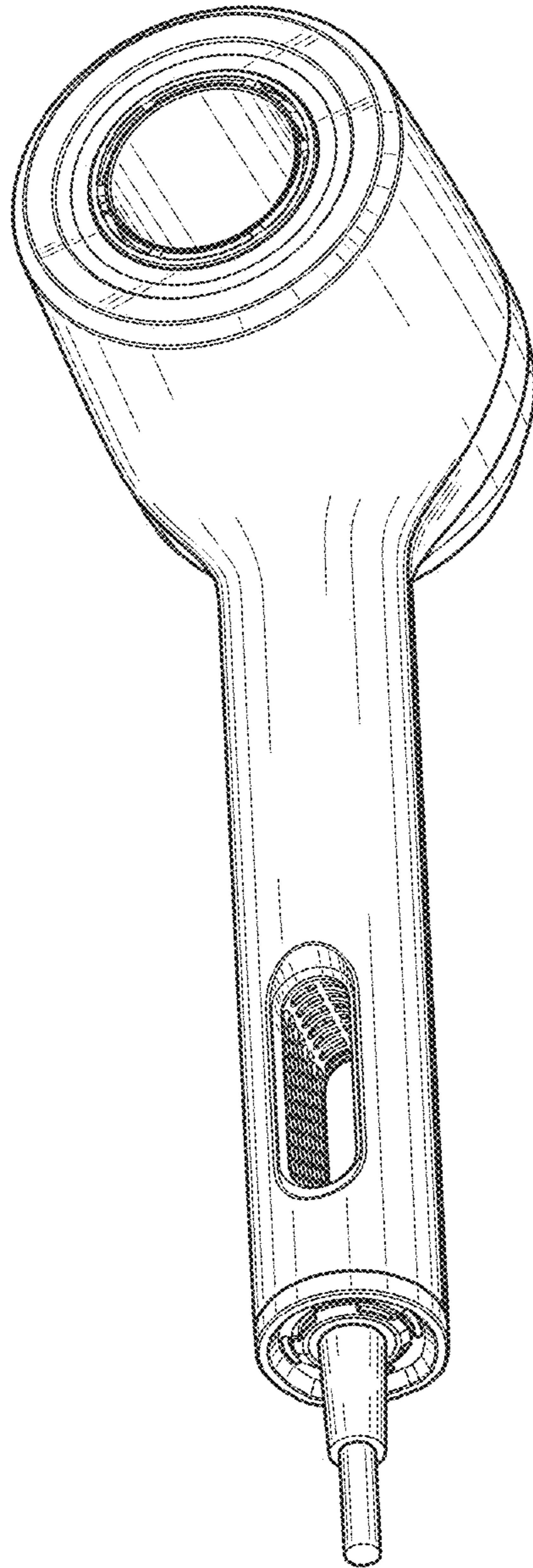


Fig. 1

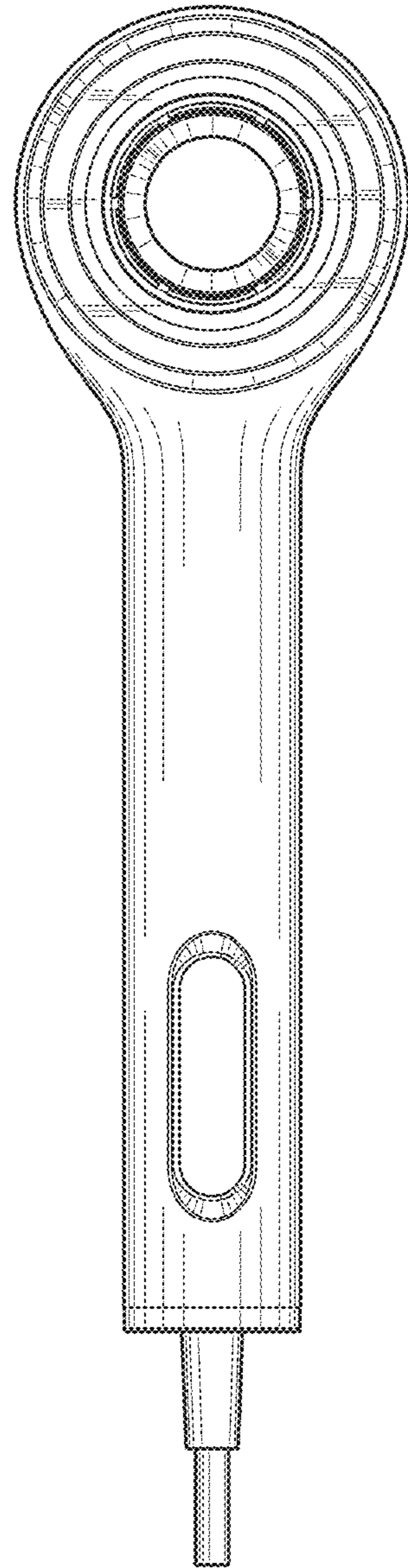


Fig. 2

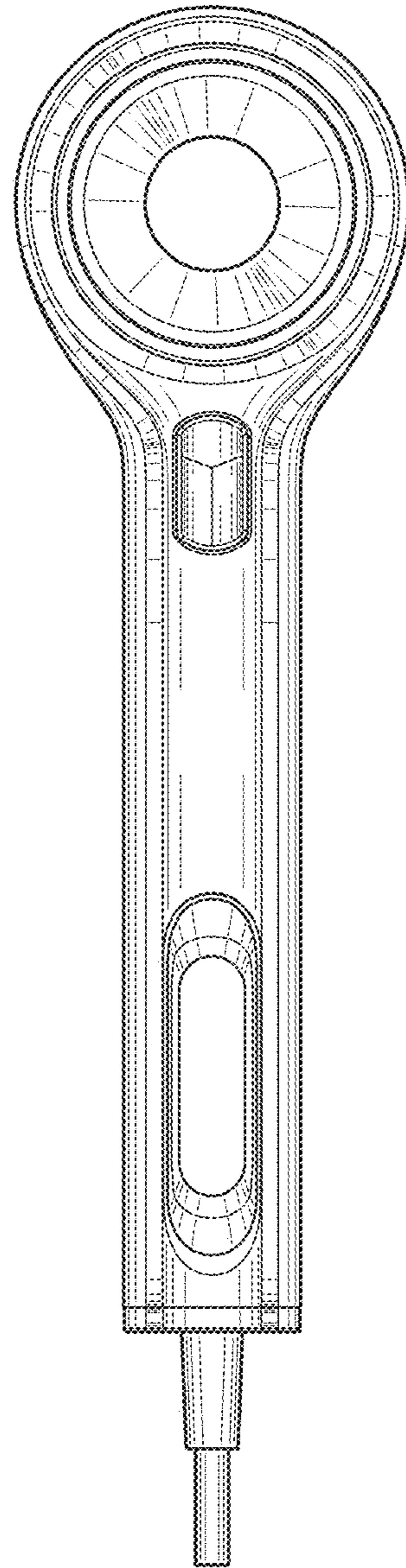


Fig. 3

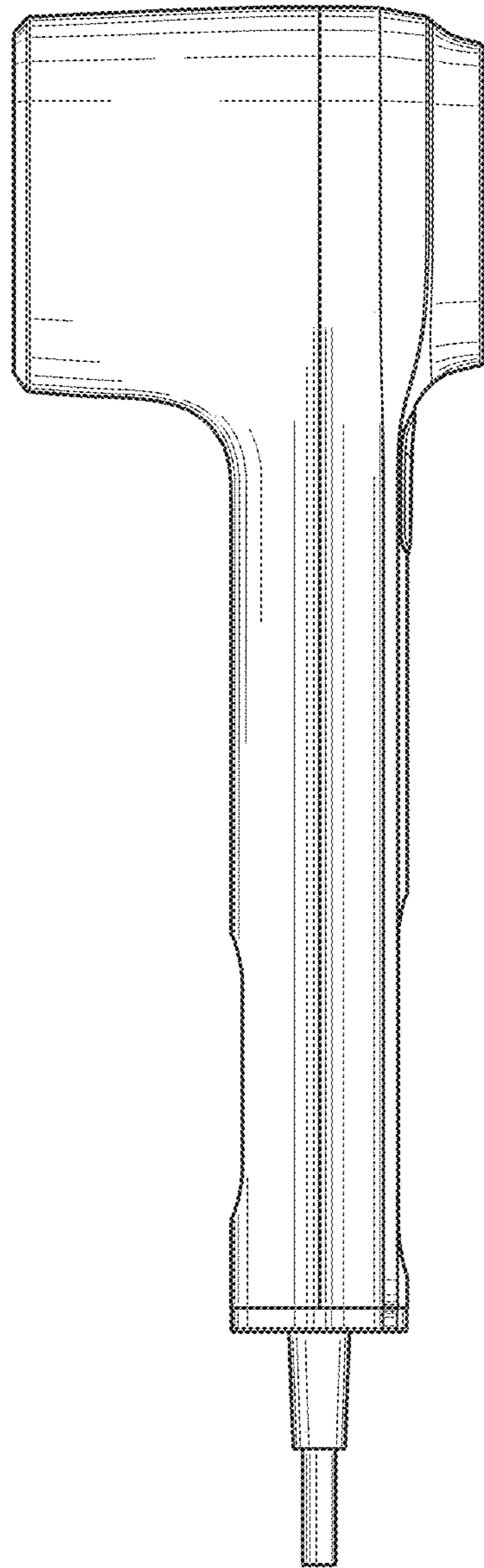


Fig. 4

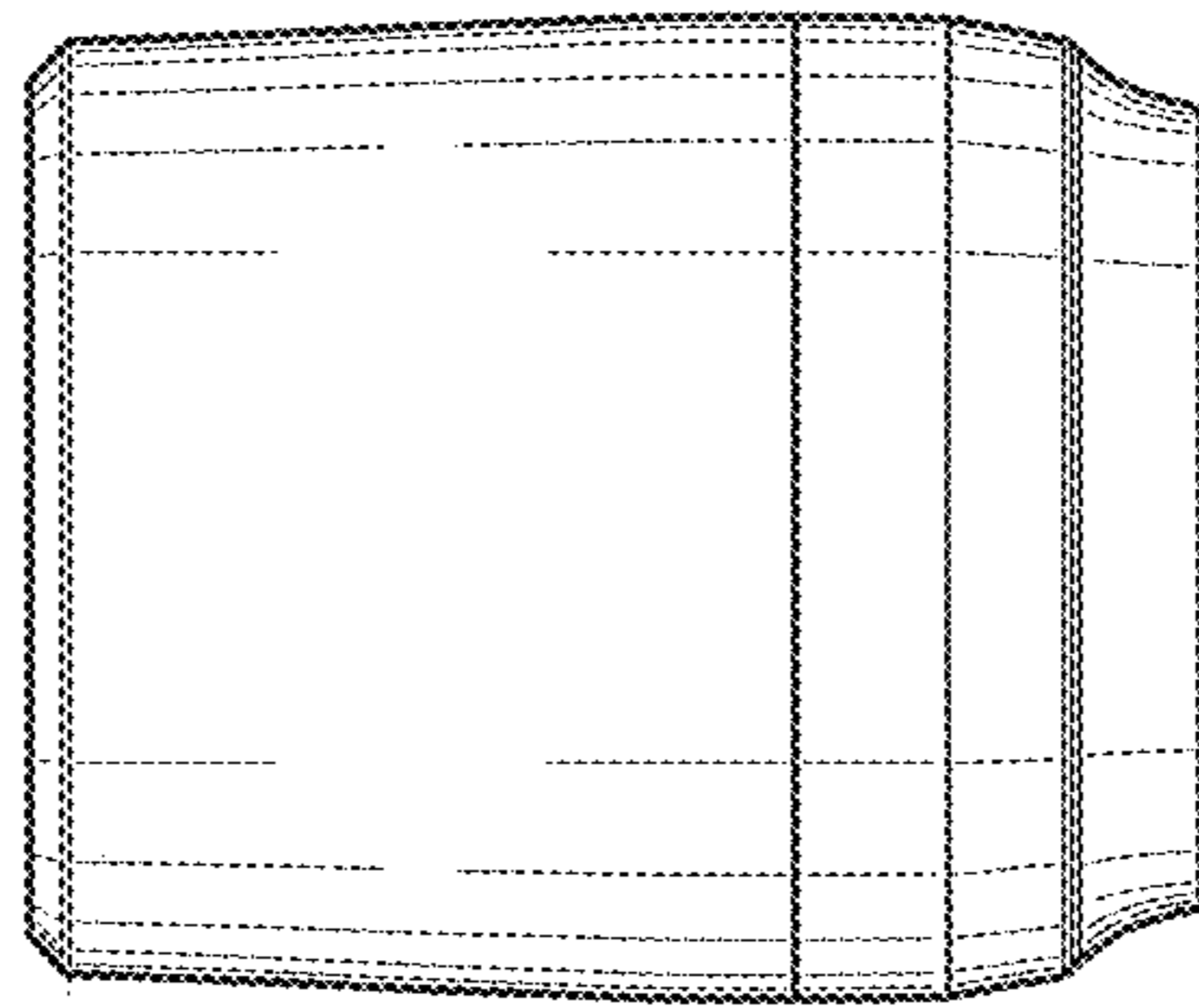


Fig. 5

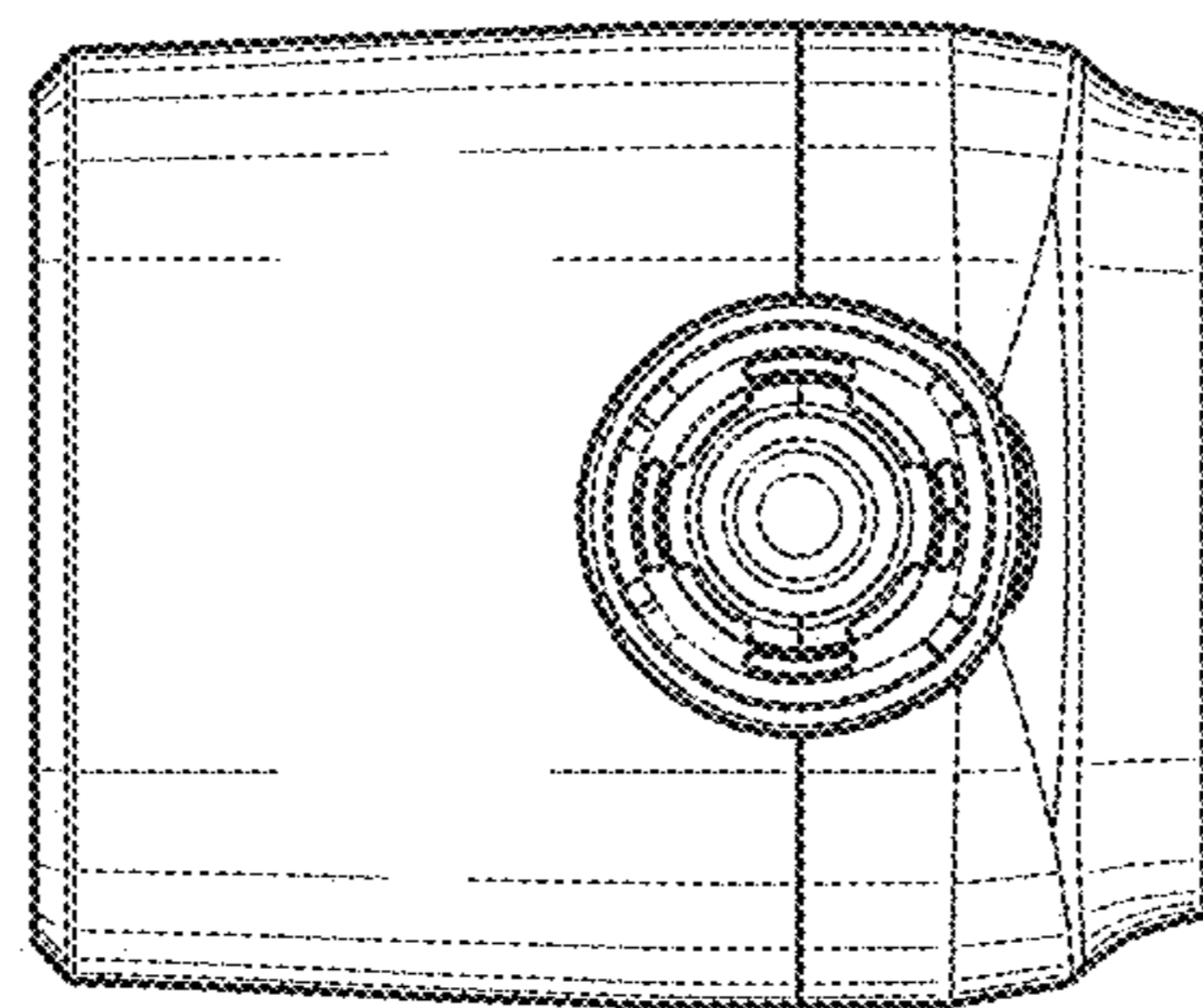


Fig. 6

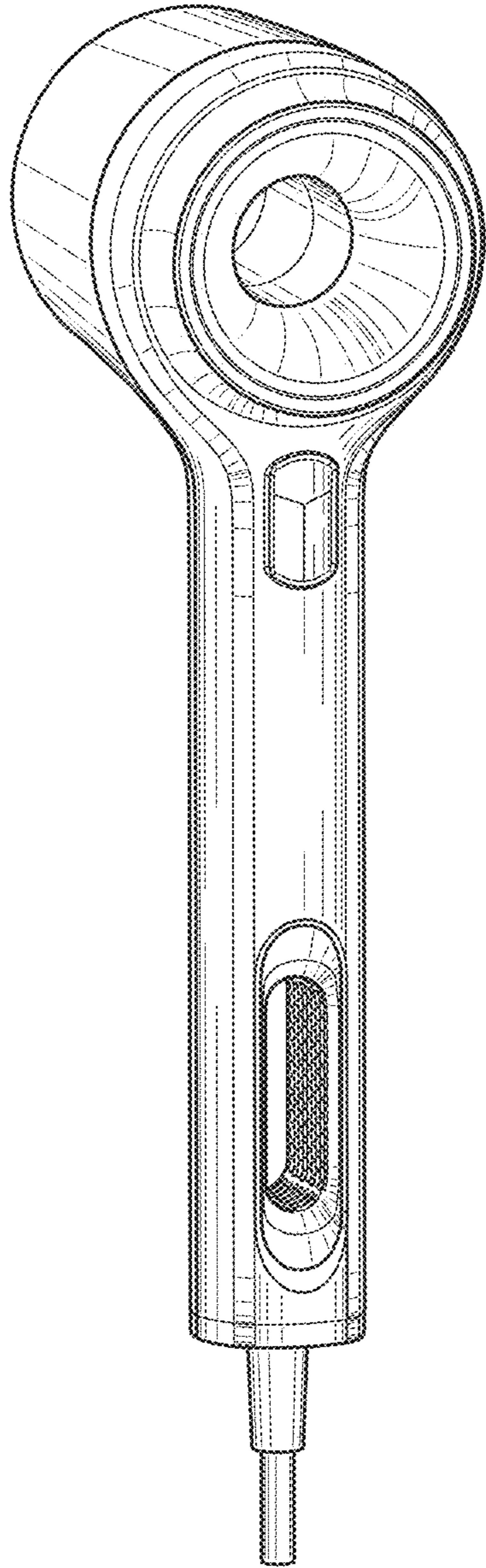


Fig. 7