



US00D950847S

(12) **United States Design Patent**
Harthoorn

(10) **Patent No.:** **US D950,847 S**

(45) **Date of Patent:** **** May 3, 2022**

- (54) **HERB GRINDER FOR SMOKER**
- (71) Applicant: **FUTURE HOLDING B.V.**, Amsterdam (NL)
- (72) Inventor: **Jeroen Harthoorn**, Amsterdam (NL)
- (**) Term: **15 Years**
- (21) Appl. No.: **29/723,851**
- (22) Filed: **Feb. 11, 2020**

| | | | | | |
|------------|------|---------|--------------|-------|-------------|
| 9,521,929 | B1 * | 12/2016 | Raphael | | B02C 18/186 |
| 9,681,777 | B1 * | 6/2017 | Dukat | | A47J 42/40 |
| 9,757,733 | B1 * | 9/2017 | Dukat | | A47J 42/40 |
| D804,093 | S * | 11/2017 | Chen | | D27/195 |
| 10,015,985 | B1 * | 7/2018 | Blakely, III | | A24F 5/00 |
| D833,673 | S * | 11/2018 | Booth | | D27/194 |
| D842,537 | S * | 3/2019 | Booth | | D27/194 |
| 10,463,071 | B2 * | 11/2019 | Rushforth | | B65D 81/22 |
| D874,886 | S * | 2/2020 | Breneman | | D7/679 |
| 10,820,753 | B2 * | 11/2020 | Sanchez | | A47J 42/34 |

Related U.S. Application Data

- (62) Division of application No. 35/504,737, filed on Mar. 13, 2018 (U.S. filing date under 35 U.S.C. 384), and having an international filing date of Mar. 13, 2018, now Pat. No. Des. 886,367.

Foreign Application Priority Data

- (30) Sep. 13, 2017 (EM) 004350650

(51) **LOC (13) Cl.** **27-99**

(52) **U.S. Cl.**

USPC **D27/195**

(58) **Field of Classification Search**

USPC D27/195, 186, 187, 183, 189, 172, 175, D27/194; D7/679, 372, 590-592, 597

CPC A24F 23/04; A24F 23/02; A24F 23/00; A24B 7/00; A24B 7/04; B02C 18/06; B02C 18/065

See application file for complete search history.

(56) **References Cited**

U.S. PATENT DOCUMENTS

| | | | | | |
|-----------|------|--------|-------------|-------|------------|
| D474,378 | S * | 5/2003 | Brandenburg | | D7/679 |
| 9,241,597 | B2 * | 1/2016 | Dukat | | A47J 42/14 |
| D755,022 | S * | 5/2016 | Dukat | | D7/679 |
| D762,090 | S * | 7/2016 | Grumbacher | | D7/679 |
| D762,091 | S * | 7/2016 | Grumbacher | | D7/679 |

OTHER PUBLICATIONS

VIVOSUN 2.5" 4 Pieces Clear Top Grinder Aluminium Grinder with Pollen Scraper Blue By: VIVOSUN found on line (Dec. 12, 2021) https://www.amazon.com/VIVOSUN-Pieces-Grinder-Aluminium-Scraper/dp/B07WDC6M8F/ref=sr_1_42?keywords=herb+grinder+for+smoker&qid= (May 11, 2020).*

* cited by examiner

Primary Examiner — Marissa J Cash

Assistant Examiner — Rebecca Tsehaye

(74) *Attorney, Agent, or Firm* — Antoinette M. Tease

(57) **CLAIM**

The ornamental design for an herb grinder for smoker, as shown and described.

DESCRIPTION

FIG. 1 is an exploded view of an herb grinder for smoker showing my new design;

FIG. 2 is a front top perspective view—open configuration thereof;

FIG. 3 is a rear bottom perspective view—open configuration thereof;

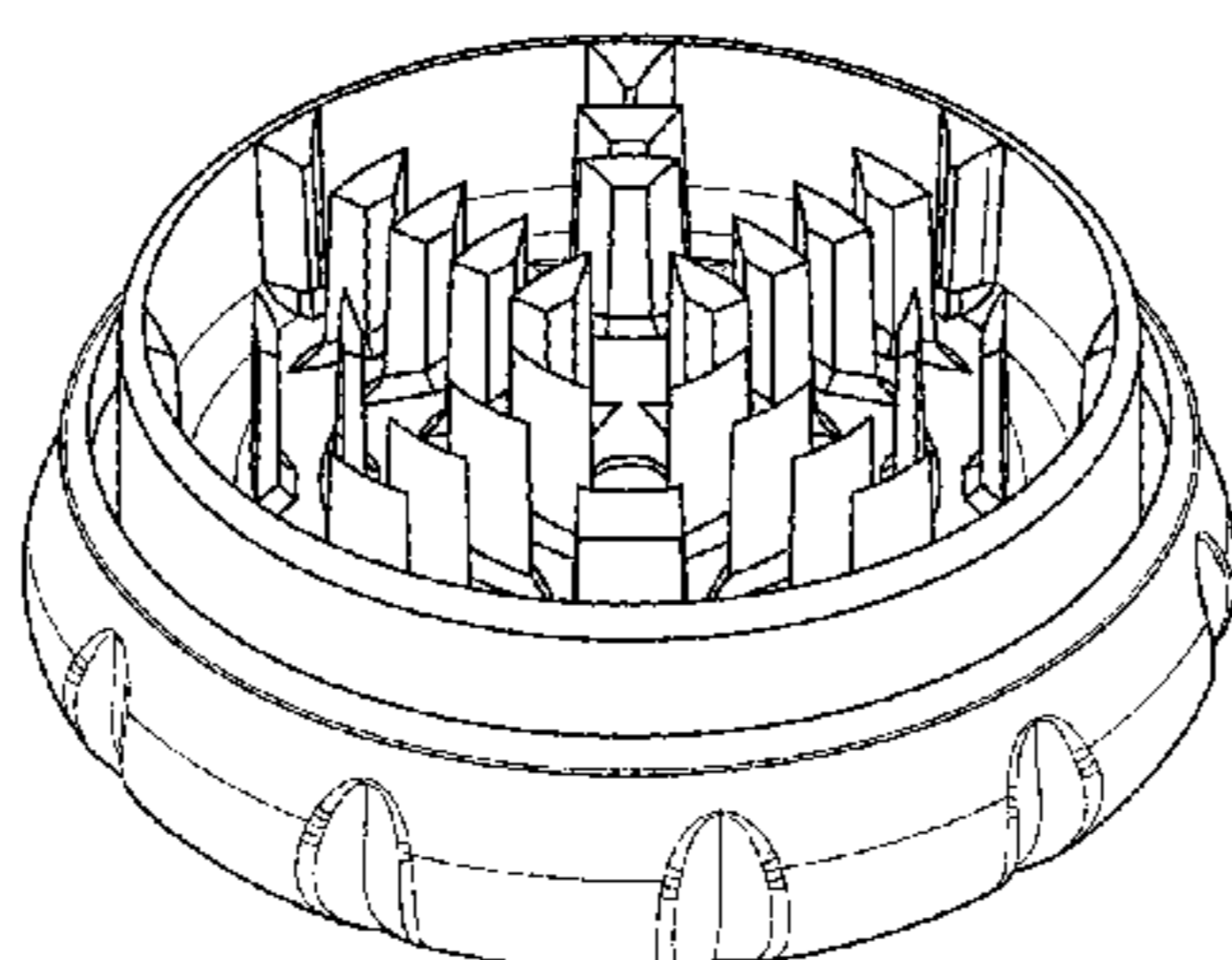
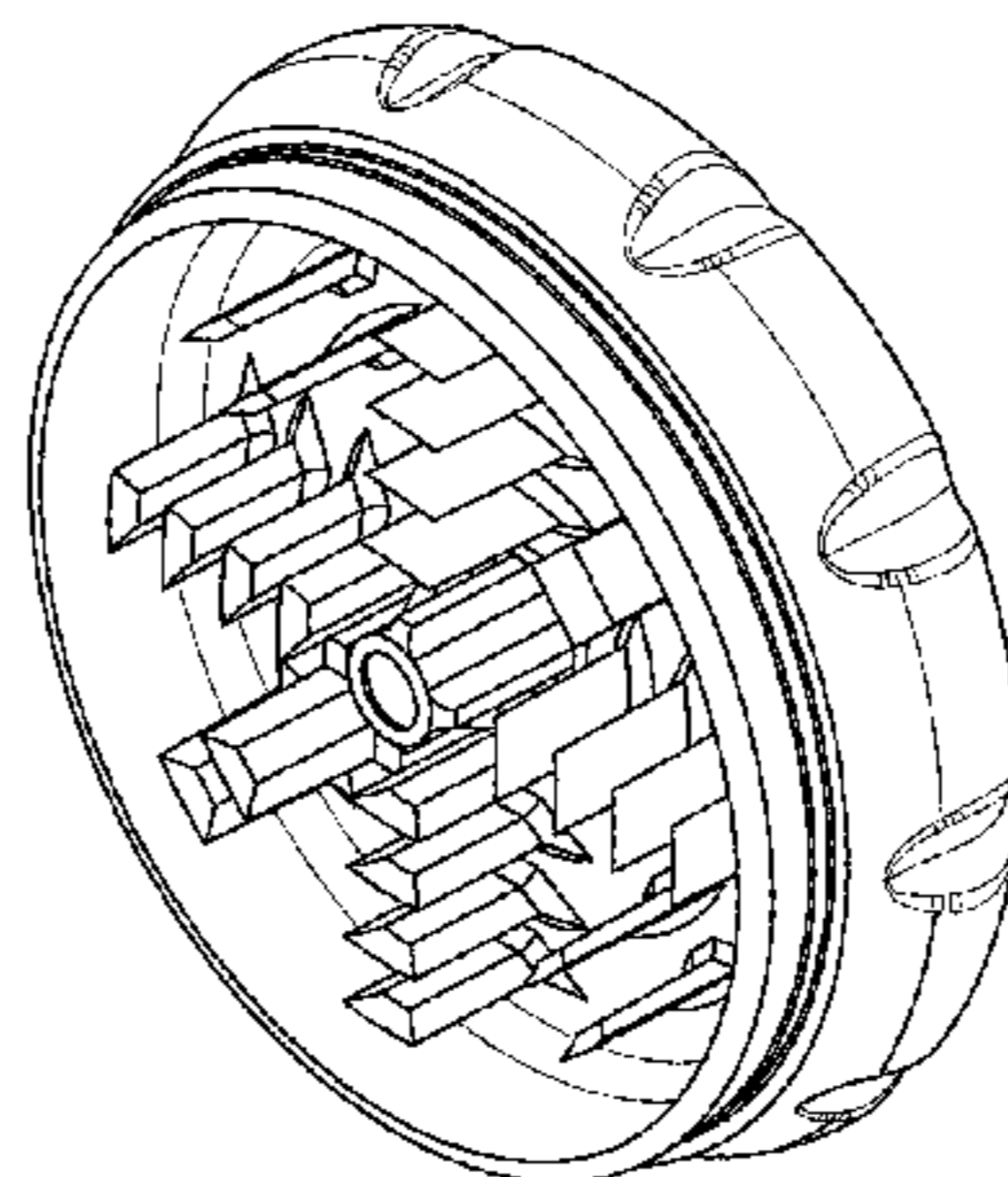
FIG. 4 is a top view—open configuration thereof;

FIG. 5 is a bottom view—open configuration thereof;

FIG. 6 is a front view—closed configuration thereof; and,

FIG. 7 is a side view—closed configuration thereof.

1 Claim, 4 Drawing Sheets



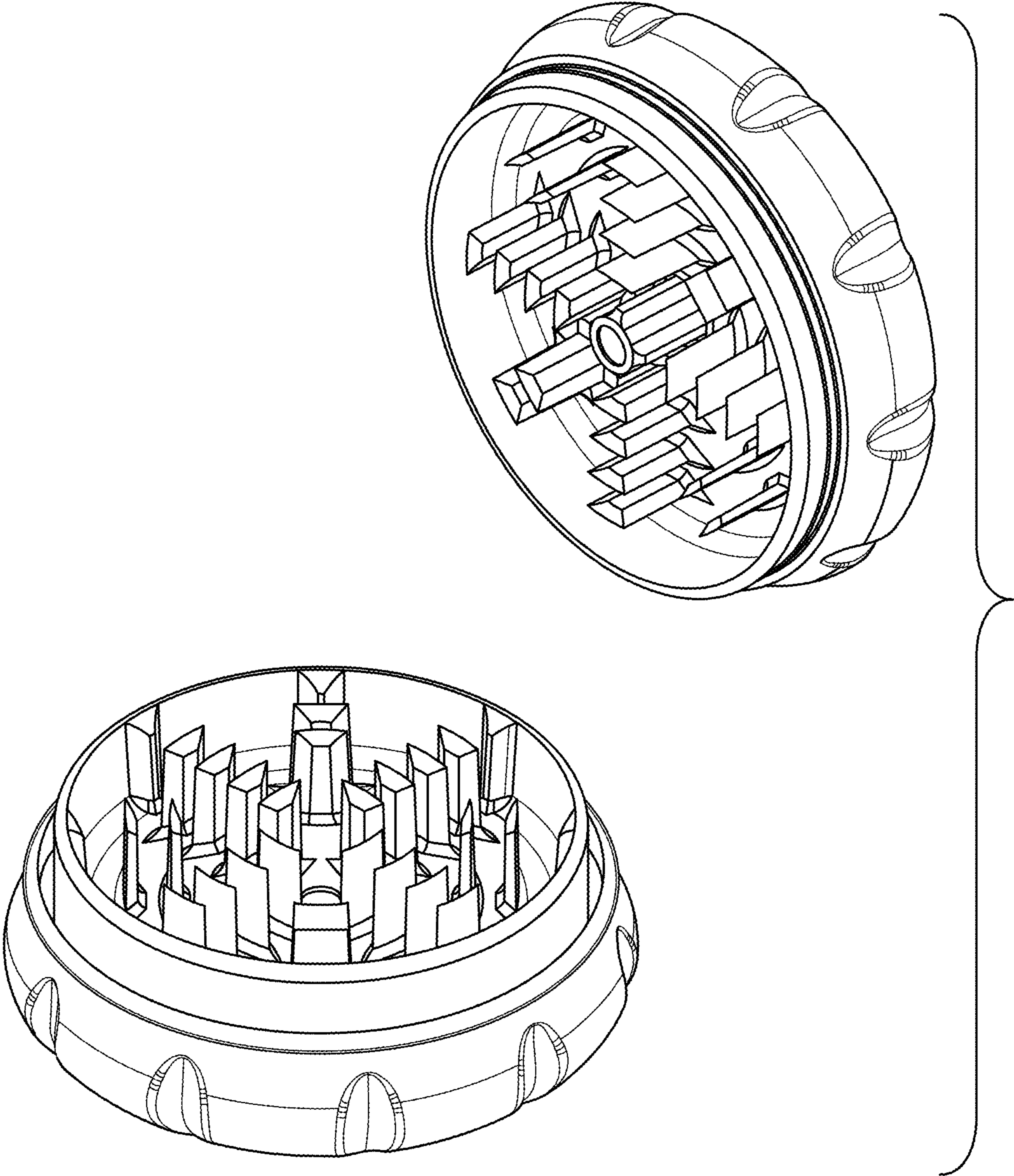


FIG. 1

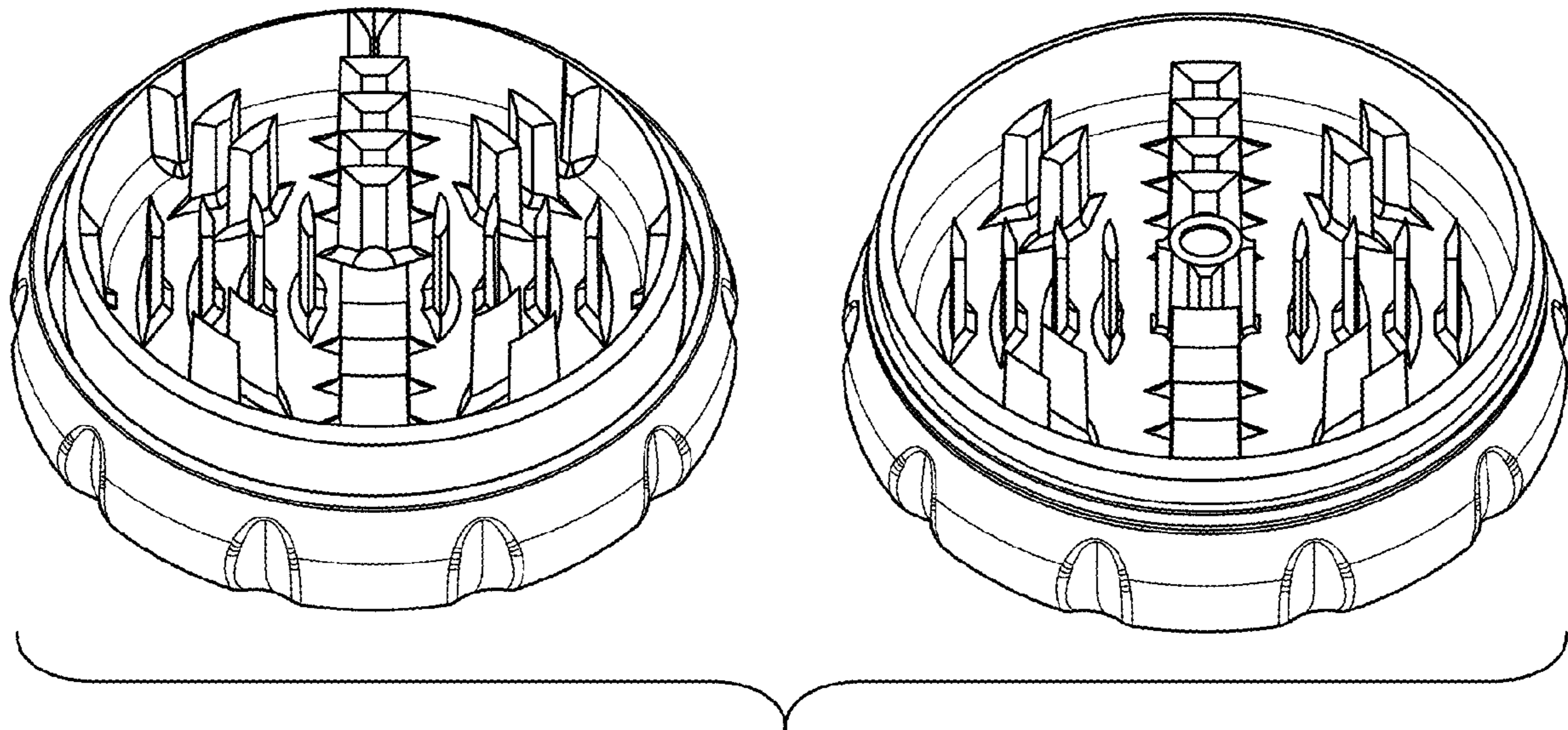


FIG. 2

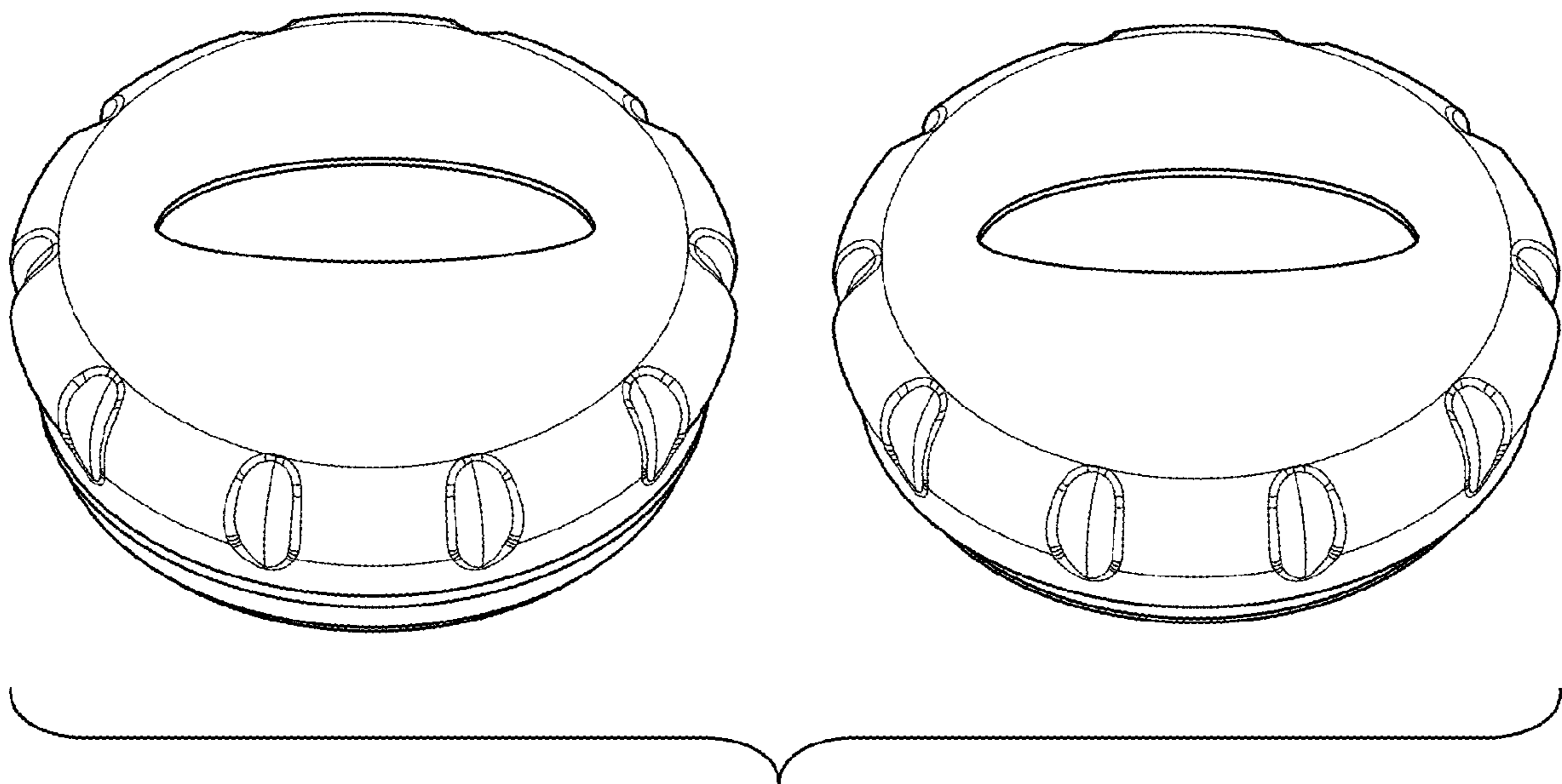


FIG. 3

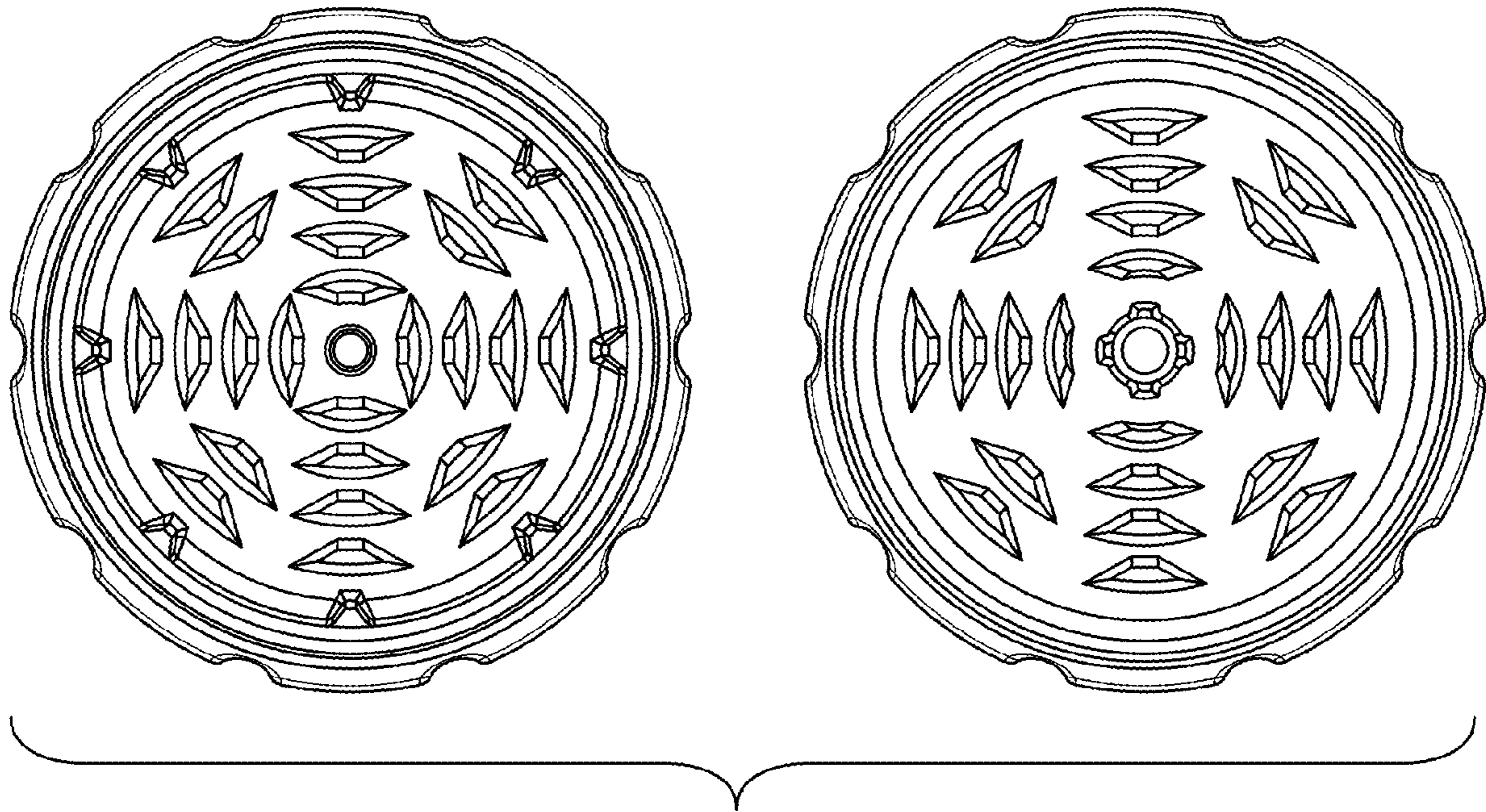


FIG. 4

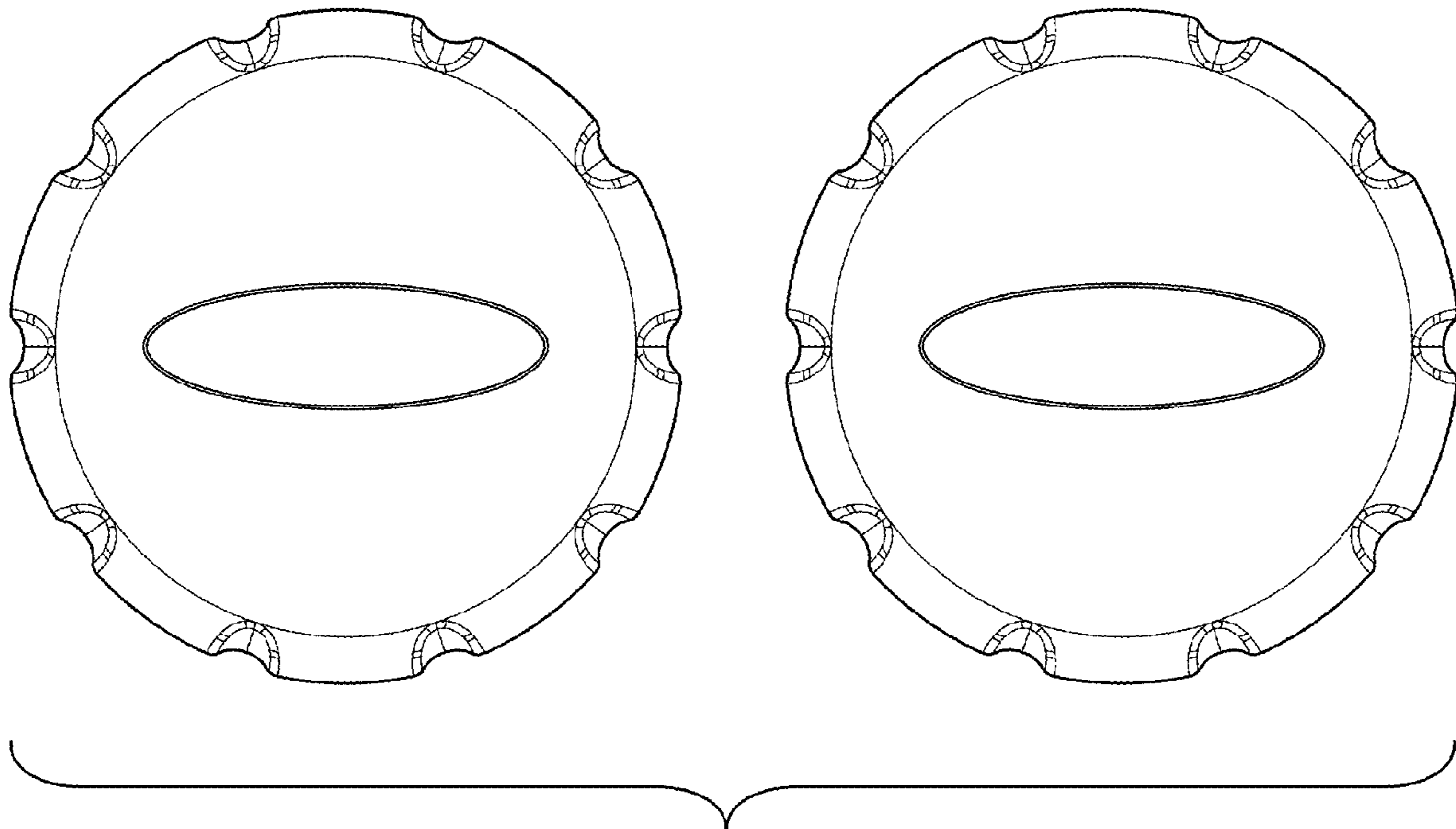


FIG. 5

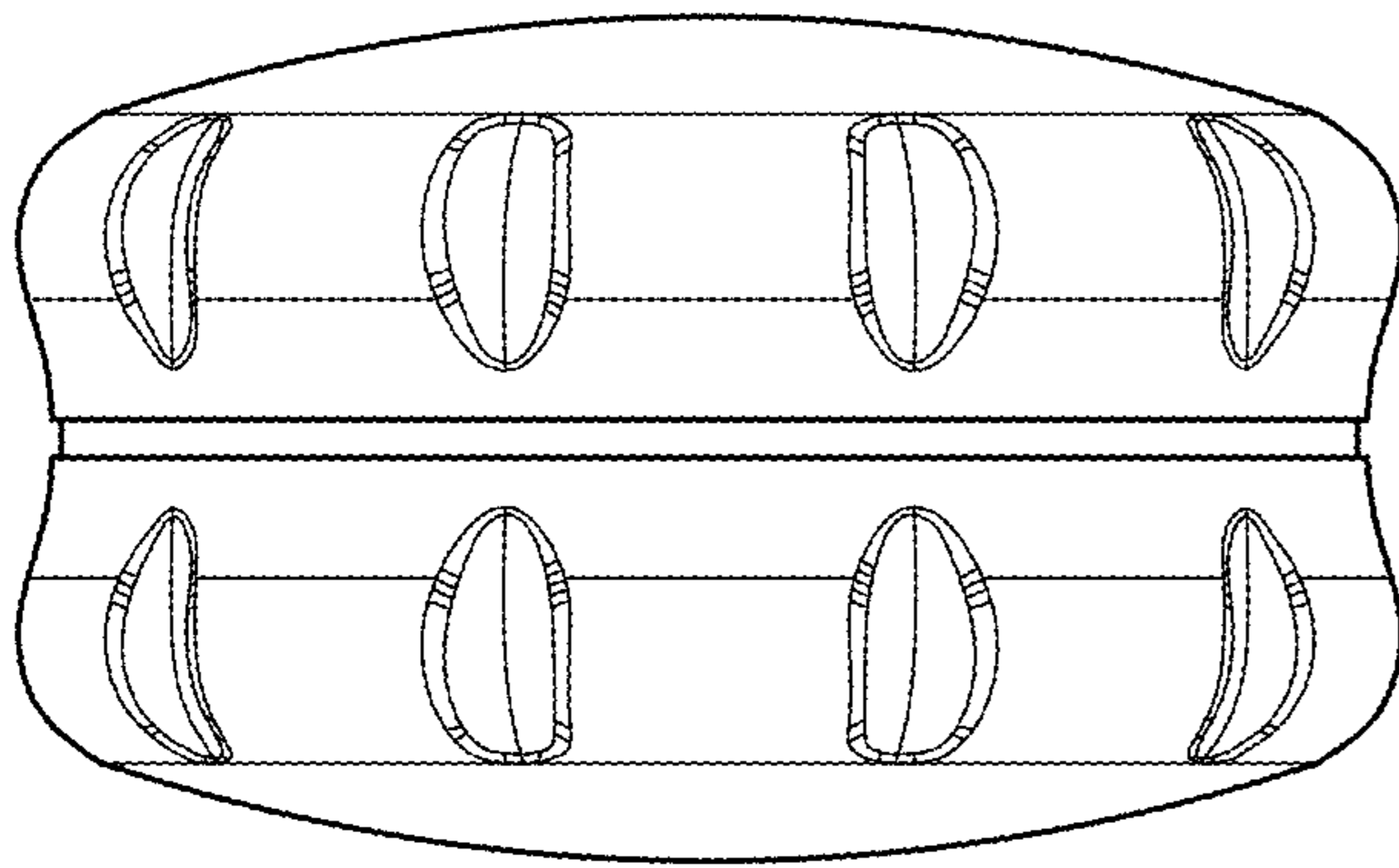


FIG. 6

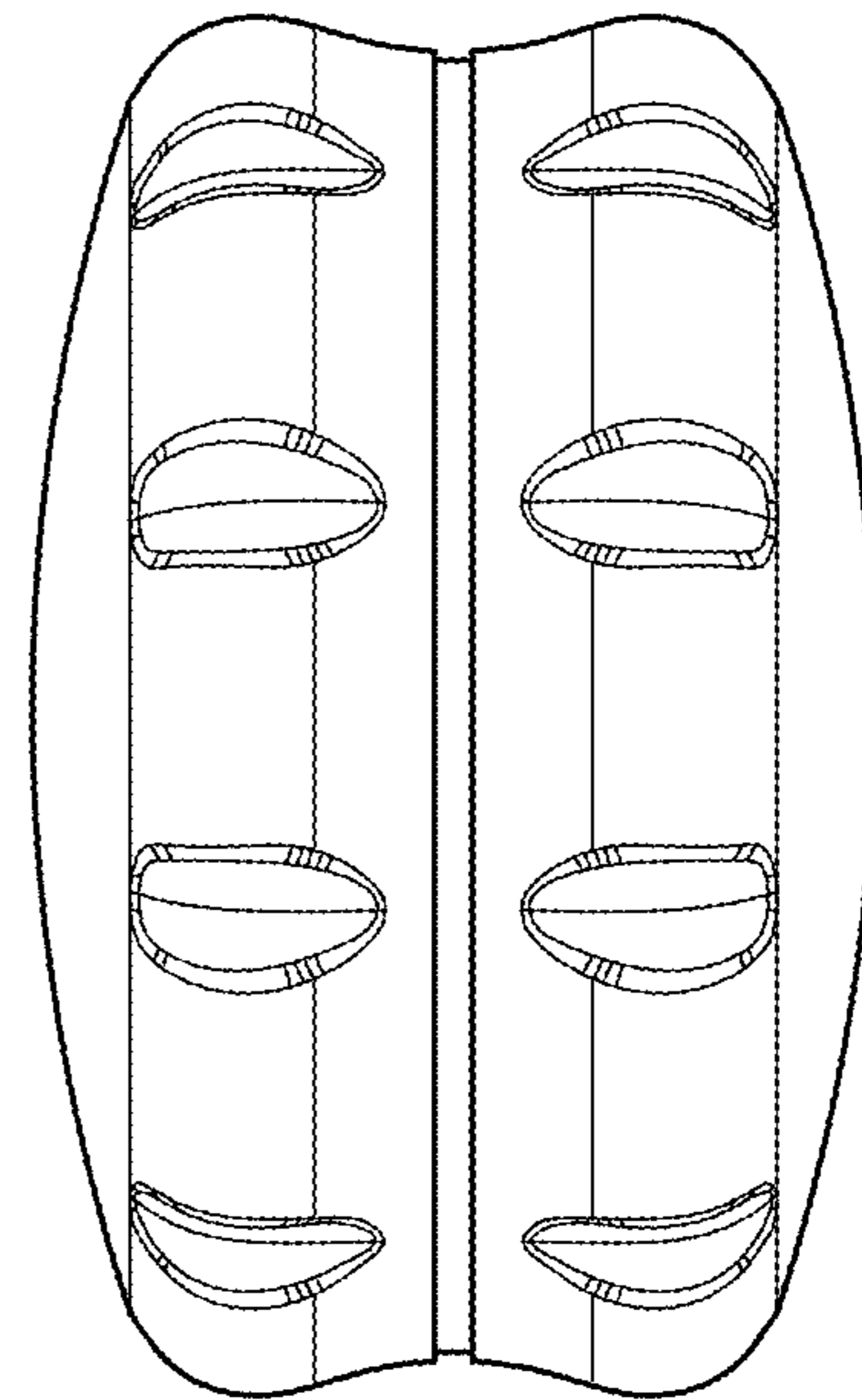


FIG. 7