



US00D950844S

(12) **United States Design Patent** (10) **Patent No.:** **US D950,844 S**
Patel et al. (45) **Date of Patent:** **** May 3, 2022**

(54) **CIGARETTE ROLLING TOOL SET**

(71) Applicants: **Ketan R. Patel**, Highland Park, IL
(US); **Kush Patel**, Highland Park, IL
(US)

(72) Inventors: **Ketan R. Patel**, Highland Park, IL
(US); **Kush Patel**, Highland Park, IL
(US)

(**) Term: **15 Years**

(21) Appl. No.: **29/718,746**

(22) Filed: **Dec. 27, 2019**

(51) **LOC (13) Cl.** **27-99**

(52) **U.S. Cl.**
USPC **D27/194**

(58) **Field of Classification Search**
USPC D27/194, 193, 172; D26/37, 38, 39, 46,
D26/67, 68, 93, 94, 105, 110
CPC A24C 5/44; A24C 5/40; A24C 5/42; A24C
5/47; A24C 5/425; A24C 5/00; A24C
5/002; F23D 14/26
See application file for complete search history.

(56) **References Cited**

U.S. PATENT DOCUMENTS

1,419,224 A * 6/1922 Clifford A24C 5/42
131/75
D403,446 S * 12/1998 Lynch D26/37

D527,126 S * 8/2006 Opolka D26/37
D602,198 S * 10/2009 Gomez D27/190
D646,007 S * 9/2011 Tompkin D26/46
D741,003 S * 10/2015 Von Schoultz D27/194
D773,106 S * 11/2016 Feit D26/110
D774,248 S * 12/2016 Jordan D27/194
D875,291 S * 2/2020 Liu D26/67

* cited by examiner

Primary Examiner — Rebecca Tsehaye

(74) *Attorney, Agent, or Firm* — The Concept Law
Group, PA; Scott D. Smiley; Scott M. Garrett

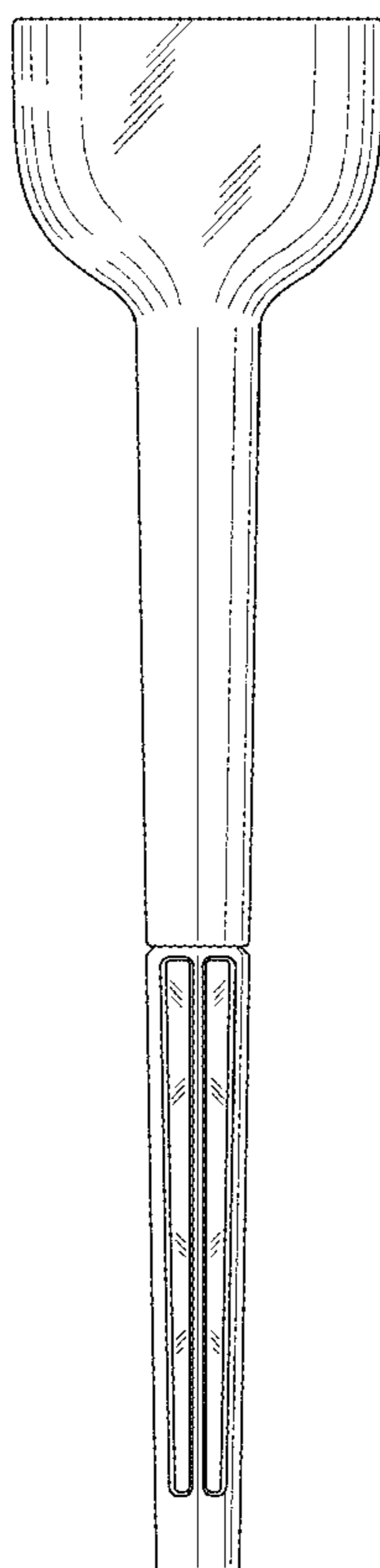
(57) **CLAIM**

The ornamental design for a cigarette rolling tool set, as shown and described.

DESCRIPTION

FIG. 1 is a front elevational view of a cigarette rolling tool set, with the cigarette rolling tool set assembled, wherein the back elevation view is identical to the front elevational view; FIG. 2 is a top plan view thereof, wherein the opposing side elevational view is identical to the view shown here; FIG. 3 is a top plan view thereof; FIG. 4 is a front, side, and top perspective view thereof; and, FIG. 5 is a front elevational view of the cigarette rolling tool set, with the tools shown disassembled. The broken lines shown in the circular features of FIG. 3, the double line feature of FIG. 4, and the double oval features of FIG. 5 form no part of the claimed design.

1 Claim, 5 Drawing Sheets



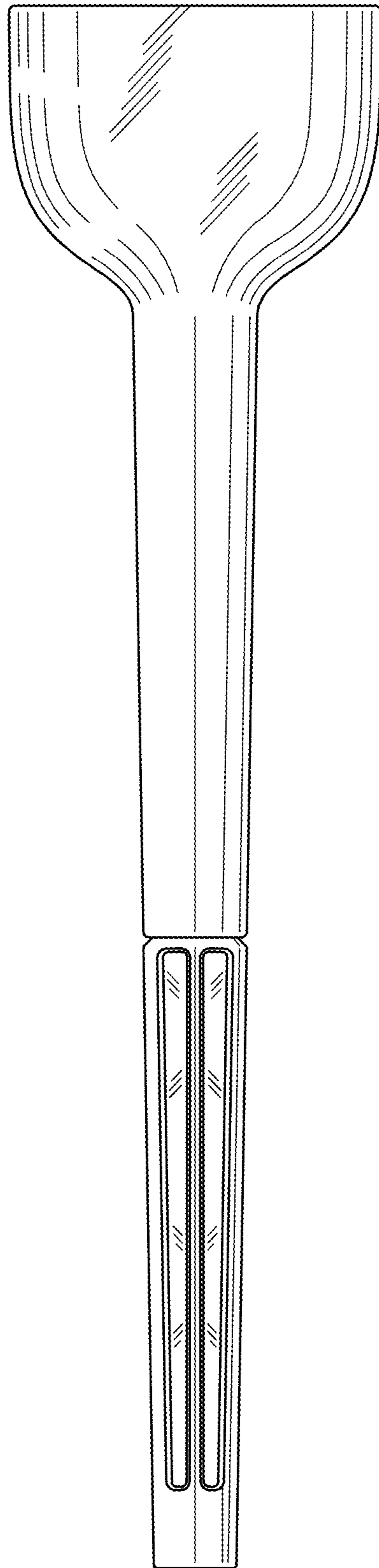


FIG.1

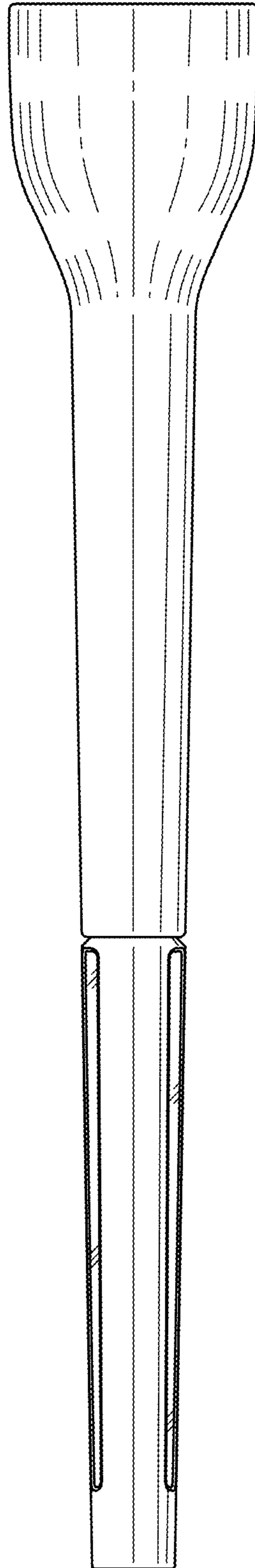


FIG.2

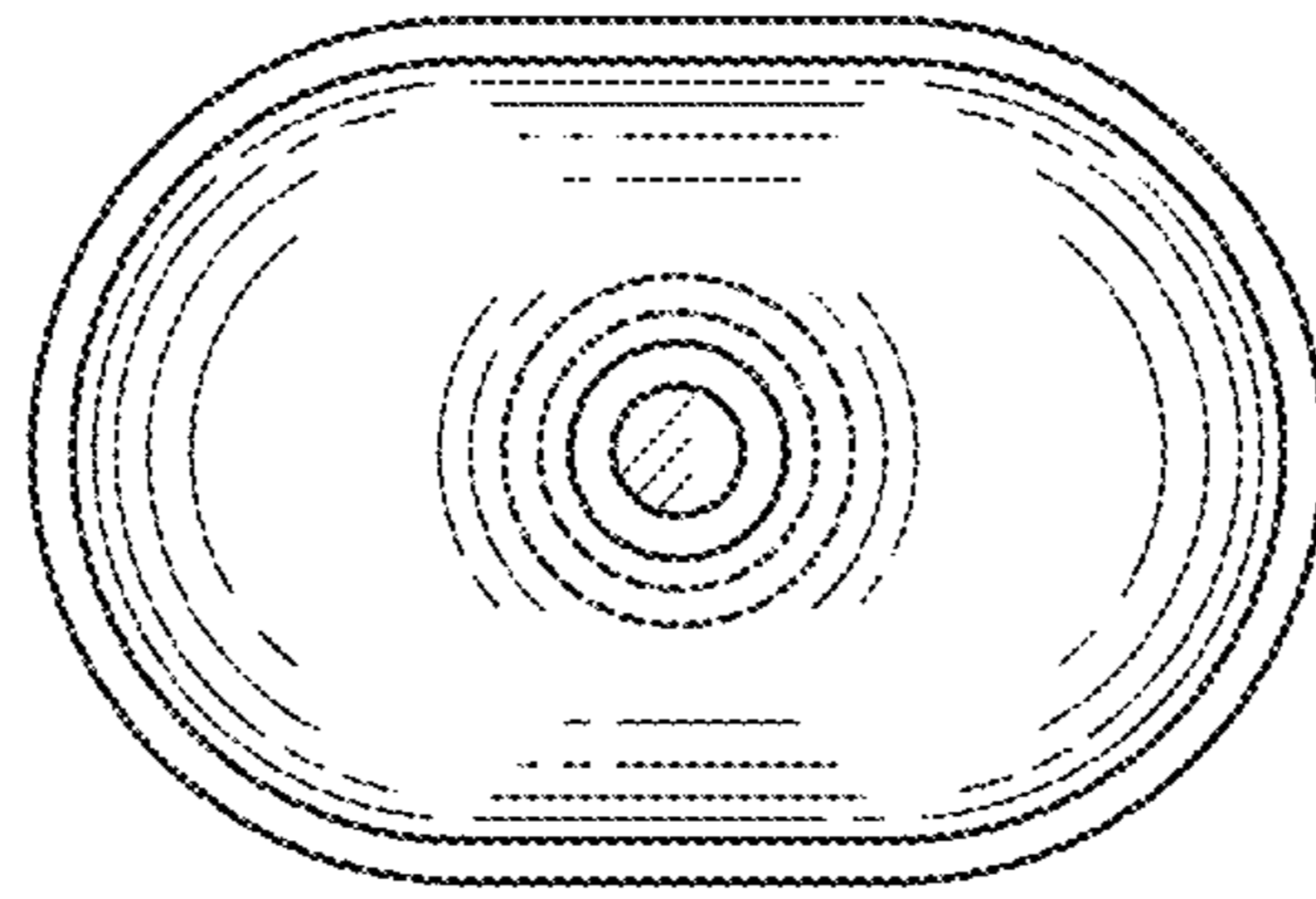


FIG.3

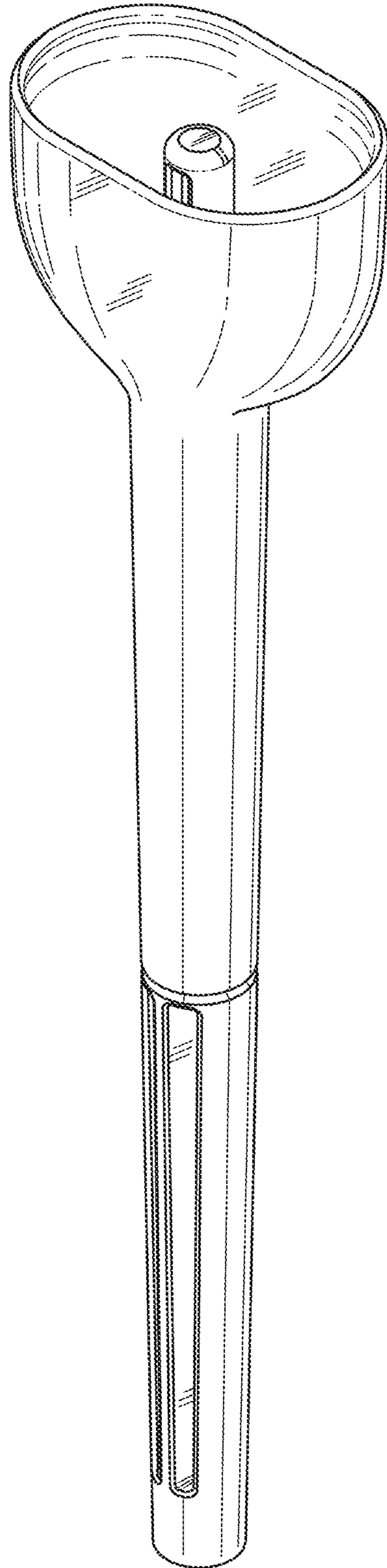


FIG.4

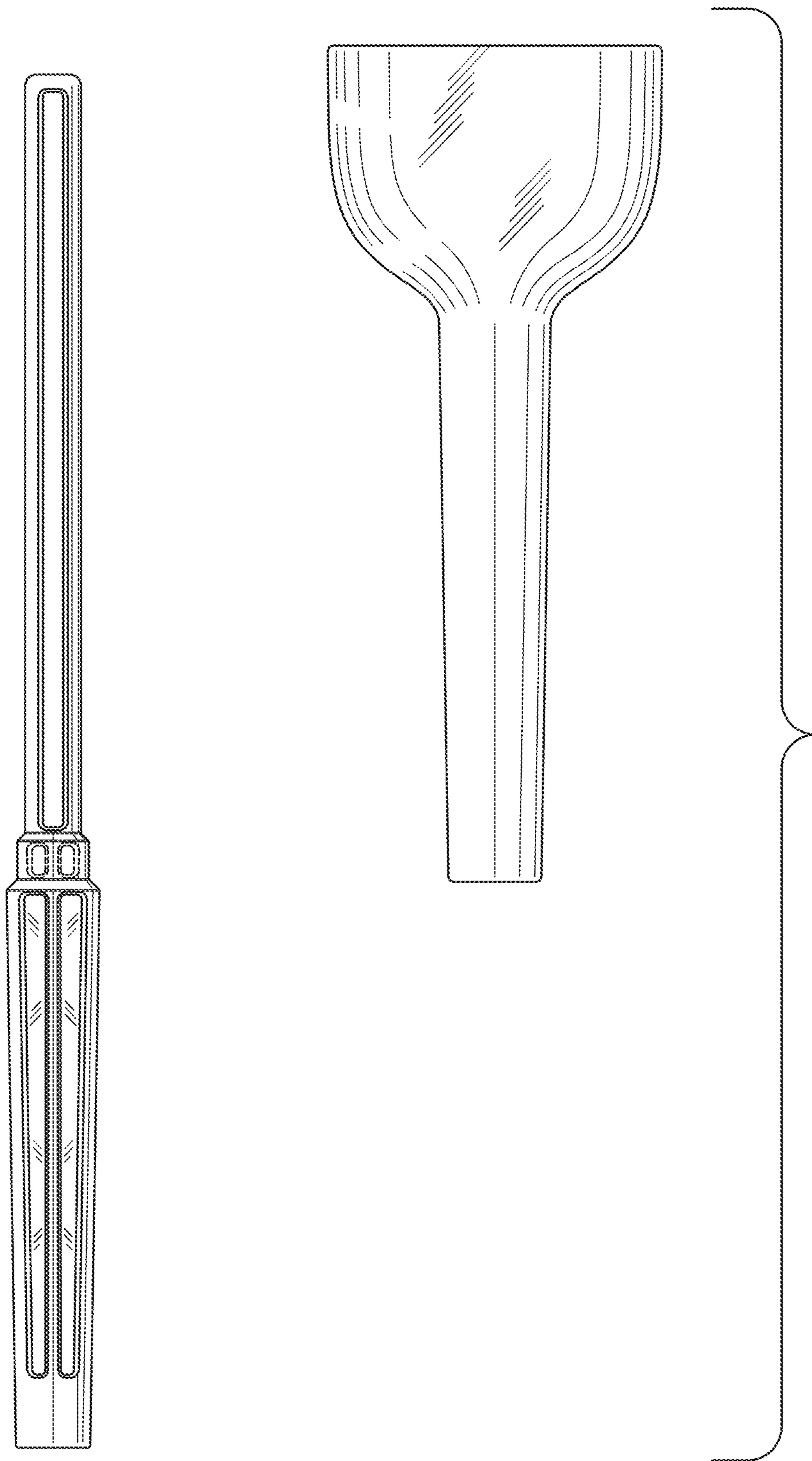


FIG.5